

[54] TOY MICROSCOPE

D. 273,685 5/1984 Yamada D16/131
D. 287,520 12/1986 Yoke D21/109
4,192,580 3/1980 Meyer D21/109

[75] Inventors: Michael W. Nuttal, Carson, Calif.;
Toshinori Tabata, Tokyo, Japan

[73] Assignee: Tomy Kogyo Co., Inc., Tokyo, Japan

[**] Term: 14 Years

[21] Appl. No.: 857,787

[22] Filed: Apr. 25, 1986

[30] Foreign Application Priority Data

Oct. 25, 1985 [JP] Japan 60-44877

[52] U.S. Cl. D21/109

[58] Field of Search D21/109, 111; D16/131;
350/238; 446/472, 491, 479, 219

[56] References Cited

U.S. PATENT DOCUMENTS

D. 161,976 2/1951 Vaughan D16/131

OTHER PUBLICATIONS

Sears Specialog, 1982, p. 560, Item #4, Microscope.

Primary Examiner—Charles A. Rademaker

Attorney, Agent, or Firm—Staas & Halsey

[57] CLAIM

The ornamental design for a toy microscope, as shown.

DESCRIPTION

FIG. 1 is a front elevational view of a toy microscope showing our new design;

FIG. 2 is a rear elevational view thereof;

FIG. 3 is a right side elevational view thereof;

FIG. 4 is a left side elevational view thereof;

FIG. 5 is a top plan view thereof; and

FIG. 6 is a bottom plan view thereof.

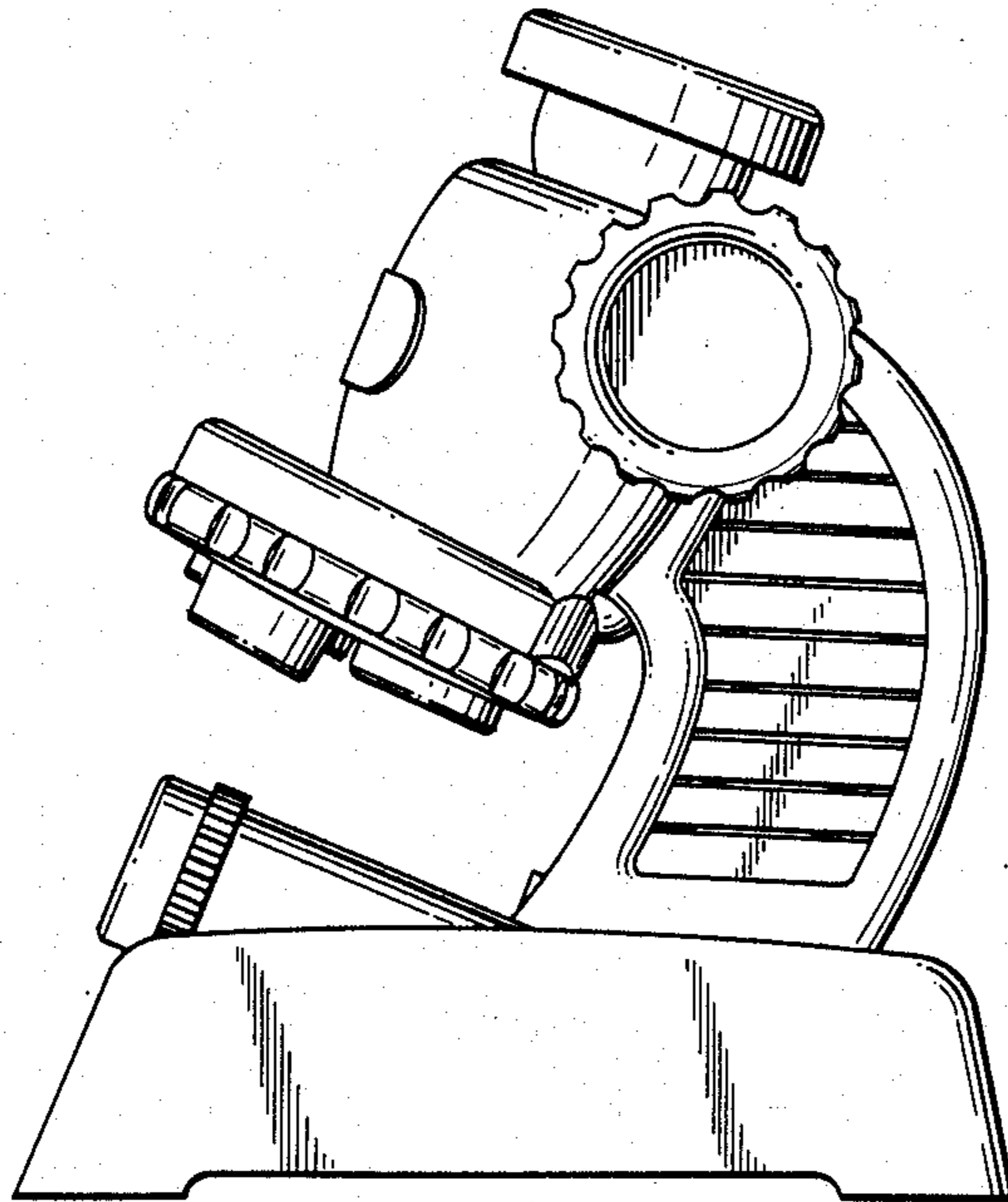


FIG. 2.

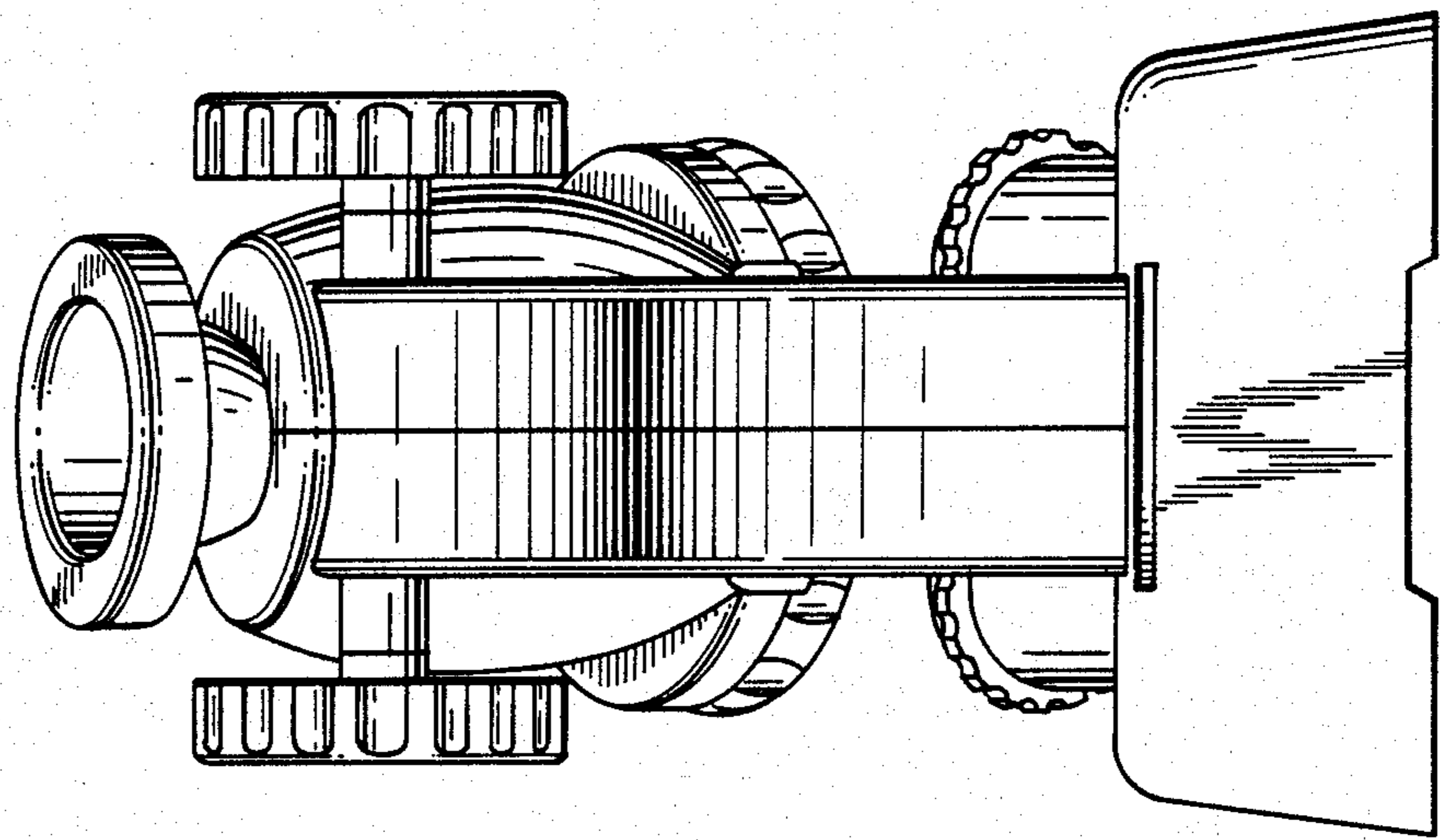


FIG. 1.

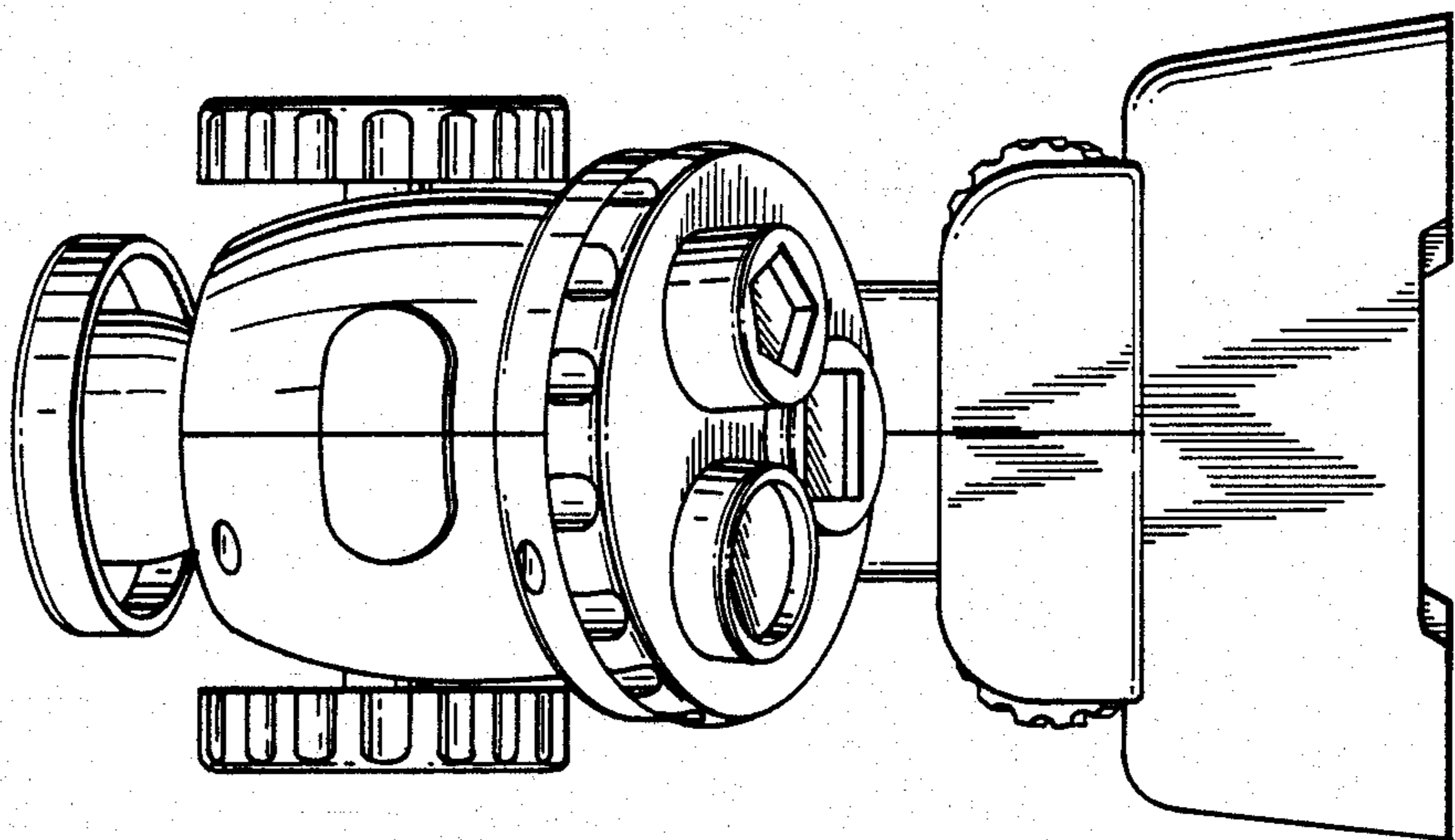


FIG. 4.

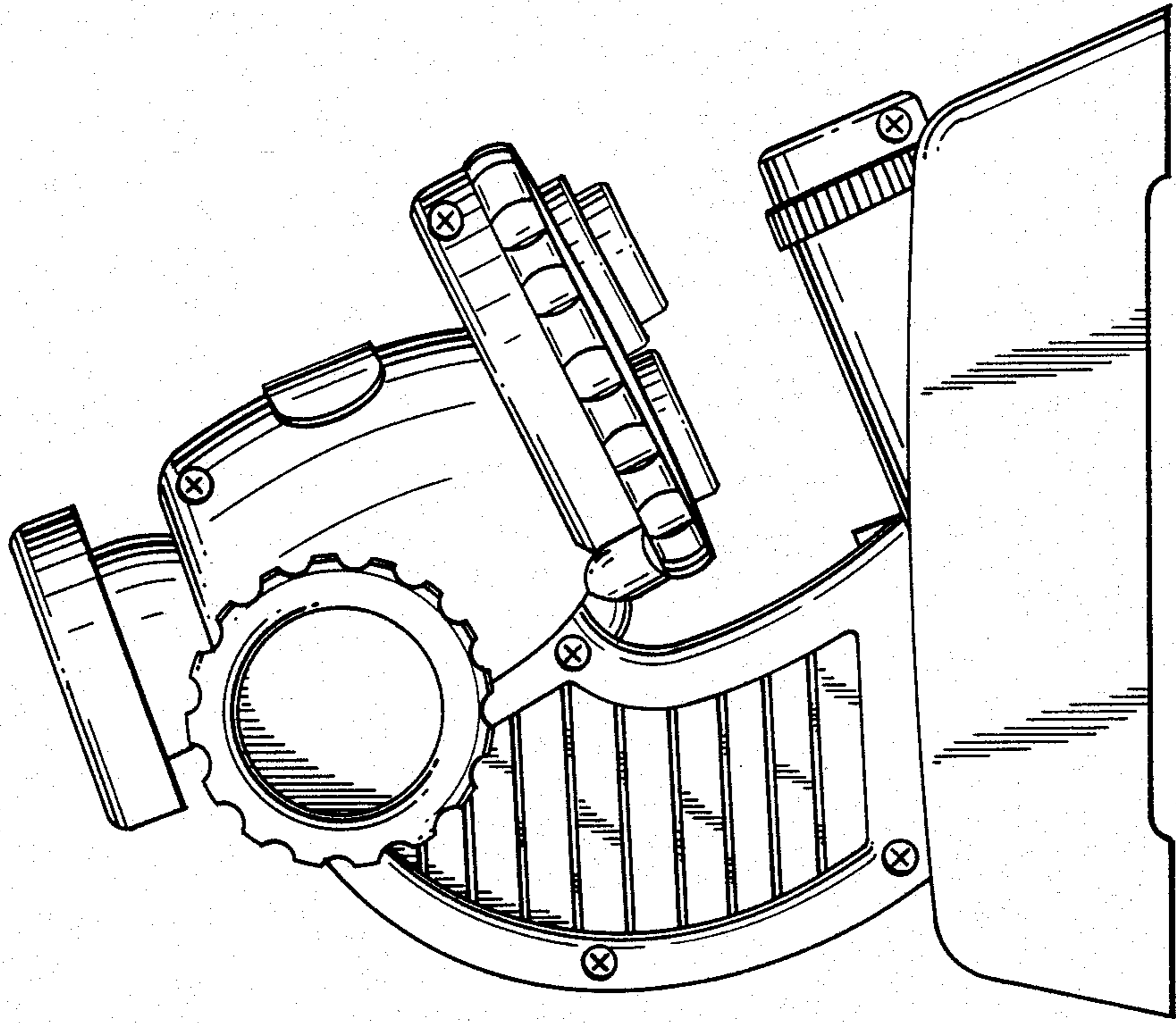


FIG. 3.

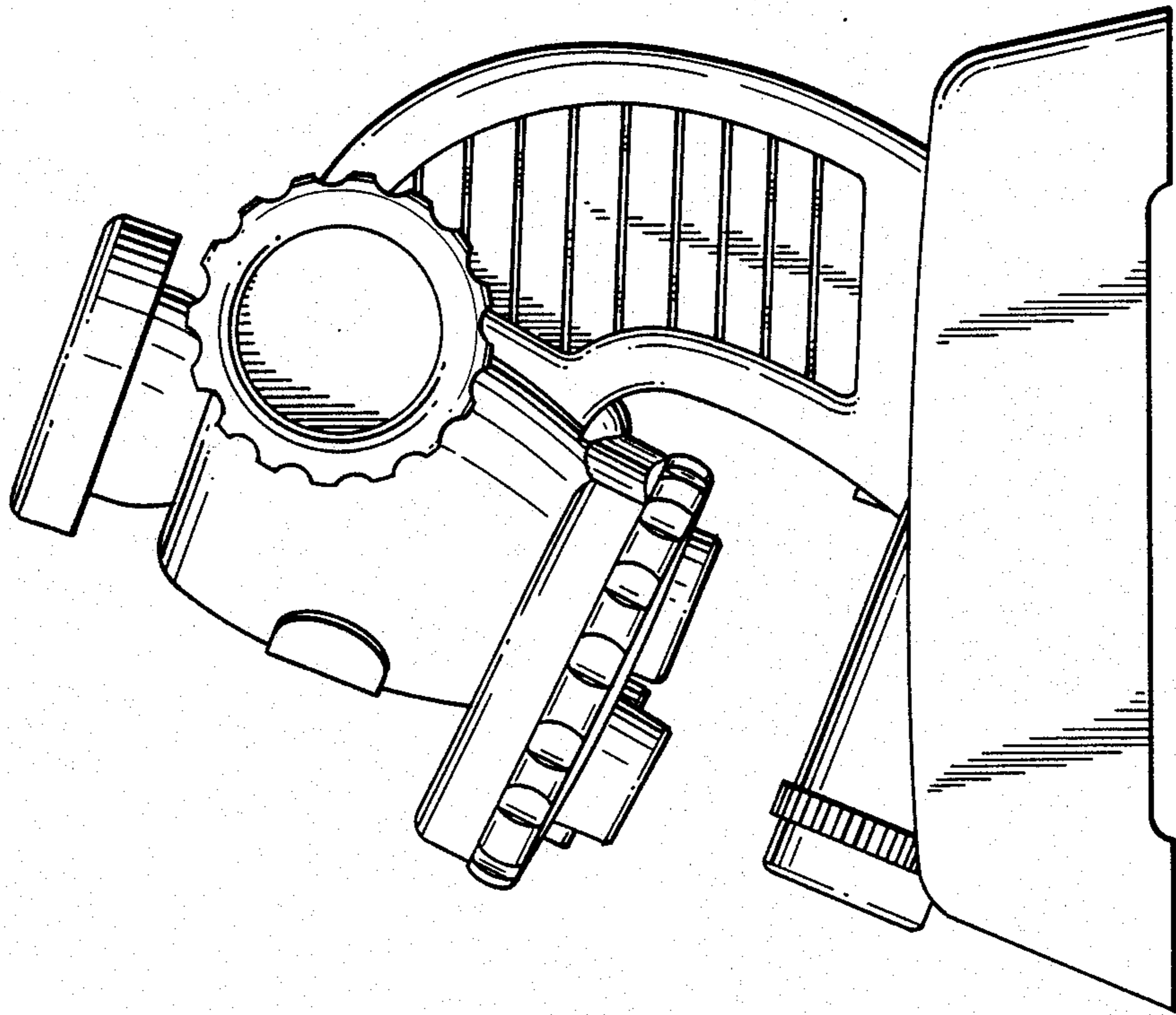


FIG. 5.

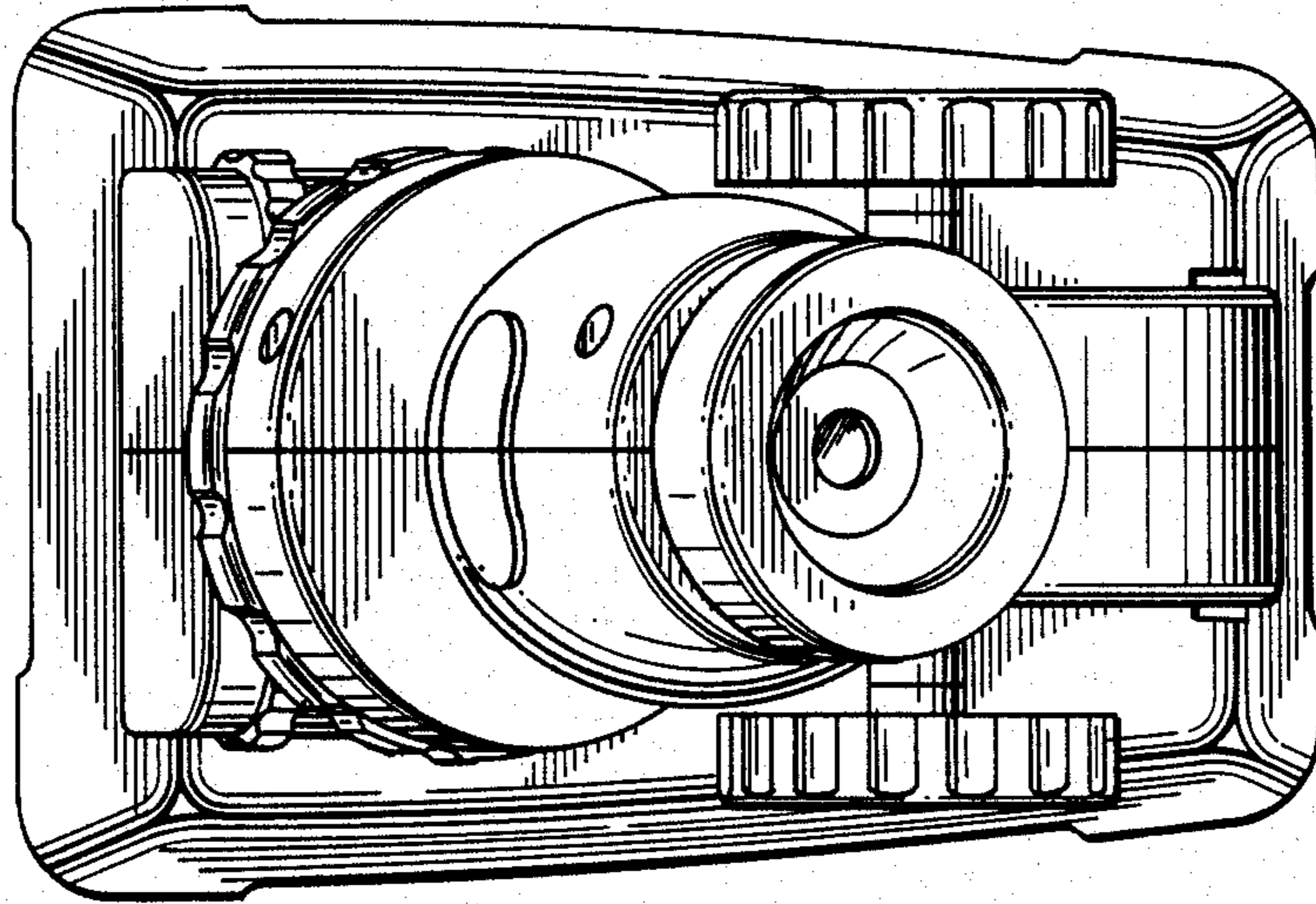


FIG. 6.

