

[54] MOTOR-DRIVEN SCREW DRIVER

[75] Inventors: Kazuyoshi Yonesawa; Yonosuke Iwai, both of Kadoma, Japan

[73] Assignee: Matsushita Electric Works, Japan

[**] Term: 14 Years

[21] Appl. No.: 885,871

[22] Filed: May 19, 1986

[30] Foreign Application Priority Data

Dec. 12, 1985 [JP] Japan 60-51807

[52] U.S. Cl. D8/68; D8/61

[58] Field of Search D8/61-70; 81/57.11, 57.13, 57.14; 310/50; 173/170; 51/170 R, 170 PT

[56] References Cited

U.S. PATENT DOCUMENTS

- D. 238,970 2/1976 Baum D8/68
- 2,618,399 11/1952 Stratman et al. 51/170 R
- 4,448,098 5/1984 Totsu 81/57.11

OTHER PUBLICATIONS

D. I. Y. Retailing Aug. 1988, p. 129 Wen's Cordless Driver Model 228.

Primary Examiner—Bruce W. Dunkins
Assistant Examiner—Clare E. Heflin
Attorney, Agent, or Firm—Leydig, Voit & Mayer

[57] CLAIM

The ornamental design for a motor-driven screw driver, as shown and described.

DESCRIPTION

FIG. 1 is a front elevational view of a motor-driven screw driver showing our new design;
 FIG. 2 is a rear elevational view thereof;
 FIG. 3 is a top plan view thereof;
 FIG. 4 is a bottom plan view thereof;
 FIG. 5 is a left side elevational view thereof;
 FIG. 6 is a right side elevational view thereof;
 FIG. 7 is a sectional view thereof taken along the line 7—7 in FIG. 5;
 FIG. 8 is a sectional view thereof taken along the line 8—8 in FIG. 1.

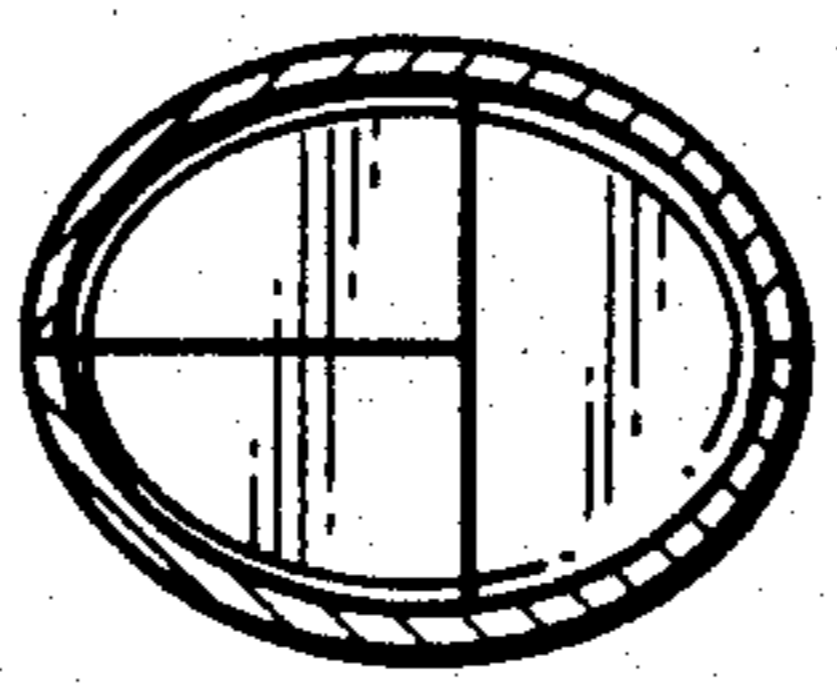
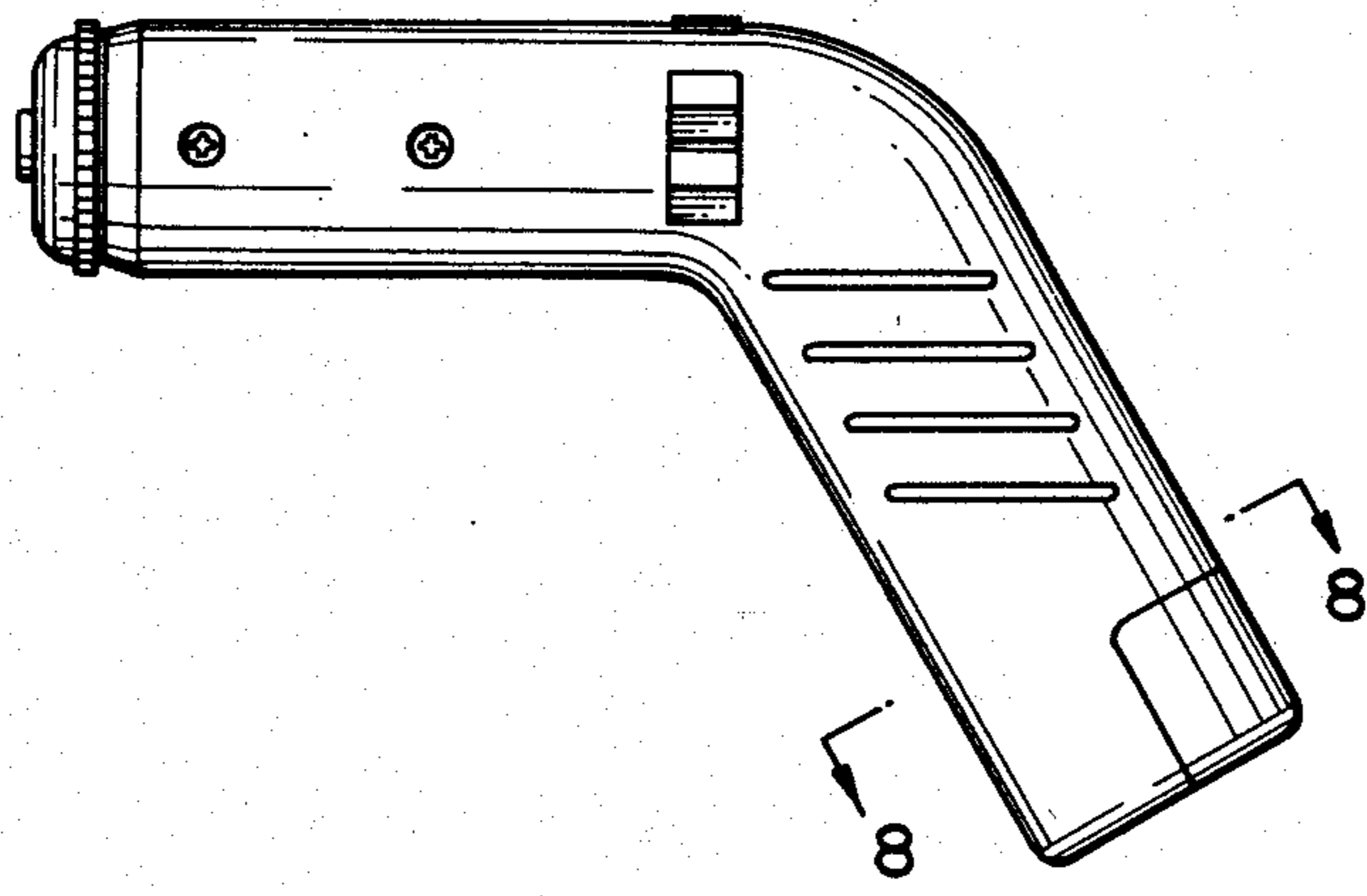


Fig. 1

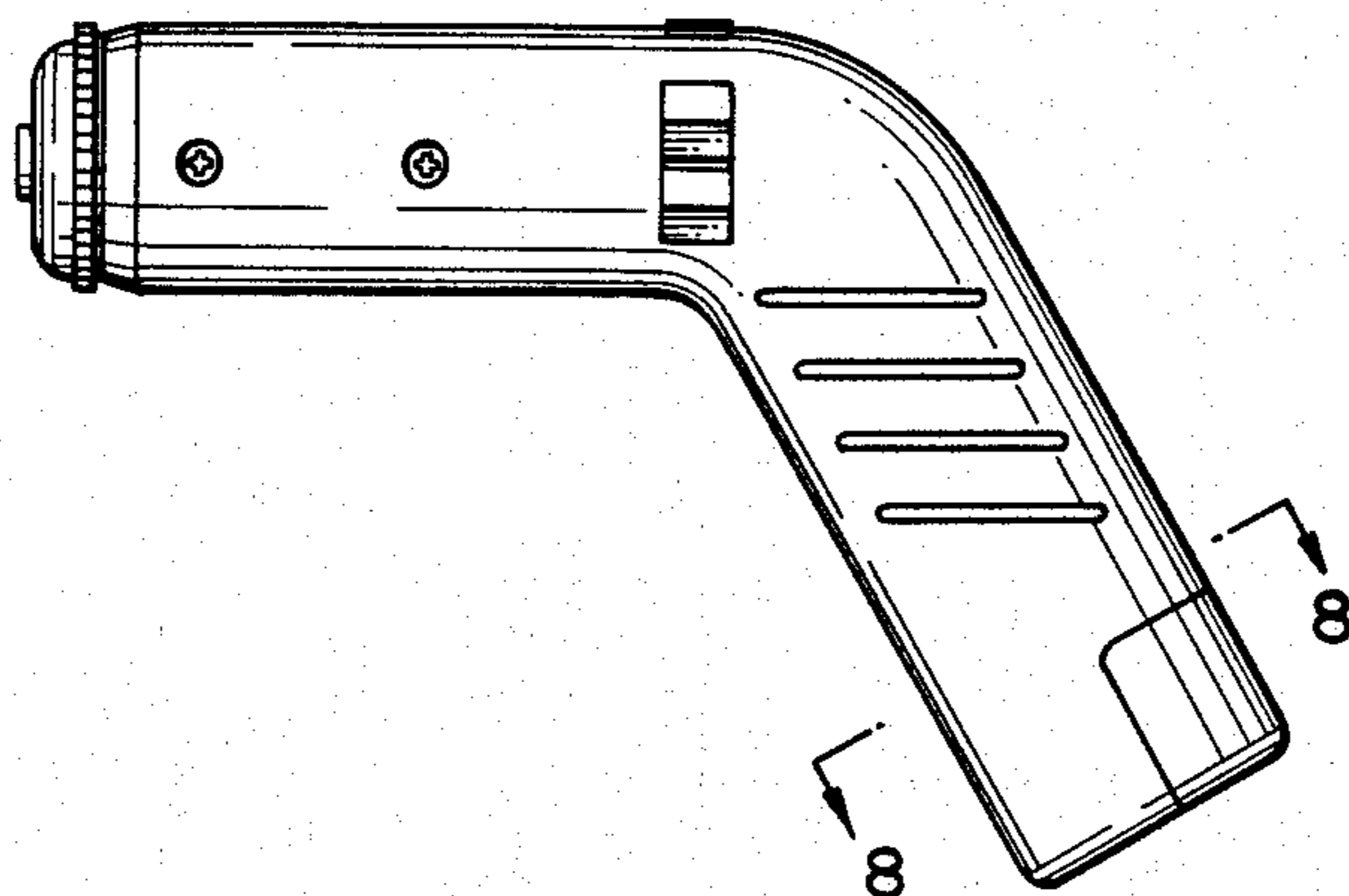


Fig. 2

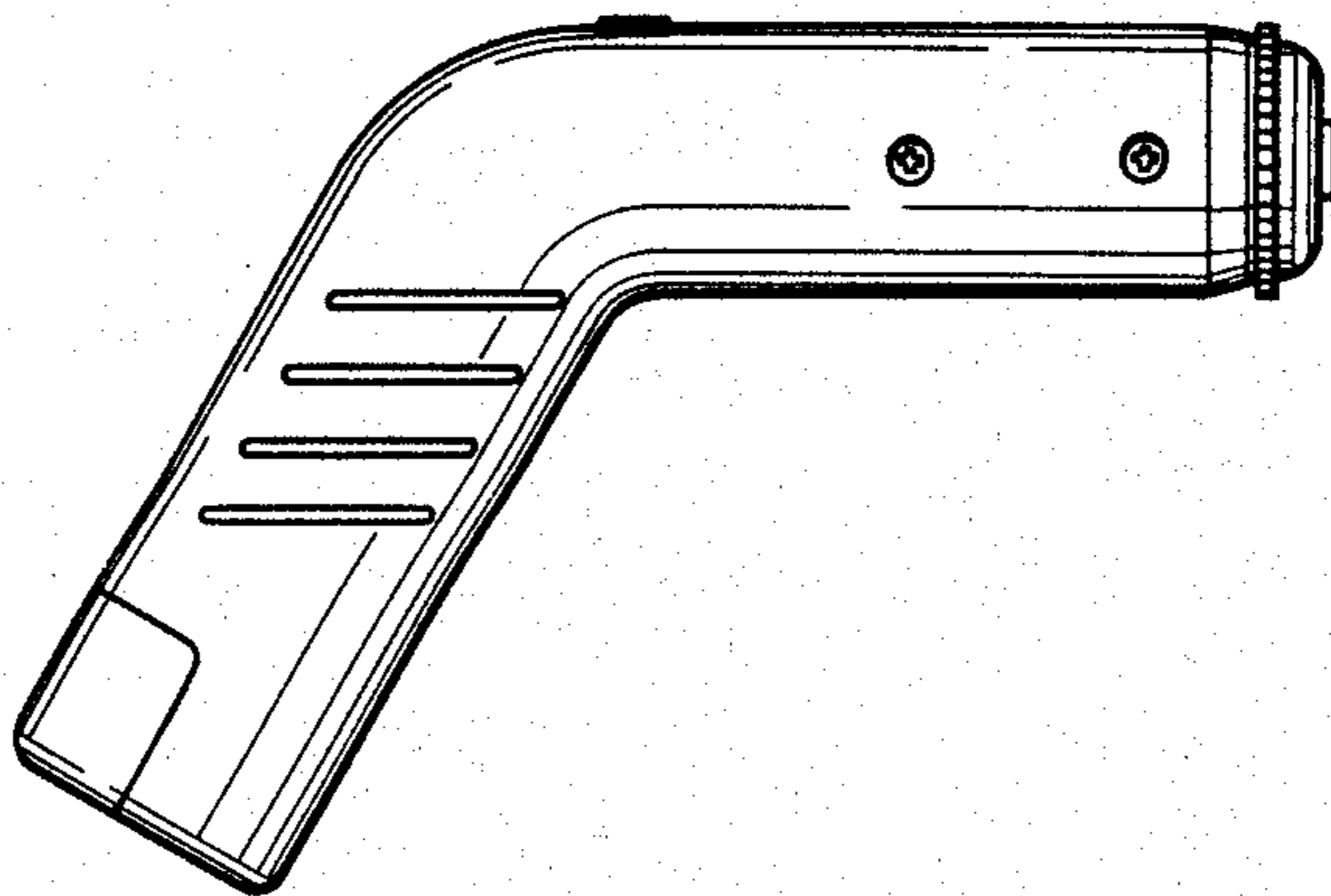


Fig. 3

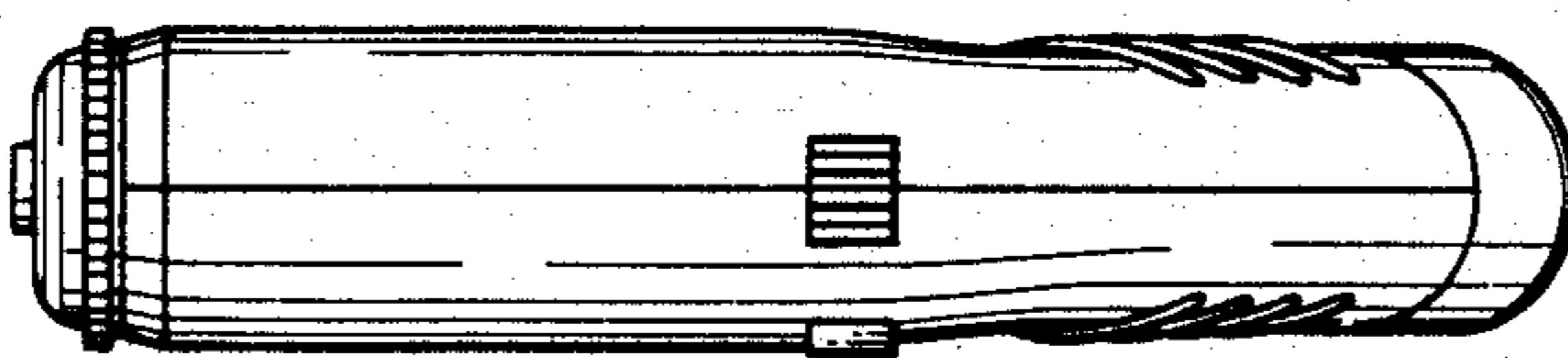


Fig. 4

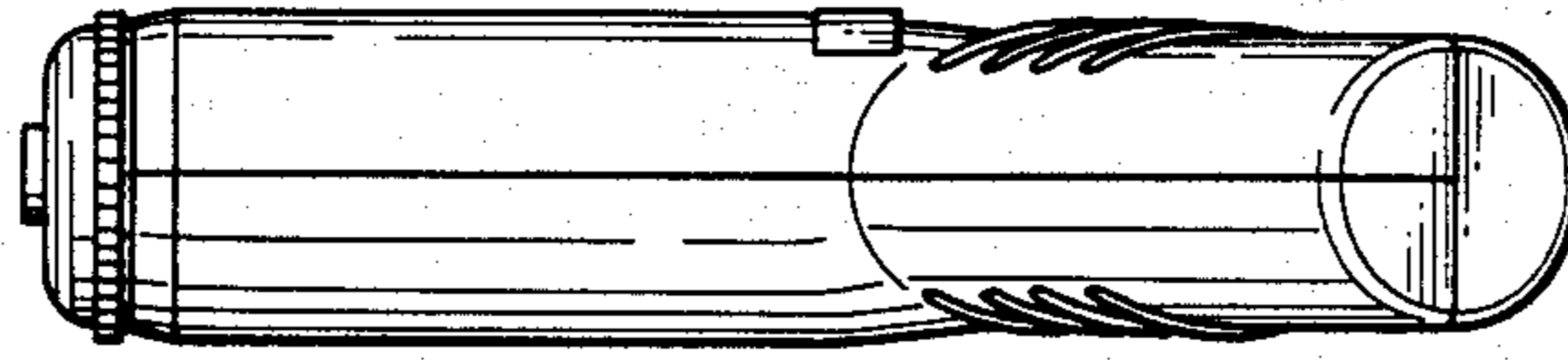


Fig. 5

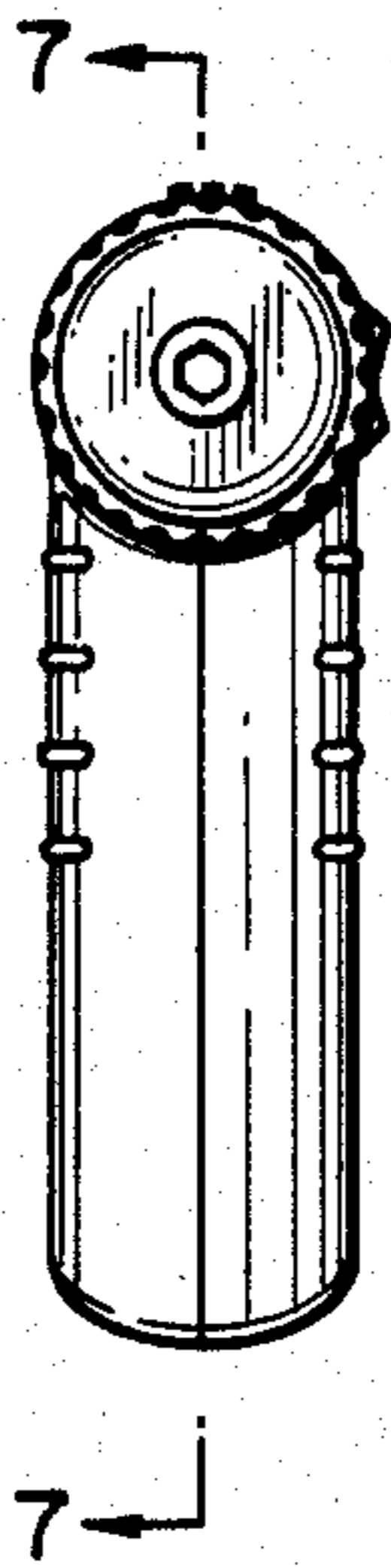


Fig. 6

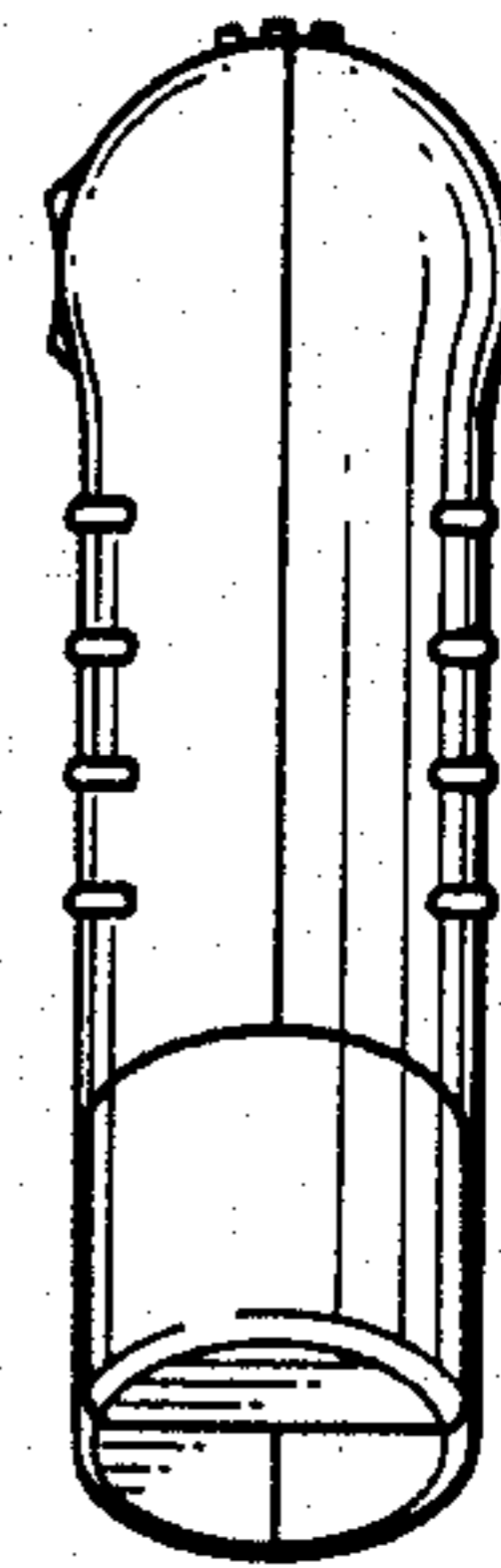


Fig. 7

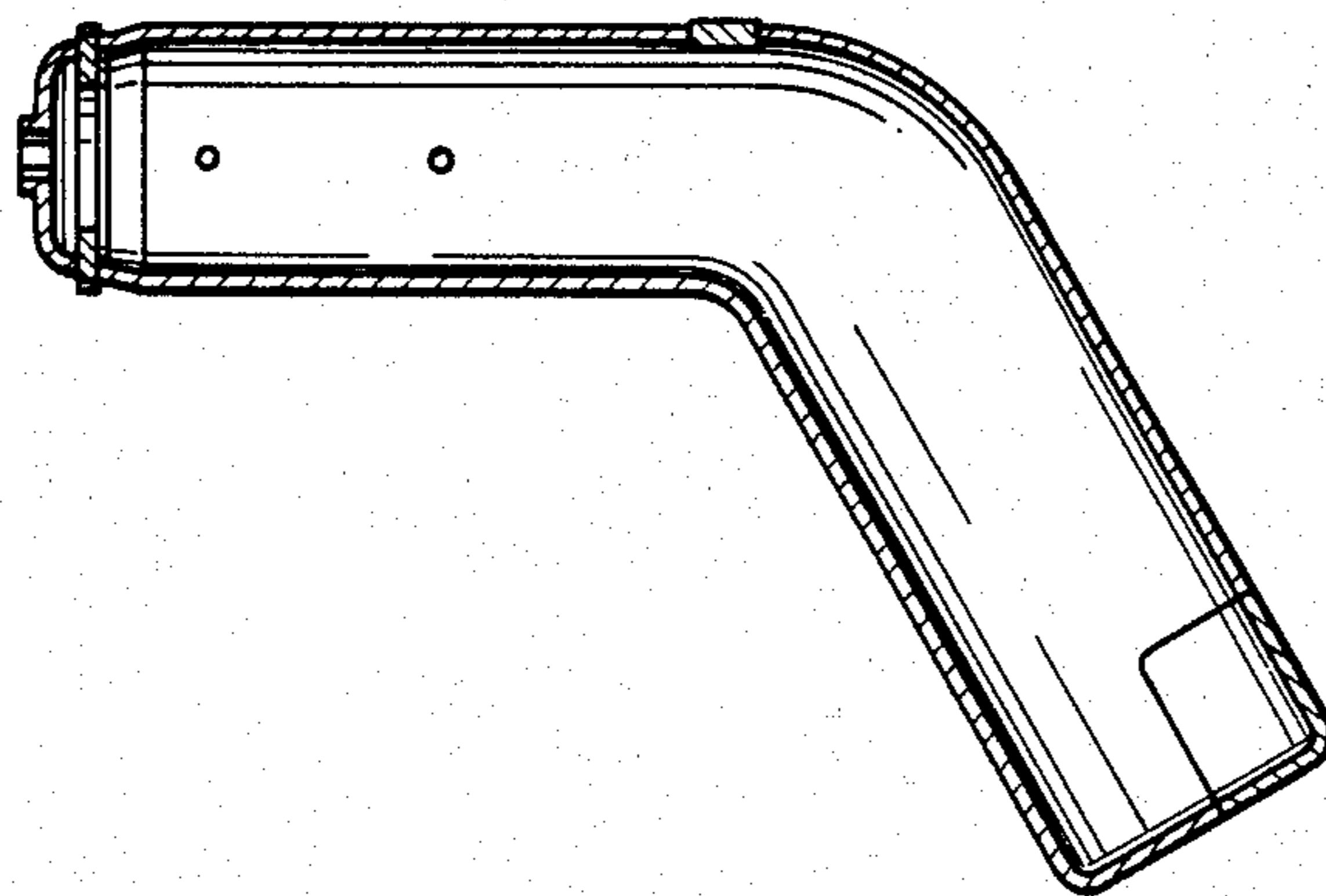


Fig. 8

