

[54] BALANCE TOY WALKER

[76] Inventor: Oliver Riggs, Rte. 1, Box 398, Forrest City, Ark. 72335

[**] Term: 14 Years

[21] Appl. No.: 862,439

[22] Filed: May 8, 1986

[52] U.S. Cl. D21/66; D21/227

[58] Field of Search D21/59, 66, 80, 81, D21/227; 280/87.04 R, 87.04 A

[56] References Cited

U.S. PATENT DOCUMENTS

D. 250,492 12/1978 Kish D21/227

D. 281,260 11/1985 Smith D21/66
3,856,321 12/1974 Solymosi 280/87.04 A
4,133,548 1/1979 Smith D21/71

Primary Examiner—Charles A. Rademaker
Attorney, Agent, or Firm—Terry M. Gernstein

[57] CLAIM

The ornamental design for a balance toy walker, as shown and described.

DESCRIPTION

FIG. 1 is a front perspective view of a balance toy walker showing my new design;
FIG. 2 is a rear elevational view thereof;
FIG. 3 is a top plan view thereof; and
FIG. 4 is an end elevational view thereof, the end opposite being the same.

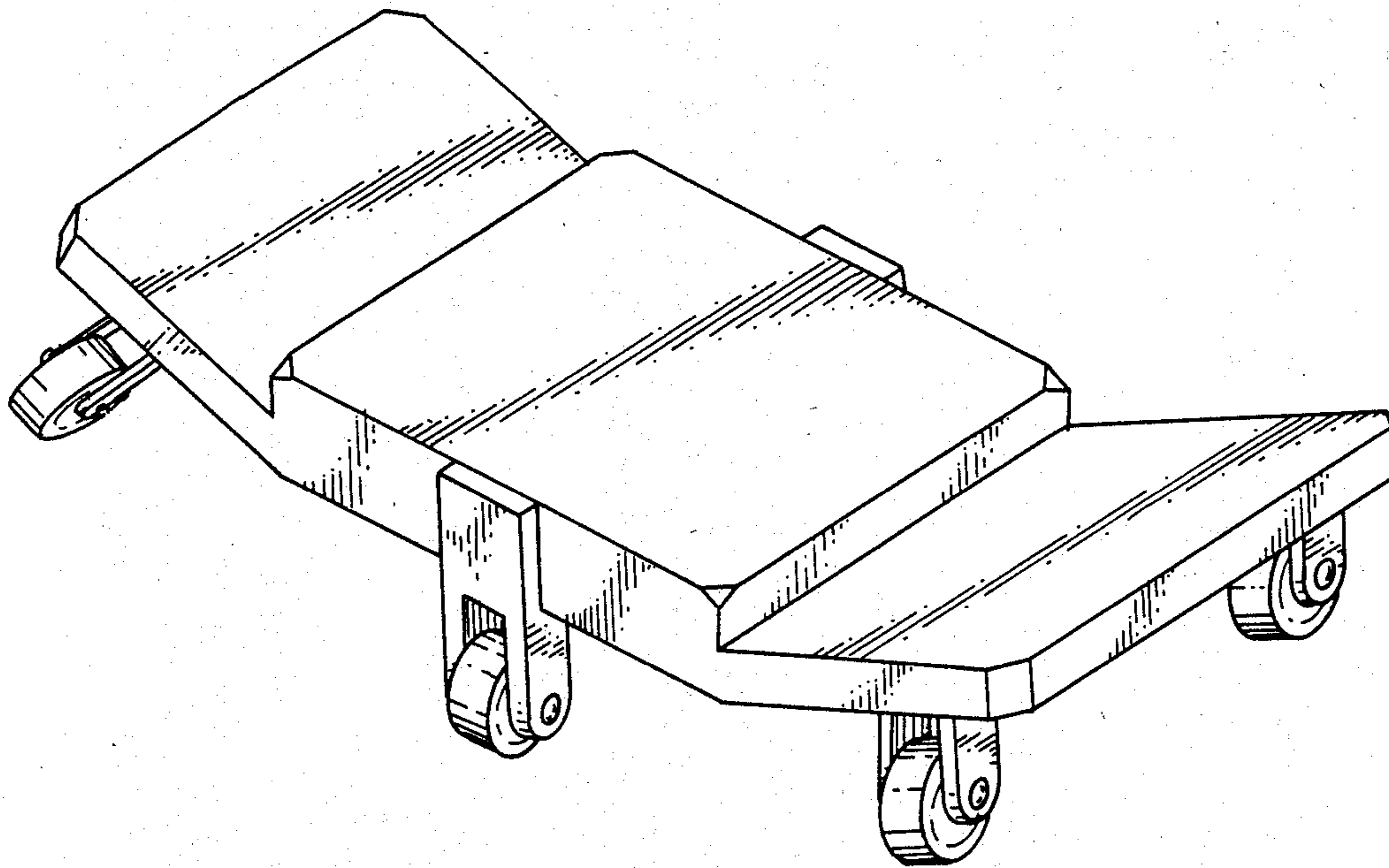


Fig. 1

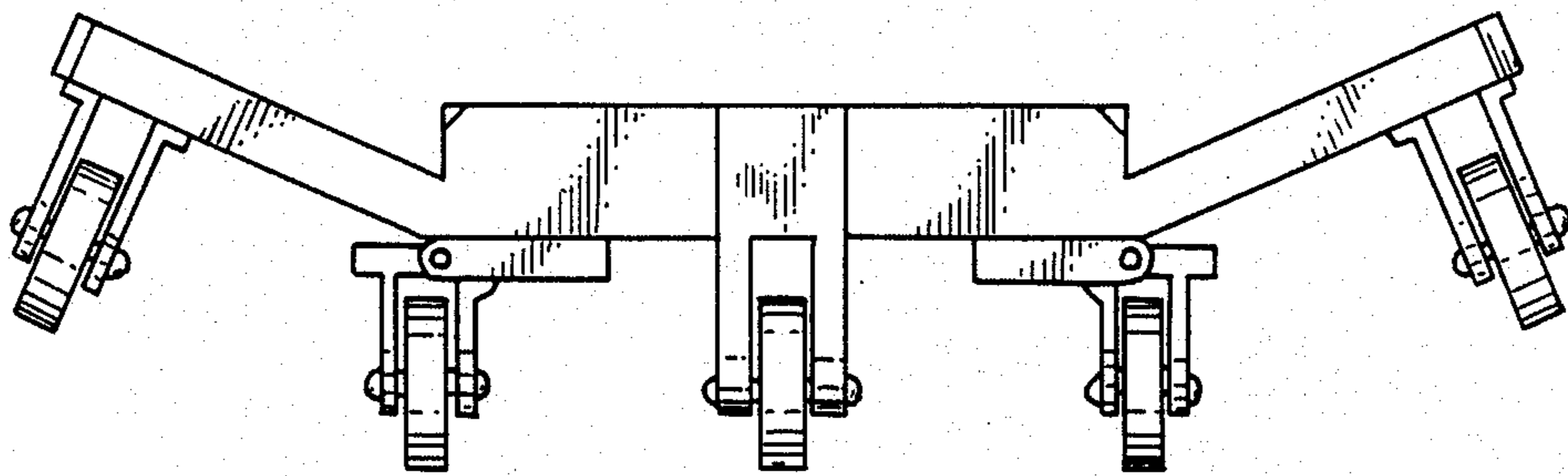
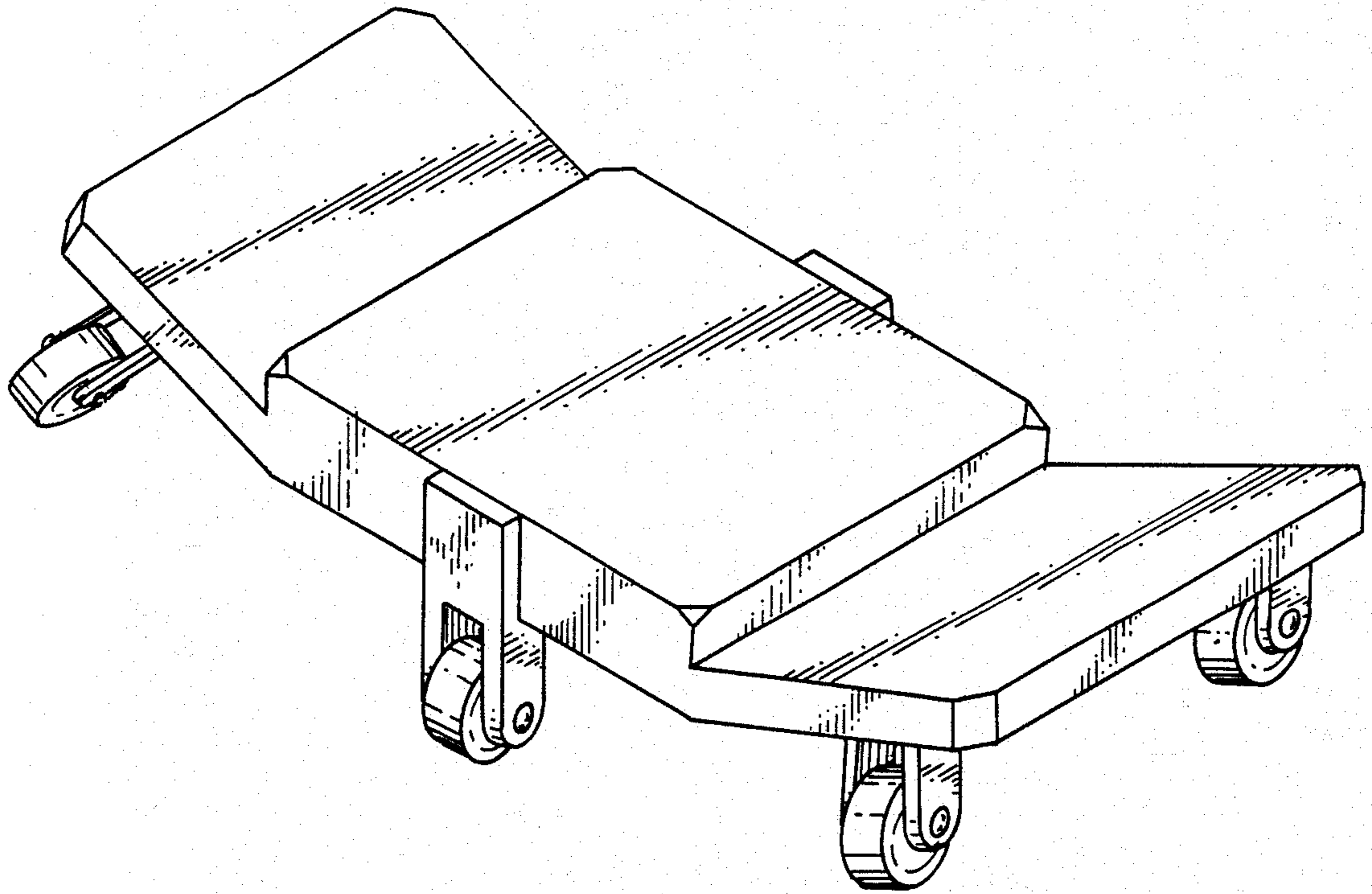


Fig. 2

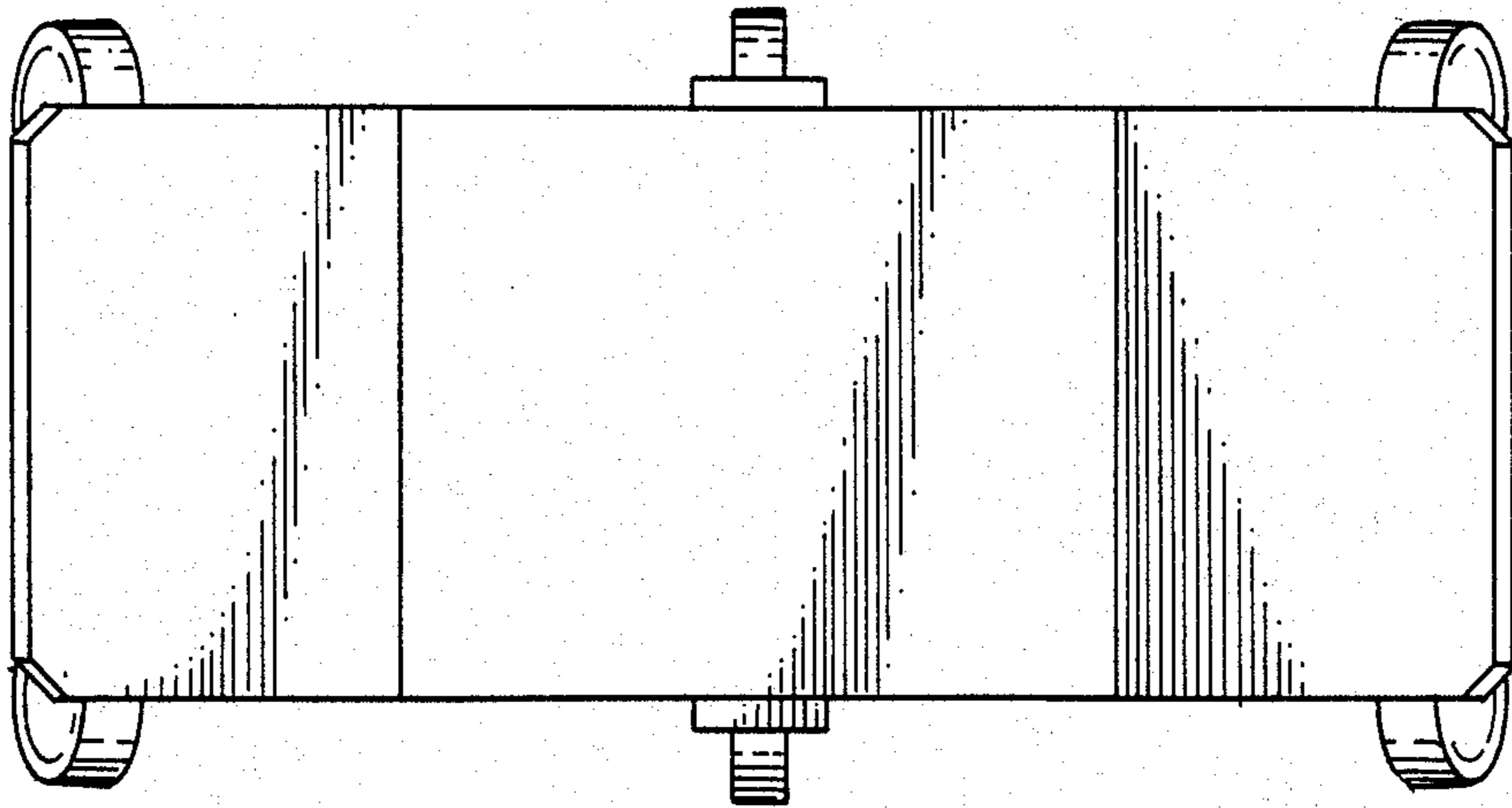


Fig. 3

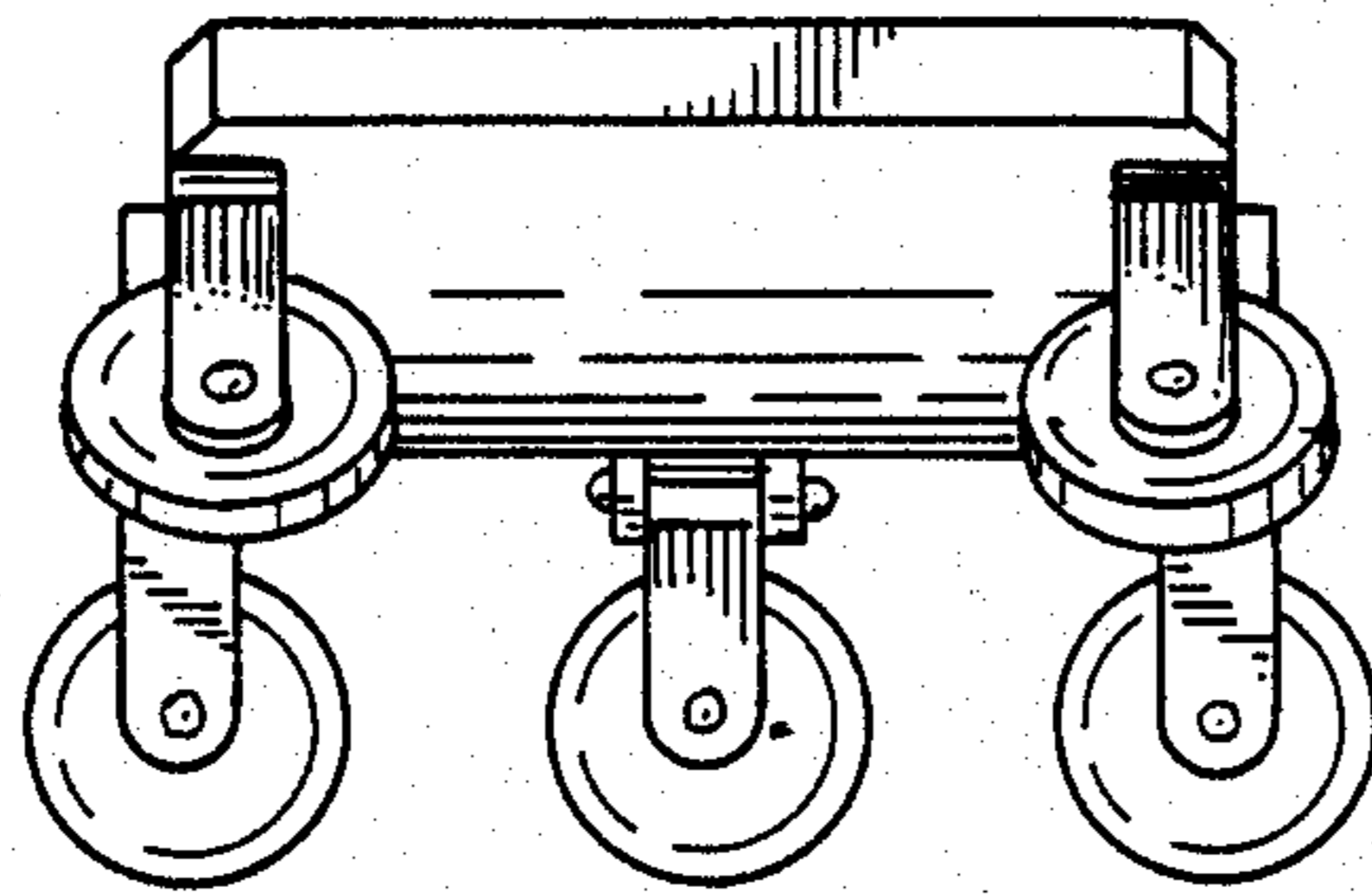


Fig. 4