

[54] **COVER FOR SLOT MACHINE**

[76] **Inventor:** Leroy H. Gutknecht, 3111 S. Valley View, Suite E-133, Las Vegas, Nev. 89102

[**] **Term:** 14 Years

[21] **Appl. No.:** 855,767

[22] **Filed:** Apr. 17, 1986

[52] **U.S. Cl.** D21/48; D21/38

[58] **Field of Search** D21/38, 48; 273/143 R

[56] **References Cited**

U.S. PATENT DOCUMENTS

D. 284,592 7/1986 Drews et al. D21/38
3,747,936 7/1973 Ohki 273/143 R

OTHER PUBLICATIONS

The Washington Post, Sunday, Nov. 12, 1972, p. 19, Slot Machine, Electro-Jackpot Game.

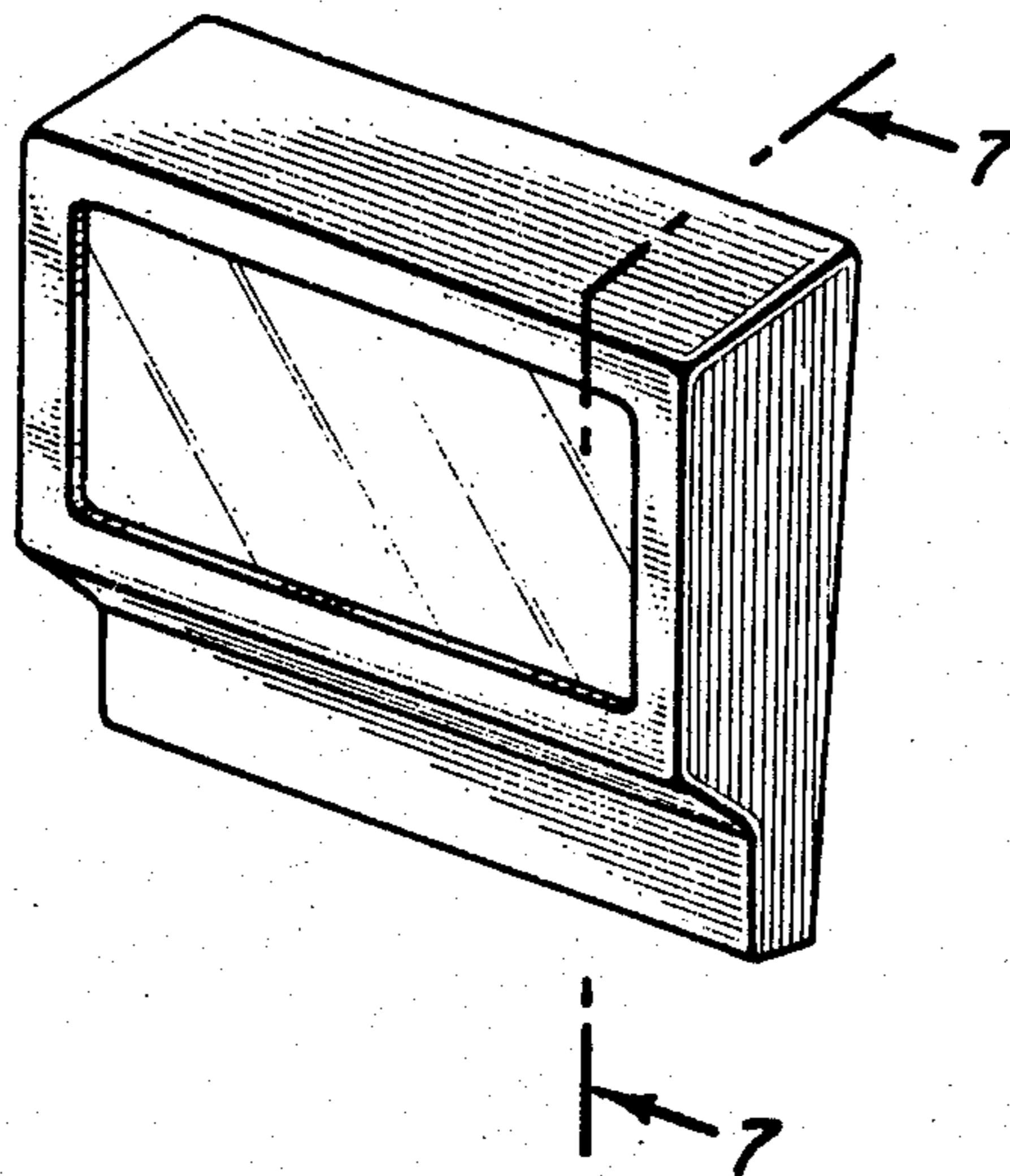
Primary Examiner—Melvin B. Feifer
Attorney, Agent, or Firm—Jack C. Munro

[57] **CLAIM**

The ornamental design for a cover for slot machine, as shown and described.

DESCRIPTION

FIG. 1 is a perspective view of a cover for slot machine showing my new design;
FIG. 2 is a front elevational view;
FIG. 3 is a side elevational view;
FIG. 4 is a rear elevational view;
FIG. 5 is a top plan view;
FIG. 6 is a bottom plan view; and
FIG. 7 is a vertical cross-sectional view taken on line 7-7 of FIG. 1.



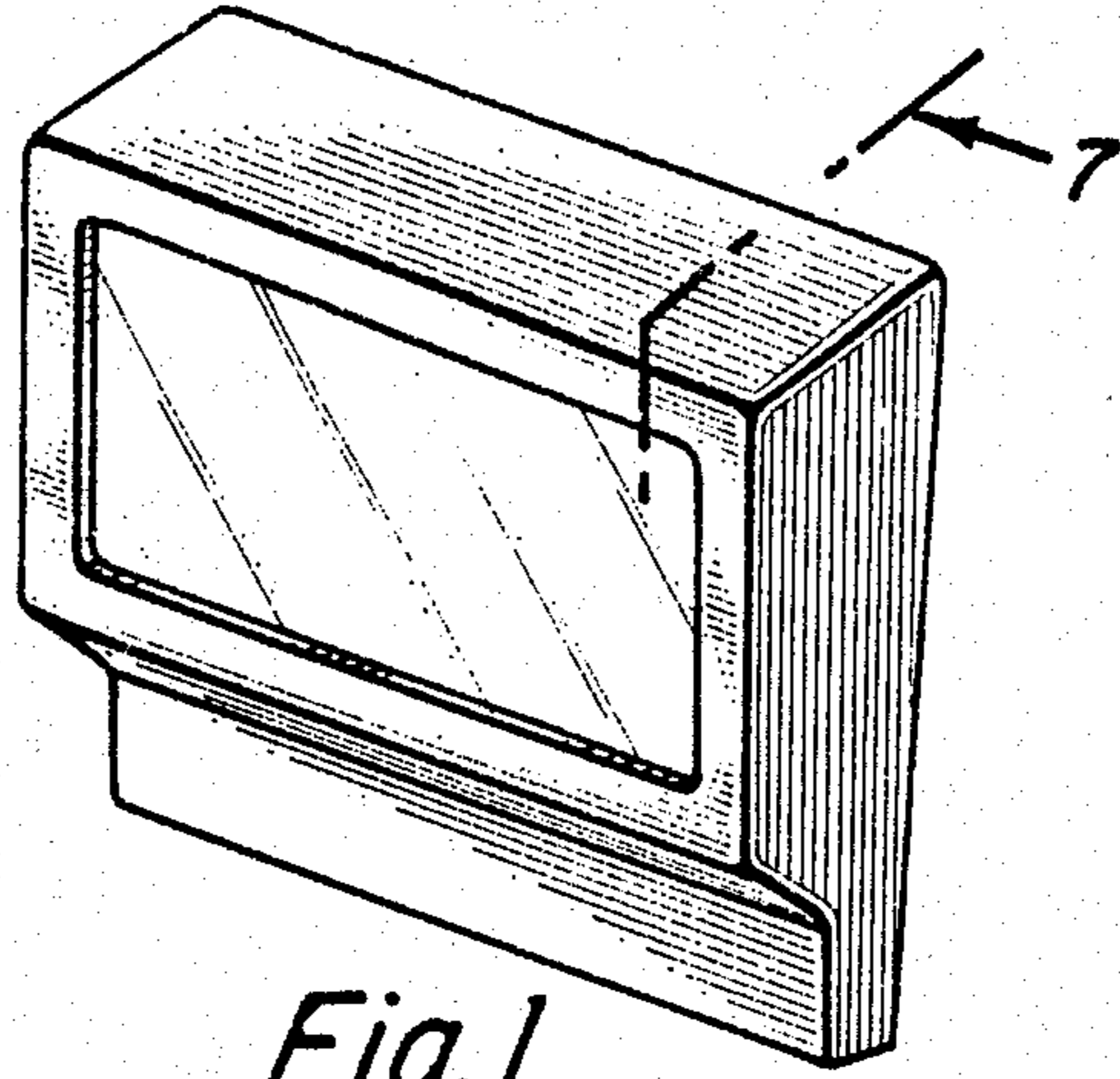


Fig. 1.

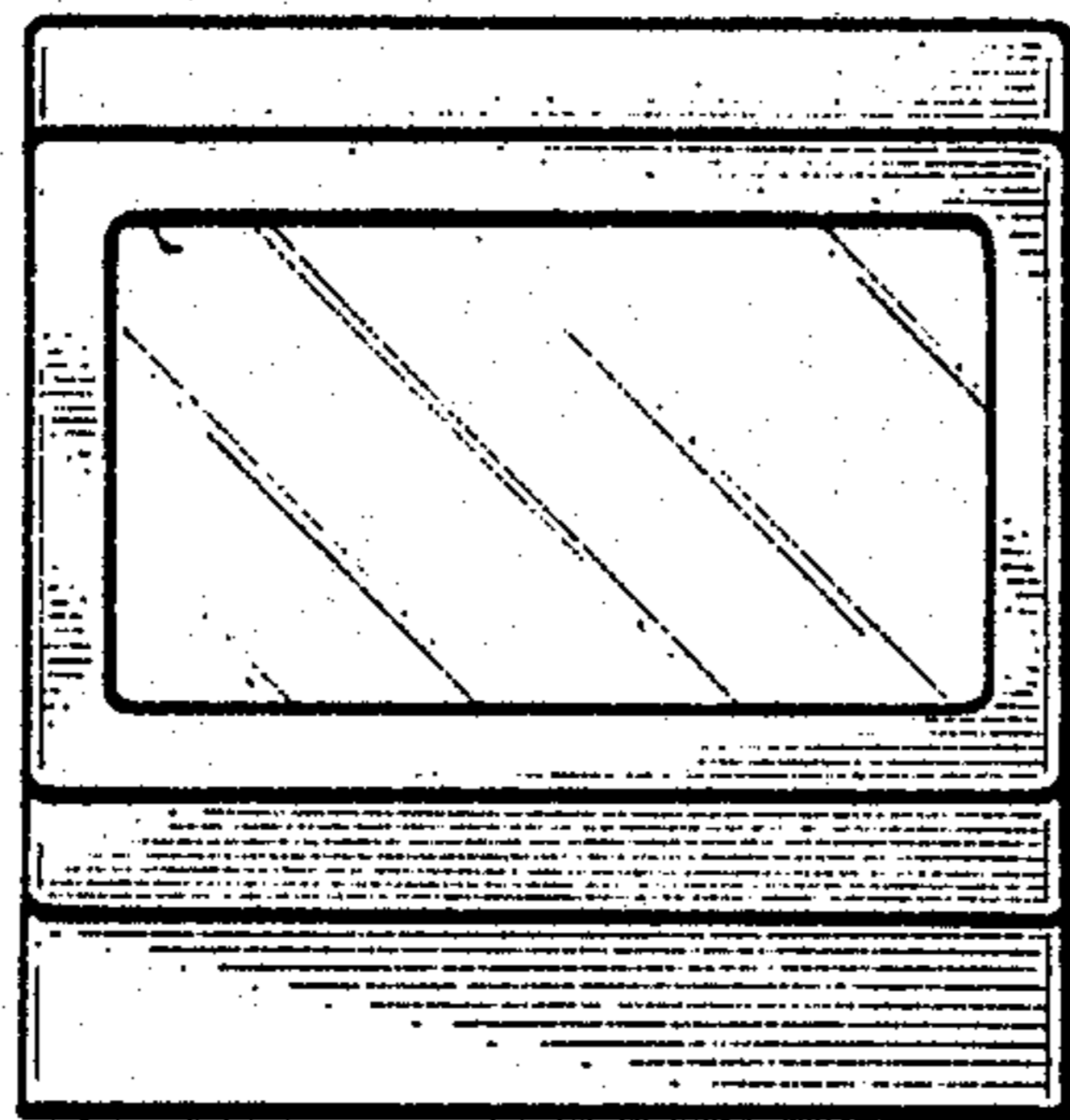


Fig. 2.

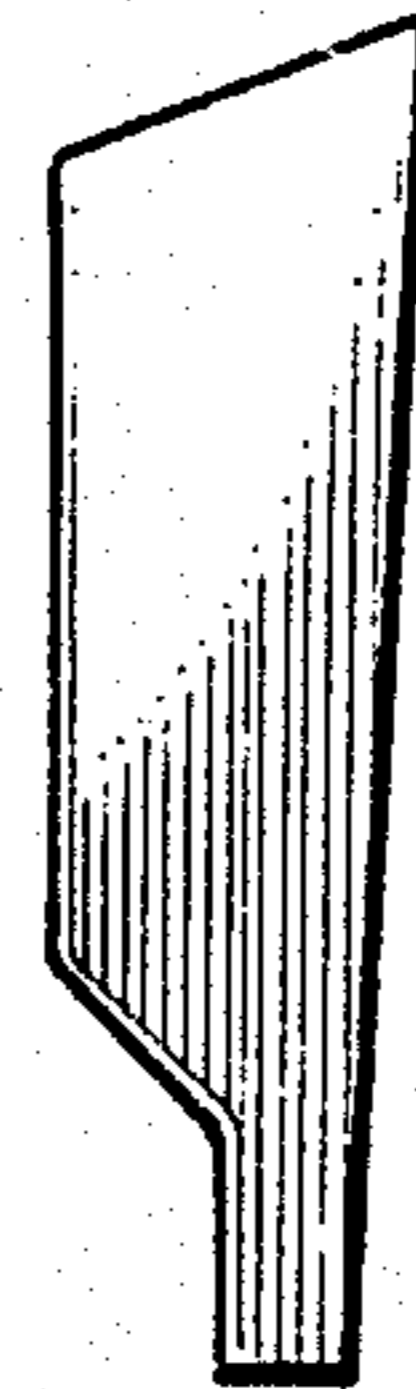


Fig. 3.

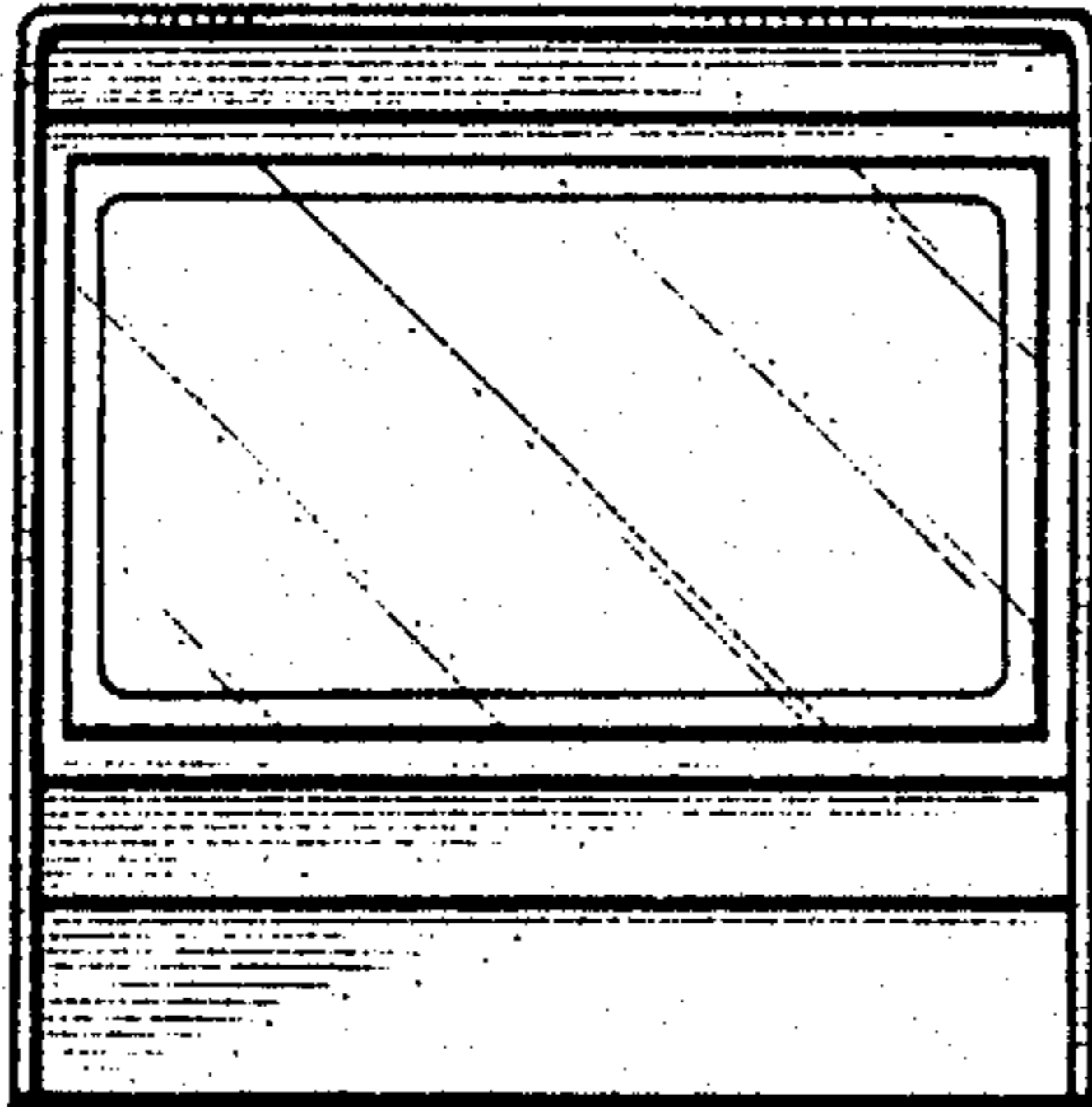


Fig. 4.

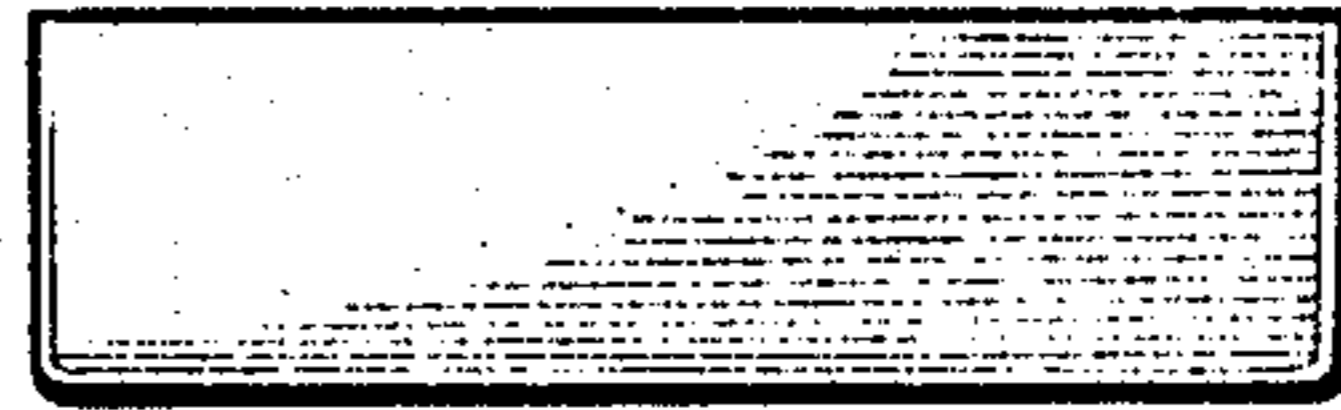


Fig. 5.

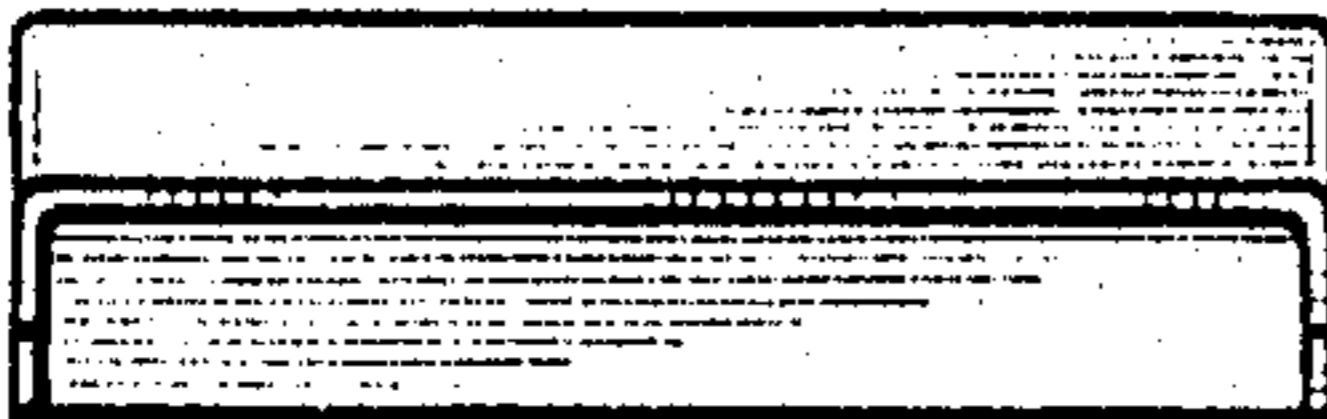


Fig. 6.



Fig. 7.