

[54] FOOTBALL GAMEBOARD

[76] Inventor: Bradley S. Ferguson, 108 Palmer St., Fostoria, Ohio 44830

[**] Term: 14 Years

[21] Appl. No.: 888,989

[22] Filed: Jul. 24, 1986

[52] U.S. Cl. D21/15; D21/18; D21/29

[58] Field of Search D21/14-36, D21/11; 273/236-285

[56] References Cited

U.S. PATENT DOCUMENTS

D. 96,907	9/1935	Drake	D21/29
D. 231,374	4/1974	Moe	D21/16
D. 233,453	10/1974	Huffman	D21/18
D. 296,909	7/1988	Lin	D21/24

Primary Examiner—Melvin B. Feifer
Attorney, Agent, or Firm—Terry M. Gernstein

[57] CLAIM

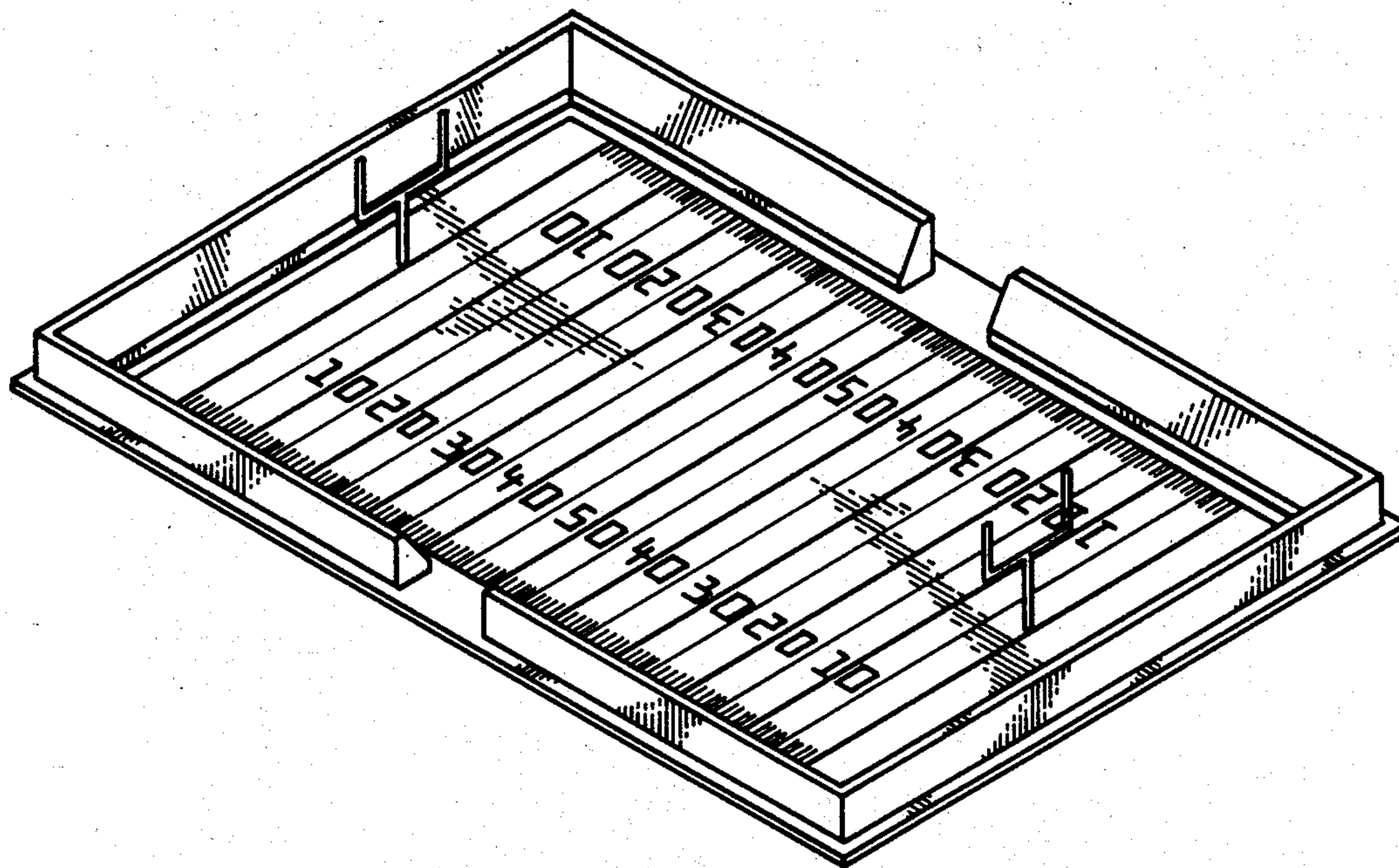
The ornamental design for a football gameboard, as shown and described.

DESCRIPTION

FIG. 1 is a perspective view of a football gameboard showing my new design.

FIG. 2 is a typical side elevation view thereof.

FIG. 3 is a perspective view of the gameboard showing the same in a folded position.



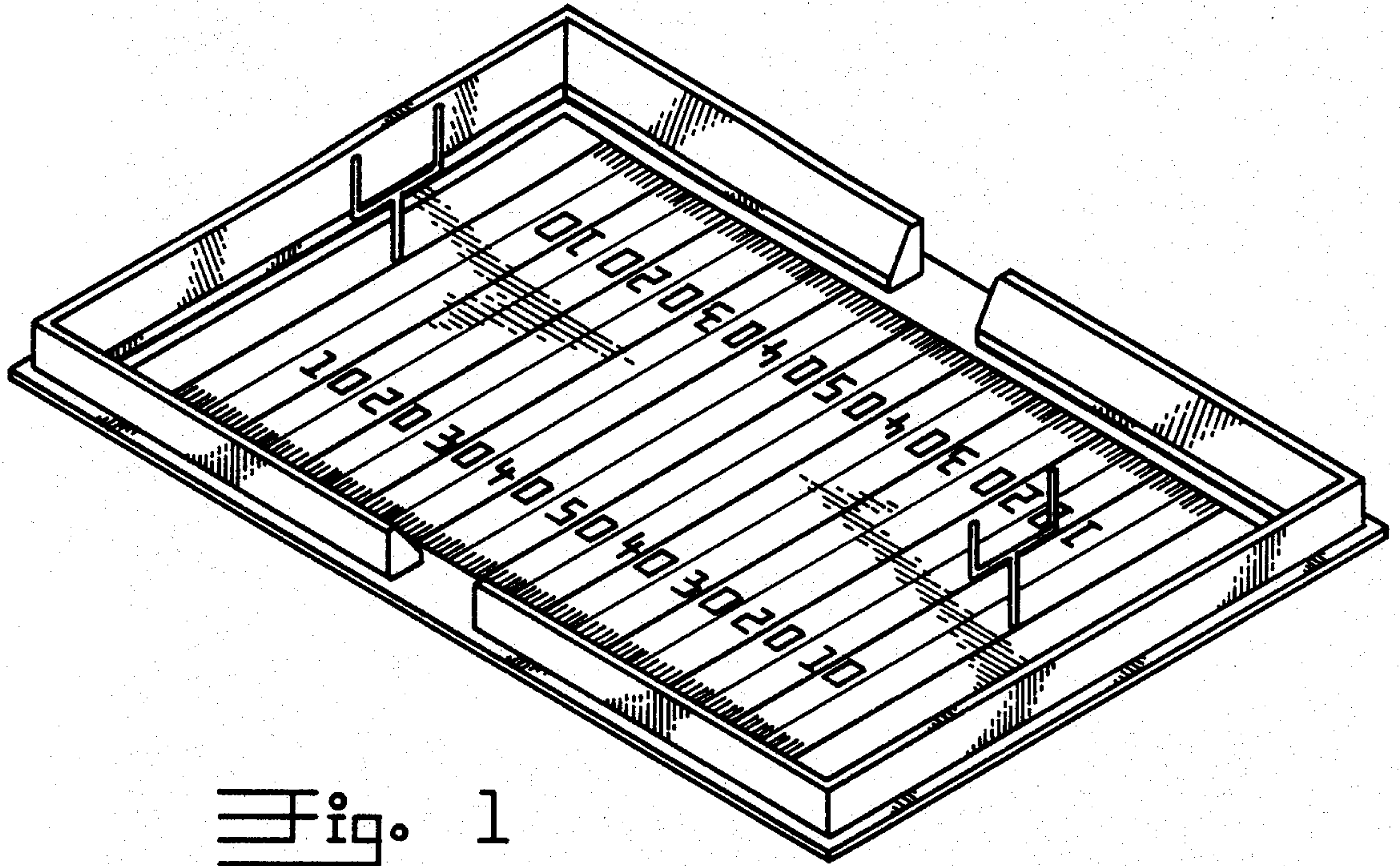


Fig. 1

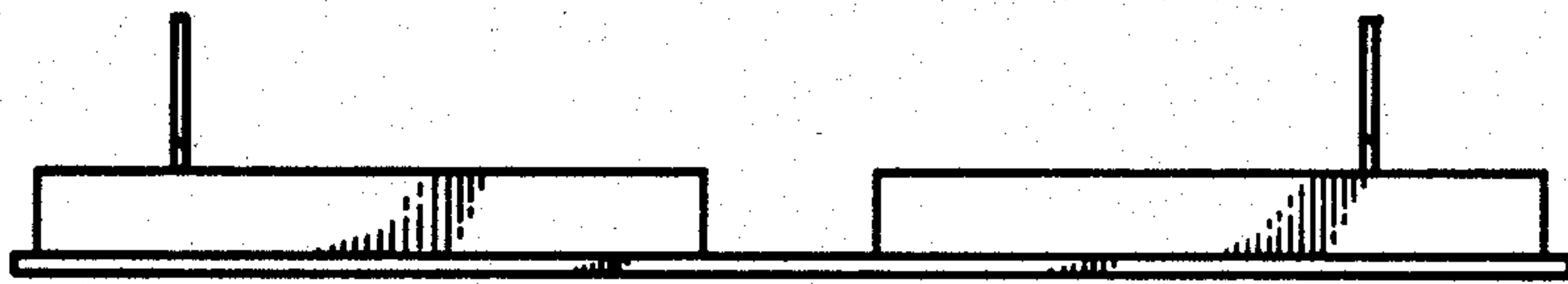


Fig. 2

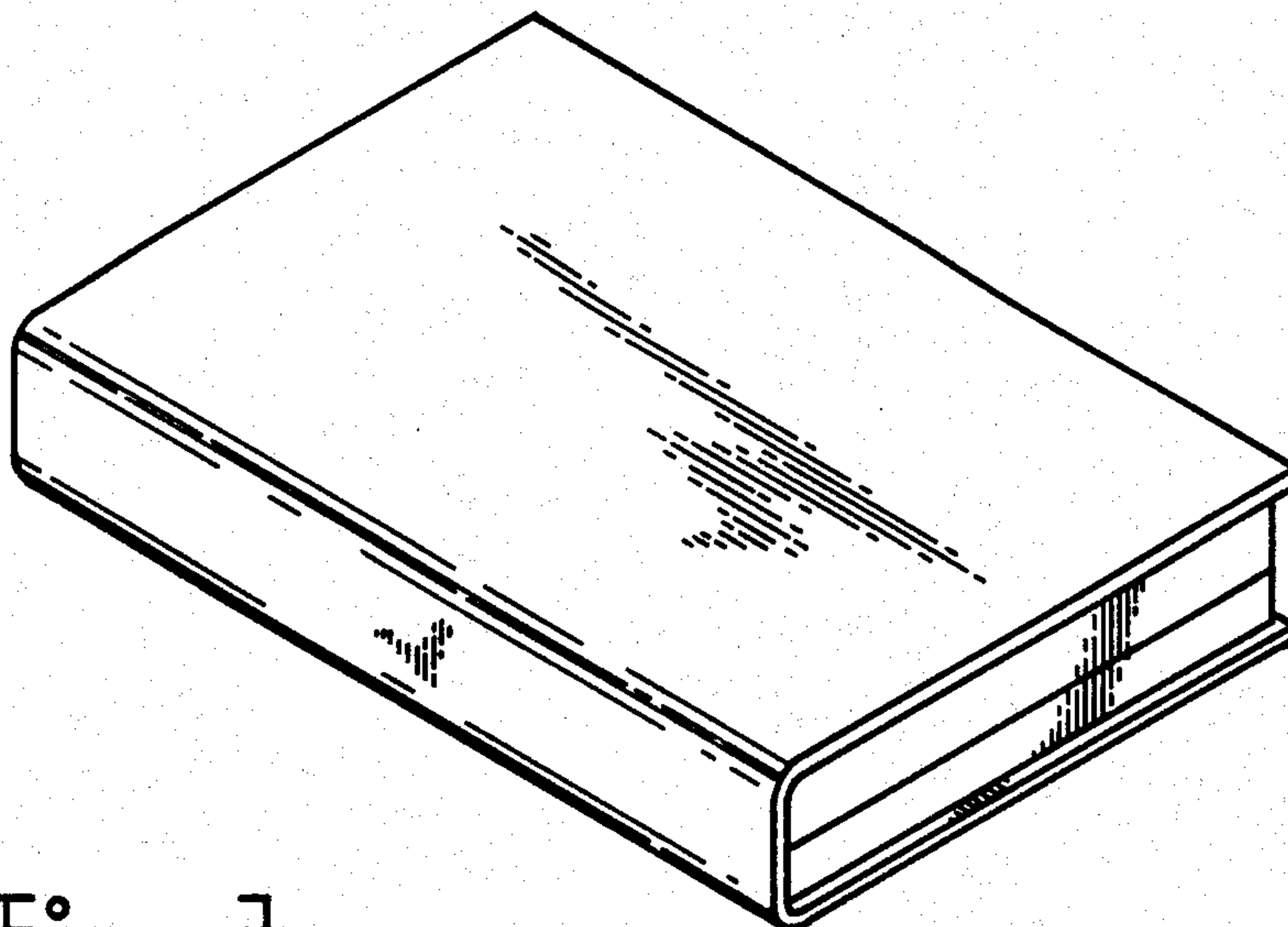


Fig. 3