

[54] MESSAGE ORGANIZER

[76] Inventor: Jonathan B. Horowitz, 1106 S. El Camino Real, San Mateo, Calif. 94402

[**] Term: 14 Years

[21] Appl. No.: 791,620

[22] Filed: Oct. 25, 1985

[52] U.S. Cl. D19/90; D19/75

[58] Field of Search D19/65, 95, 99, 100, D19/75, 86, 90, 91, 92; 211/10, 11, 128; 40/124.1; D6/474

[56] References Cited

U.S. PATENT DOCUMENTS

D. 55,077	5/1920	Page	D19/90
D. 94,204	1/1935	Guild	D19/90
D. 250,960	1/1979	Bitner, Jr. et al.	D19/90
D. 286,167	10/1986	Greitzer	D19/90 X
1,903,936	4/1933	Nunnery	211/128 X
4,613,047	9/1986	Bushyhead et al.	211/128 X

Primary Examiner—Bernard Ansher
Assistant Examiner—Theodore M. Shooman

Attorney, Agent, or Firm—Douglas A. Chaikin

[57] CLAIM

The ornamental design for a message organizer, as shown and described.

DESCRIPTION

FIG. 1 is a top, front and left side perspective view of a message organizer showing my new design;
 FIG. 2 is a top, front and left side perspective view of a second embodiment of the message organizer illustrated in FIG. 1;
 FIG. 3 is a front elevational view of the embodiment disclosed in FIG. 1, the rear being a mirror image;
 FIG. 4 is a front elevational view of the embodiment disclosed in FIG. 2, the rear being a mirror image;
 FIG. 5 is a left side elevational view of a third embodiment of the message organizer illustrated in FIG. 1, the right side being a mirror image; and
 FIG. 6 is a left side elevational view of a fourth embodiment of the message organizer illustrated in FIG. 1, the right side being a mirror image.
 The views of the third and fourth embodiments not illustrated are similar to the corresponding views of the first embodiment.

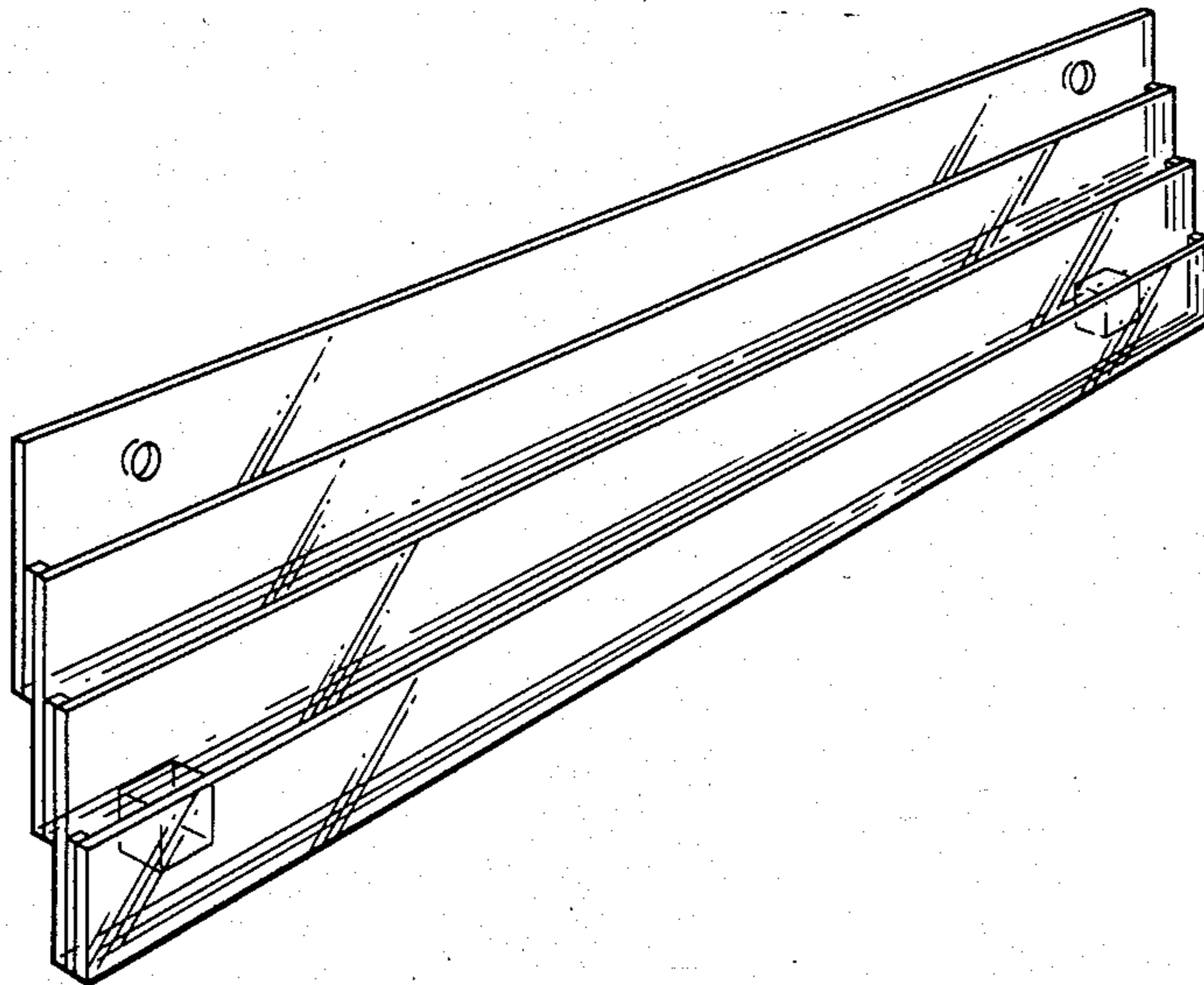


FIGURE 1

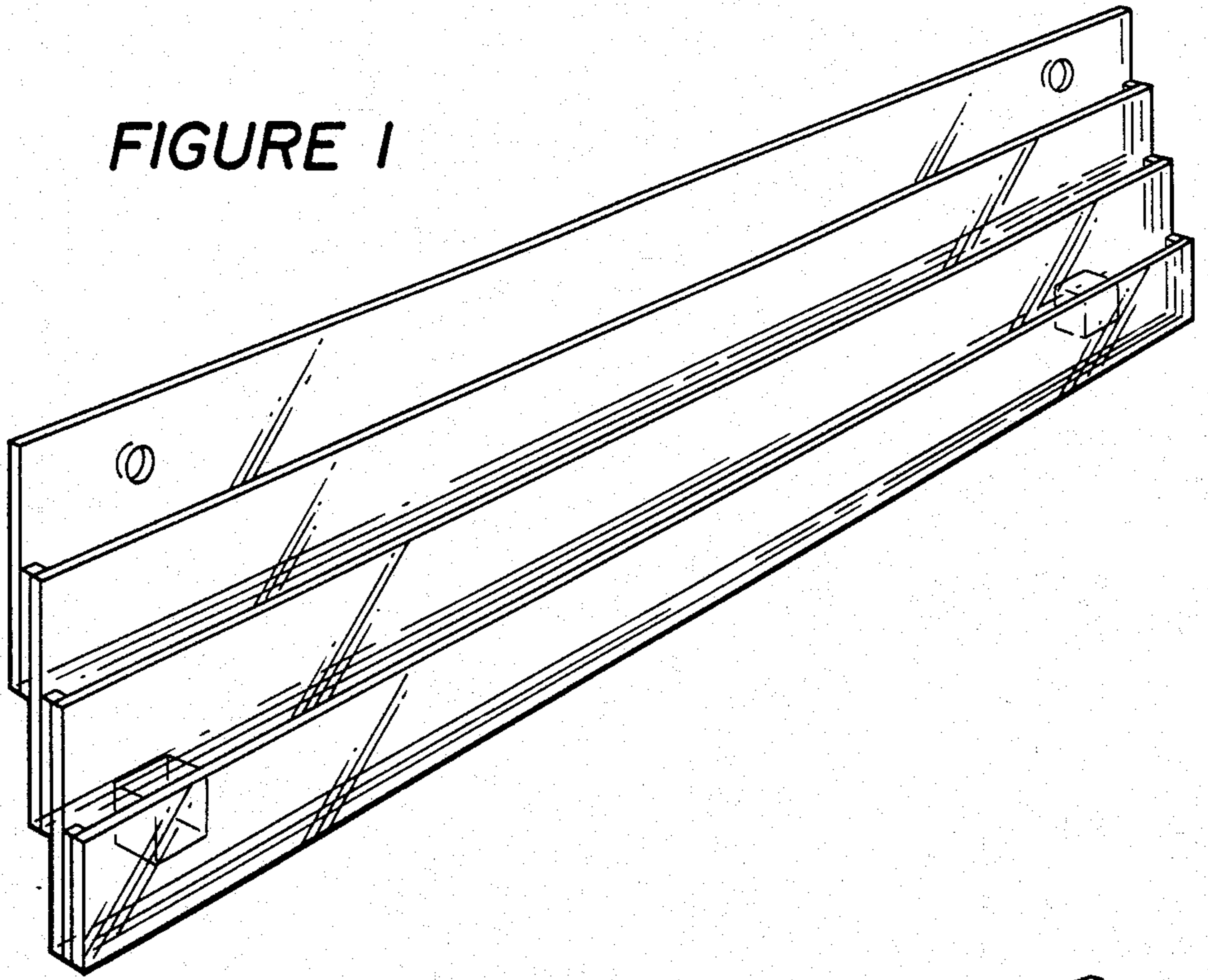
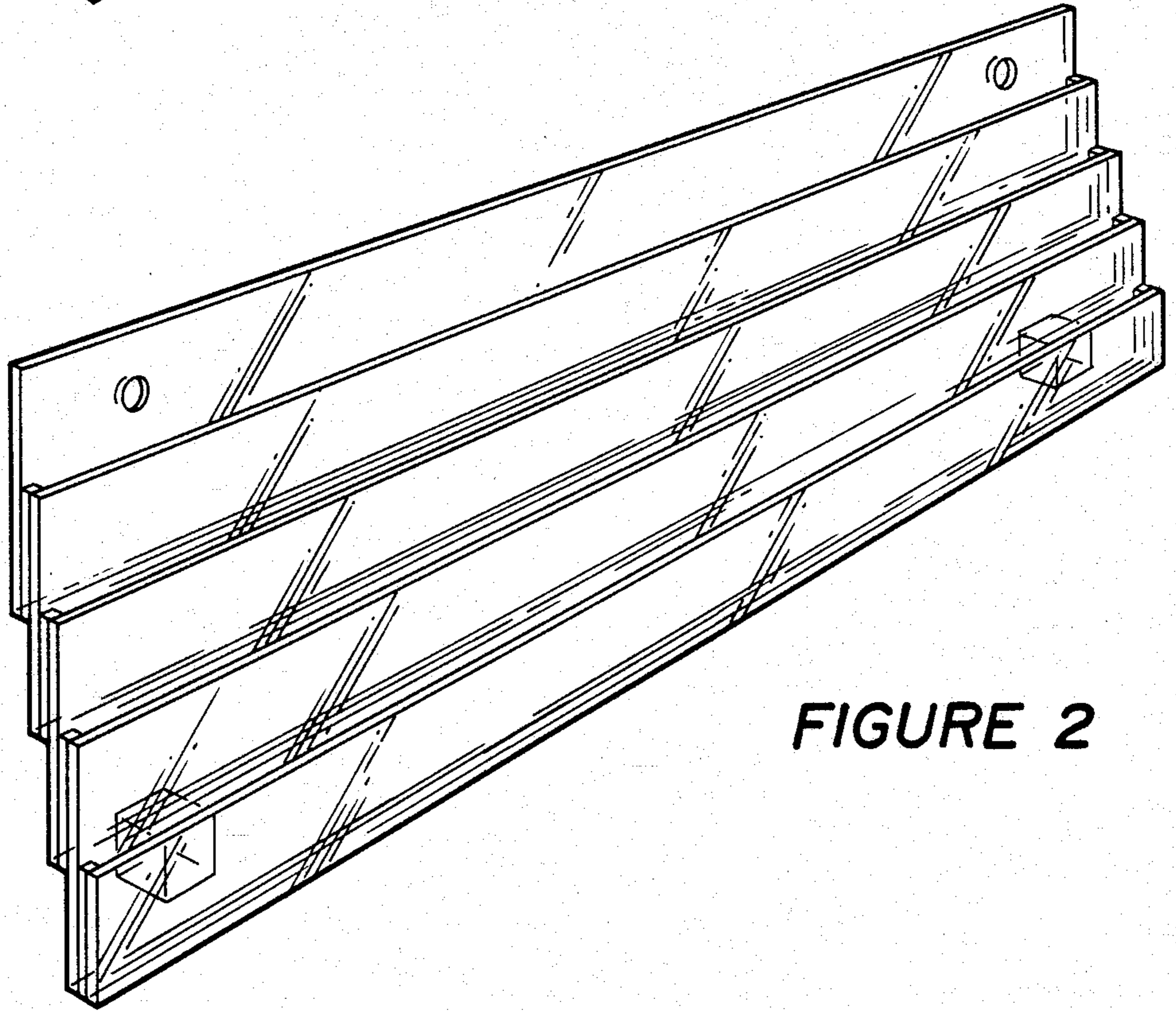


FIGURE 2



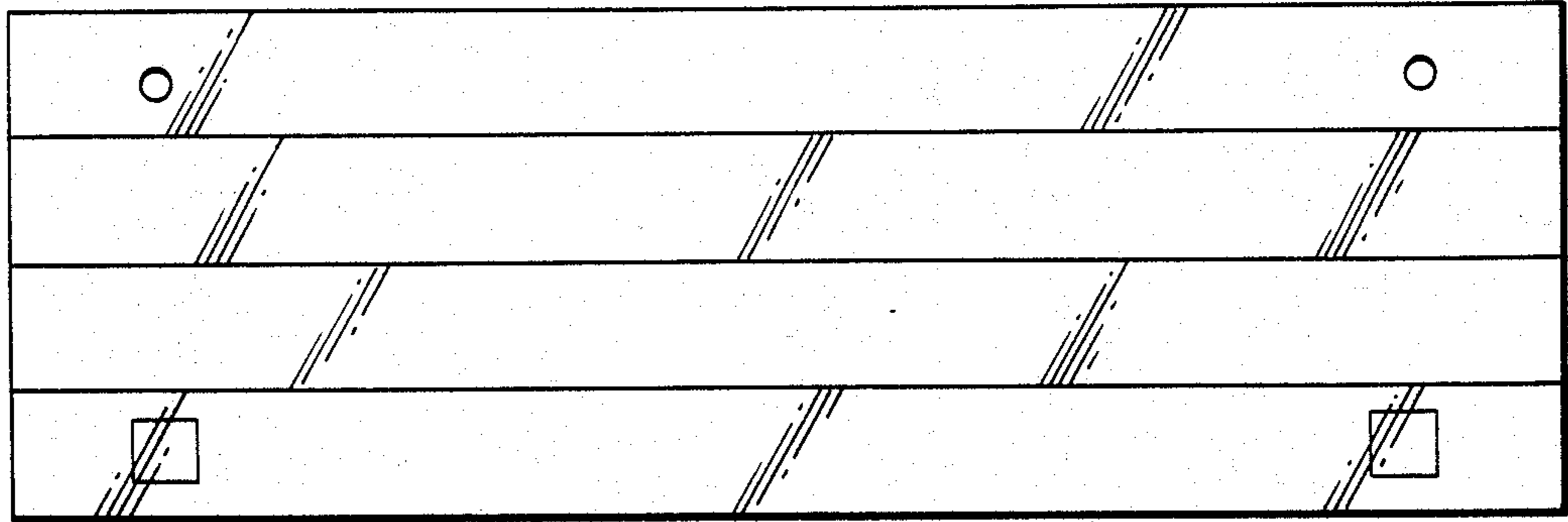


FIGURE 3

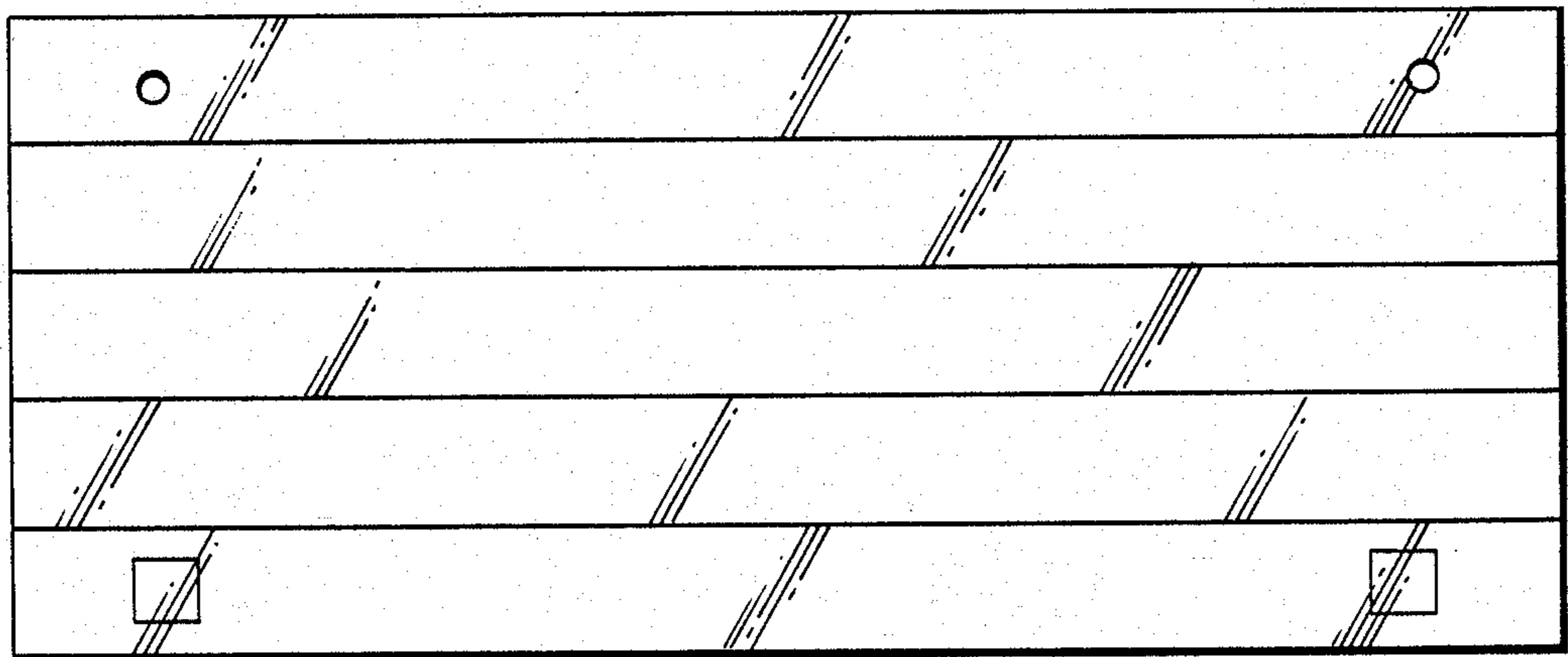


FIGURE 4

FIGURE 5

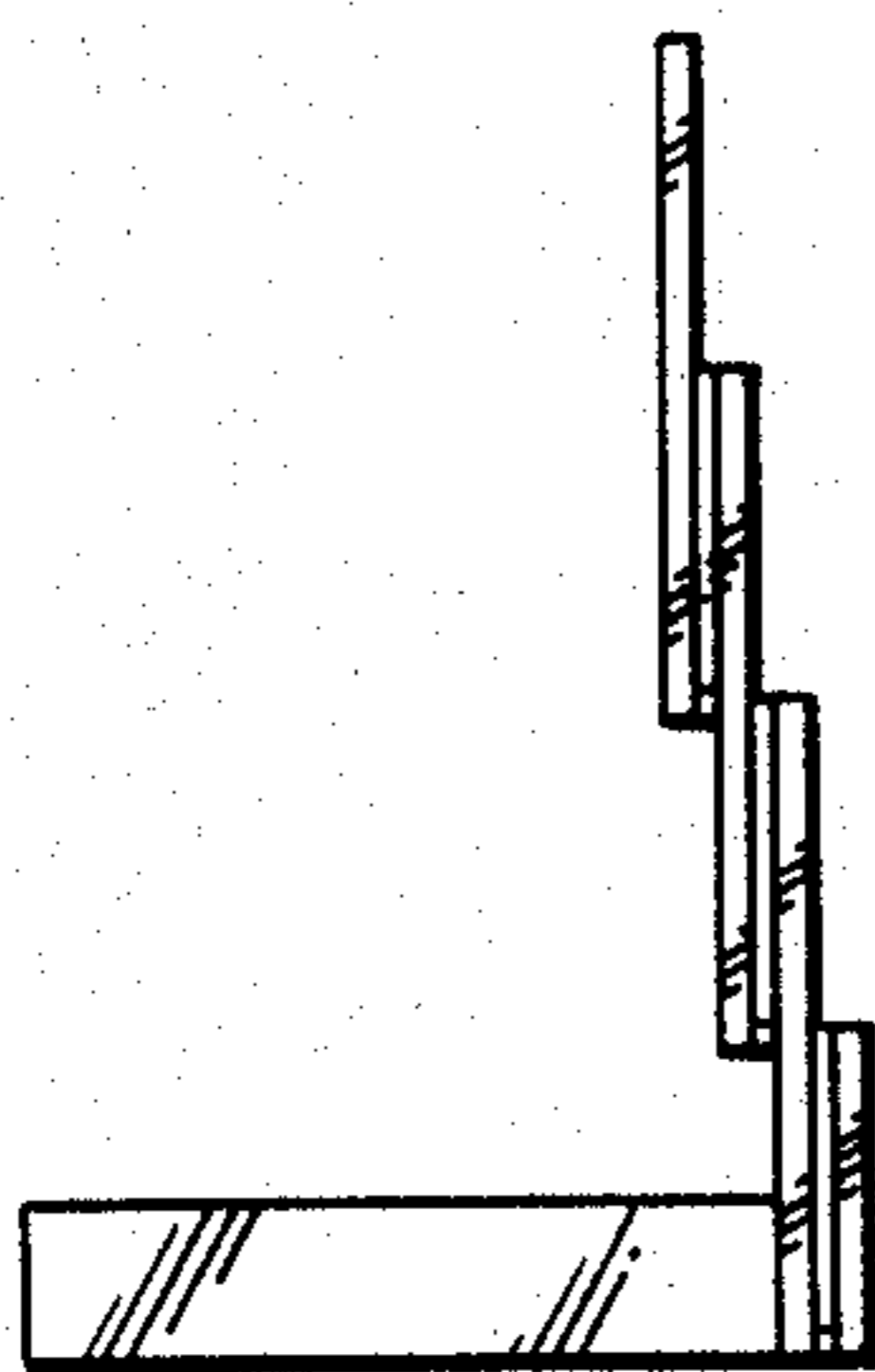


FIGURE 6

