

[54] COMBINED WRITING INSTRUMENT AND RANDOM NUMBER SELECTOR

[76] Inventor: David M. Audet, 3828 Lindsay St., Abbotsford, B.C., Canada, V2S 4N3

[\*\*] Term: 14 Years

[21] Appl. No.: 764,182

[22] Filed: Aug. 9, 1985

[52] U.S. Cl. .... D19/41

[58] Field of Search ..... D19/35, 36, 41-57; D21/37; 273/144; 401/195

[56] References Cited

U.S. PATENT DOCUMENTS

- D. 275,972 10/1984 Bahier ..... D21/37
- 3,343,293 9/1967 Kirklen ..... 401/195
- 4,541,630 9/1985 Dirks ..... D19/36

FOREIGN PATENT DOCUMENTS

- 2400738 3/1979 France ..... 401/195
- 7703549 1/1978 Netherlands ..... 401/195

Primary Examiner—Charles A. Rademaker  
Attorney, Agent, or Firm—Barrigar & Oyen

[57] CLAIM

The ornamental design for a combined writing implement and random number selector, as shown and described.

DESCRIPTION

FIG. 1 is a perspective view of a combined writing instrument and random number selector showing my new design;

FIG. 2 is a front elevational view thereof;

FIG. 3 is a right side elevational view thereof;

FIG. 4 is a left side elevational view thereof;

FIG. 5 is a rear elevational view thereof.

FIG. 6 is a top plan view thereof; and

FIG. 7 is a bottom plan view thereof.

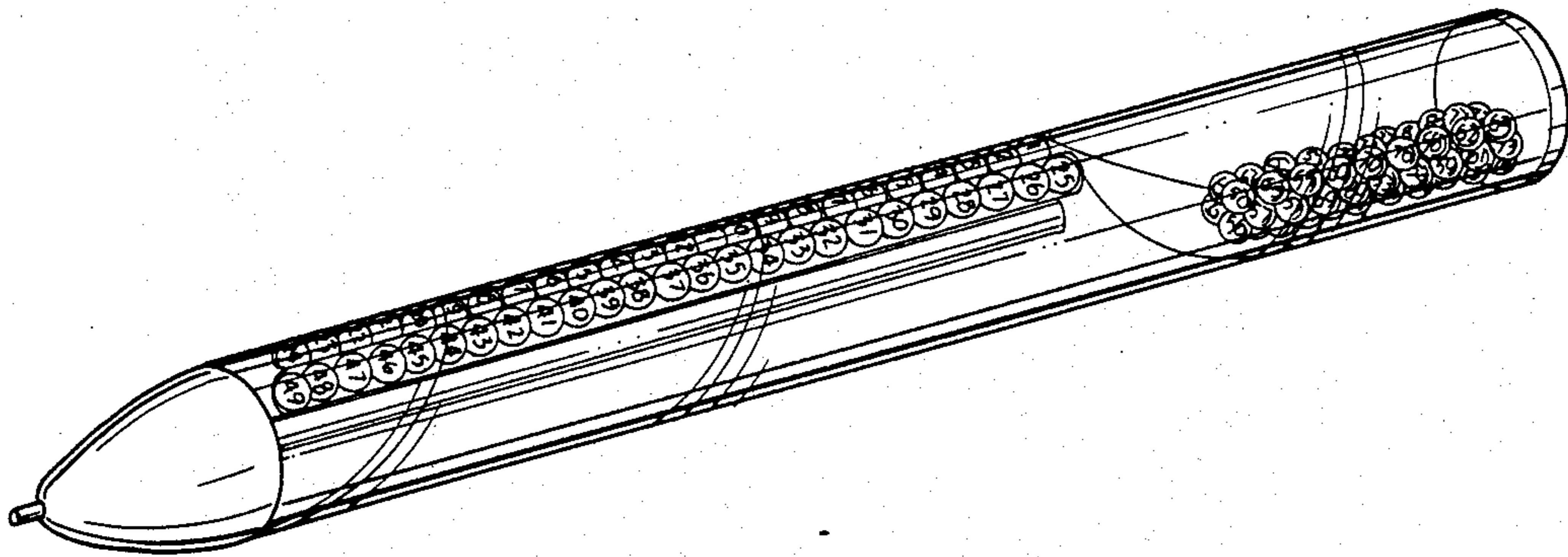


FIG. 1

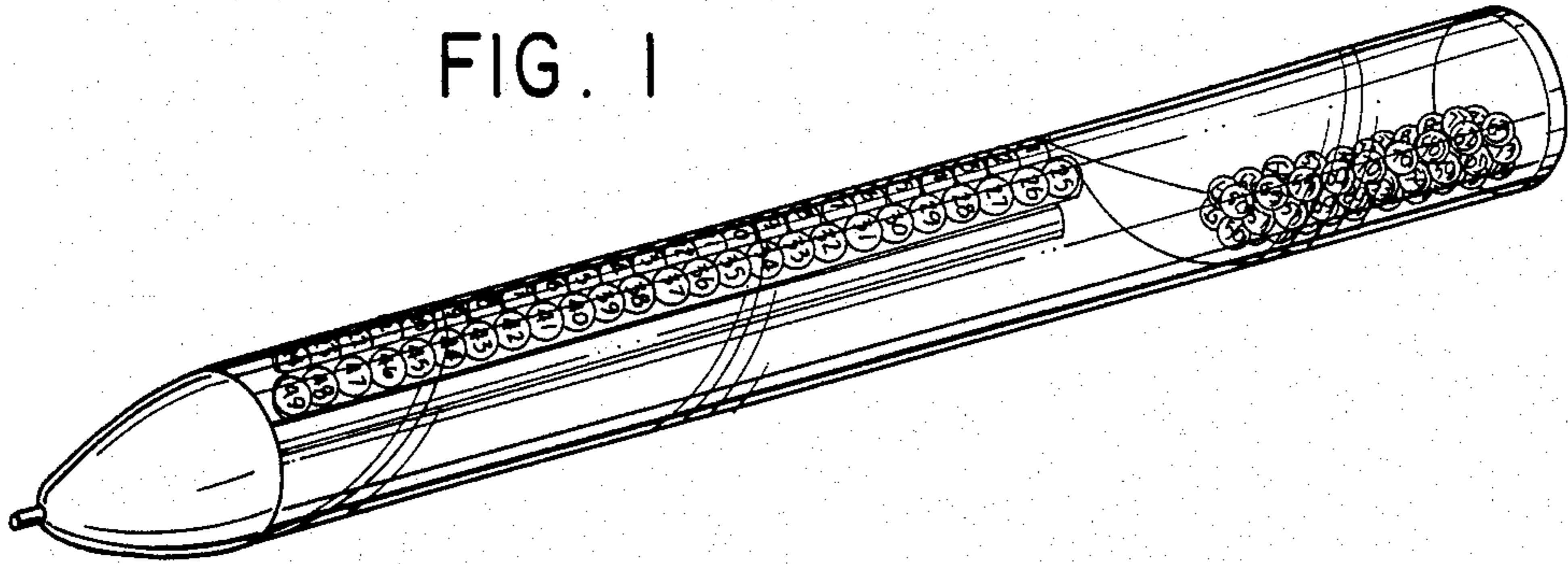


FIG. 3

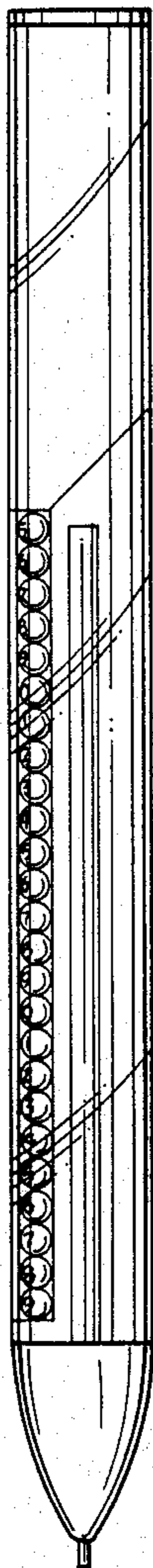


FIG. 2

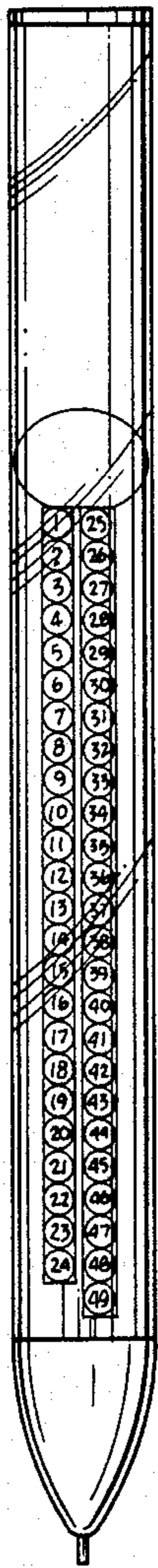


FIG. 4



FIG. 5

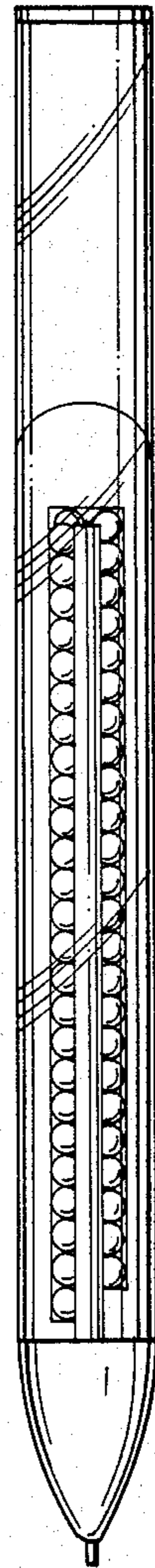


FIG. 6



FIG. 7

