

[54] PRINTER

[75] Inventor: Kazuo Yoshida, Tokyo, Japan

[73] Assignee: Oki Electric Industry Co., Ltd., Tokyo, Japan

[\*\*] Term: 14 Years

[21] Appl. No.: 851,369

[22] Filed: Apr. 10, 1986

[30] Foreign Application Priority Data

Oct. 14, 1985 [JP] Japan ..... 60-42654

[52] U.S. Cl. .... D18/13

[58] Field of Search ..... D18/13, 22, 99; D14/100-102, 111

[56] References Cited

U.S. PATENT DOCUMENTS

- D. 274,725 7/1984 Izaki ..... D14/111
- D. 276,725 12/1984 Izaki ..... D14/111
- D. 278,713 5/1985 Juliana ..... D14/111
- D. 278,714 5/1985 Maruyama ..... D14/111
- D. 283,823 5/1986 Mitsunashi ..... D18/13
- D. 283,824 5/1986 Takuda ..... D18/13
- D. 284,012 5/1986 Mitsunashi ..... D18/13
- D. 284,013 5/1986 Kuroki ..... D14/111 X

- D. 287,140 12/1986 Yoshida ..... D18/12
- D. 288,096 2/1987 Kato et al. .... D14/111
- D. 290,125 6/1987 Takahashi ..... D14/111

Primary Examiner—James R. Largen  
Attorney, Agent, or Firm—Wenderoth, Lind & Ponack

[57] CLAIM

The ornamental design for a printer, as shown and described.

DESCRIPTION

FIG. 1 is a front elevational view of a printer showing our new design;  
 FIG. 2 is a top plan view thereof;  
 FIG. 3 is a rear elevational view thereof;  
 FIG. 4 is a bottom plan view thereof;  
 FIG. 5 is a left side elevational view thereof;  
 FIG. 6 is a right side elevational view thereof;  
 FIG. 7 is a perspective view taken from the top, front and right side thereof;  
 FIG. 8 is a cross sectional view interior construction omitted for clarity; and  
 FIG. 9 is another perspective view taken from the top, front and right side thereof.  
 The broken line representation of paper in FIG. 9 is for purposes of illustration only and forms no part of the claimed design.

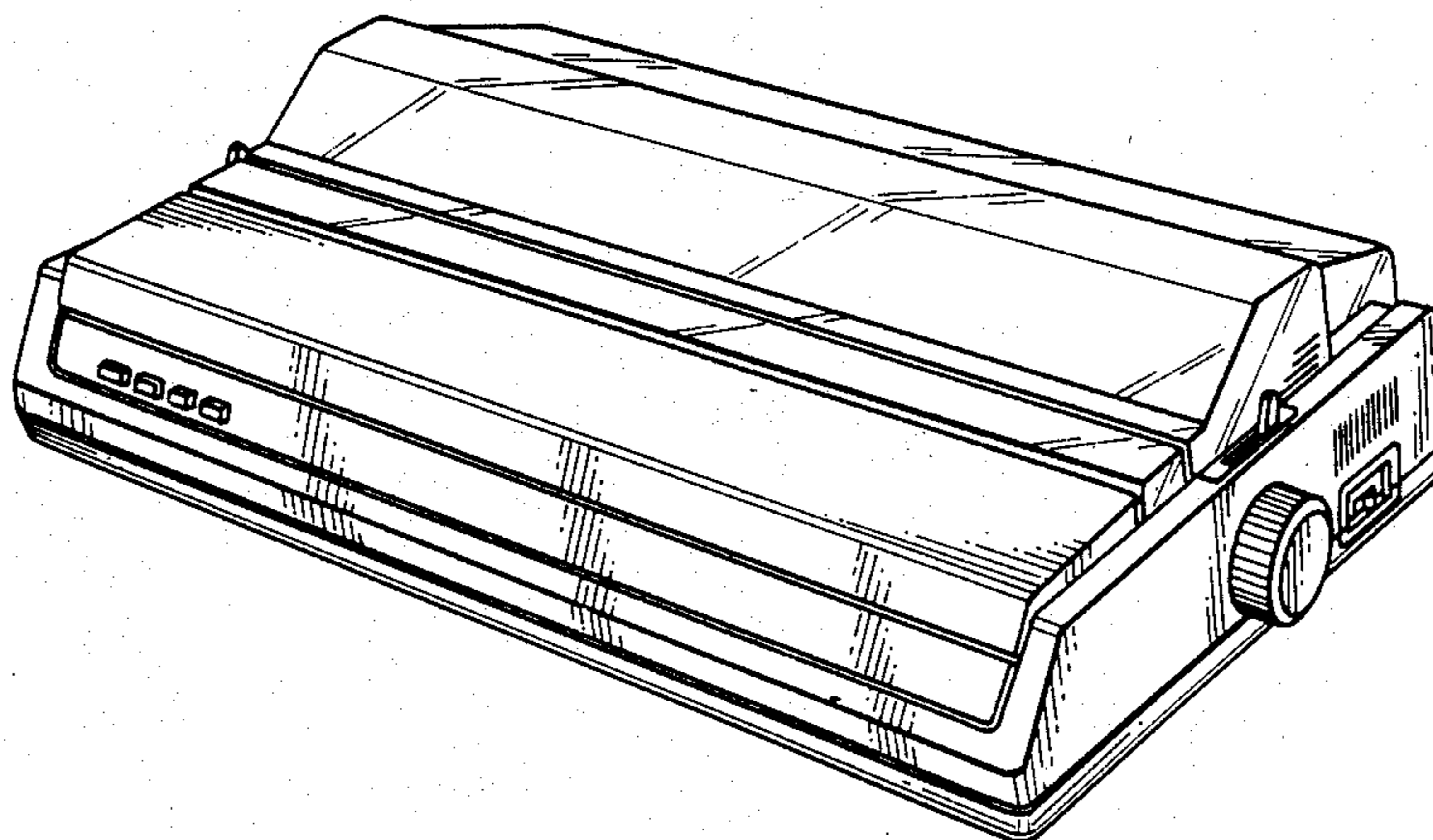


Fig. 1

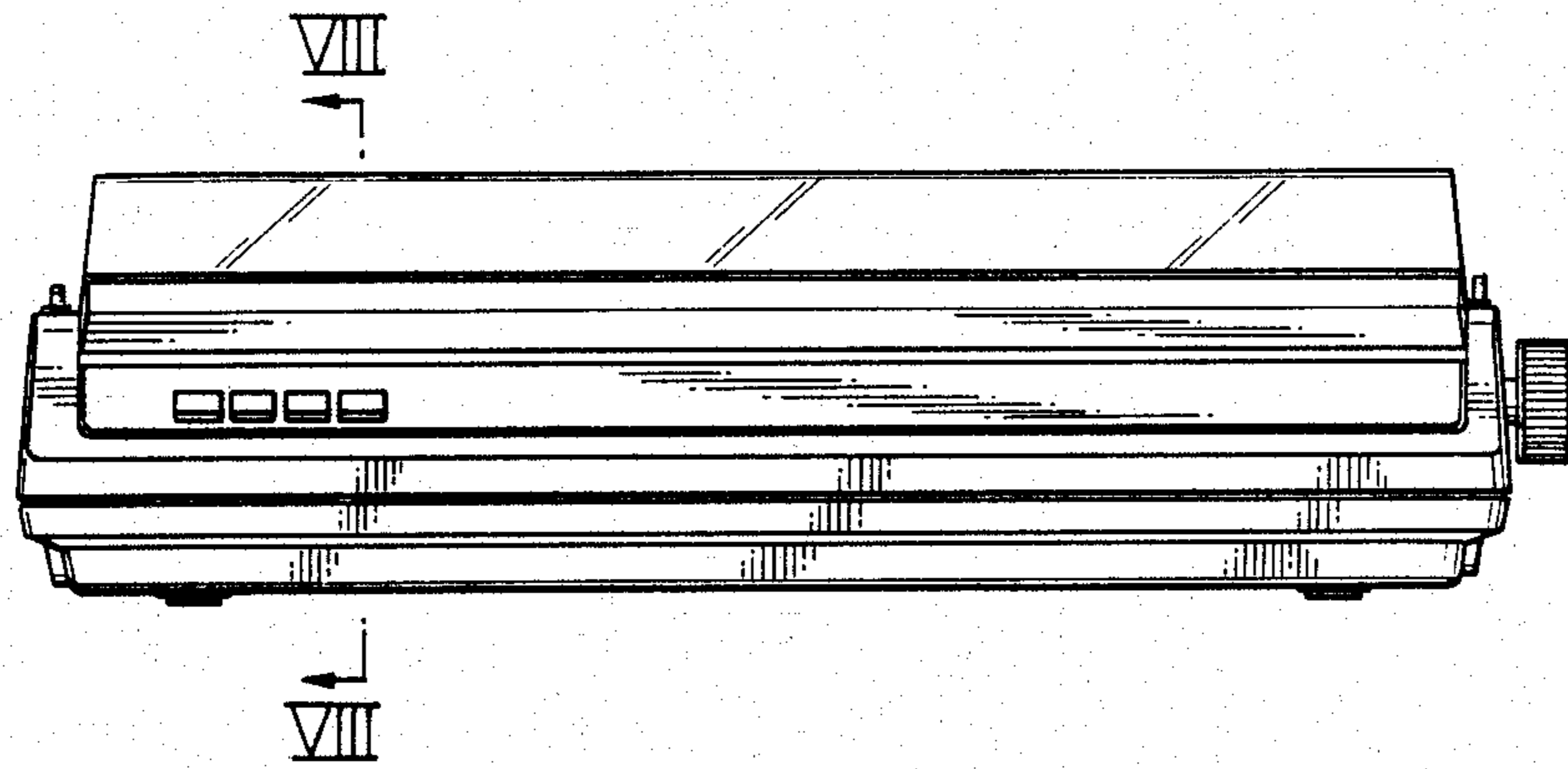


Fig. 2

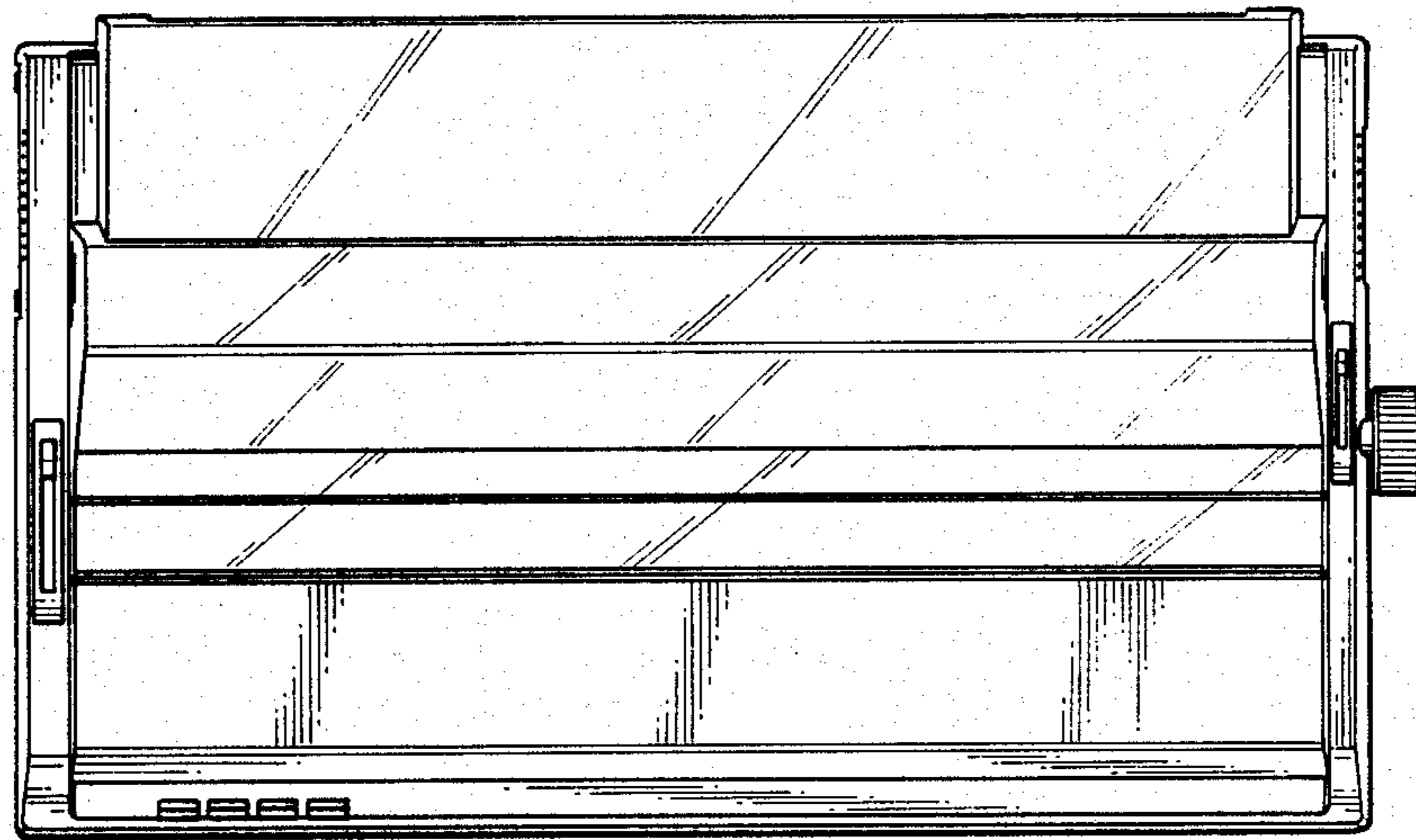


Fig. 3

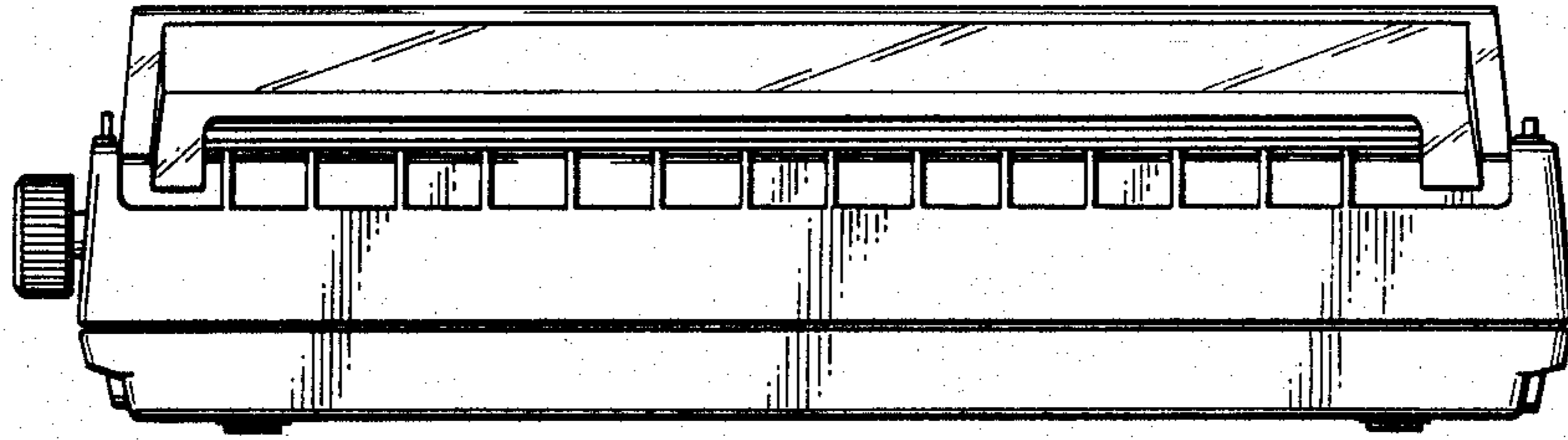


Fig. 4

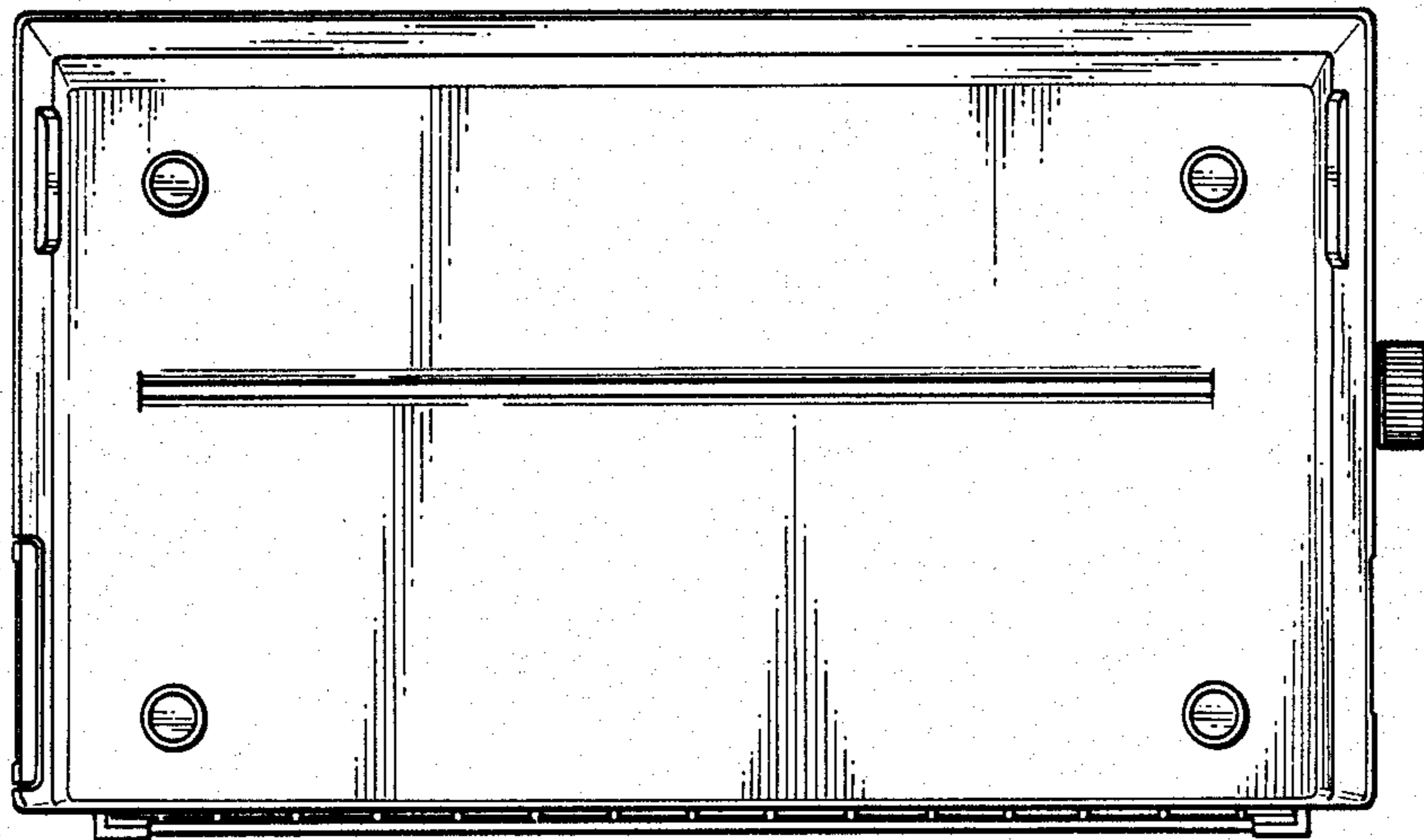


Fig. 5

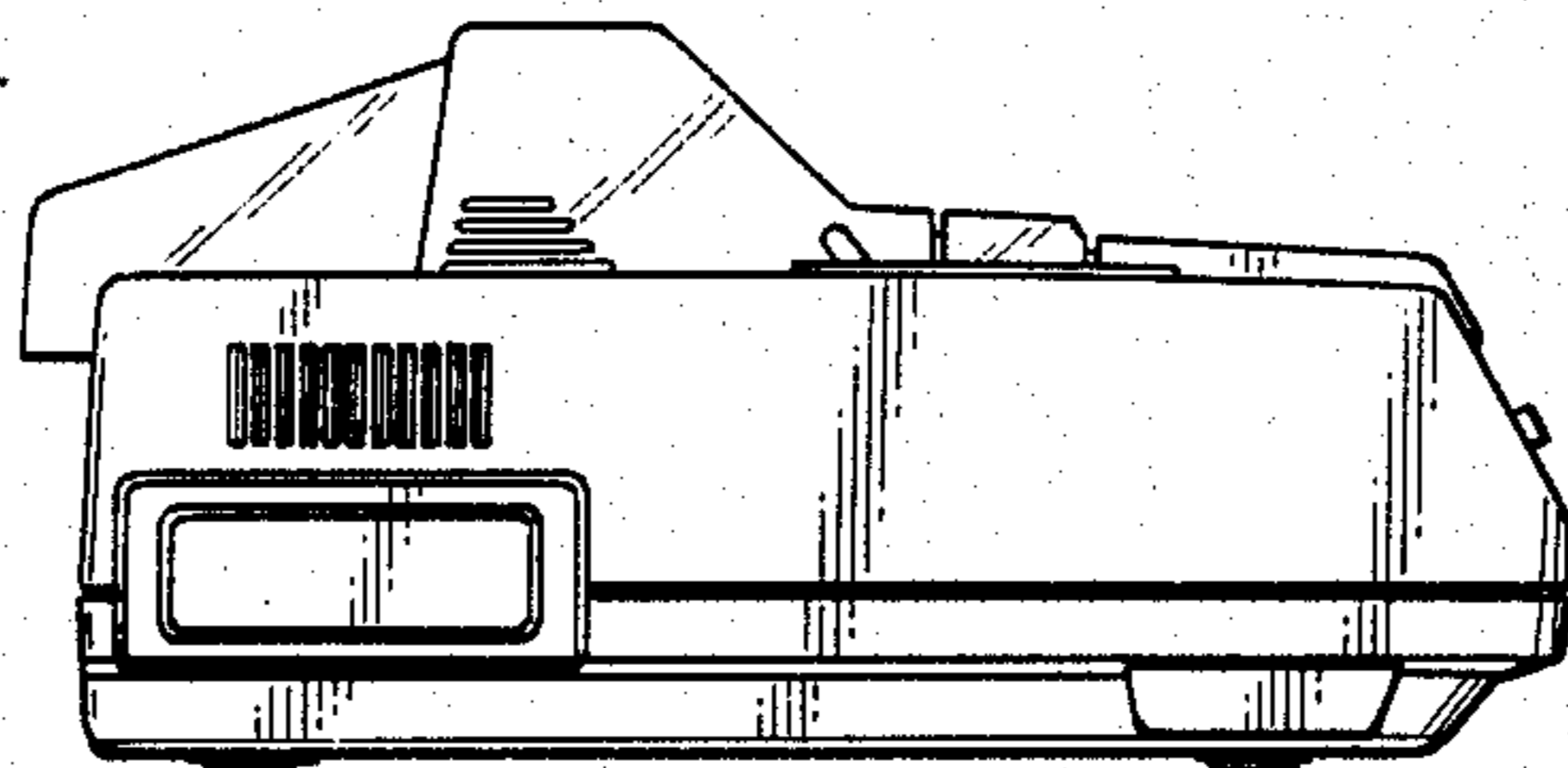


Fig. 6

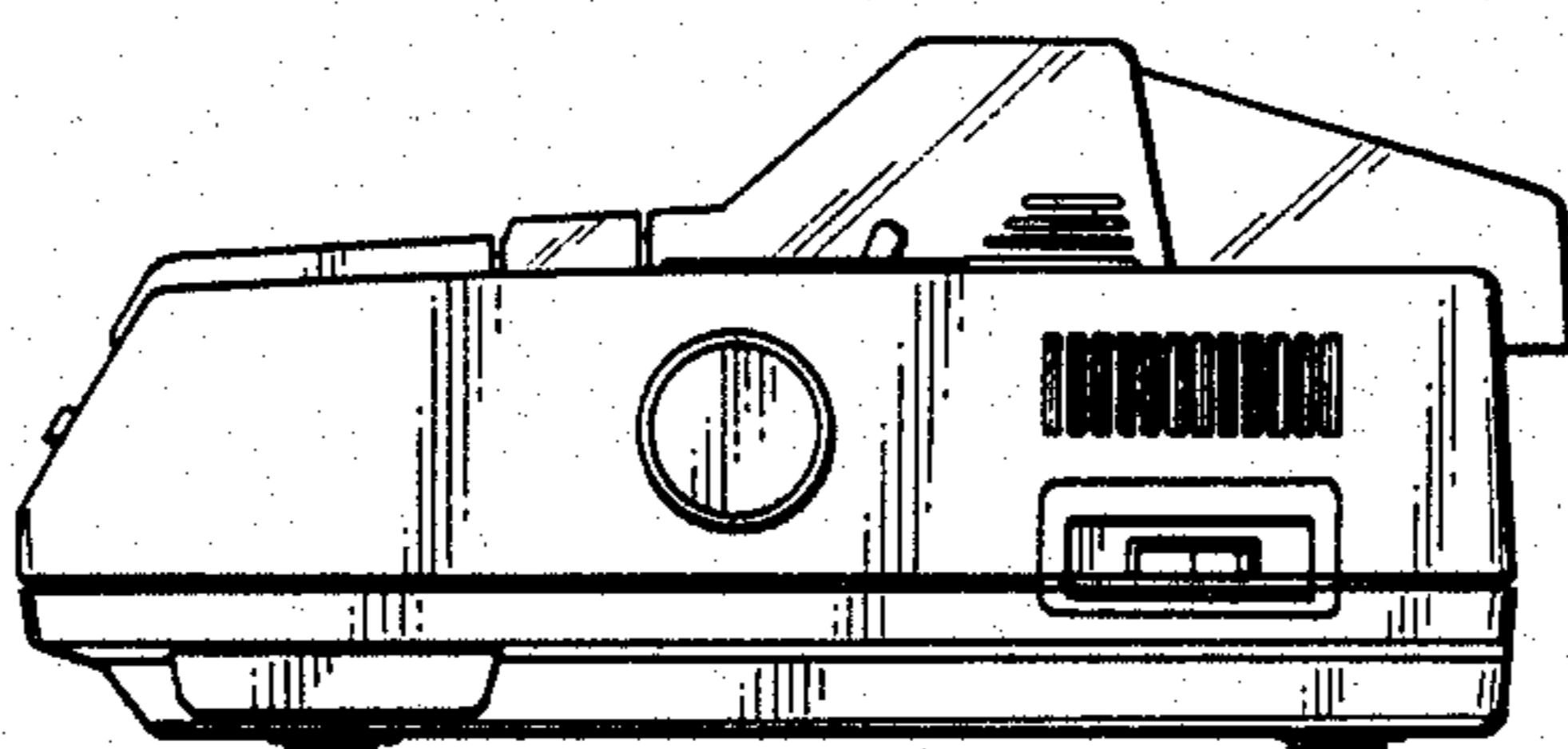


Fig. 7

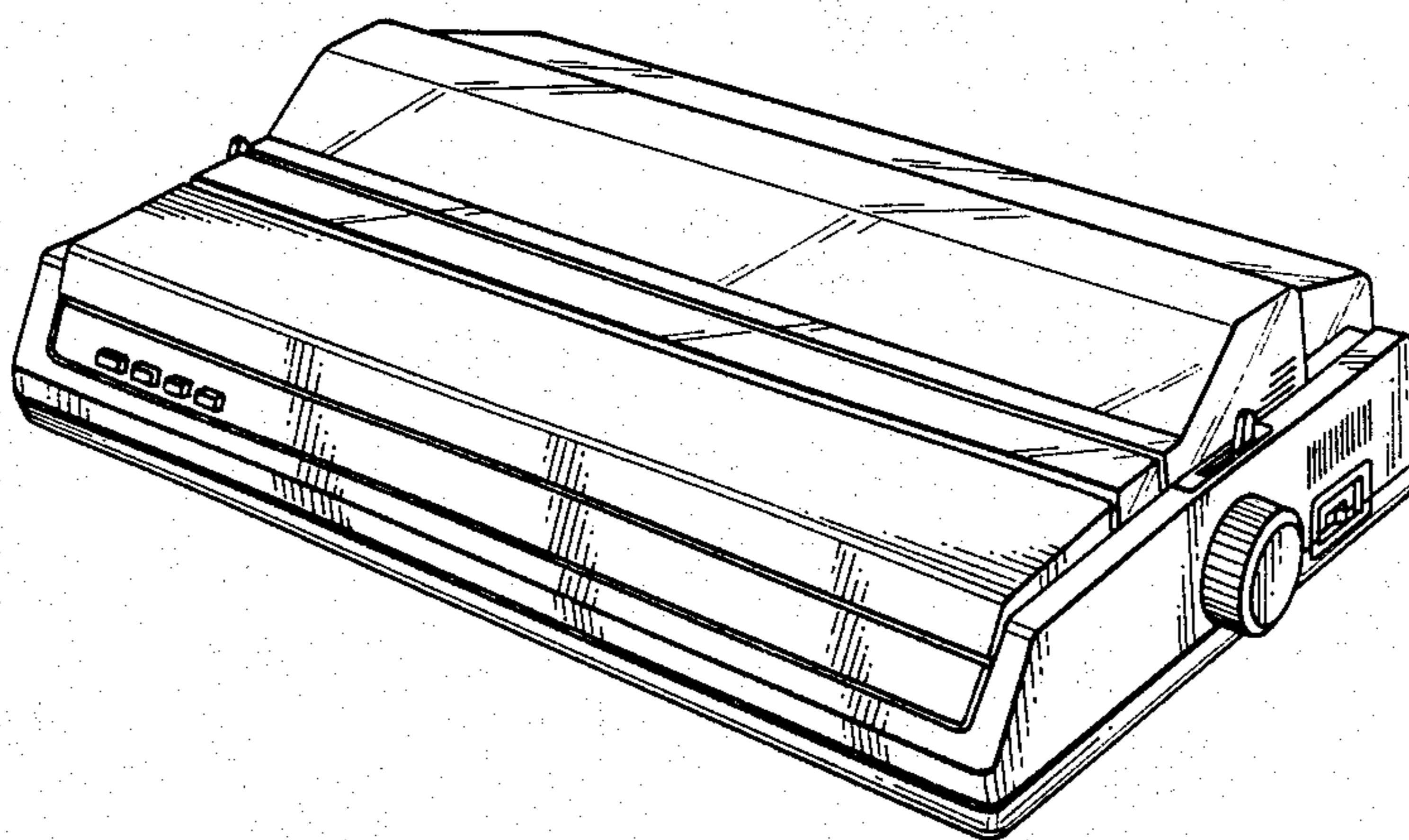


Fig. 8

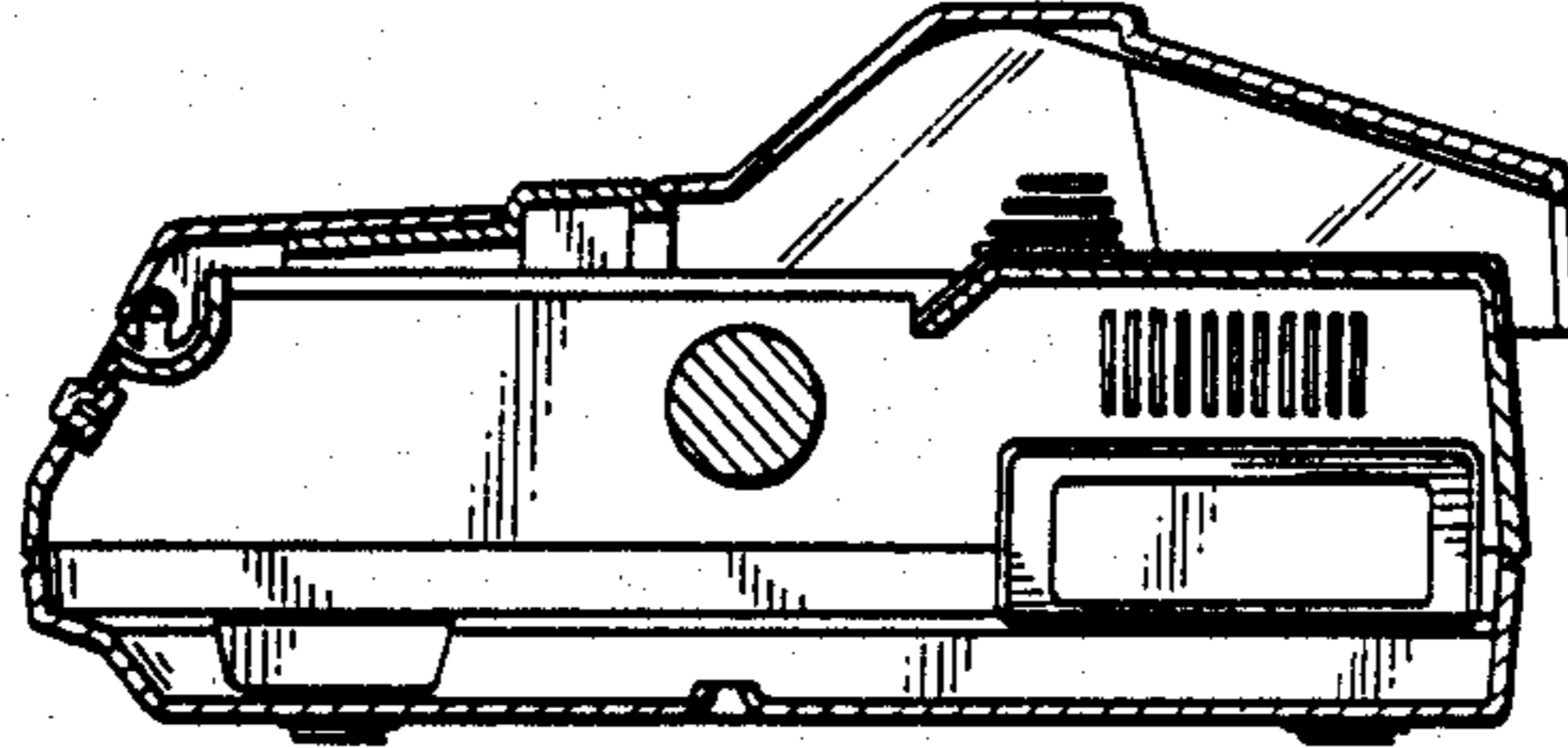


Fig. 9

