

[54] **SPEED CONTROL HANDLE FOR A PAVEMENT SAW**

[75] **Inventor: James R. Wright, Grandview, Mo.**

[73] **Assignee: Magnum Diamond & Machinery, Inc., Grandview, Mo.**

[**] **Term: 14 Years**

[21] **Appl. No.: 833,487**

[22] **Filed: Feb. 12, 1986**

[52] **U.S. Cl. D15/142**

[58] **Field of Search D15/20, 28, 127, 133, D15/138, 142; 30/379, 379.5, 514, 517-519; 51/392; 173/170; 200/335; 16/110 R, 111 R, DIG. 19; 299/36, 39-41; 125/16 L; D8/DIG. 1; D13/32**

[56] **References Cited**

U.S. PATENT DOCUMENTS

- D. 218,381 8/1970 Eyck D15/133
- D. 268,669 4/1983 Holce et al. D13/32
- D. 275,678 9/1984 Mawhorr et al. D15/20
- 4,023,827 5/1977 Matalonis et al. 16/110 R

OTHER PUBLICATIONS

Goldblatt, ©1980, p. 19, "Goldblatt Concrete Saws", (upper rt. corner).
Target, Concrete Saws advertisement.
Deluxe, 65 Saw advertisement.
Longyear Series 3000 Concrete Saws advertisement.

Primary Examiner—Wallace R. Burke
Assistant Examiner—Ruth Takemoto
Attorney, Agent, or Firm—Litman McMahon & Brown

[57] **CLAIM**

The ornamental design for a speed control handle for a pavement saw, as shown and described.

DESCRIPTION

FIG. 1 is a top, front and side perspective view of a speed control handle for a pavement saw showing my new design;

FIG. 2 is a top plan view thereof;

FIG. 3 is a front elevational view thereof, the rear view being a mirror image;

FIG. 4 is a side elevational view thereof; and,

FIG. 5 is a side elevational view of the opposite side of FIG. 4.

The slotted plate shown in broken lines in FIGS. 1-5 is for illustrative purposes only and forms no part of the claimed design.

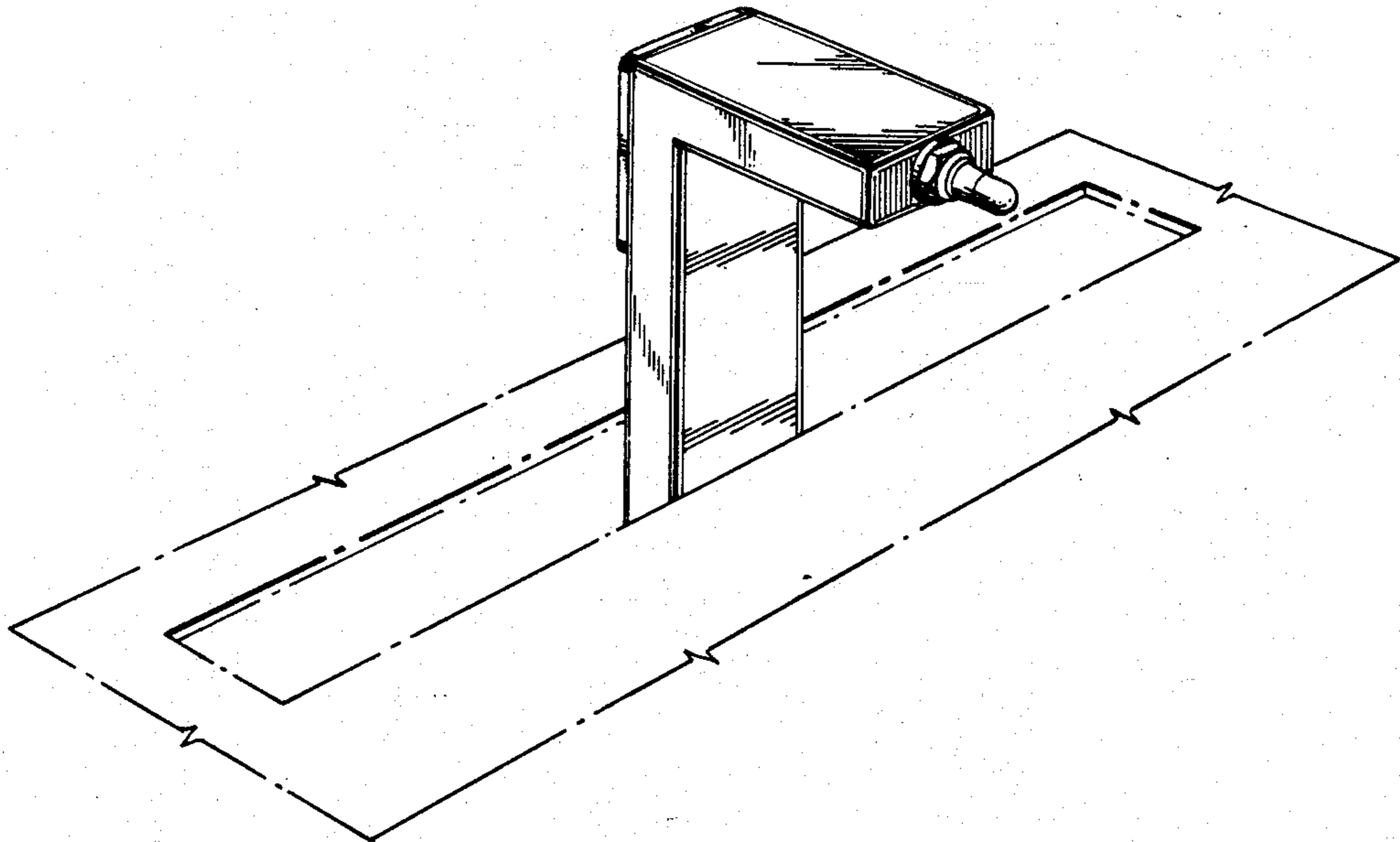


Fig. 1.

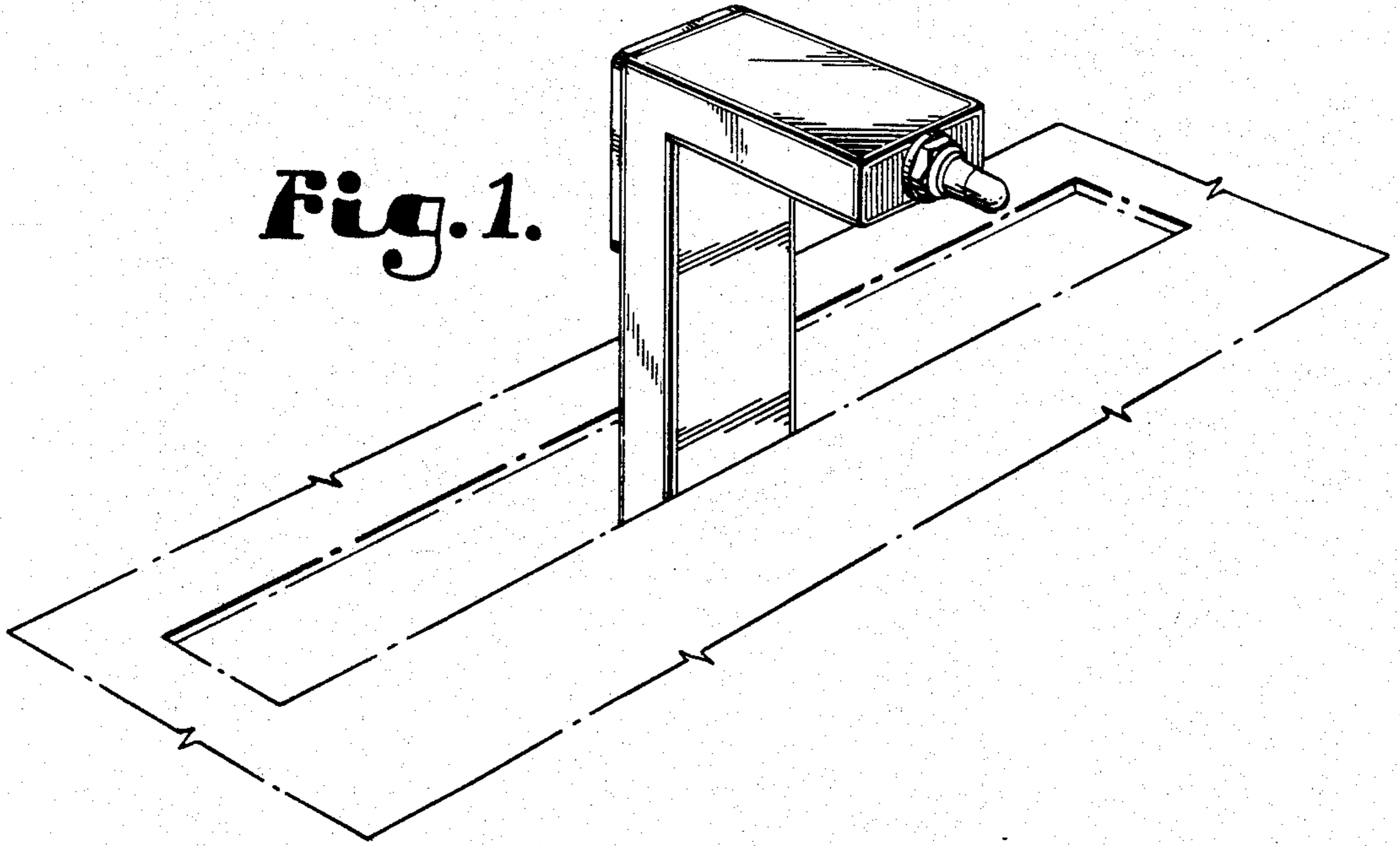


Fig. 2.

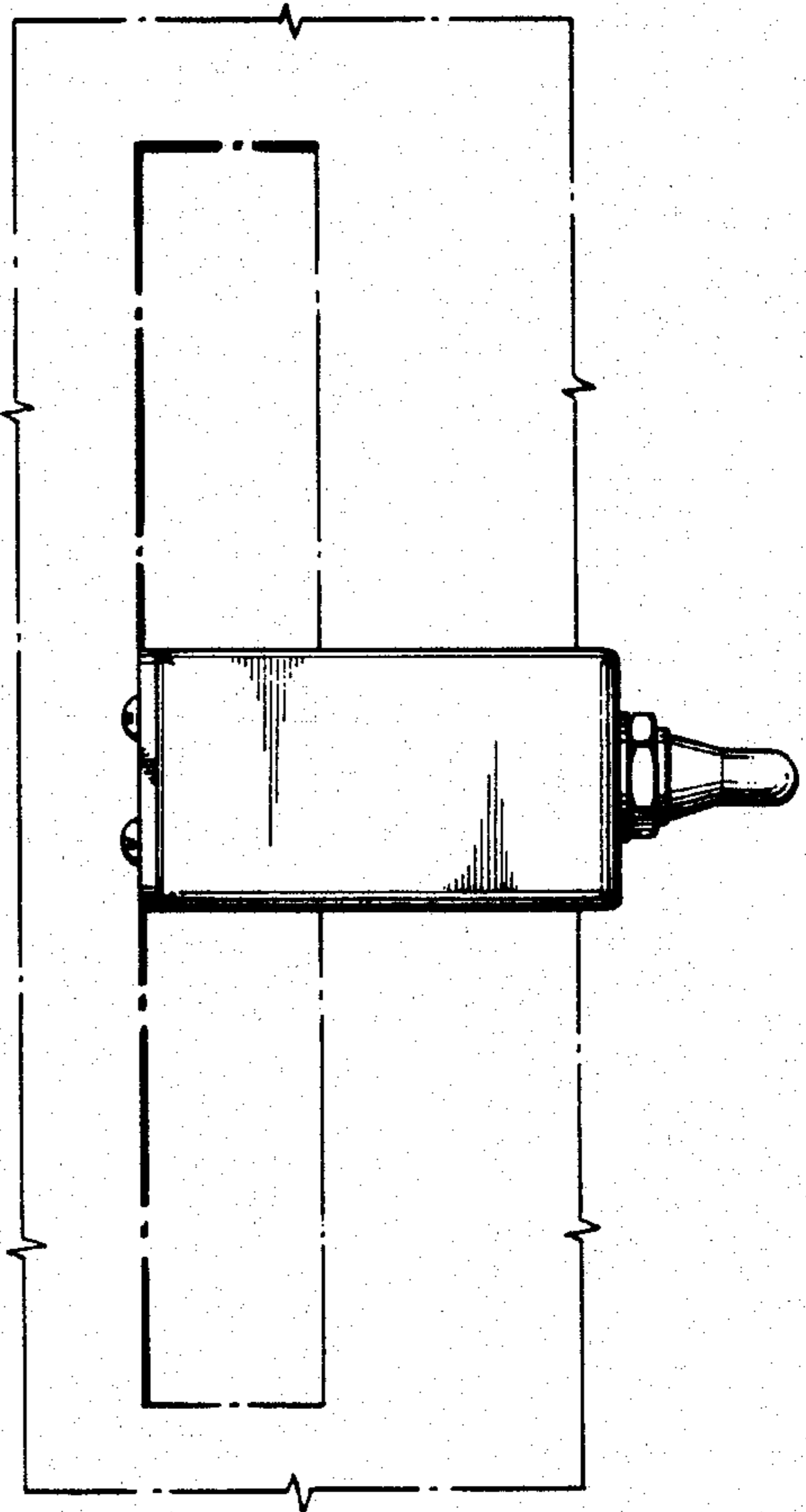


Fig. 3.

