

[54] CRADLE FOR A PORTABLE RADIO TELEPHONE SET

[75] Inventors: Minoru Hotsumi; Yasuhito Nagaki, both of Tokyo, Japan

[73] Assignee: NEC Corporation, Tokyo, Japan

[\*\*] Term: 14 Years

[21] Appl. No.: 127,012

[22] Filed: Nov. 30, 1987

[30] Foreign Application Priority Data

May 29, 1987 [JP] Japan ..... 62-21920

[52] U.S. Cl. .... D14/142

[58] Field of Search ..... D14/53, 60; 379/454, 379/455, 145, 60, 419, 428, 434, 435, 440

[56] References Cited

U.S. PATENT DOCUMENTS

- D. 157,849 3/1950 Dreyfuss ..... 379/455 X
- D. 248,102 6/1978 Blake ..... 379/455 X
- D. 248,950 8/1978 Vitacco ..... 379/455 X
- D. 253,703 12/1979 Hillmer et al. .... D14/60 X

- D. 275,482 9/1984 Coons et al. .... D14/60
- D. 276,809 12/1984 Taylor ..... D14/60
- 3,136,852 6/1964 Kay ..... 379/455 X
- 3,150,239 9/1964 Fielder, Jr. .... 379/455
- 3,889,071 6/1975 Davis et al. .... 379/454 X
- 3,956,600 5/1976 Ray ..... 379/455
- 4,763,352 8/1988 Goff ..... 379/145

Primary Examiner—Horace B. Fay, Jr.  
Attorney, Agent, or Firm—Sughrue, Mion, Zinn, Macpeak & Seas

[57] CLAIM

The ornamental design for a cradle for a portable radio telephone set, as shown.

DESCRIPTION

FIG. 1 is a top plan view of a cradle for a portable radio telephone set showing our new design; FIG. 2 is a front elevational view thereof; FIG. 3 is a right side elevational view thereof; FIG. 4 is a left side elevational view thereof; FIG. 5 is a rear elevational view thereof; FIG. 6 is a bottom plan view thereof; and FIG. 7 is a front, top and right side perspective view thereof.

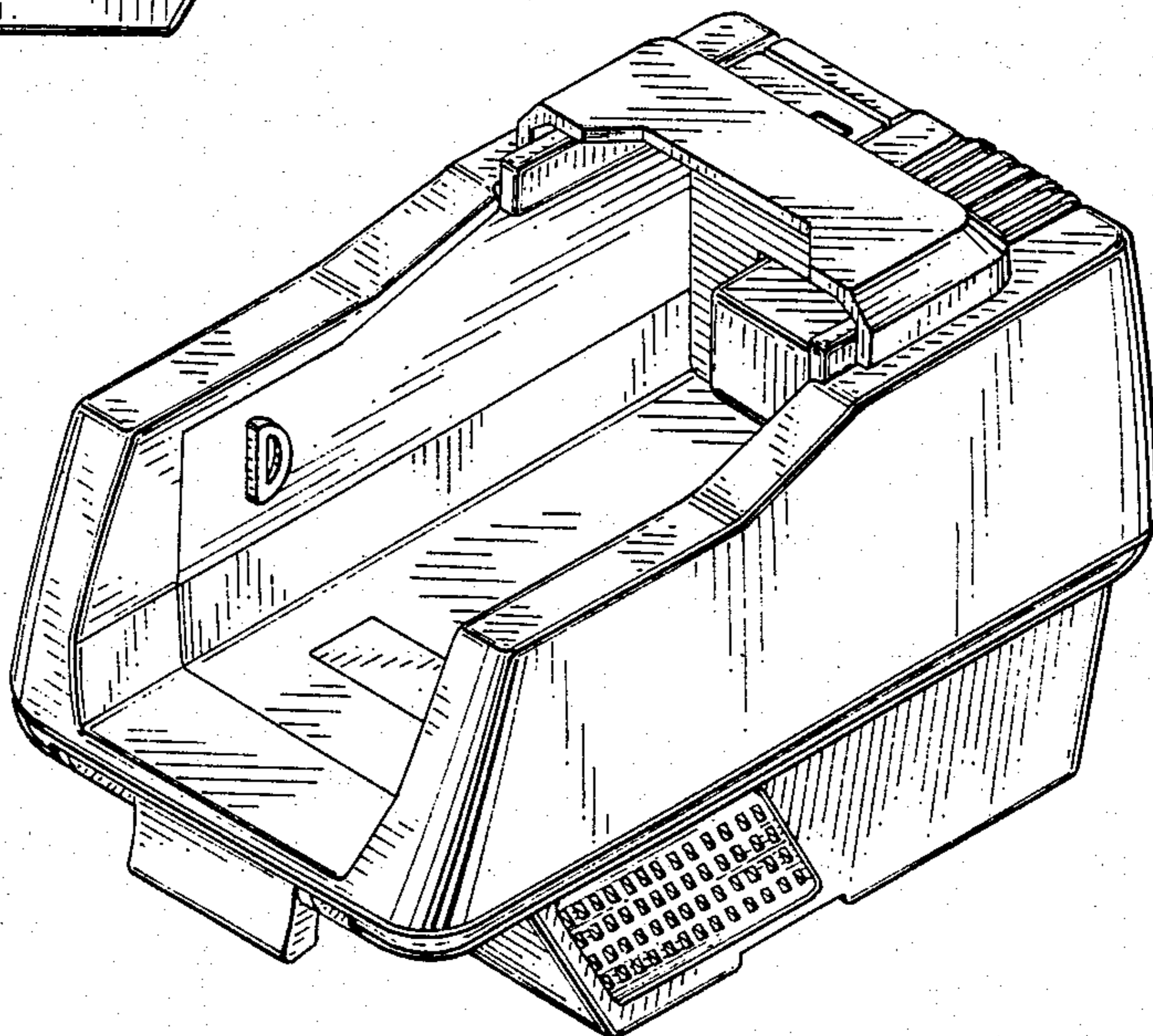
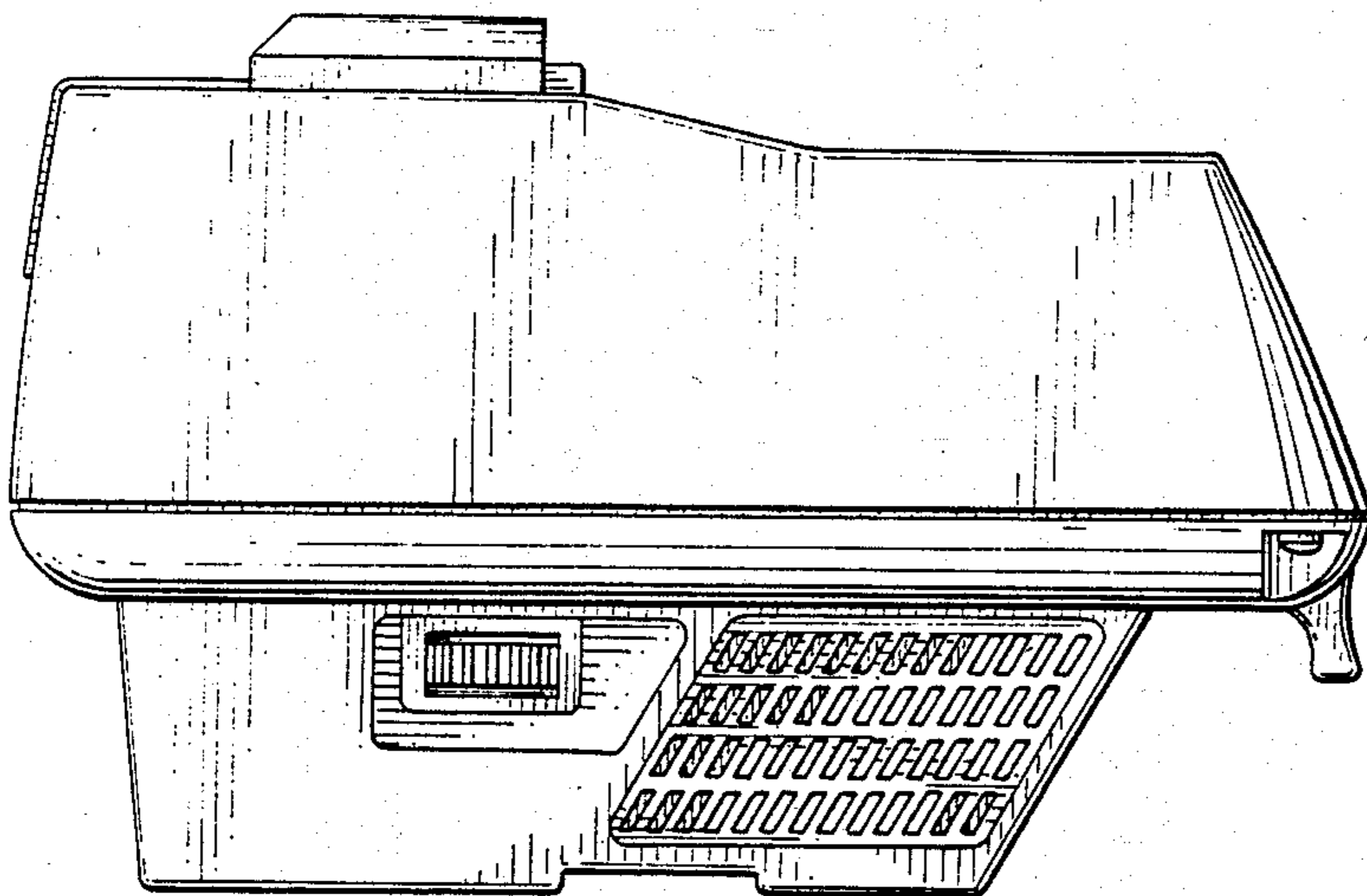


FIG. 1

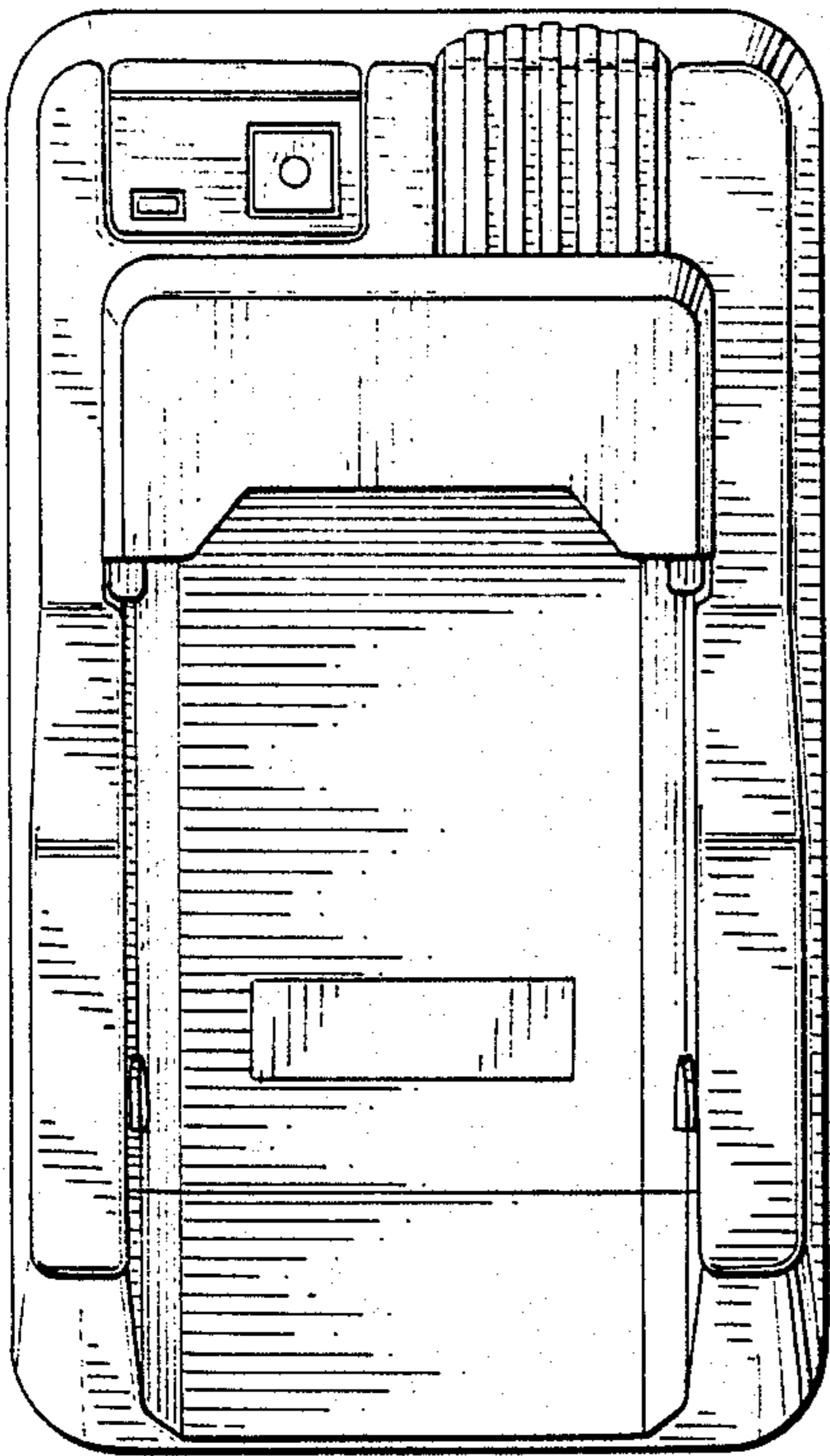


FIG. 2

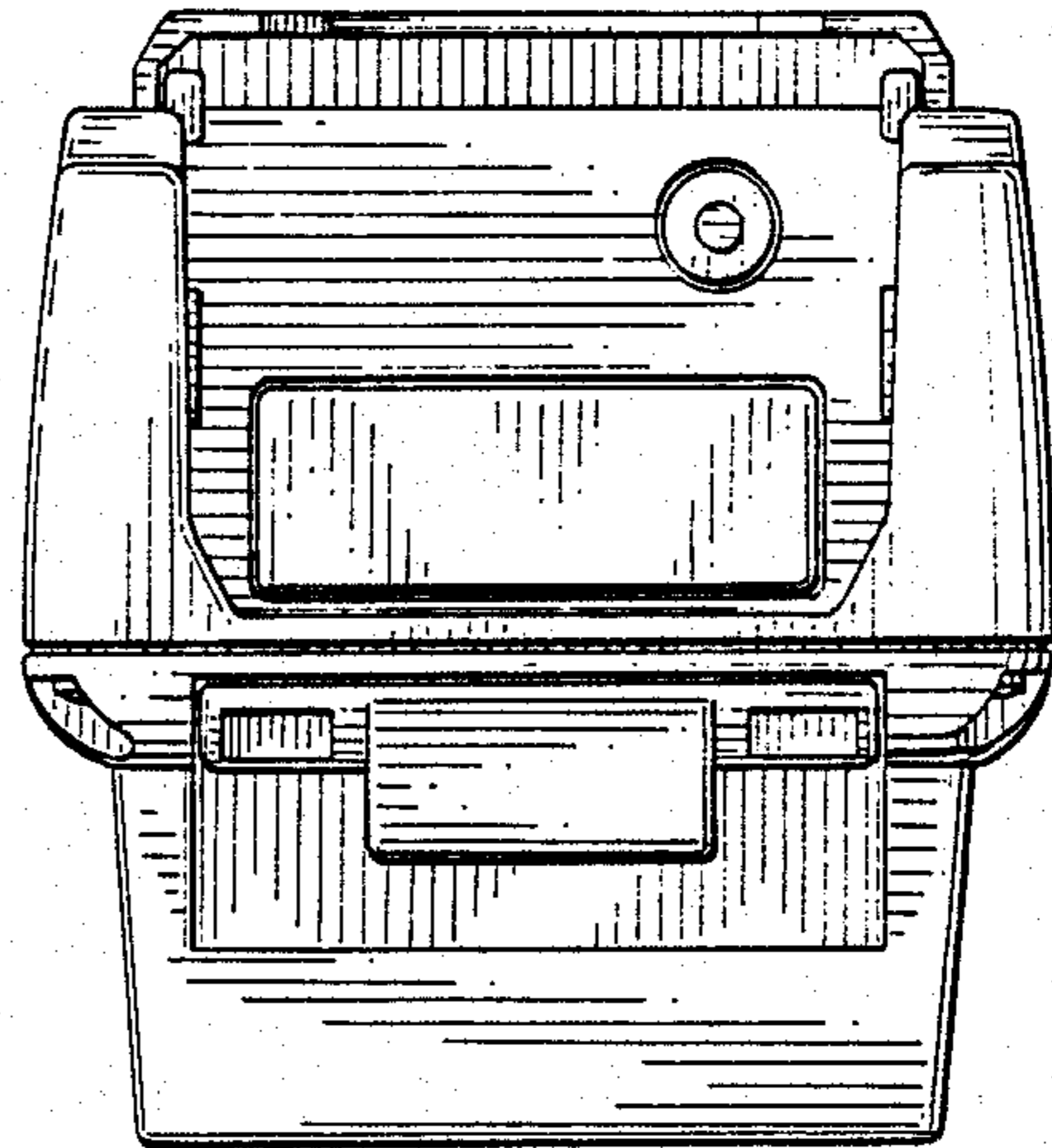


FIG. 3

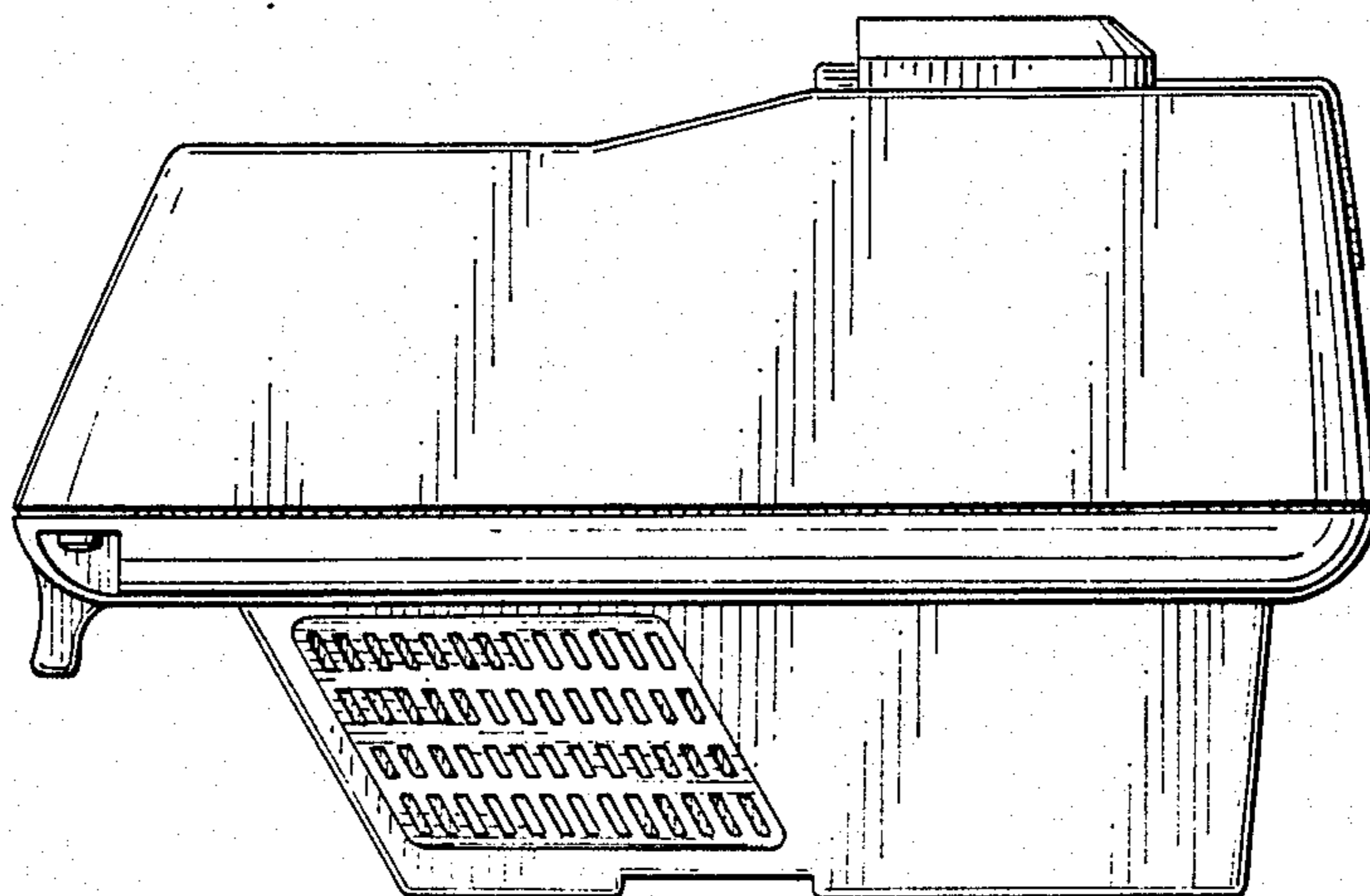


FIG. 4

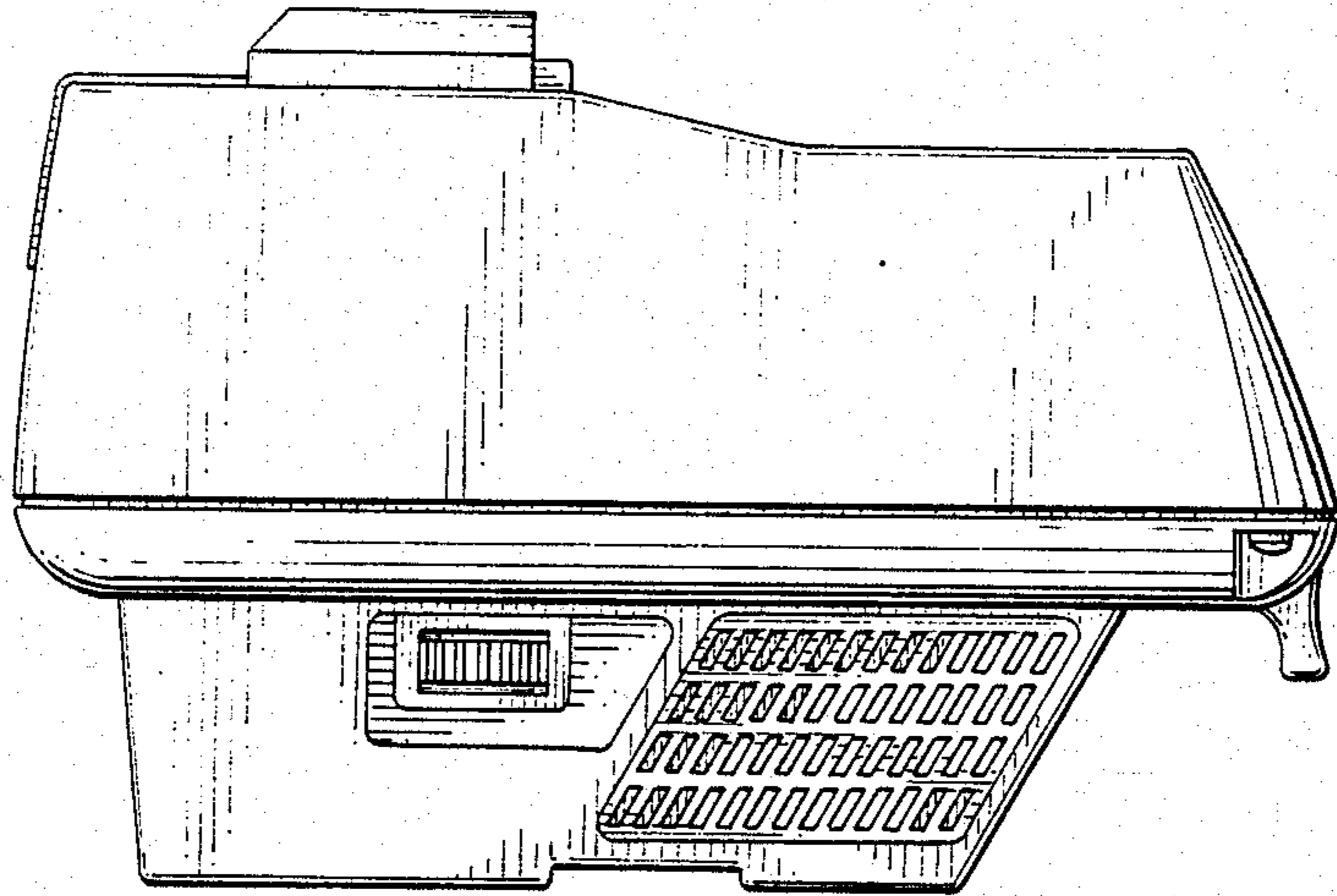


FIG. 6

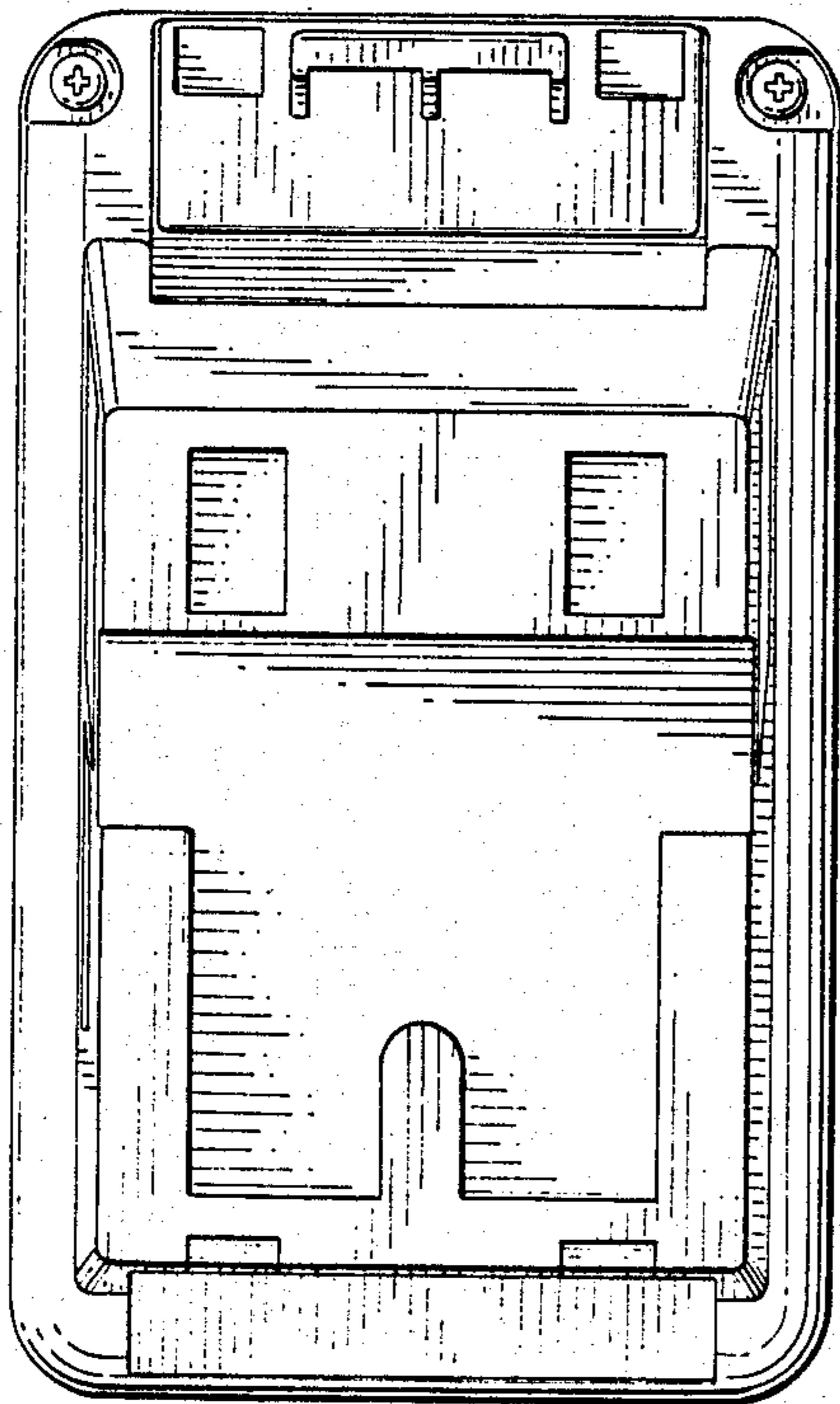


FIG. 5

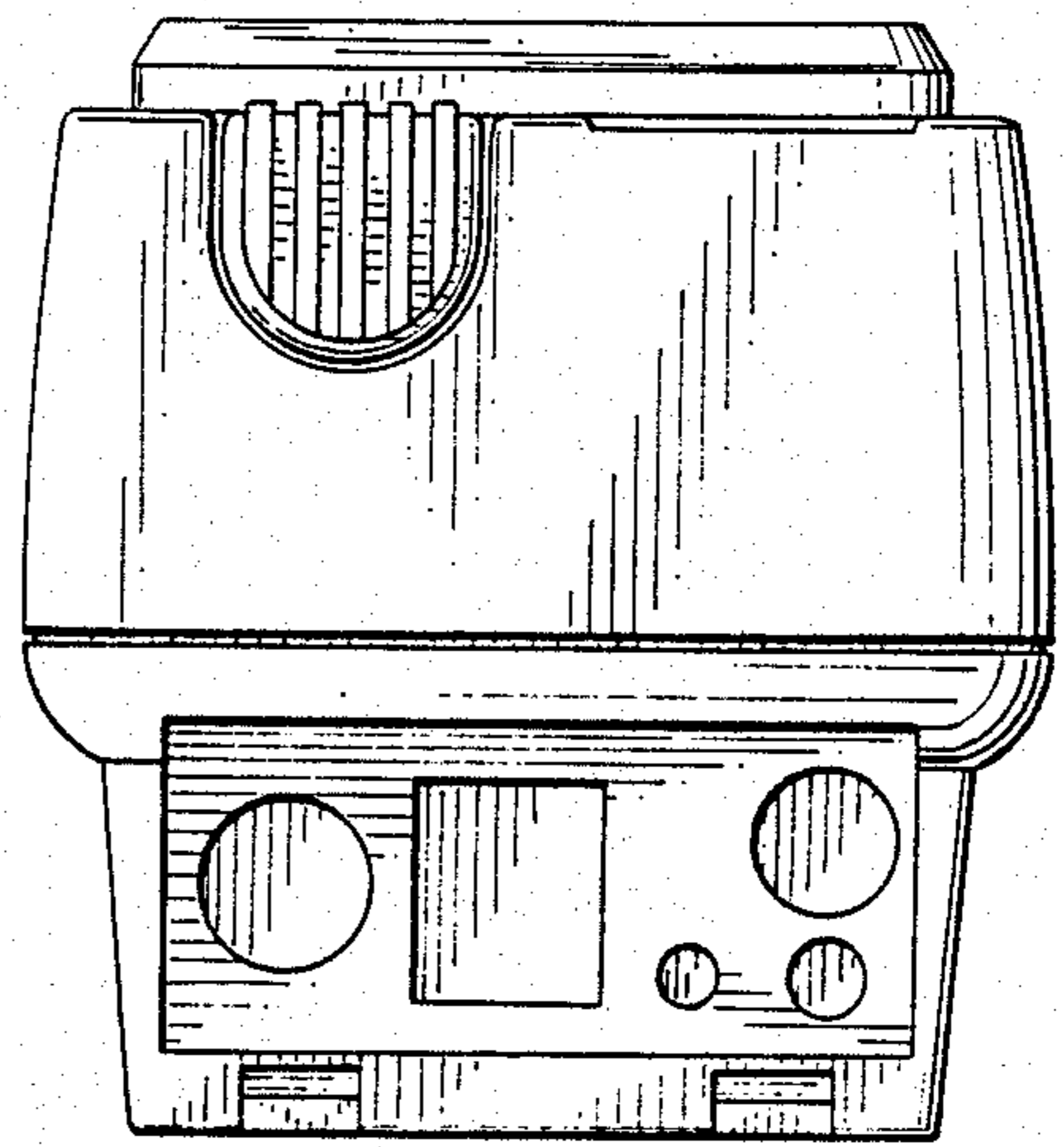


FIG. 7

