

[54] COMBINED DUMMY CONTROL UNIT AND HOLDER THEREFOR WITH UPRIGHT SUPPORT AND BASE FOR A MOBILE RADIOTELEPHONE SET

[75] Inventor: Jorma Pitkonen, Turku, Finland

[73] Assignee: Mobira Oy, Salo, Finland

[**] Term: 14 Years

[21] Appl. No.: 200,316

[22] Filed: May 31, 1988

Related U.S. Application Data

[62] Division of Ser. No. 850,346, Apr. 4, 1986.

[30] Foreign Application Priority Data

Oct. 11, 1985 [FI] Finland 771/85
[52] U.S. Cl. D14/138; D14/148
[58] Field of Search D14/52, 53, 59, 60, D14/62, 63, 64, 66; 379/58, 59, 440, 432, 434, 419, 428; 455/89, 90

[56] References Cited

U.S. PATENT DOCUMENTS

- D. 257,841 1/1981 Tada D14/62
D. 265,730 8/1982 Fukushima et al. D14/66
D. 268,030 2/1983 Ault D14/66 UX
D. 270,053 8/1983 Bosch D14/66
D. 278,626 4/1985 Takagi D14/64 X
D. 280,099 8/1985 Topp D14/66

- D. 289,045 3/1987 Brown D14/66
1,371,747 3/1921 Fischer 379/455
2,048,865 7/1936 Hufschmid 379/455
2,481,271 9/1949 Witley 379/455
3,558,831 1/1971 Prescott 379/436

FOREIGN PATENT DOCUMENTS

100075 7/1923 Switzerland 379/455

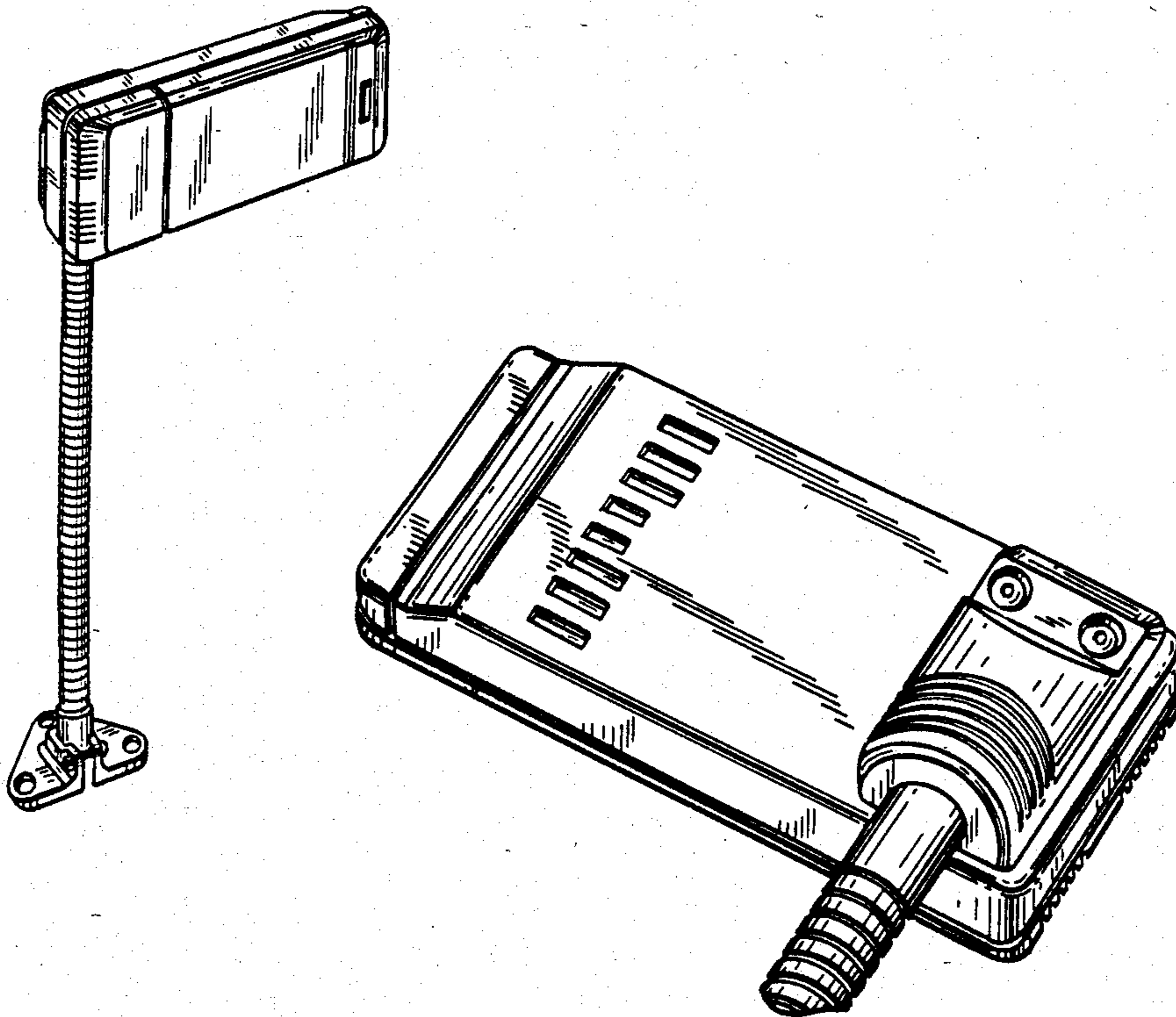
Primary Examiner—Horace B. Fay, Jr.
Attorney, Agent, or Firm—Ladas & Parry

[57] CLAIM

The ornamental design for a combined dummy control unit and holder therefor with upright support and base for a mobile radiotelephone set, as shown and described.

DESCRIPTION

FIG. 1 is a left side top and front perspective view of a combined dummy control unit holder therefor with upright support and base for a mobile radiotelephone set showing my new design;
FIG. 2 is an enlarged left side, front and bottom perspective view of the combined dummy control unit and holder therefor with the upright support shown in truncated form for facility of illustration;
FIG. 3 is a rear, top and right side perspective view of the assembly shown in FIG. 1;
FIG. 4 is a front, top and right side perspective view of the assembly shown in FIG. 1; and,
FIG. 5 is an enlarged bottom, rear and left side perspective view of the truncated assembly showing in FIG. 2.



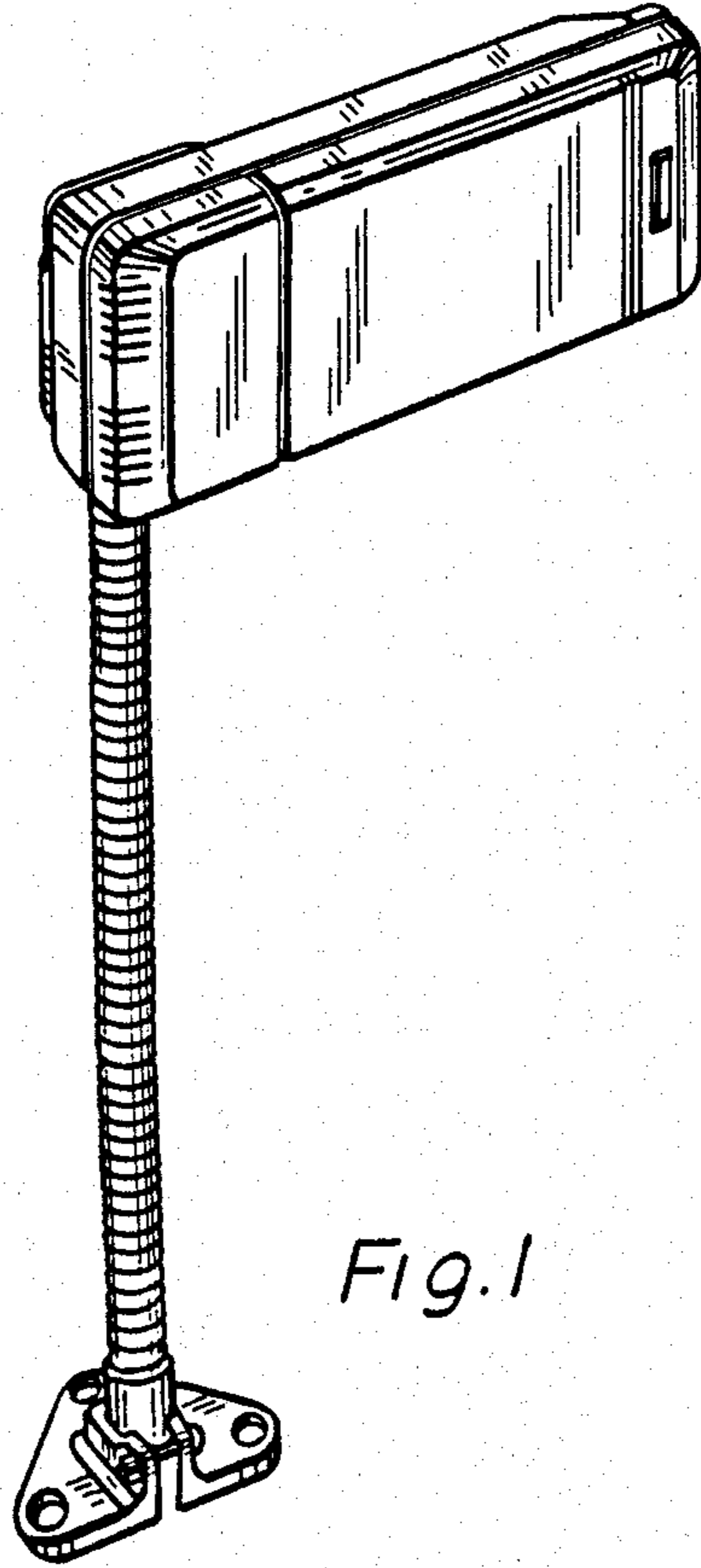


Fig. 1

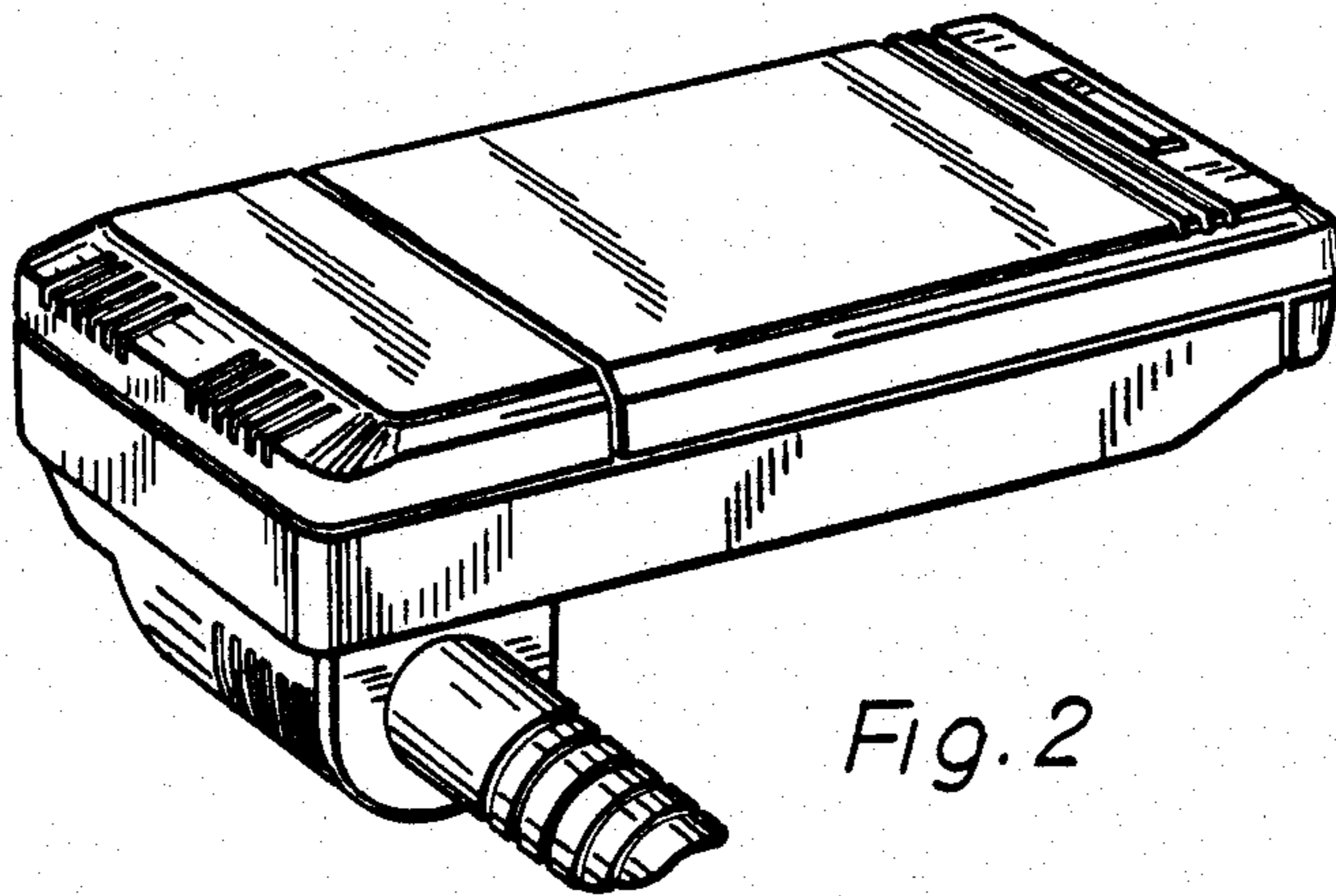


Fig. 2

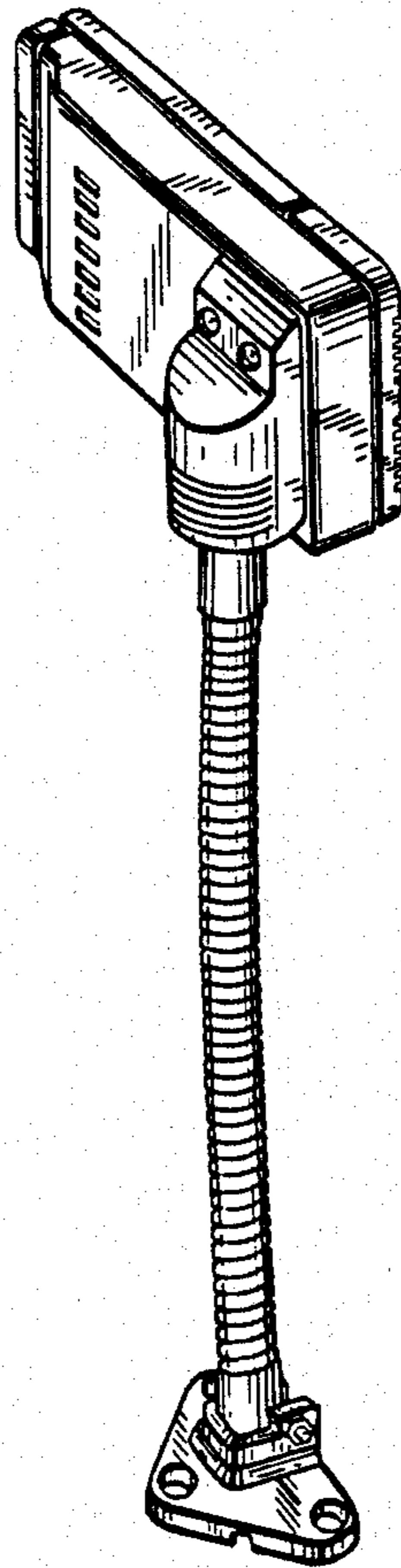


Fig. 3

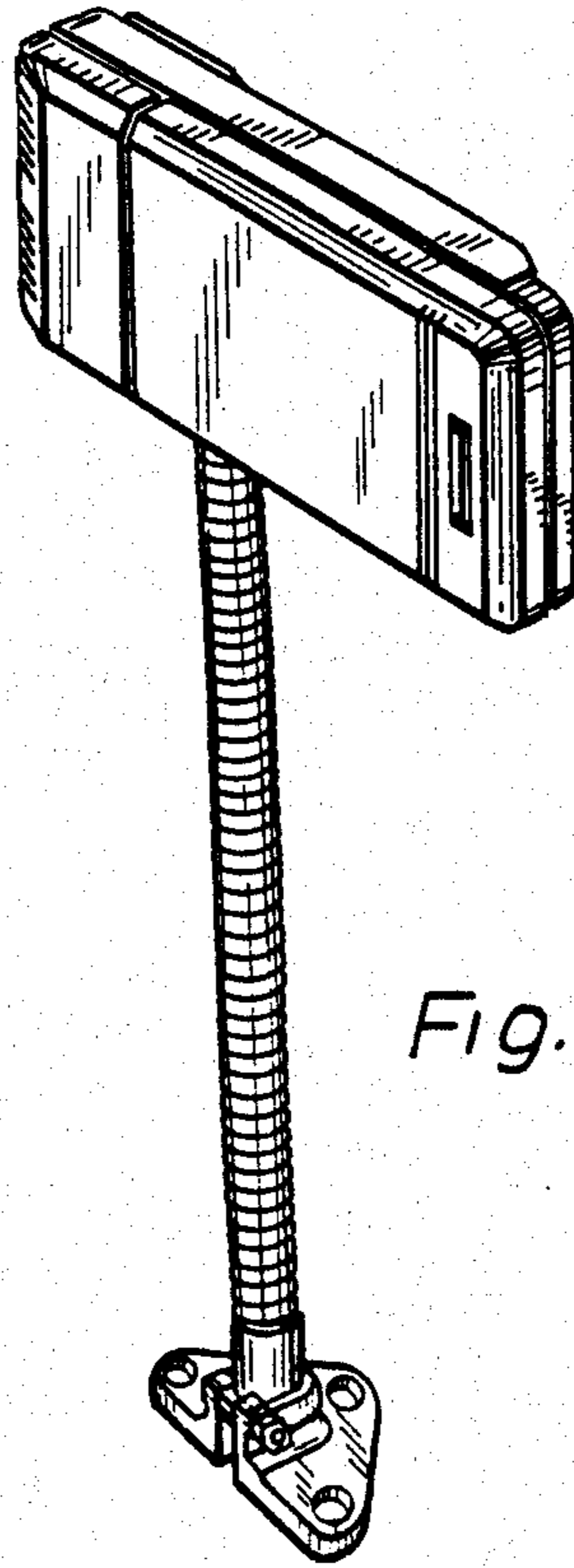


Fig. 4

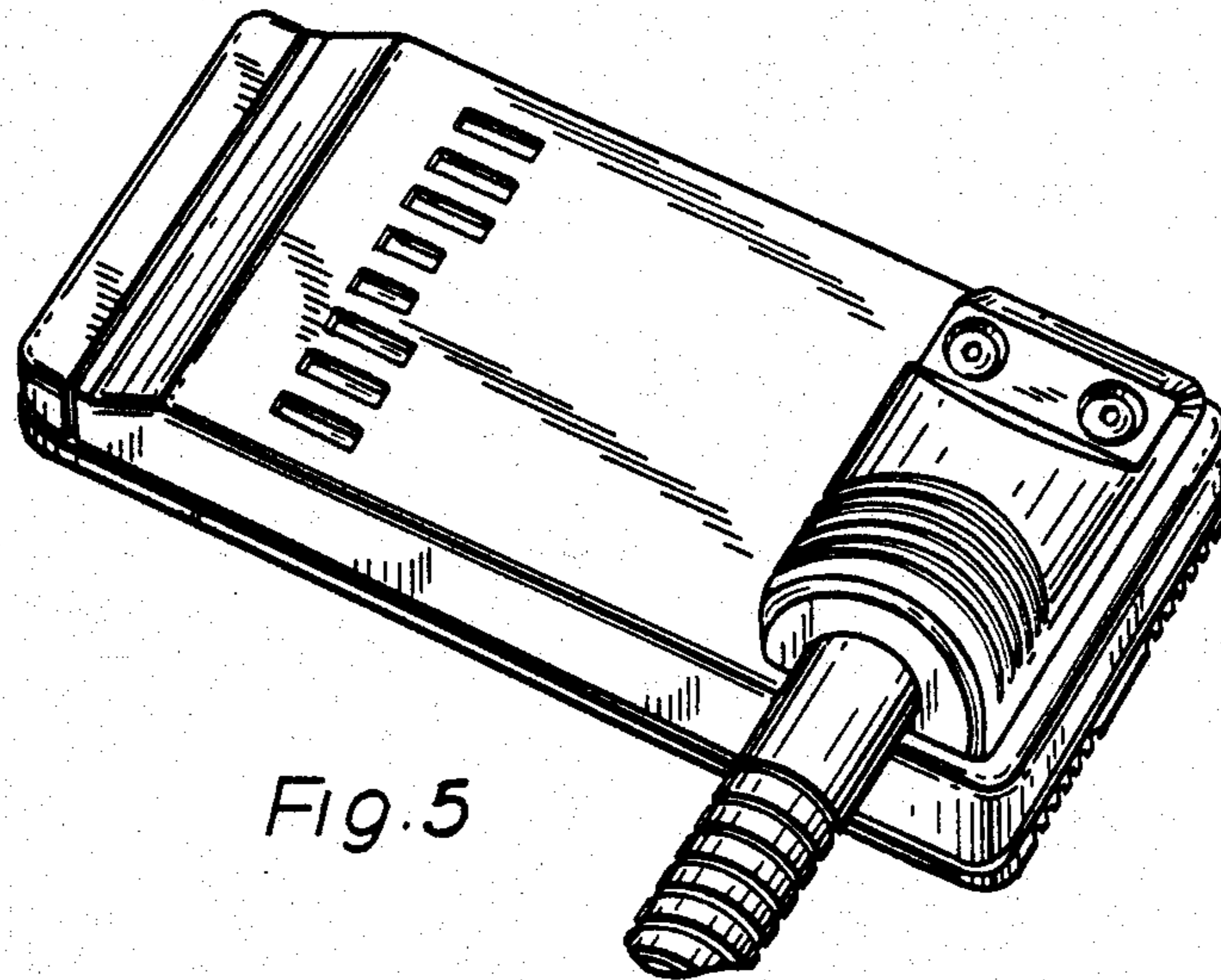


Fig. 5