

[54] COMBINED CONTROL UNIT HOLDER WITH UPRIGHT SUPPORT AND BASE FOR A MOBILE RADIOTELEPHONE SET

[75] Inventor: Jorma Pitkonen, Turku, Finland

[73] Assignee: Mobira Oy, Salo, Finland

[**] Term: 14 Years

[21] Appl. No.: 200,311

[22] Filed: May 31, 1988

Related U.S. Application Data

[62] Division of Ser. No. 850,346, Apr. 4, 1986.

[30] Foreign Application Priority Data

Oct. 11, 1985 [FI] Finland 77/85

[52] U.S. Cl. D14/138

[58] Field of Search D14/52, 53, 59, 60, D14/62, 63, 64, 66; 379/58, 59, 440, 433, 434, 419, 428; 455/89, 90

[56] References Cited

U.S. PATENT DOCUMENTS

- D. 257,841 1/1981 Tada D14/62
D. 265,730 8/1982 Fukushimer et al. D14/66
D. 268,030 2/1983 Hult D14/66 UX
D. 270,053 8/1983 Bosch D14/66
D. 278,626 4/1985 Takagi D14/64 X
D. 280,099 8/1985 Topp D1k4/66

- D. 289,045 3/1987 Brown D14/66
1,371,747 3/1921 Fischer 379/455
2,048,865 7/1936 Hufschmid 379/455
2,481,271 9/1949 Willey 379/455
3,558,831 1/1971 Prescott 379/436

FOREIGN PATENT DOCUMENTS

100075 7/1923 Switzerland 379/455

Primary Examiner—Horace B. Fay, Jr.
Attorney, Agent, or Firm—Ladas & Parry

[57] CLAIM

The ornamental design for a combined control unit holder with upright support and base for a mobile radiotelephone set, as shown and described.

DESCRIPTION

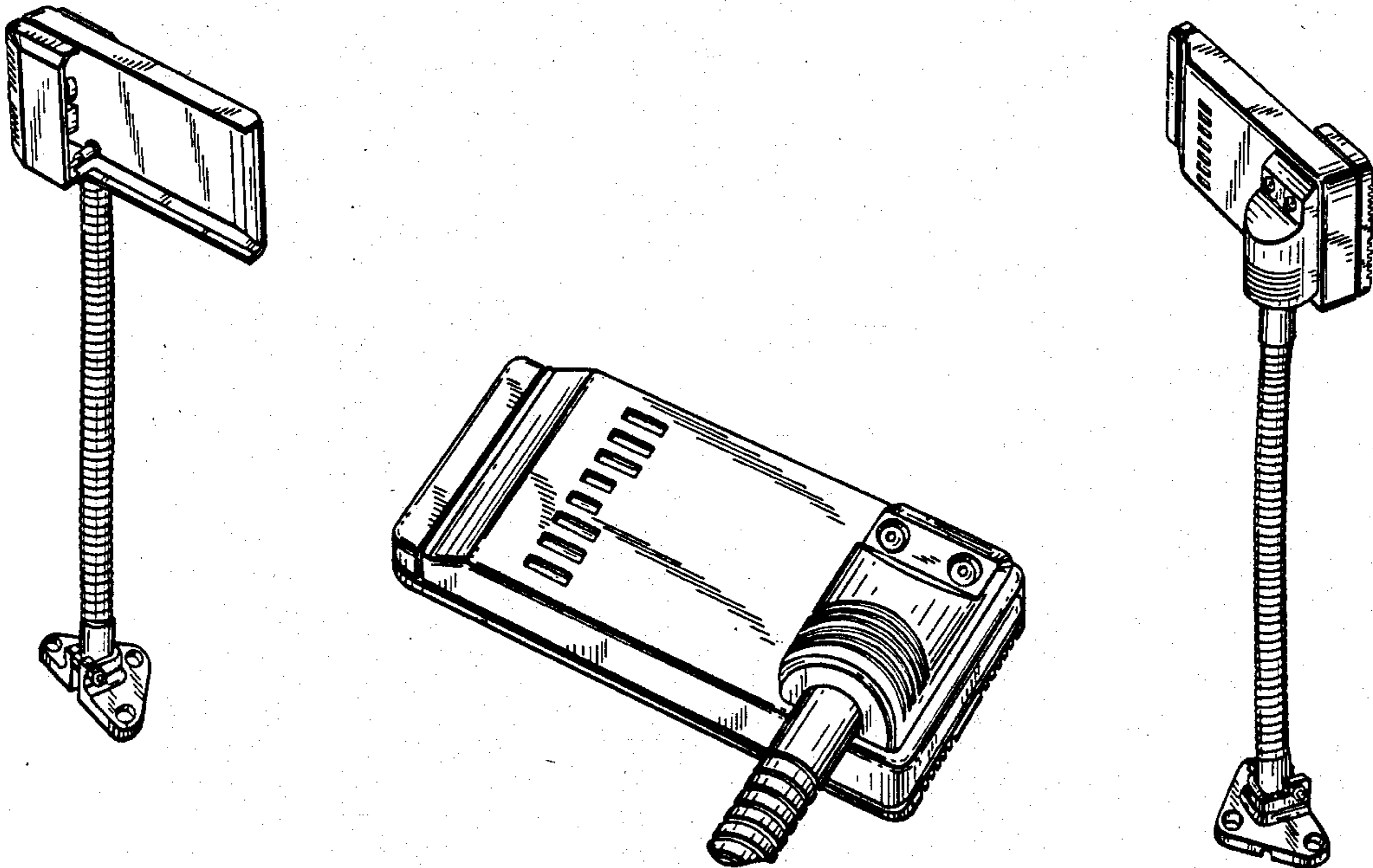
FIG. 1 is a front, top and right side perspective view of a combined control unit holder with upright support and base for a mobile radiotelephone set showing my new design;

FIG. 2 is a right side, front and top and front perspective view thereof;

FIG. 3 is an enlarged, left side and rear and bottom perspective view of the combined control unit holder with the upright support shown in truncated form for facility of illustration;

FIG. 4 is a left side, front and bottom perspective view of the truncated assembly showing in FIG. 3; and,

FIG. 5 is a rear, top and right side perspective view of the assembly shown in FIG. 1.



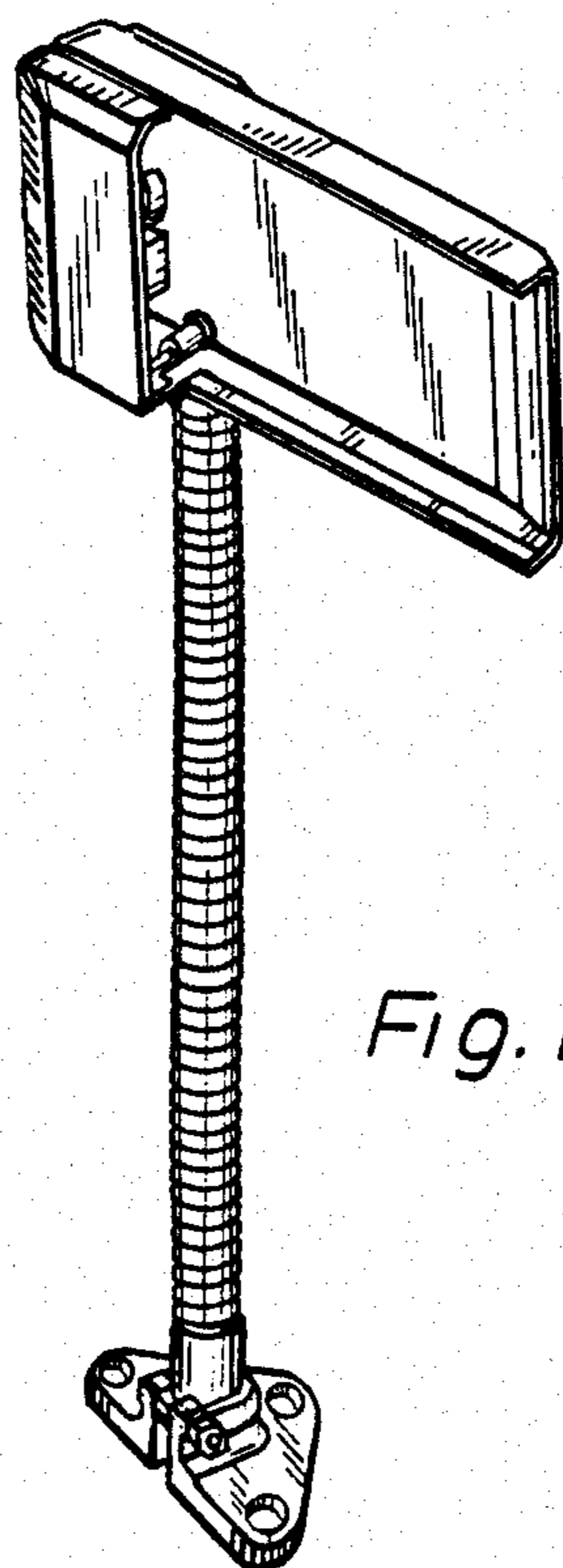


Fig. 1

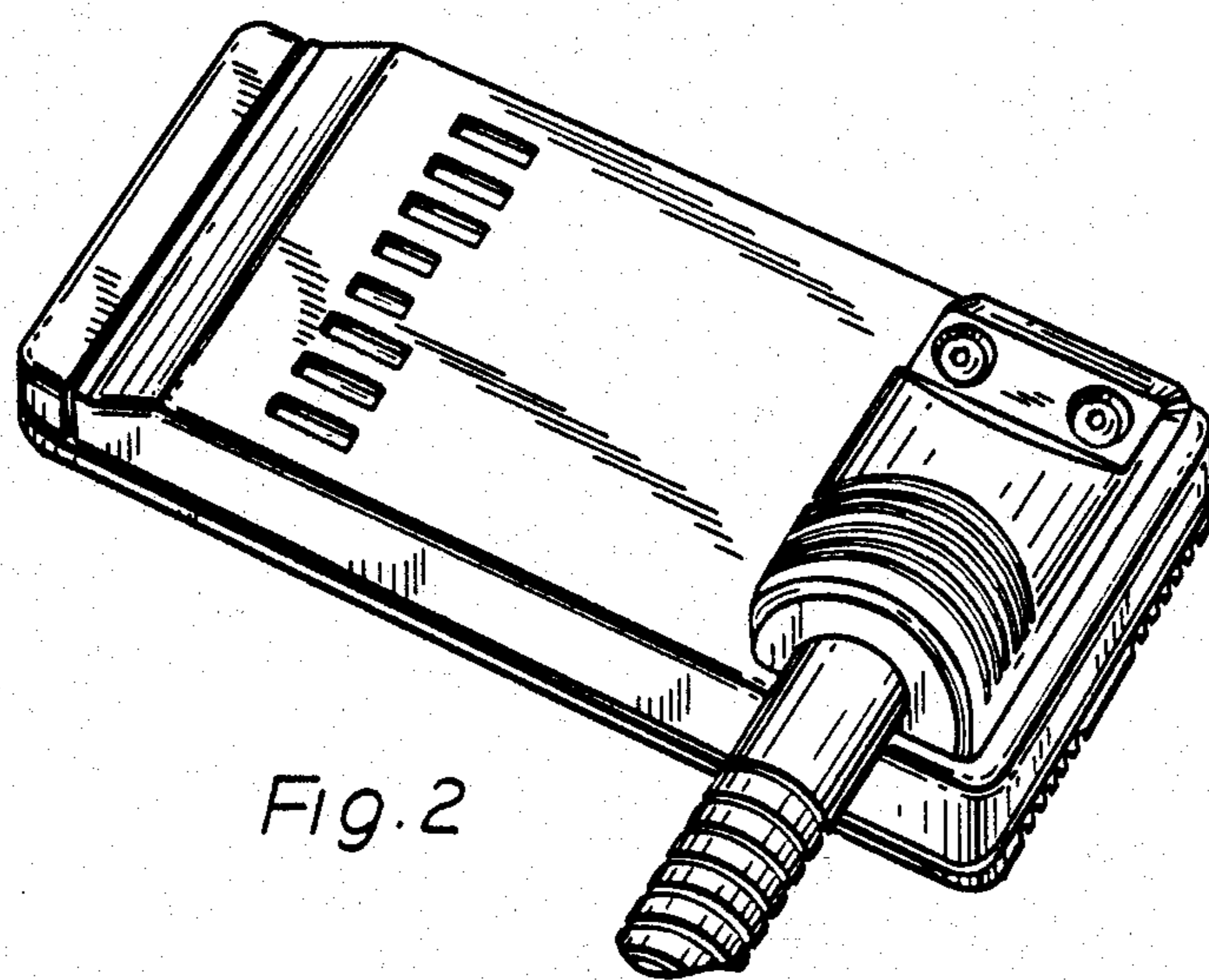


Fig. 2

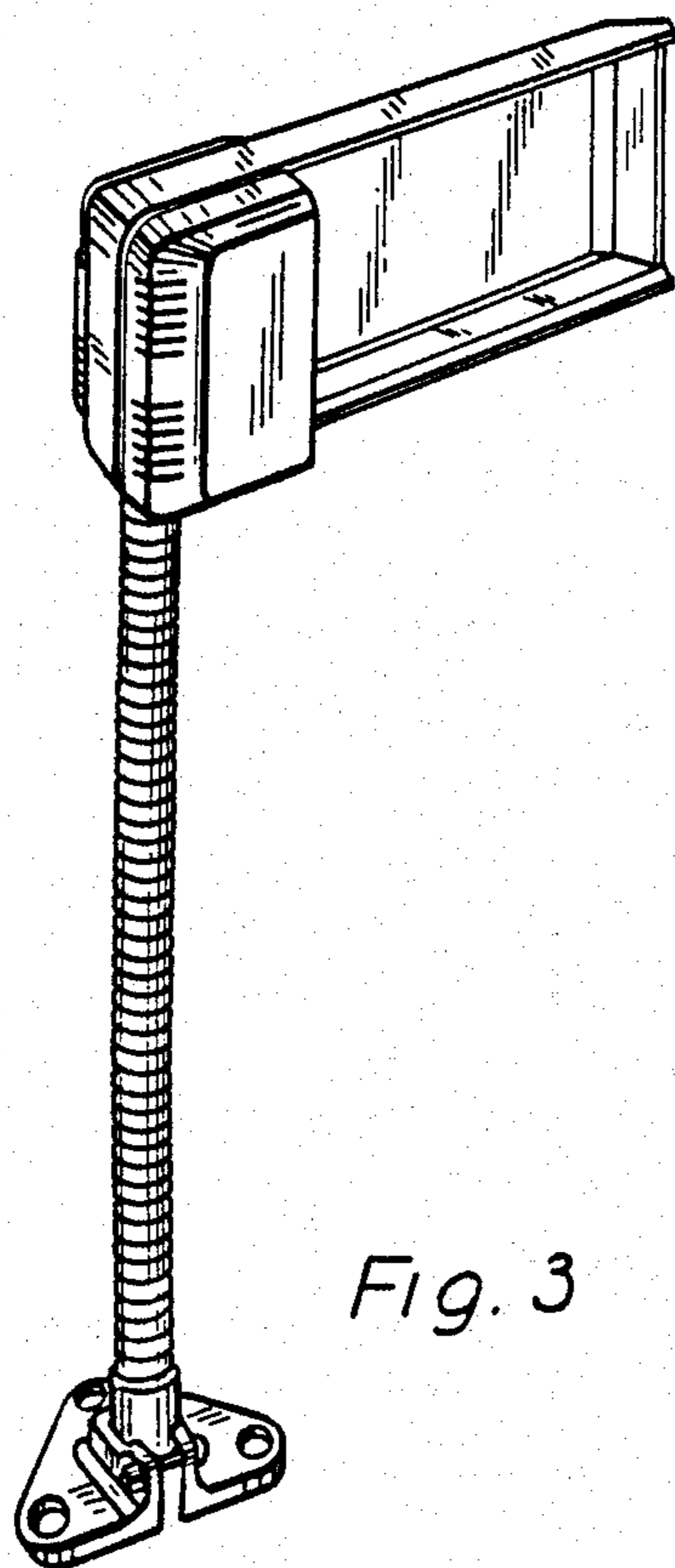


Fig. 3

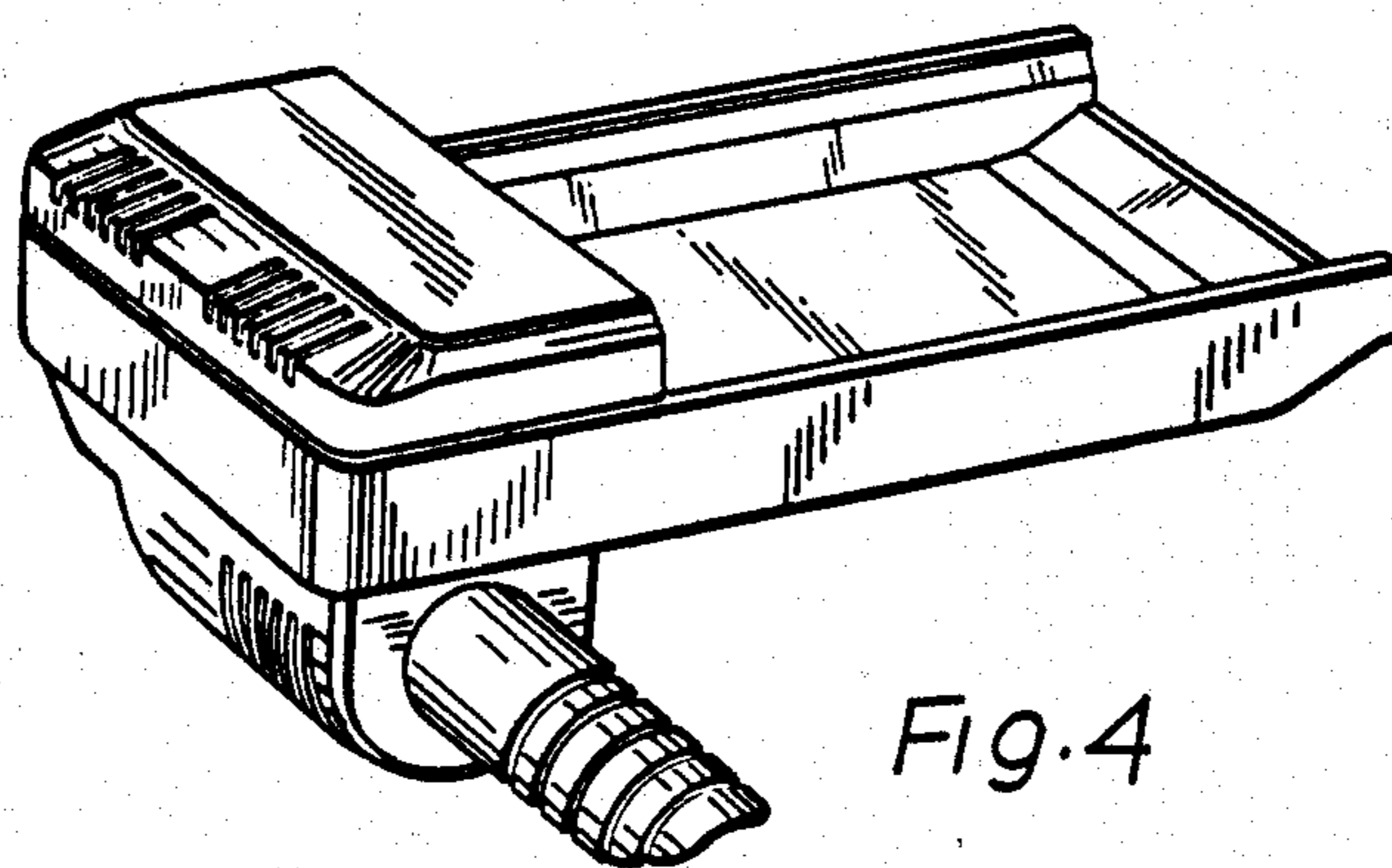


Fig. 4

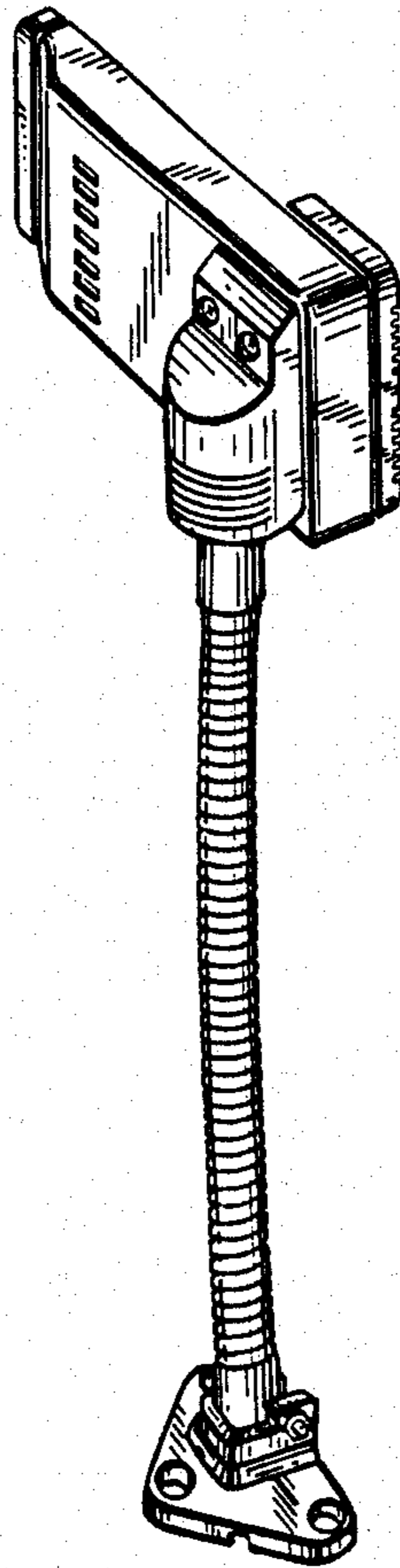


FIG. 5