

[54] CONTROL UNIT FOR THE HANDSET HOUSING OF A MOBILE RADIOTELEPHONE SET

|            |        |                  |       |           |
|------------|--------|------------------|-------|-----------|
| D. 263,707 | 4/1982 | Fukushima et al. | ..... | D14/66    |
| D. 278,026 | 4/1985 | Takagi et al.    | ..... | D14/53    |
| D. 285,439 | 9/1986 | Nagele           | ..... | D14/59    |
| 3,558,831  | 1/1971 | Prescott         | ..... | 379/436   |
| 4,153,822  | 5/1979 | Meda et al.      | ..... | D14/64 UX |

[75] Inventor: Jorma Pitkonen, Turku, Finland

[73] Assignee: Mobira Oy, Salo, Finland

[\*\*] Term: 14 Years

[21] Appl. No.: 200,305

[22] Filed: May 31, 1988

OTHER PUBLICATIONS

Radio Electronics, vol. 53; Jul. 1981; p. 31; Freedom Phone Set and Radio Shack Cordless Phone. AT&T brochure; "Nomad" ® 600 Cordless Telephone Set.

Primary Examiner—Horace B. Fay, Jr. Attorney, Agent, or Firm—Ladas & Parry

Related U.S. Application Data

[62] Division of Ser. No. 850,346, Apr. 4, 1986.

[30] Foreign Application Priority Data

|               |                 |         |   |        |
|---------------|-----------------|---------|---|--------|
| Oct. 11, 1985 | [FI]            | Finland | .....   | 771/85 |
| [52]          | U.S. Cl.        | .....   | D14/138   |        |
| [58]          | Field of Search | .....   | D14/52, 53, 59, 60, D14/62, 63, 64, 66; 379/58, 59, 440, 433, 434, 419, 428; 455/89, 90 |        |

[57] CLAIM

The ornamental design for a control unit for the handset housing of a mobile radiotelephone set, as shown and described.

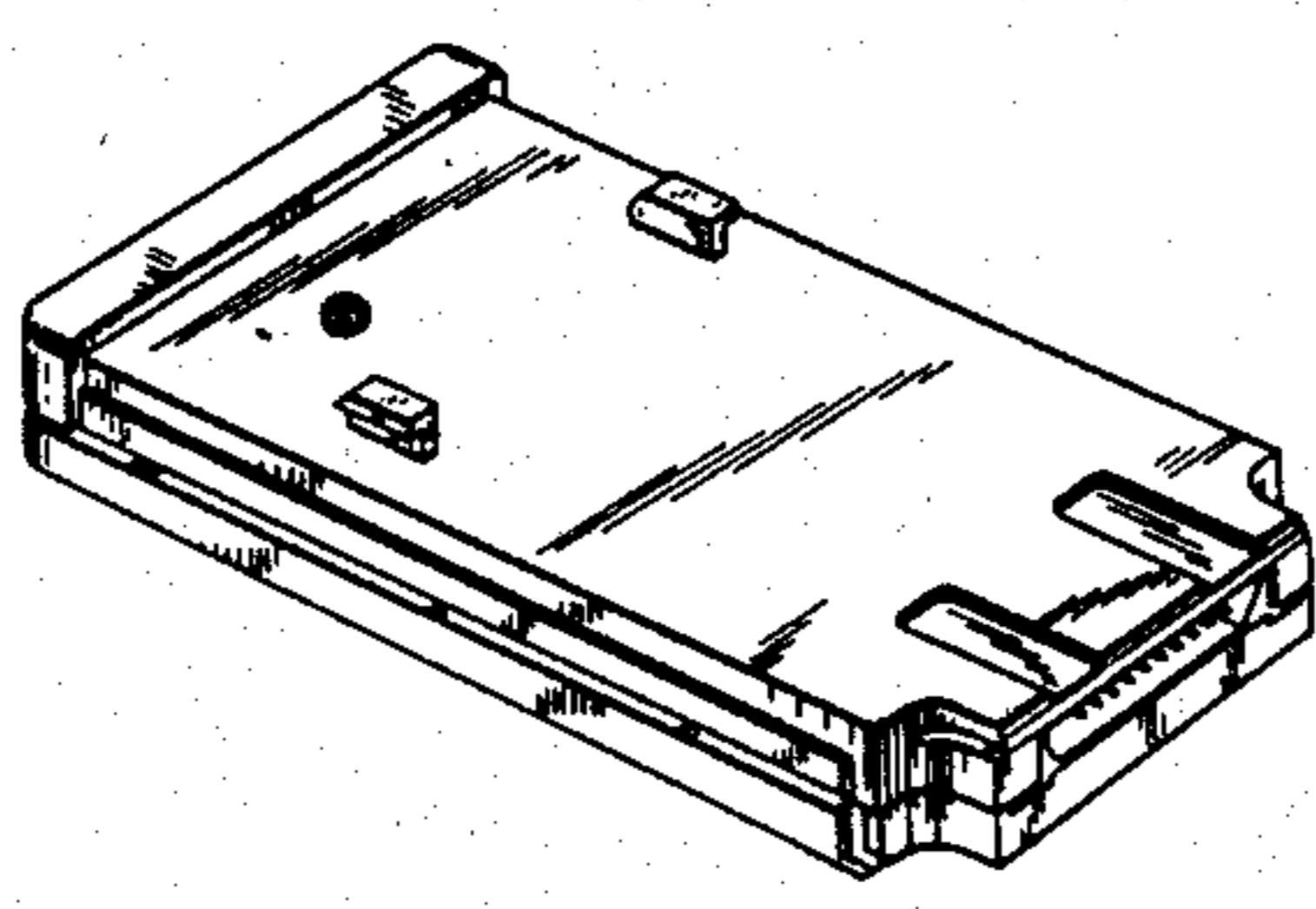
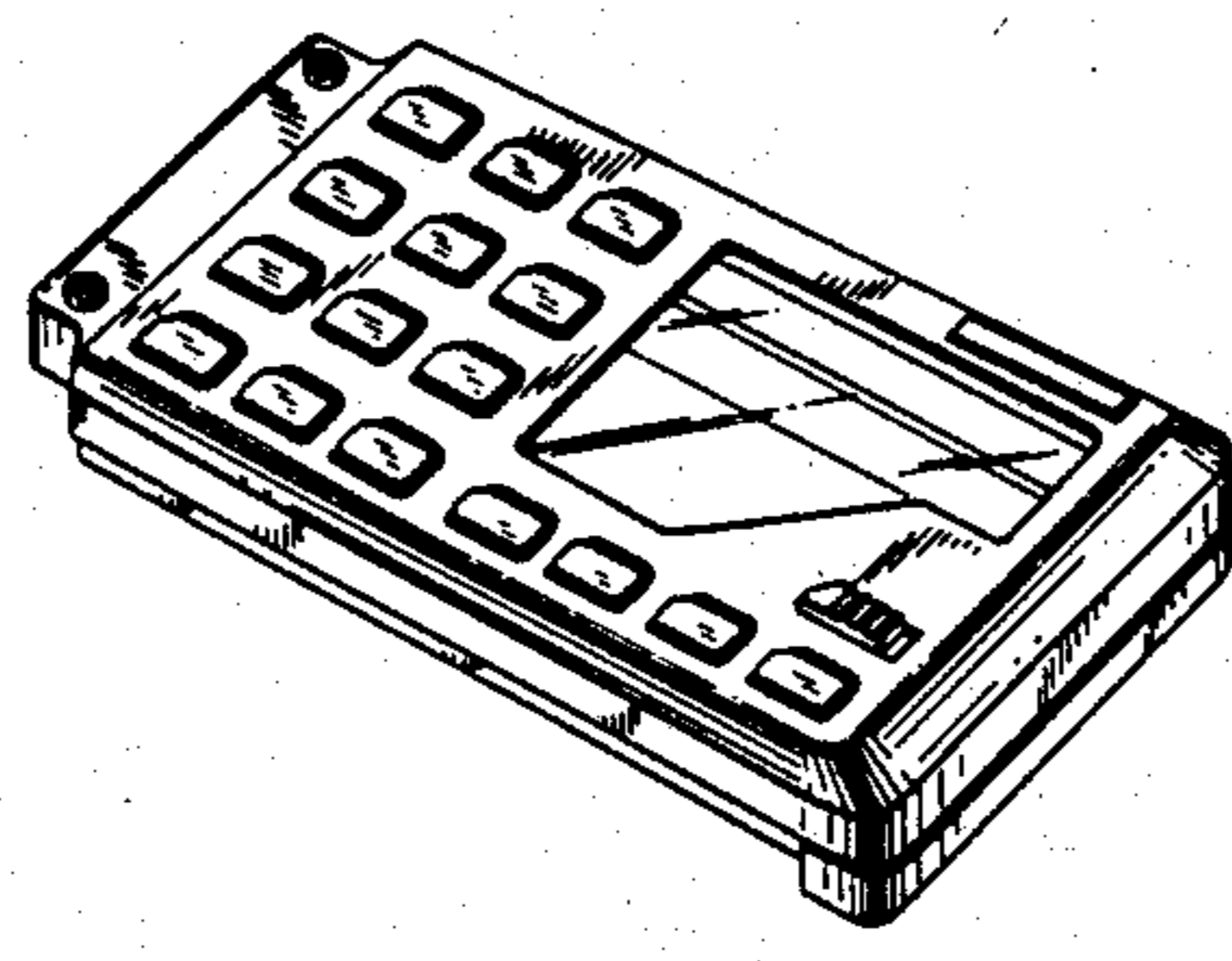
DESCRIPTION

FIG. 1 is a left side, bottom and rear perspective view of the control unit for the handset of a mobile radiotelephone set showing my new design; FIG. 2 is a left side, top and front perspective view thereof; FIG. 3 is a front, top and right side perspective view thereof; and, FIG. 4 is a rear, top and right side perspective view thereof.

[56] References Cited

U.S. PATENT DOCUMENTS

|            |         |                 |       |          |
|------------|---------|-----------------|-------|----------|
| D. 206,443 | 12/1966 | Cappucci et al. | ..... | D14/59   |
| D. 242,722 | 12/1976 | Bell            | ..... | D14/60 X |
| D. 254,195 | 2/1980  | Genaro et al.   | ..... | D14/53   |
| D. 257,841 | 1/1981  | Tada            | ..... | D14/62 X |



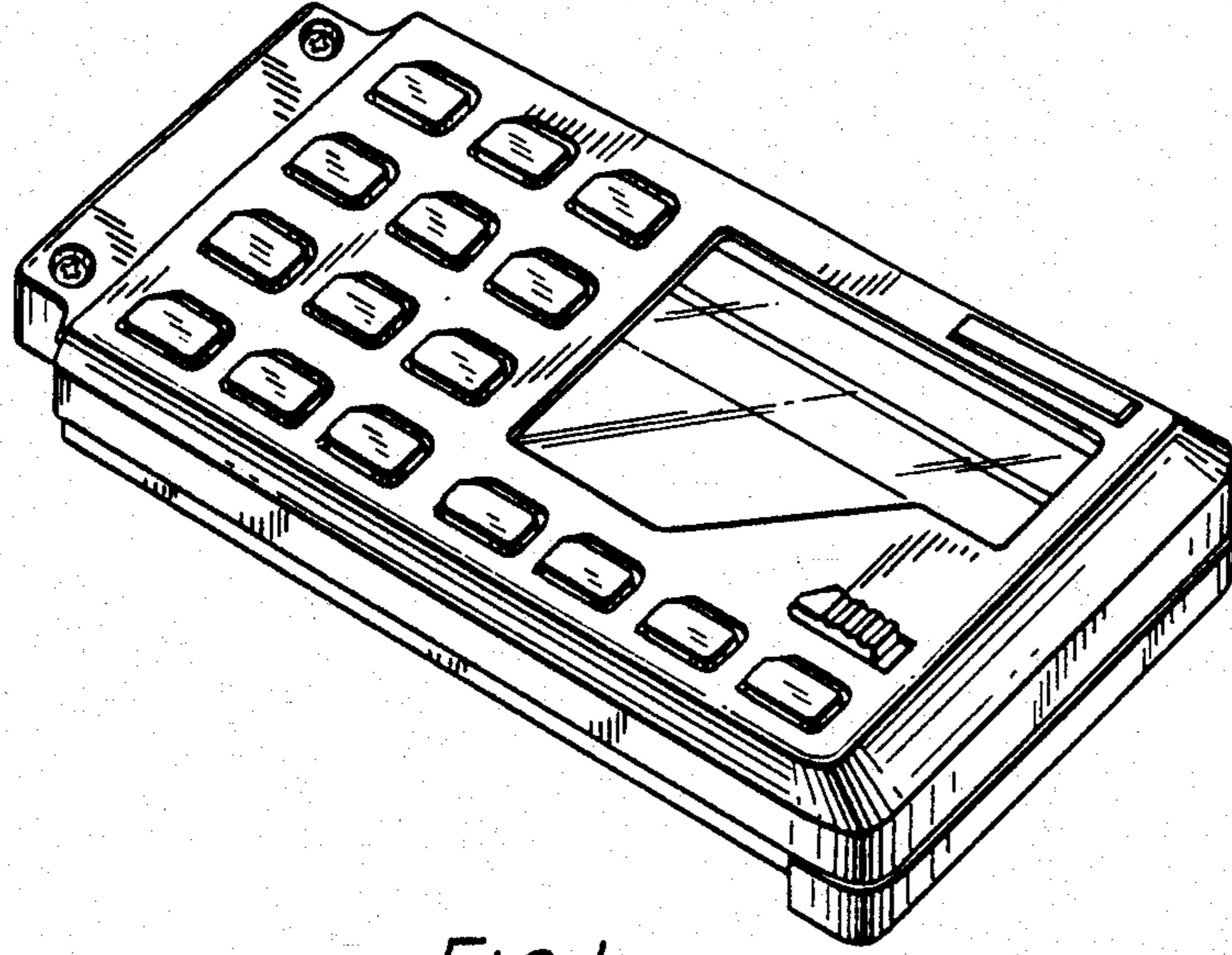


Fig. 1

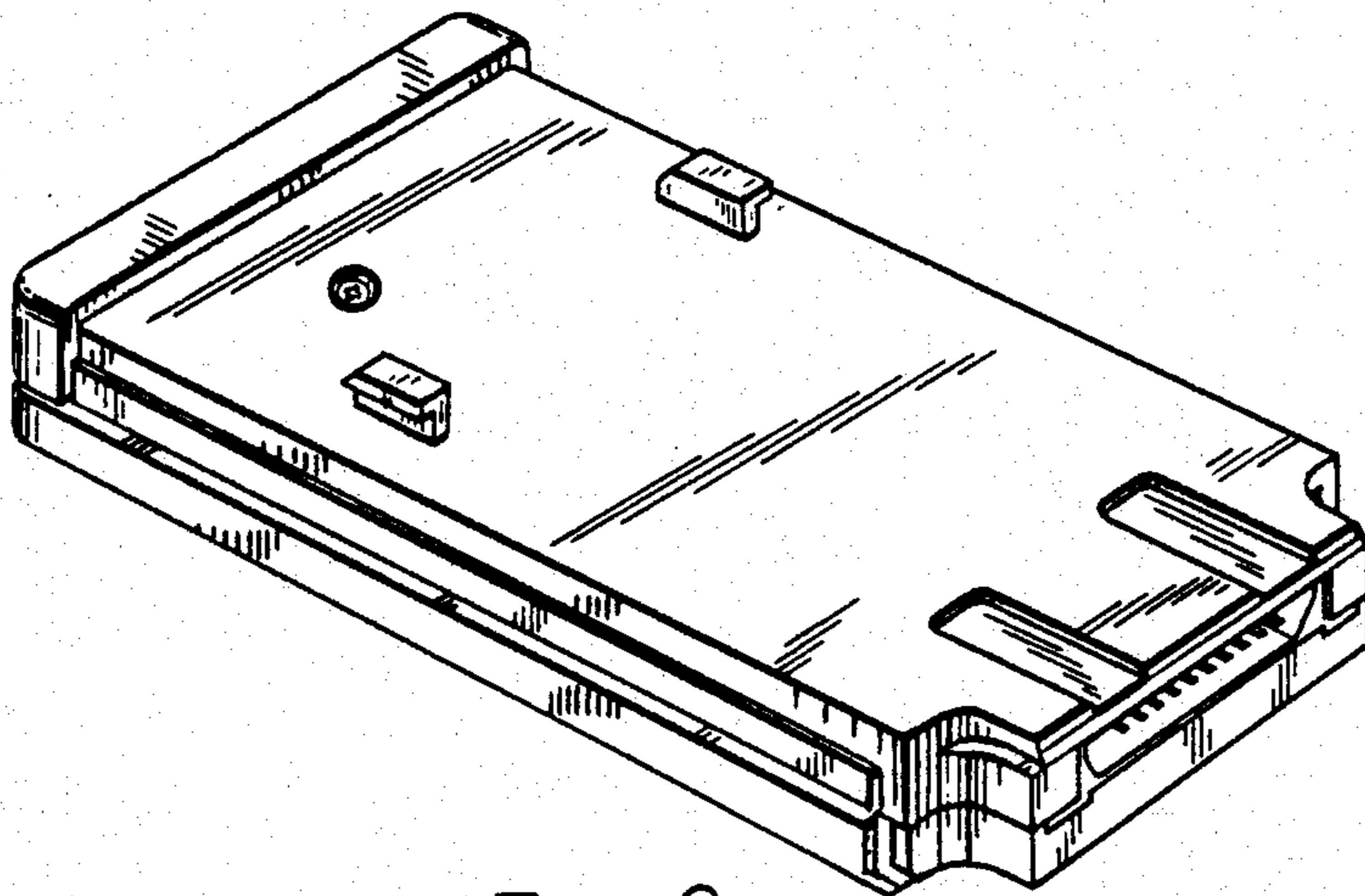


Fig. 2

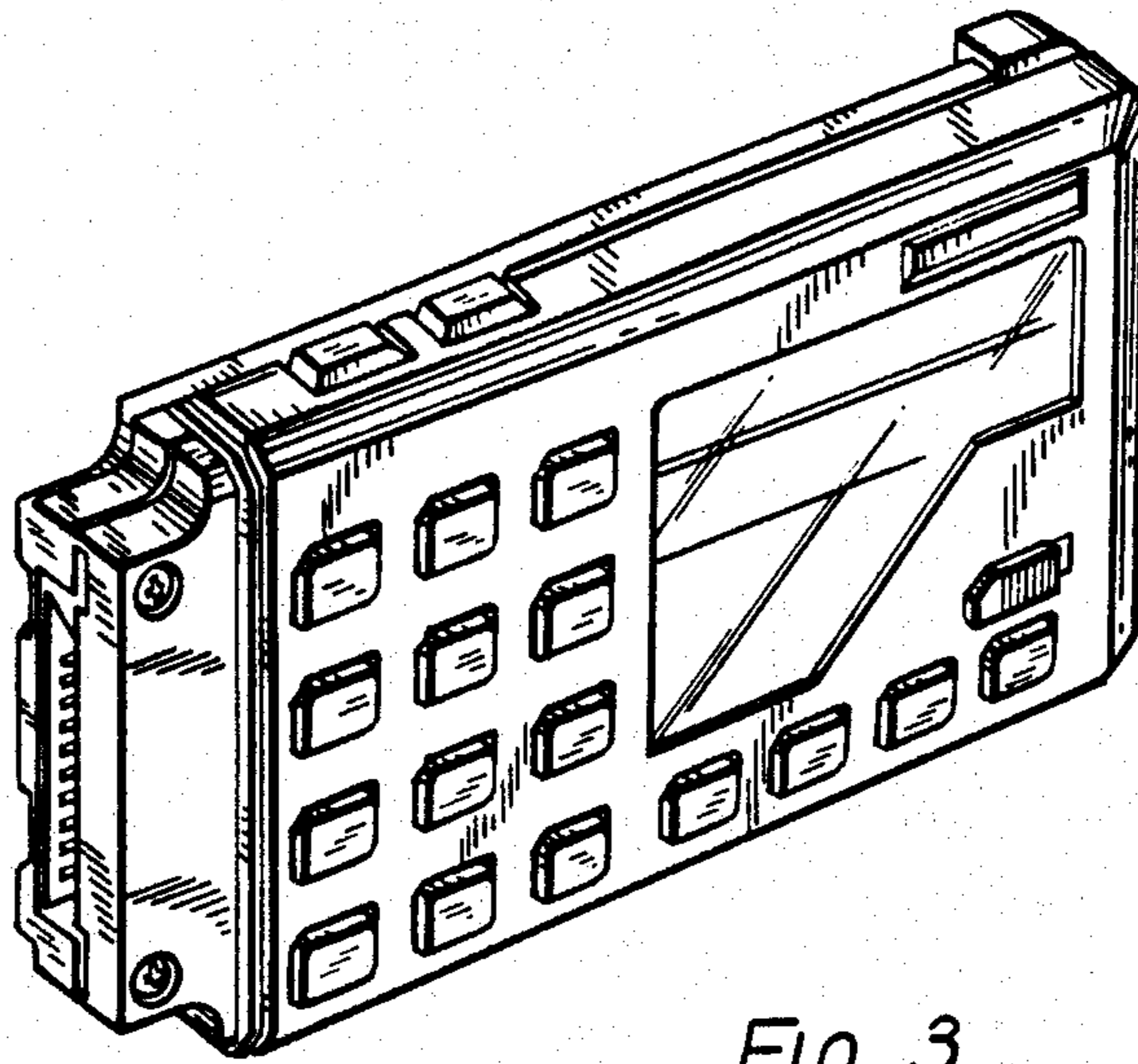


Fig. 3

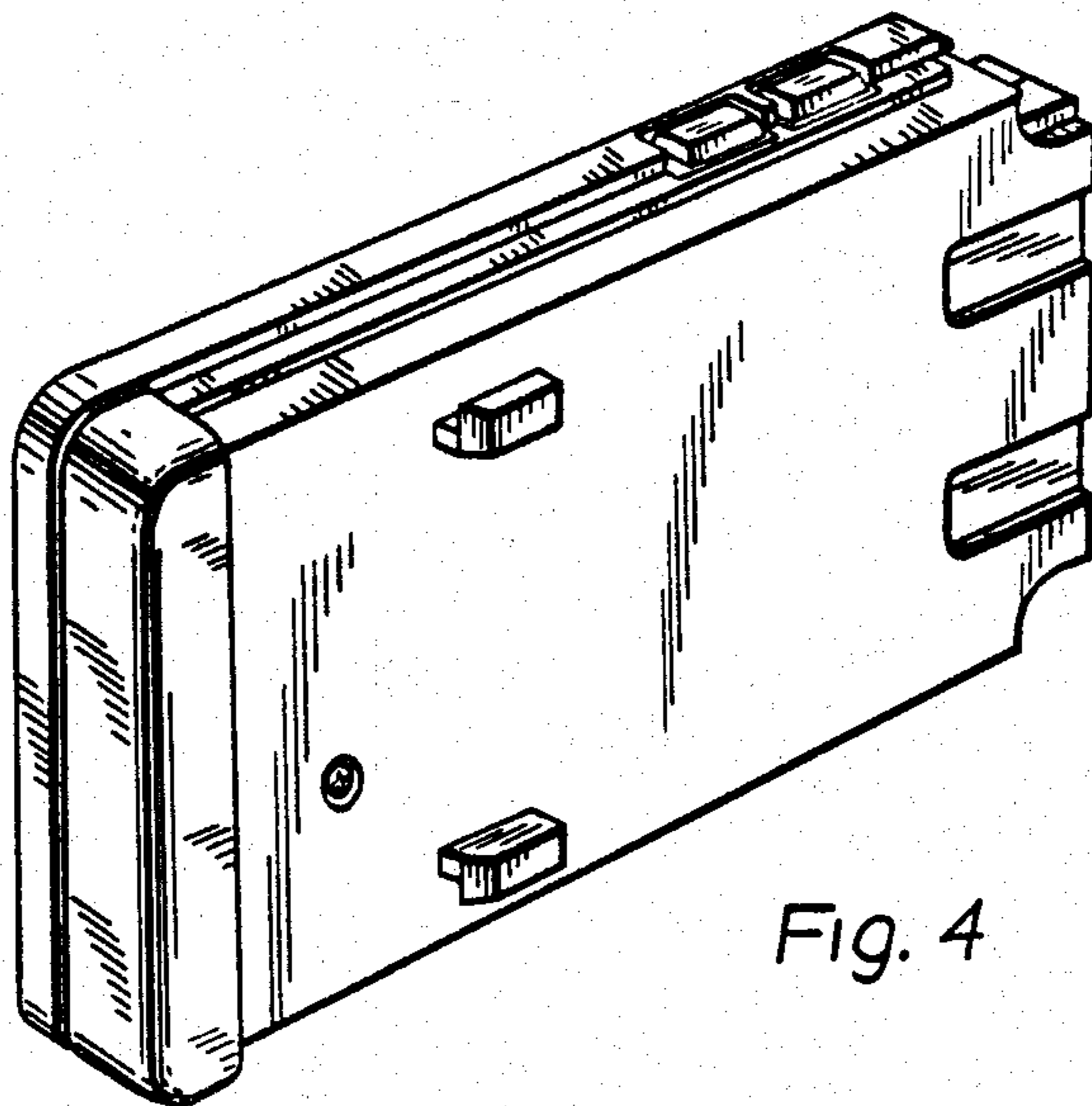


Fig. 4