

[54] DUMMY CONTROL UNIT FOR THE HANDSET AND FIXED VERTICAL HOLDER OF A MOBILE TELEPHONE SET

[75] Inventor: Jorma Pitkonen, Turku, Finland

[73] Assignee: Mobira Oy, Salo, Finland

[**] Term: 14 Years

[21] Appl. No.: 200,304

[22] Filed: May 31, 1988

Related U.S. Application Data

[62] Division of Ser. No. 850,346, Apr. 4, 1986.

[30] Foreign Application Priority Data

Oct. 11, 1985 [FI] Finland 771/85

[52] U.S. Cl. D14/138

[58] Field of Search D14/52, 53, 59, 60, D14/62, 63, 64, 66; 379/58, 59, 440, 433, 434, 419, 428; 455/89, 90

References Cited

U.S. PATENT DOCUMENTS

D. 181,801 12/1957 Matalon D14/59

D. 206,443 12/1966 Cappucci et al. D14/59
D. 234,849 4/1975 Tyson et al. D14/60
D. 257,841 1/1981 Toda D14/62 X
D. 282,465 2/1986 Hurley et al. D14/56 X
D. 285,439 9/1986 Nagele D14/59
3,558,831 1/1971 Prescott et al. 379/436
4,153,822 5/1979 Ueda et al. 179/103
4,225,970 9/1980 Jaramillo et al. 455/90
4,688,146 8/1987 Newmark et al. D13/12 X

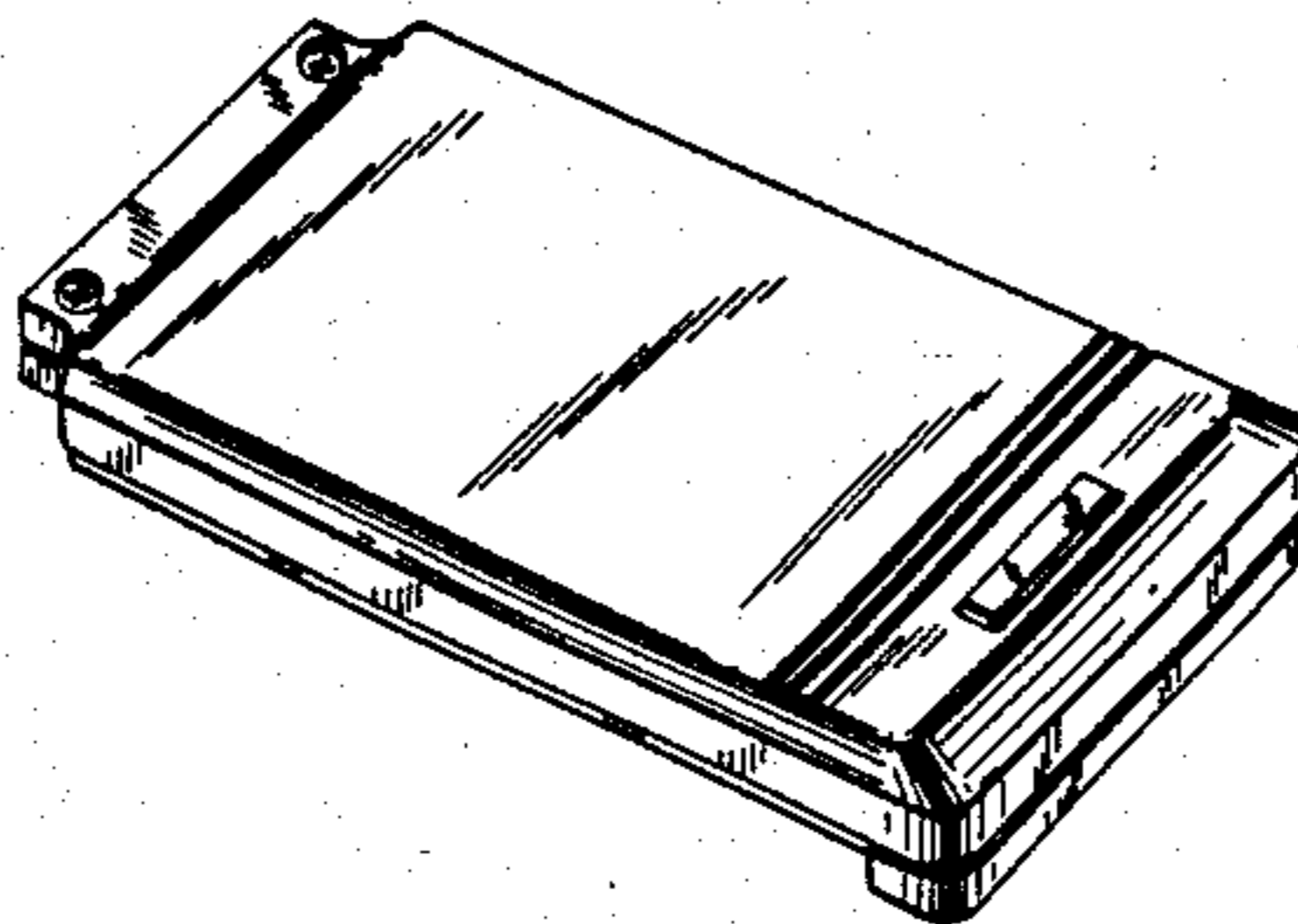
Primary Examiner—Horace B. Fay, Jr.
Attorney, Agent, or Firm—Ladas & Parry

[57] CLAIM

The ornamental design for a dummy control unit for the handset and fixed vertical holder of a mobile telephone set, as shown and described.

DESCRIPTION

FIG. 1 is a left side, top and front perspective view of a dummy control unit for the handset and fixed vertical holder of a mobile telephone set showing my new design;
FIG. 2 is a right side, top and rear perspective view thereof; and,
FIG. 3 is a right side, bottom and rear perspective view thereof.



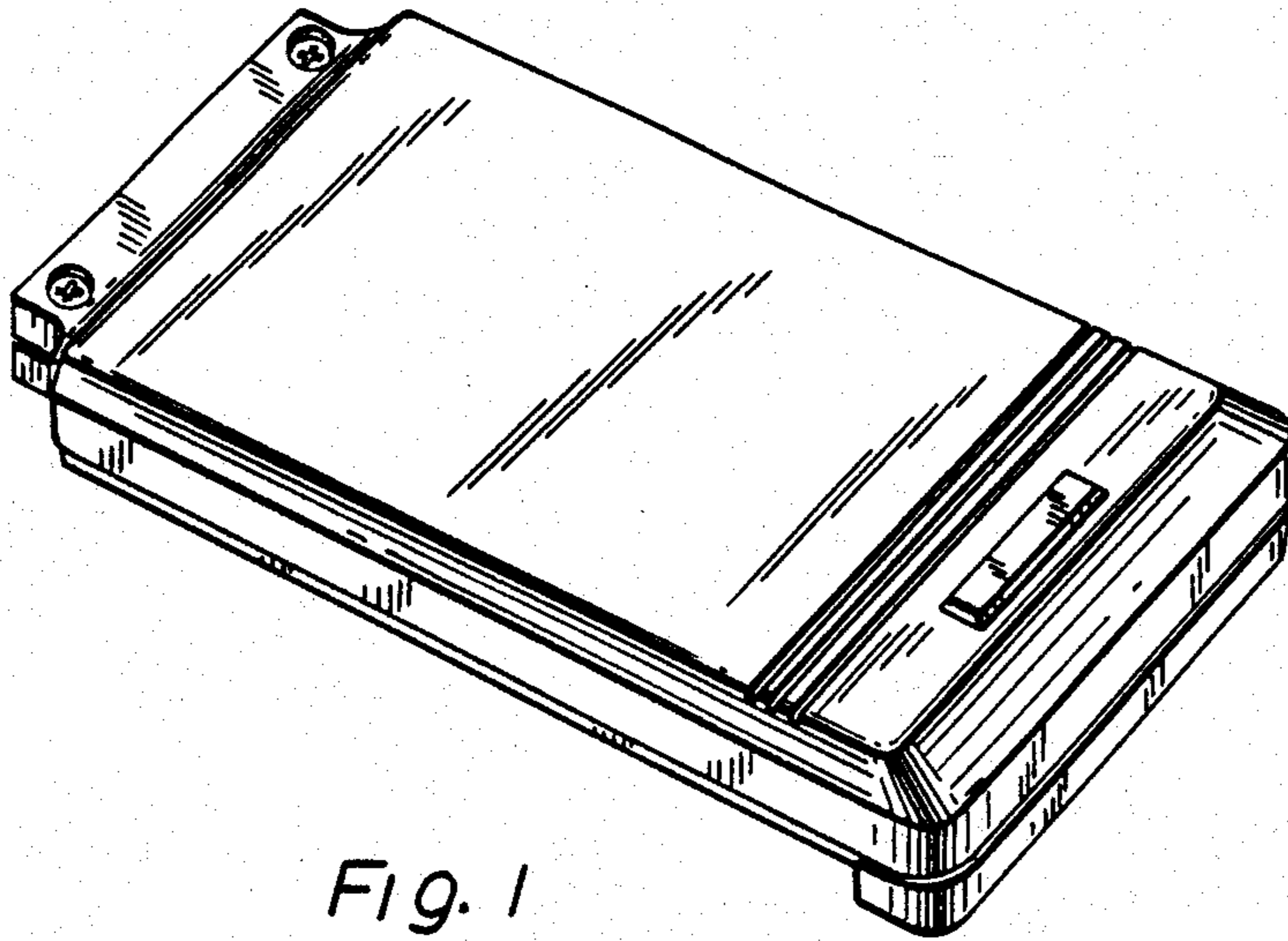


Fig. 1

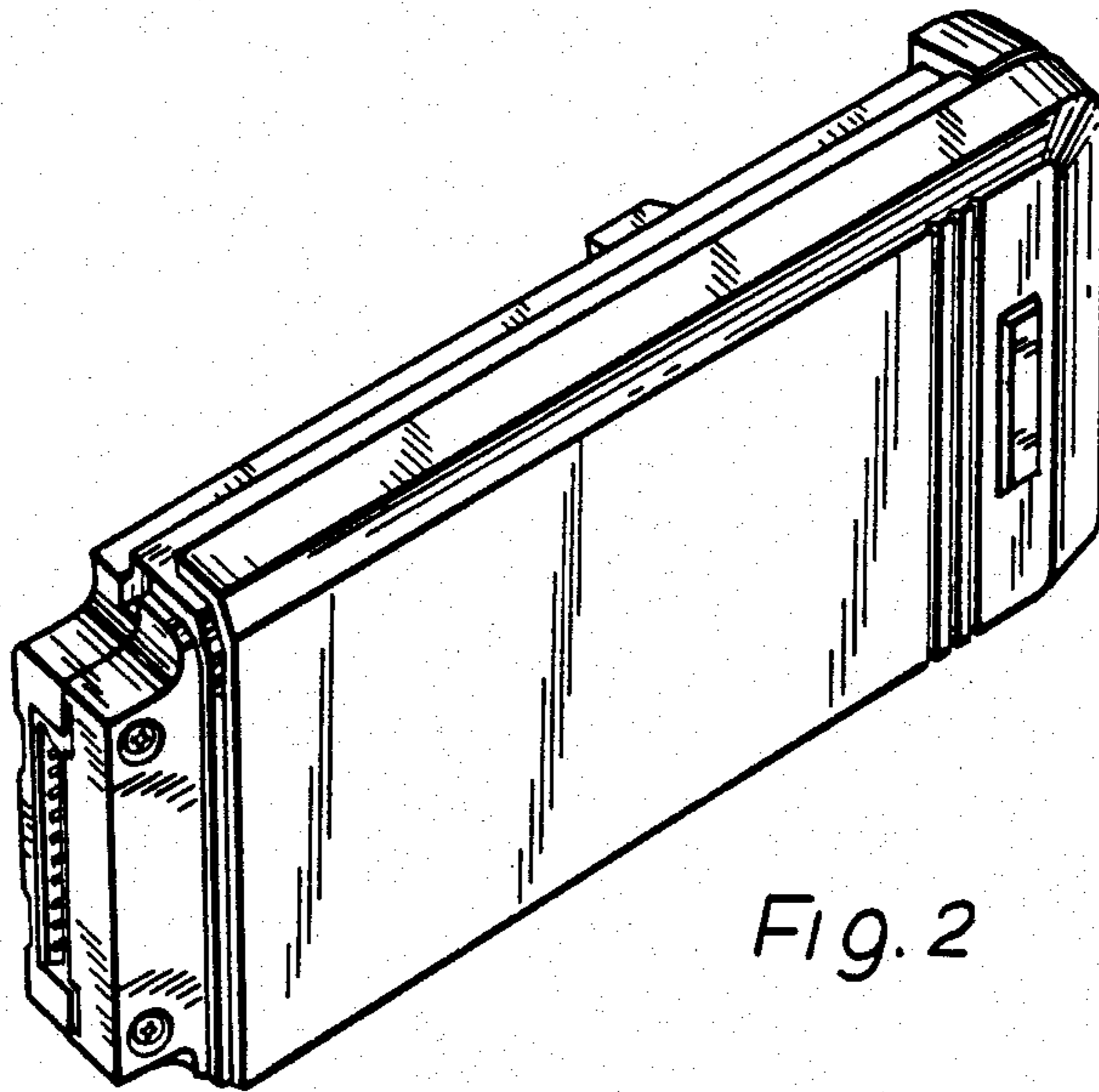


Fig. 2

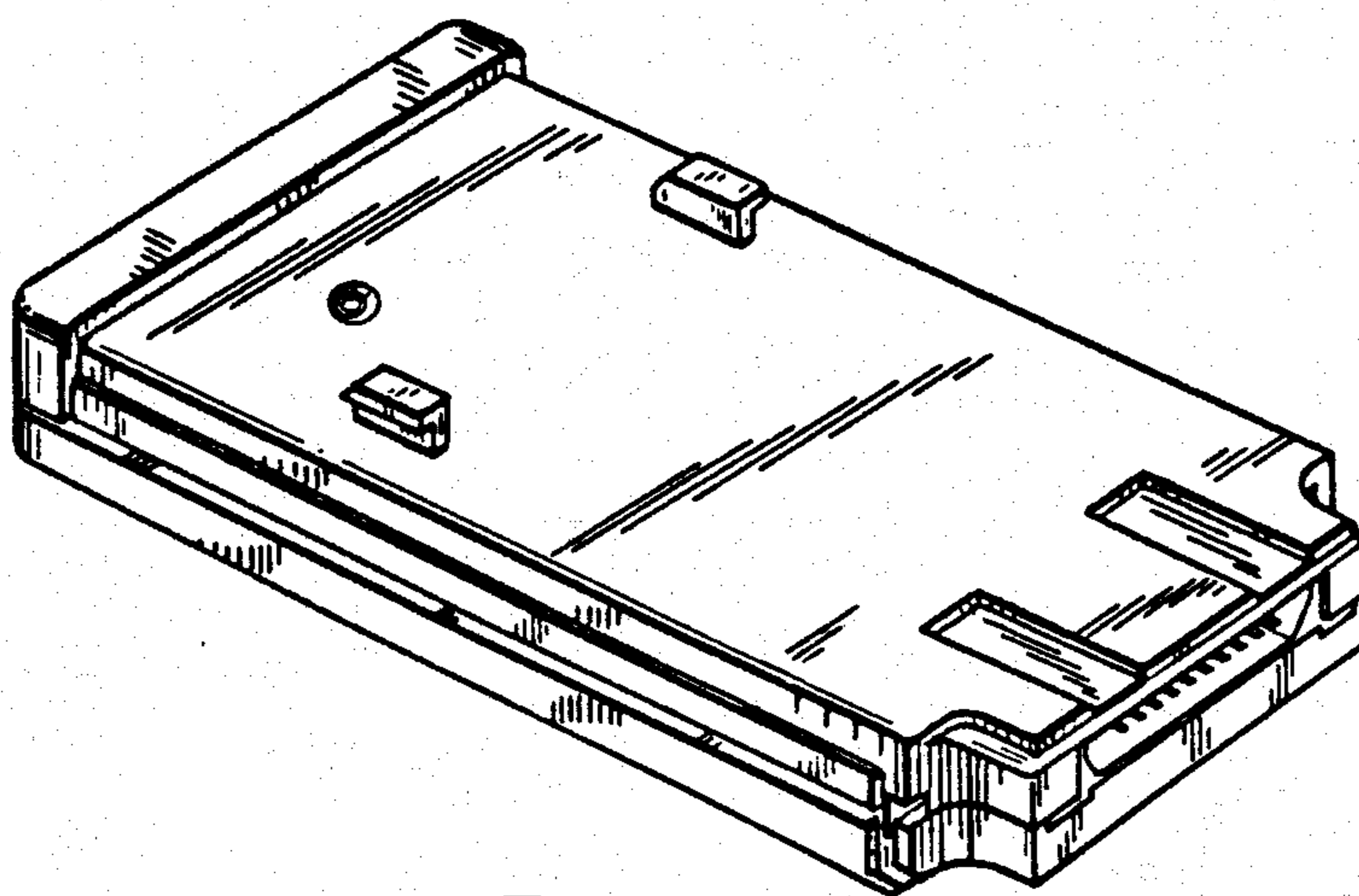


Fig. 3