

[54] ELECTRICAL CONNECTING PLUG

[75] Inventor: Douglas Drew, Toronto, Canada

[73] Assignee: Noma Inc., Scarborough, Canada

[\*\*] Term: 14 Years

[21] Appl. No.: 947,468

[22] Filed: Dec. 24, 1986

[52] U.S. Cl. .... D13/28

[58] Field of Search ..... D13/11, 12, 18-31, D13/40; 439/679, 694, 350, 668, 669, 682, 641, 661, 662, 395, 396, 402, 775, 693, 695

[56] References Cited

U.S. PATENT DOCUMENTS

D. 185,440	6/1959	Kunkle	.....	D13/28
2,813,258	11/1957	Klumpp, Jr.	.....	439/694
3,377,613	4/1968	Archer	.....	439/693

FOREIGN PATENT DOCUMENTS

421225	9/1966	Switzerland	.....	439/682
--------	--------	-------------	-------	---------

OTHER PUBLICATIONS

J. Phillip Industries' sales brochure dated 4-2-1979 Plug Model #'s JP-3FA and JP-RA-5.

Primary Examiner—Bruce W. Dunkins  
Assistant Examiner—Clare E. Heflin  
Attorney, Agent, or Firm—Kenneth M. Garrett

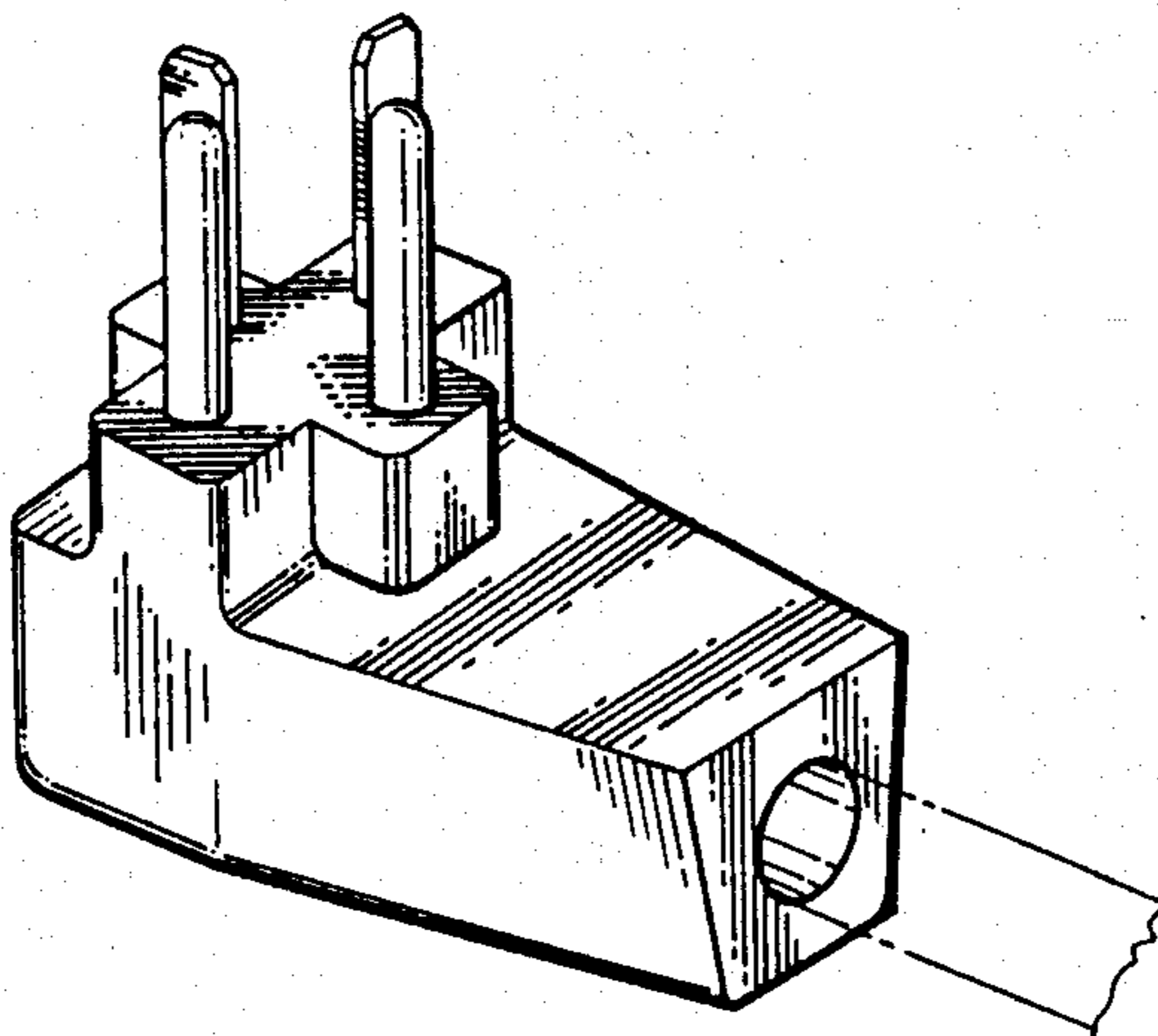
[57] CLAIM

The ornamental design for a electrical connecting plug, as shown and described.

DESCRIPTION

FIG. 1 is a front, left bottom perspective view of a switch plug showing my new design; FIG. 2 is a front elevational view thereof; FIG. 3 is a left side elevational view thereof; FIG. 4 is a right side elevational view thereof; FIG. 5 is a rear elevational view thereof; FIG. 6 is a top plan view thereof, and FIG. 7 is a bottom plan view thereof.

The broken line showing of the electric cord in FIGS. 1-5 is for illustrative purposes only and forms no part of the claimed design.



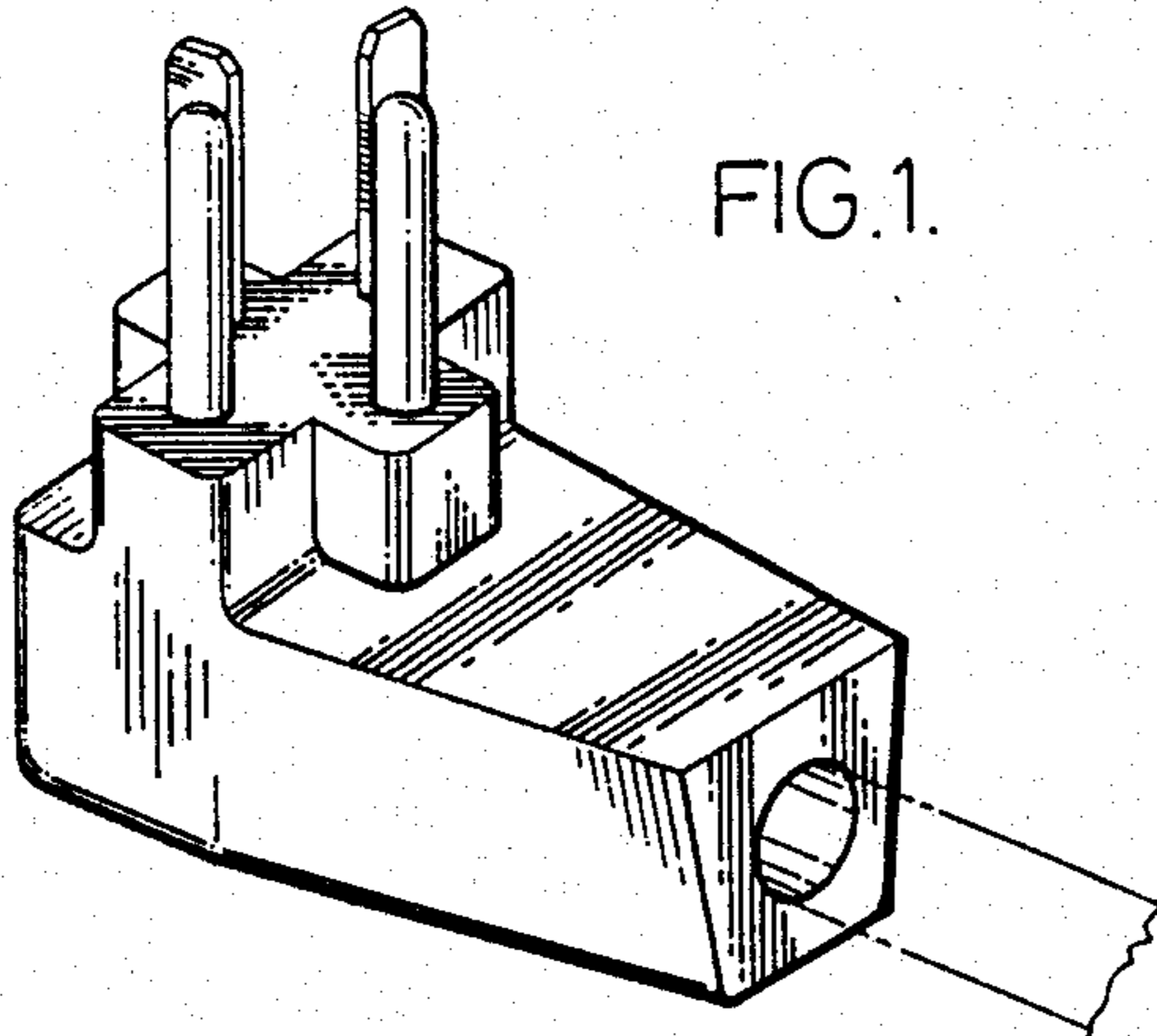


FIG. 1.

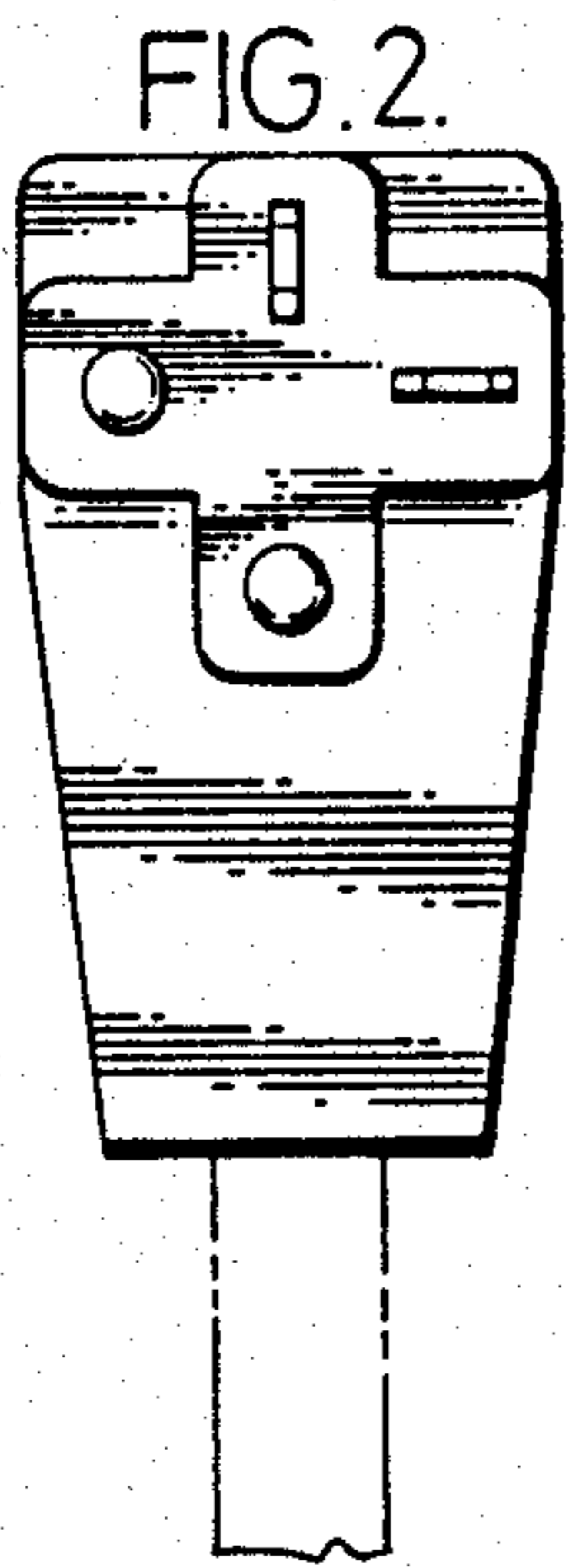


FIG. 2.

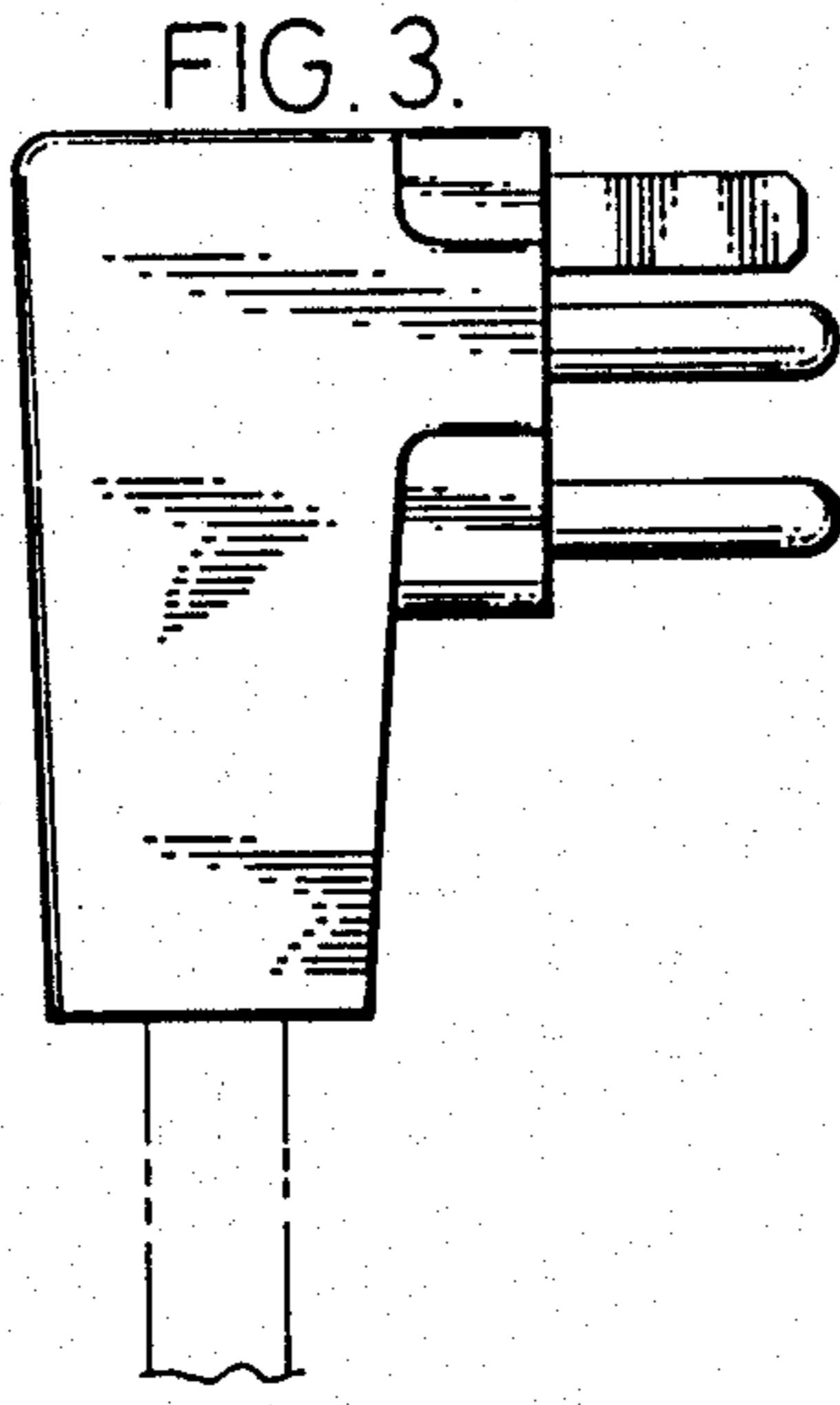


FIG. 3.

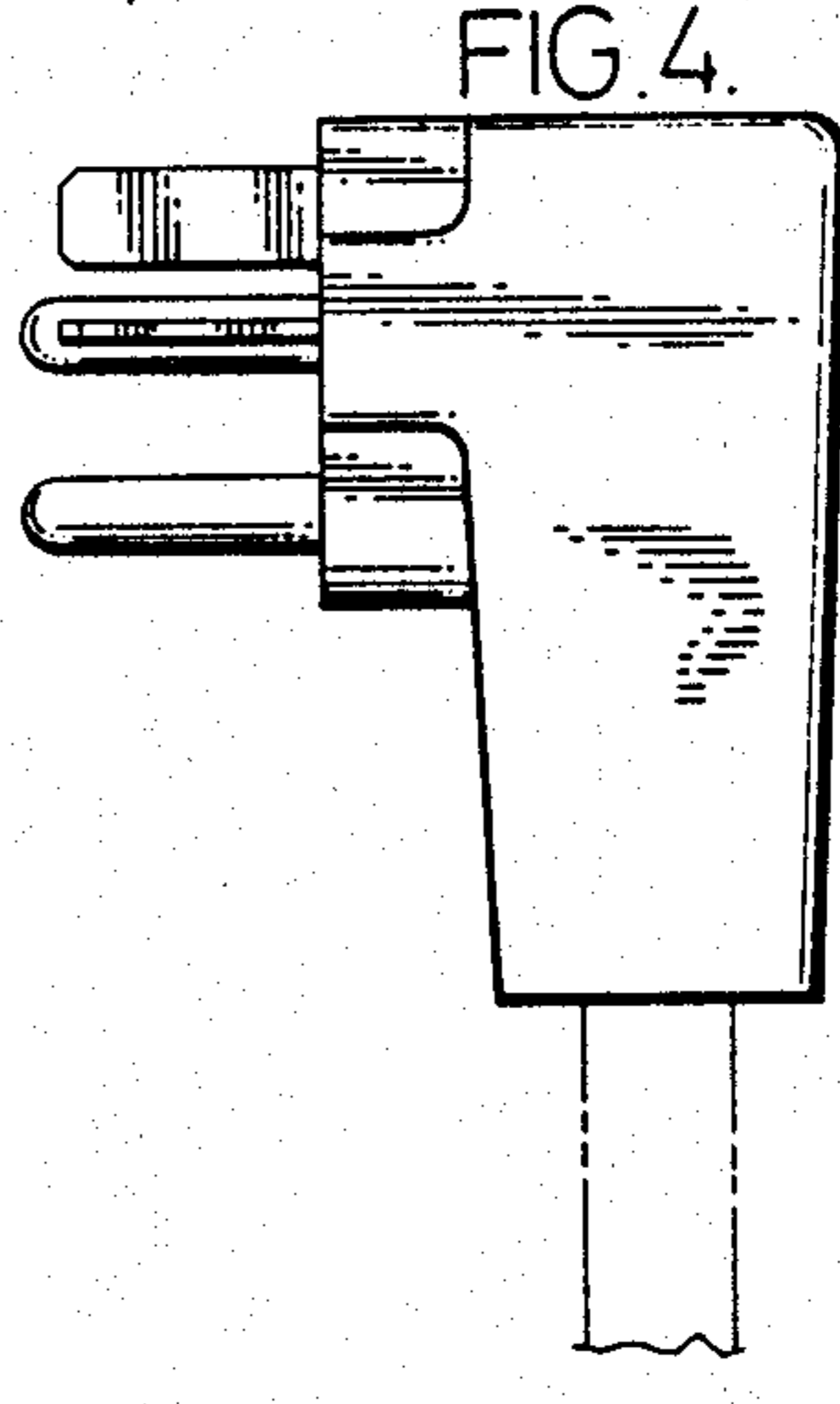


FIG. 4.

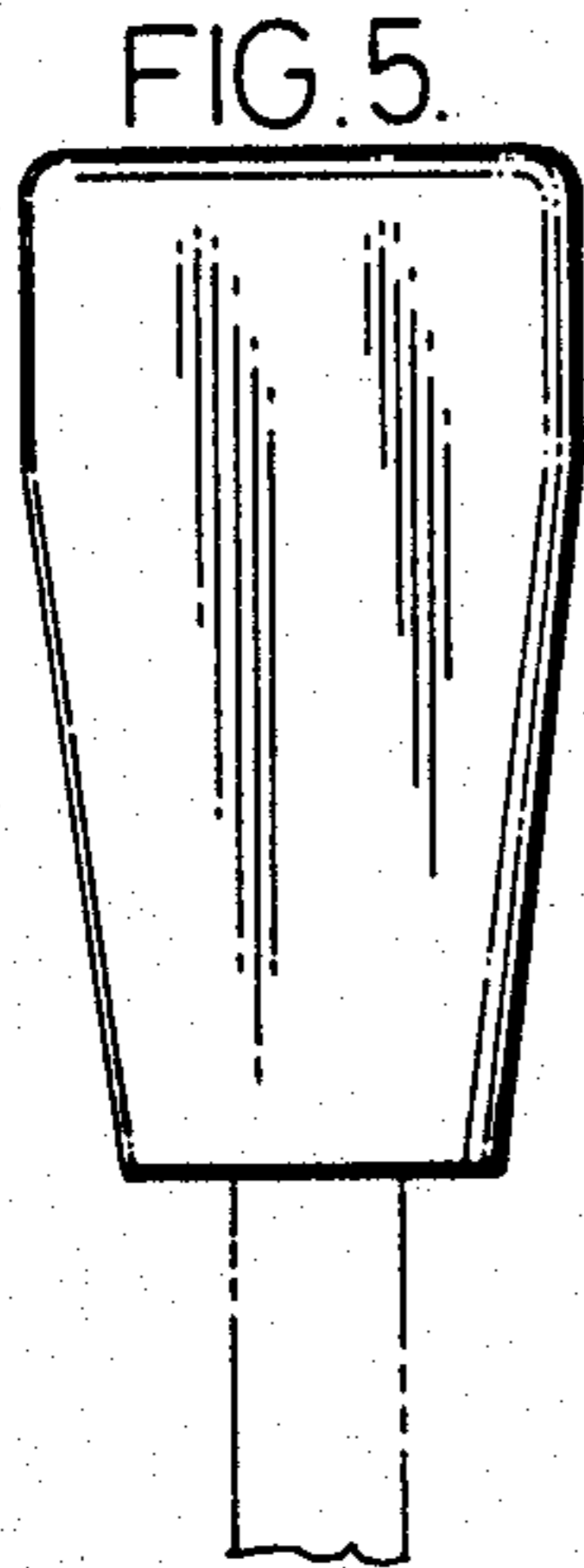


FIG. 5.

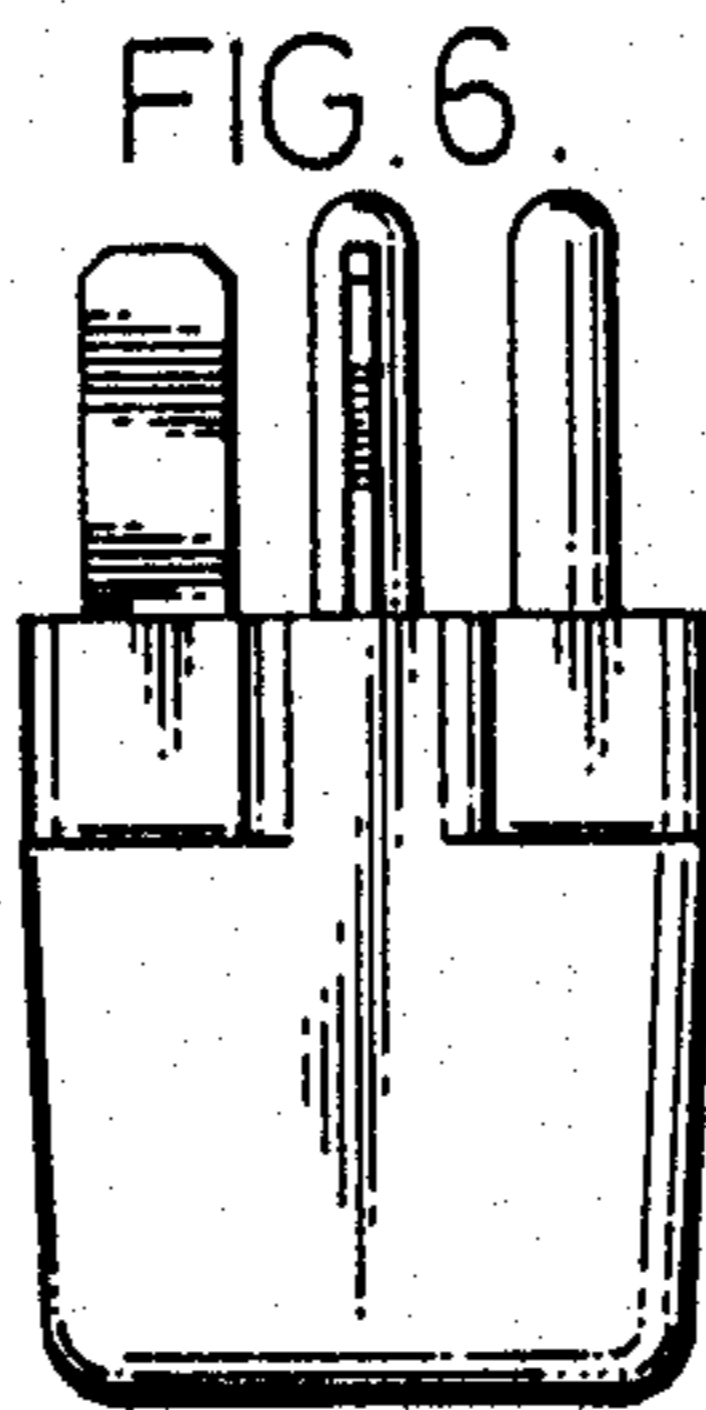


FIG. 6.

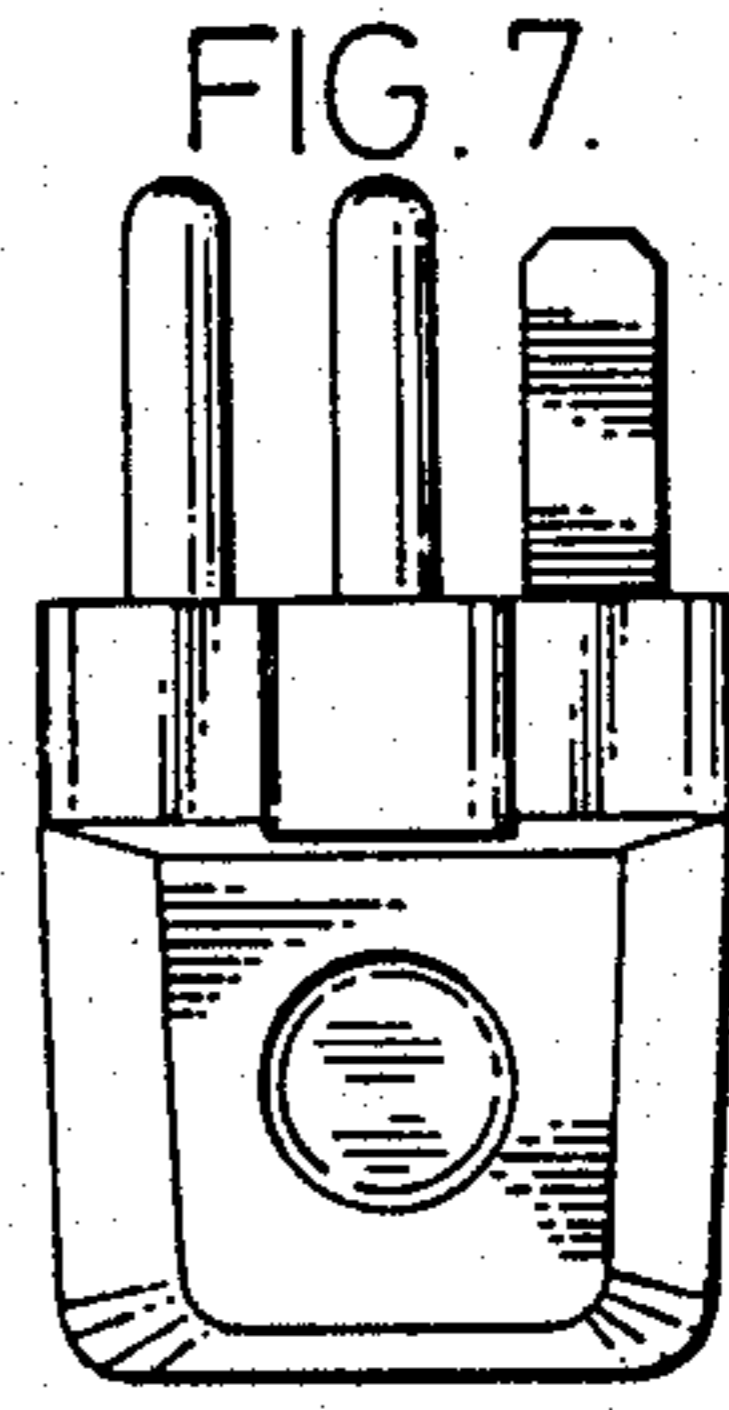


FIG. 7.