

[54] X-RAY CABLE CONNECTOR

4,659,164 4/1987 Reuss 439/460

[76] Inventor: Robert Tierie, Kleiberglaan 4, 6891 DK Rozendaal, Netherlands

Primary Examiner—Bruce W. Dunkins
Assistant Examiner—Clare E. Heflin
Attorney, Agent, or Firm—Brumbaugh, Graves, Donohue & Raymond

[**] Term: 14 Years

[21] Appl. No.: 782,215

[57] CLAIM

[22] Filed: Nov. 7, 1985

The ornamental design for an X-ray cable connector, as shown and described.

[30] Foreign Application Priority Data

Jul. 24, 1985 [IB] Int'l Pat. Institute DM/005.610

[52] U.S. Cl. D13/24; D13/28

[58] Field of Search D13/24-31; 439/284, 294, 445

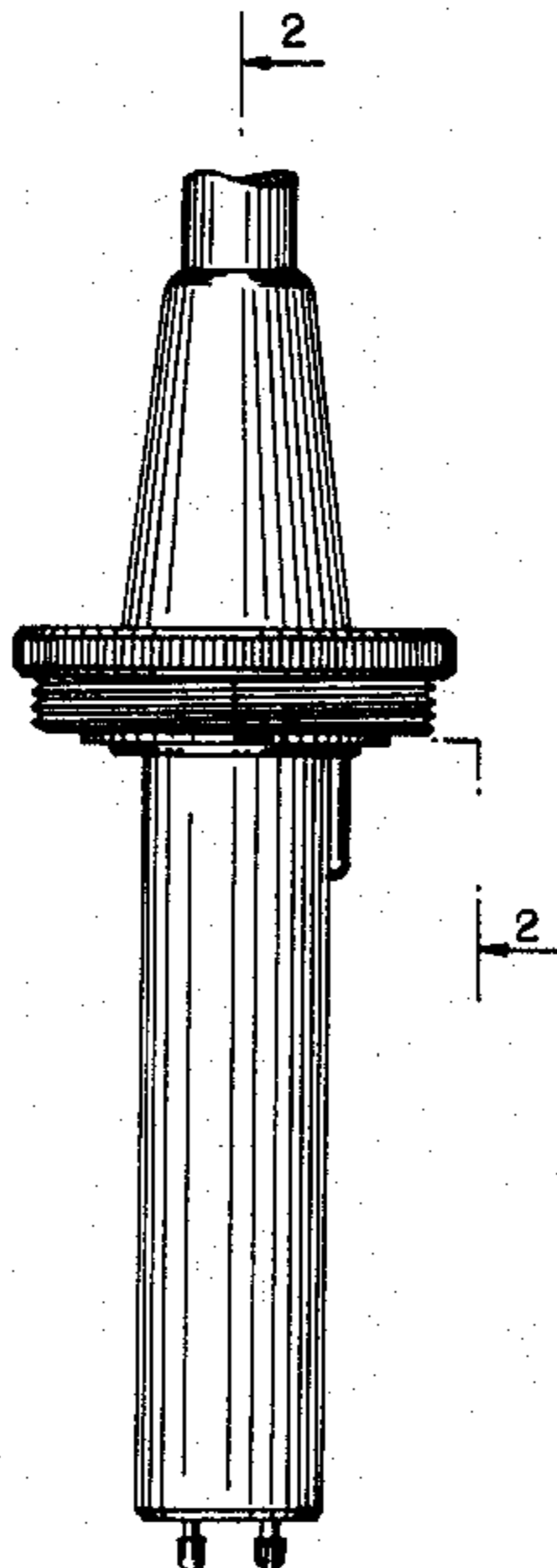
DESCRIPTION

FIG. 1 is a front elevational view of the X-ray cable connector showing my new design;
FIG. 2 is a fragmentary cross-sectional view thereof taken along line 2—2 of FIG. 1 with the connector shown rotated 90°;
FIG. 3 is an exploded perspective view thereof showing the central mating portions, the remaining portions of the connector being omitted for illustrative purposes only.

[56] References Cited

U.S. PATENT DOCUMENTS

- D. 219,147 11/1970 Propst D13/24
- D. 246,647 12/1977 Budd D13/24
- 3,885,849 5/1975 Bailey et al. 439/460



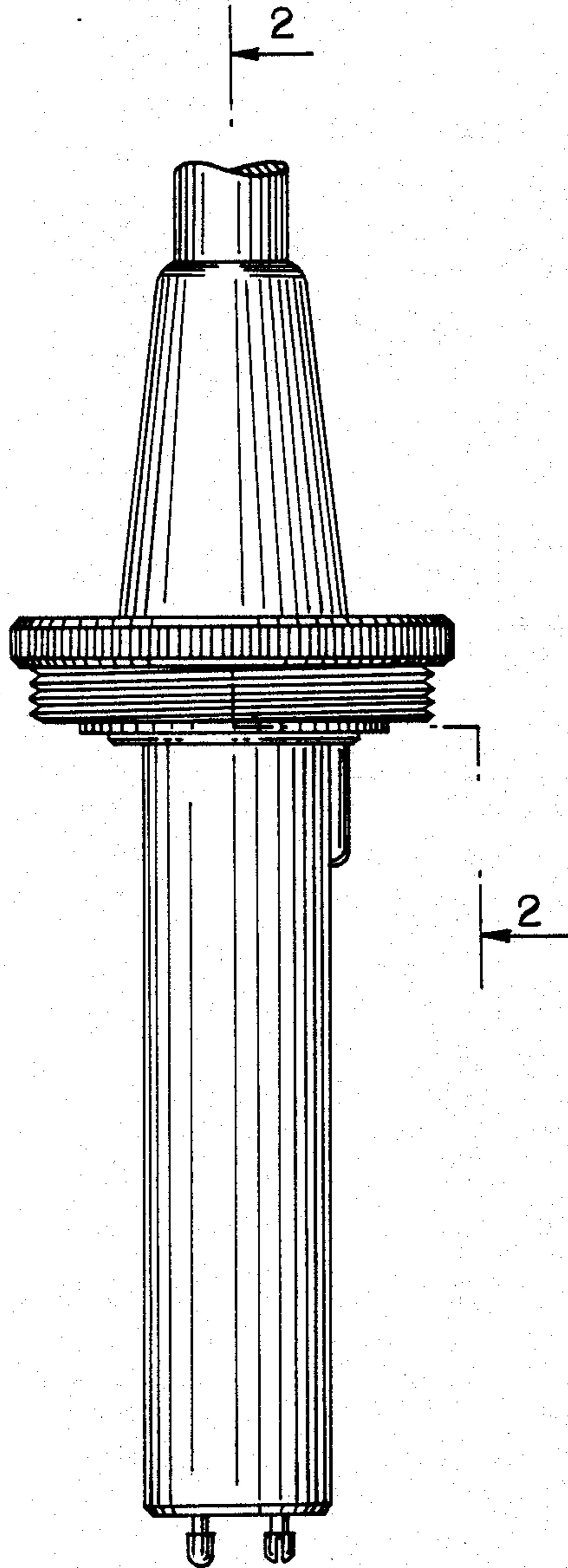


FIG. 1

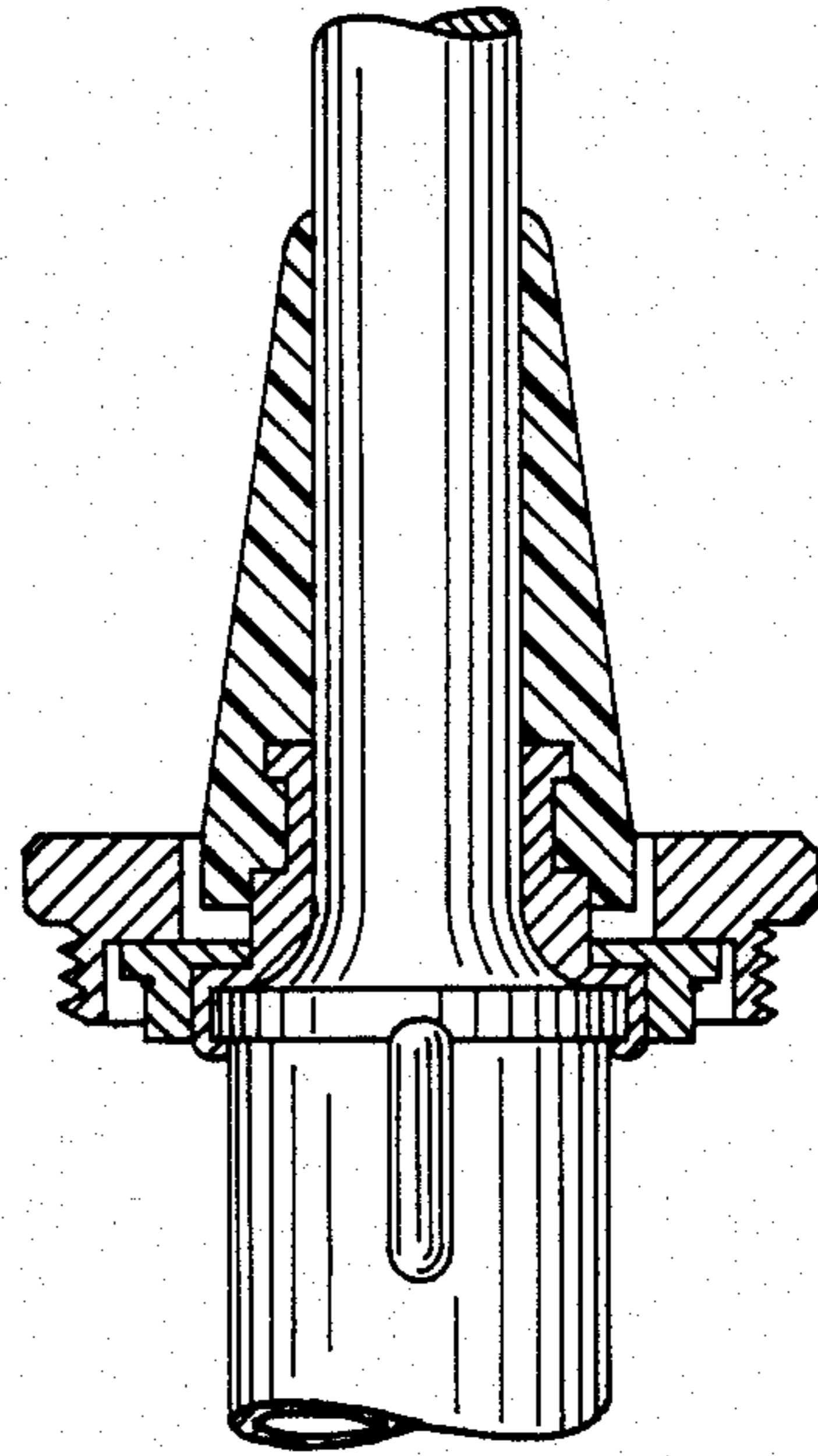


FIG. 2

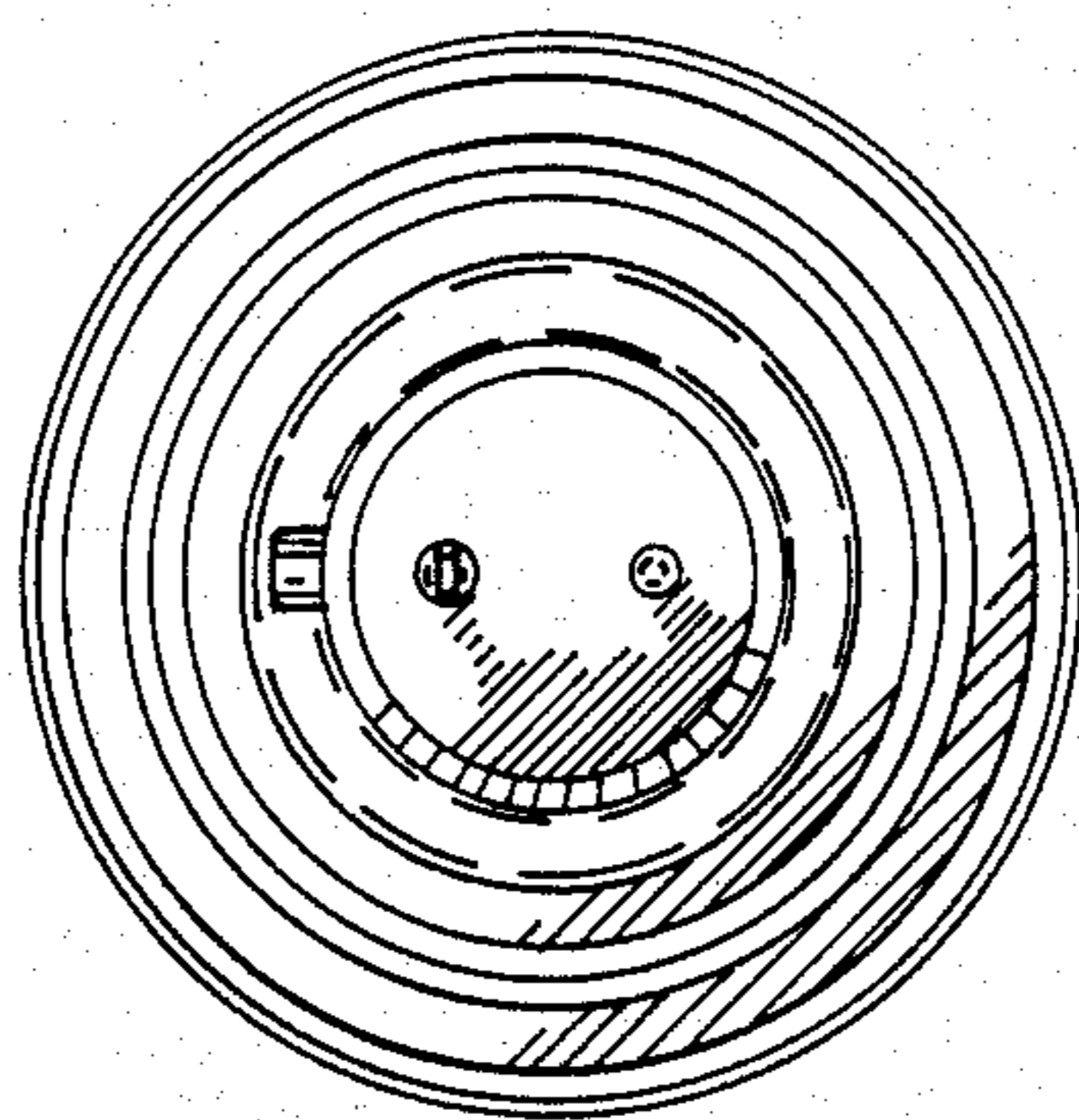


FIG. 4

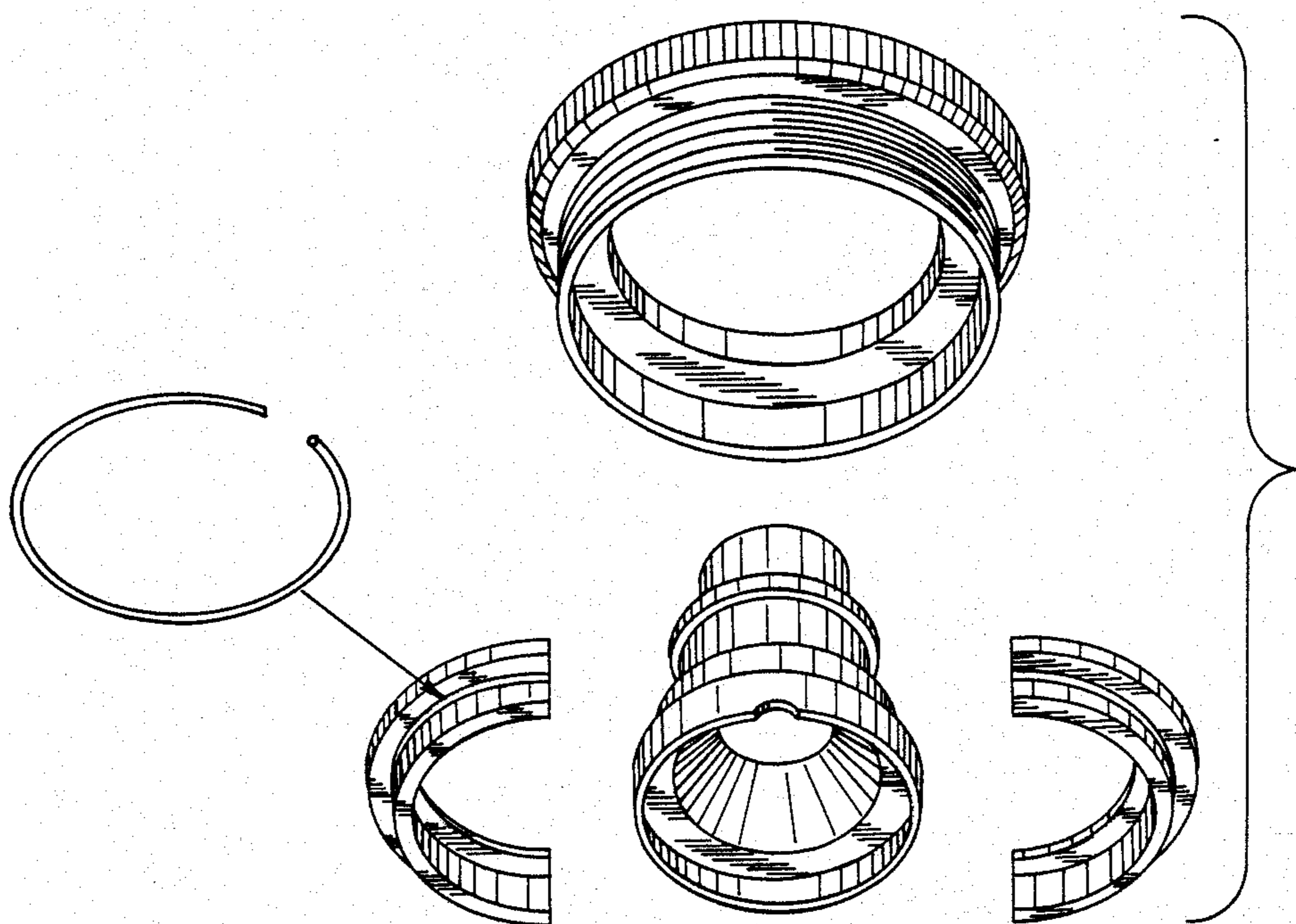


FIG. 3