

[54] **ELECTRICAL WIRE CONNECTOR**

[75] **Inventor: Daniel M. Friederichs, St. Paul, Minn.**

[73] **Assignee: Minnesota Mining and Manufacturing Company, St. Paul, Minn.**

[**] **Term: 14 Years**

[21] **Appl. No.: 948,298**

[22] **Filed: Dec. 31, 1986**

[52] **U.S. Cl. D13/24; D13/26**

[58] **Field of Search D13/11, 12, 18-31, D13/40; 439/395, 396, 402, 628**

[56] **References Cited**

U.S. PATENT DOCUMENTS

D. 55,071	5/1920	Moffat	D13/18
D. 191,399	9/1961	Leach	D13/24
3,388,370	6/1968	Elm	439/402
3,573,713	4/1971	Enright et al.	439/402

FOREIGN PATENT DOCUMENTS

2529025 12/1983 France 439/628

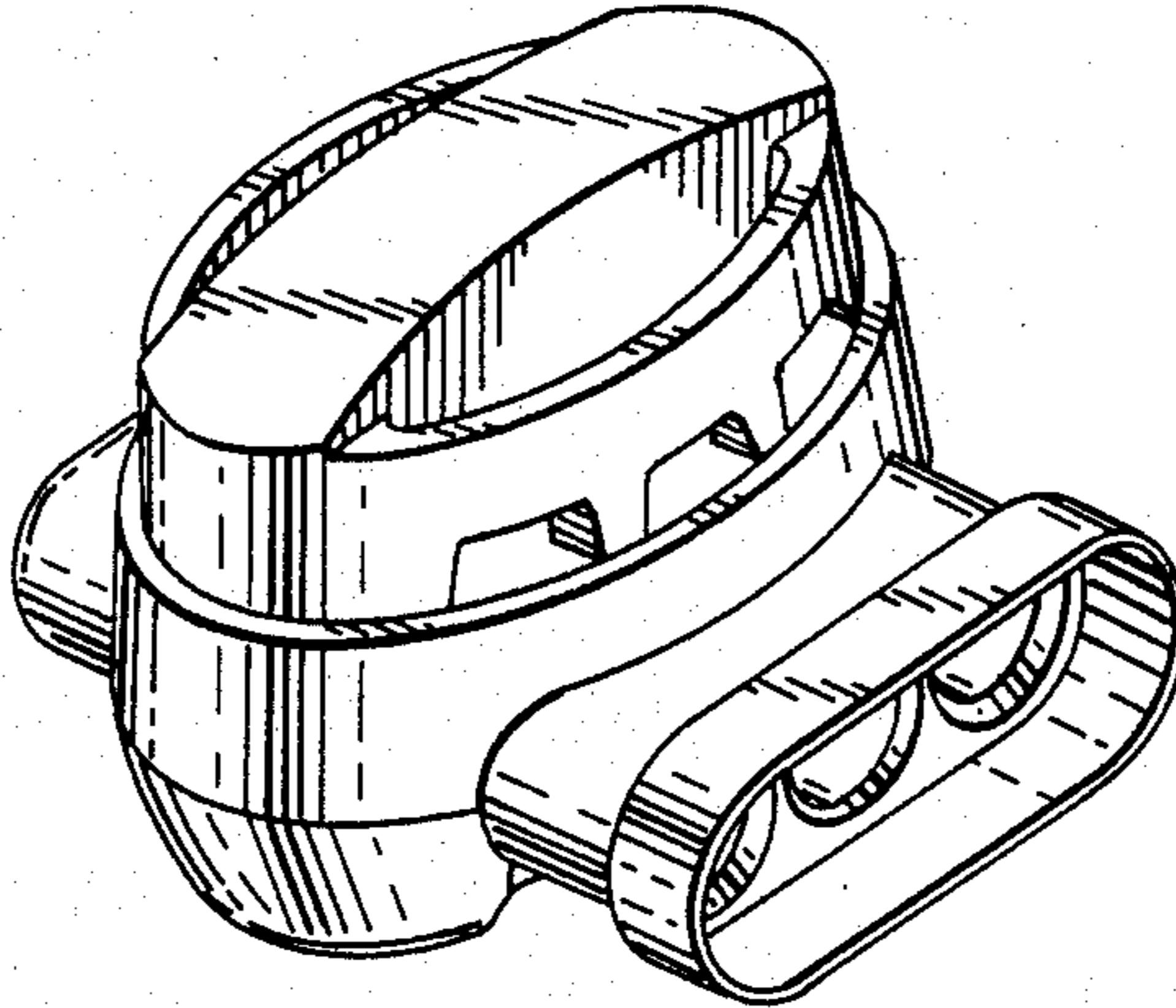
Primary Examiner—Susan J. Lucas
Assistant Examiner—Clare E. Heflin
Attorney, Agent, or Firm—Donald M. Sell; Walter N. Kirn; Terryl K. Qualey

[57] **CLAIM**

The ornamental design for an electrical wire connector, as shown and described.

DESCRIPTION

FIG. 1 is a perspective view showing the top, front and left side of an electrical wire connector showing my new design;
FIG. 2 is a front elevational view thereof;
FIG. 3 is a right side elevational view thereof, the left side being a mirror image;
FIG. 4 is a rear elevational view thereof;
FIG. 5 is a bottom plan view thereof;
FIG. 6 is a top plan view thereof.



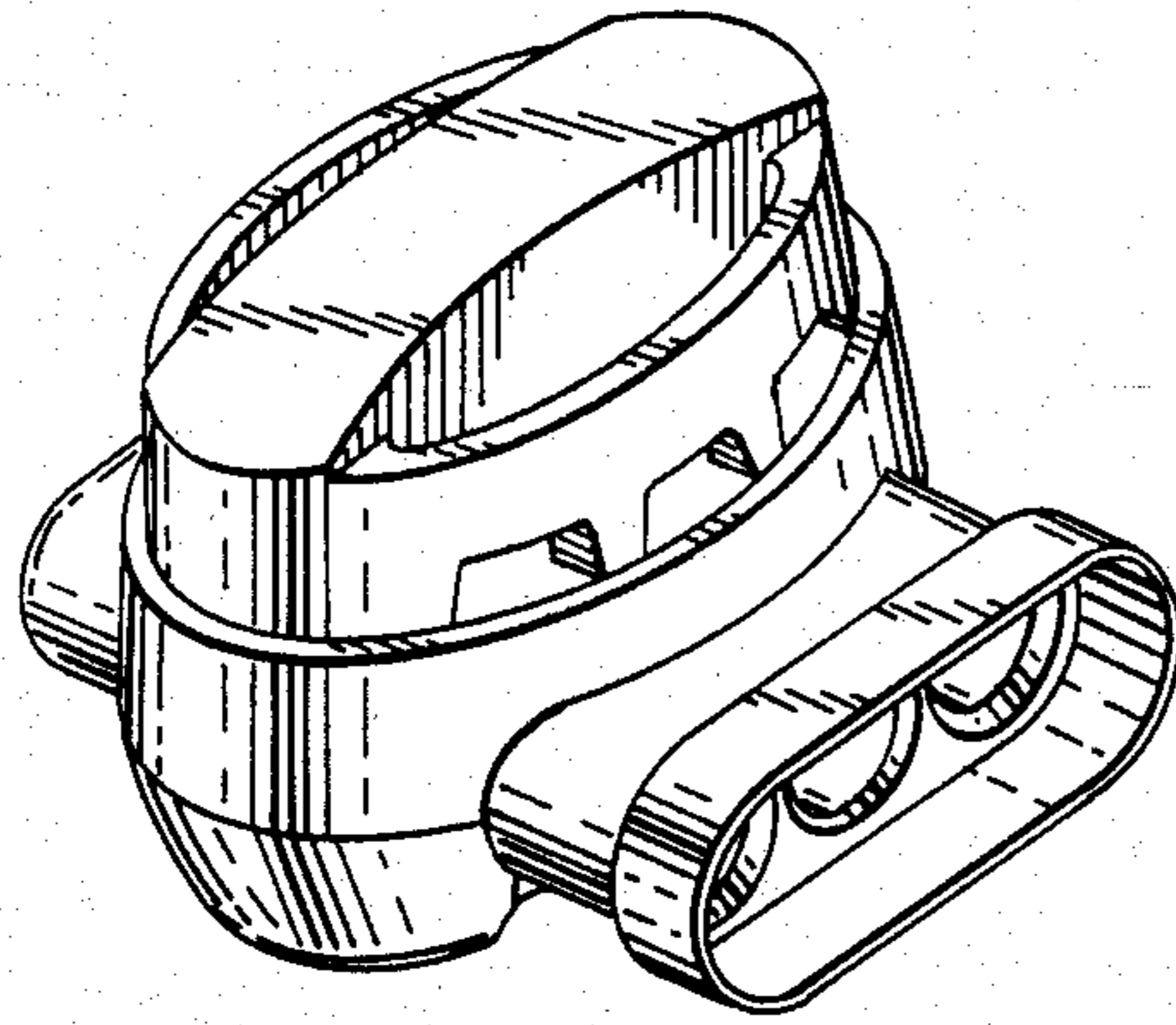


FIG. 1

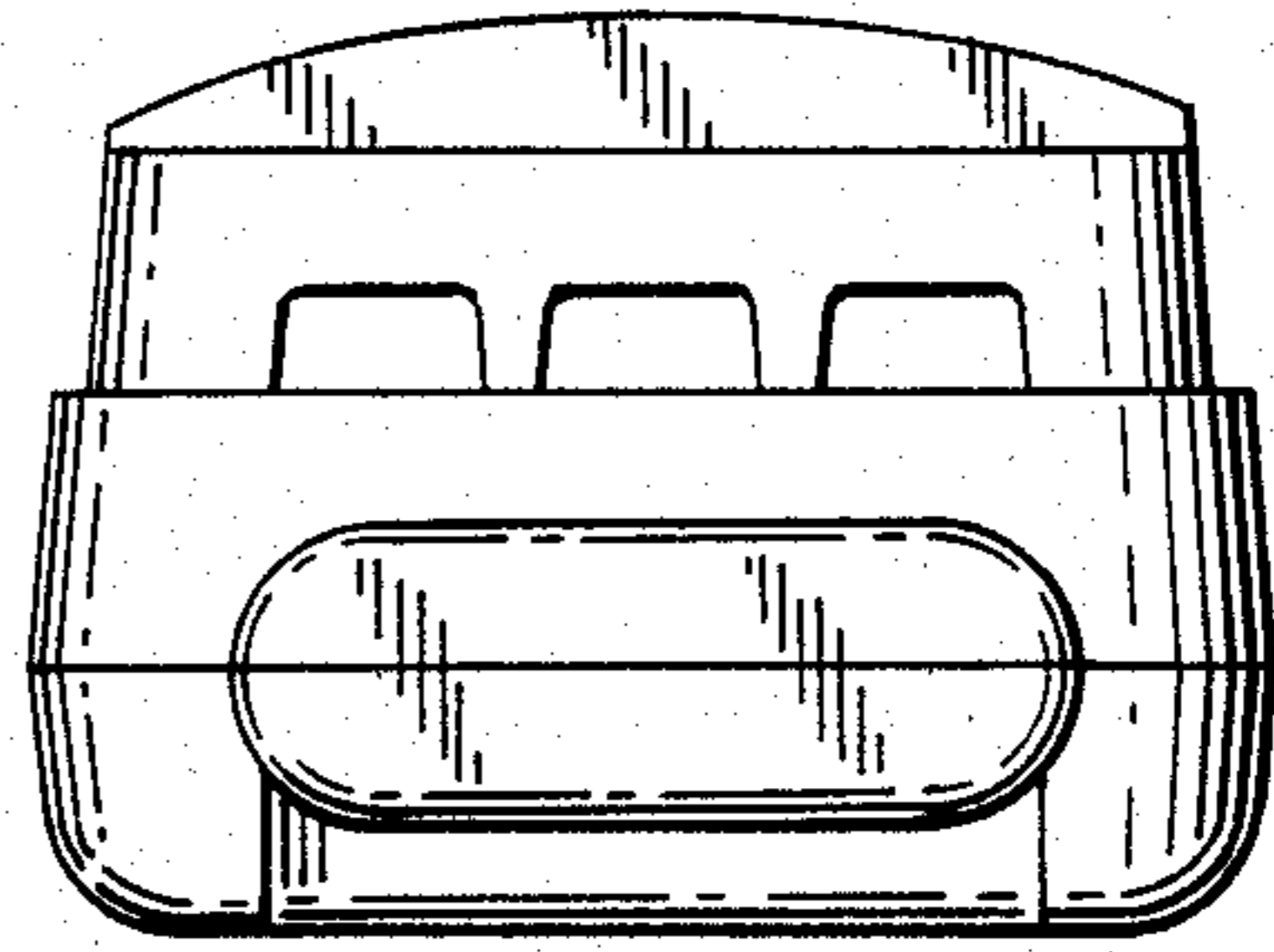


FIG. 4

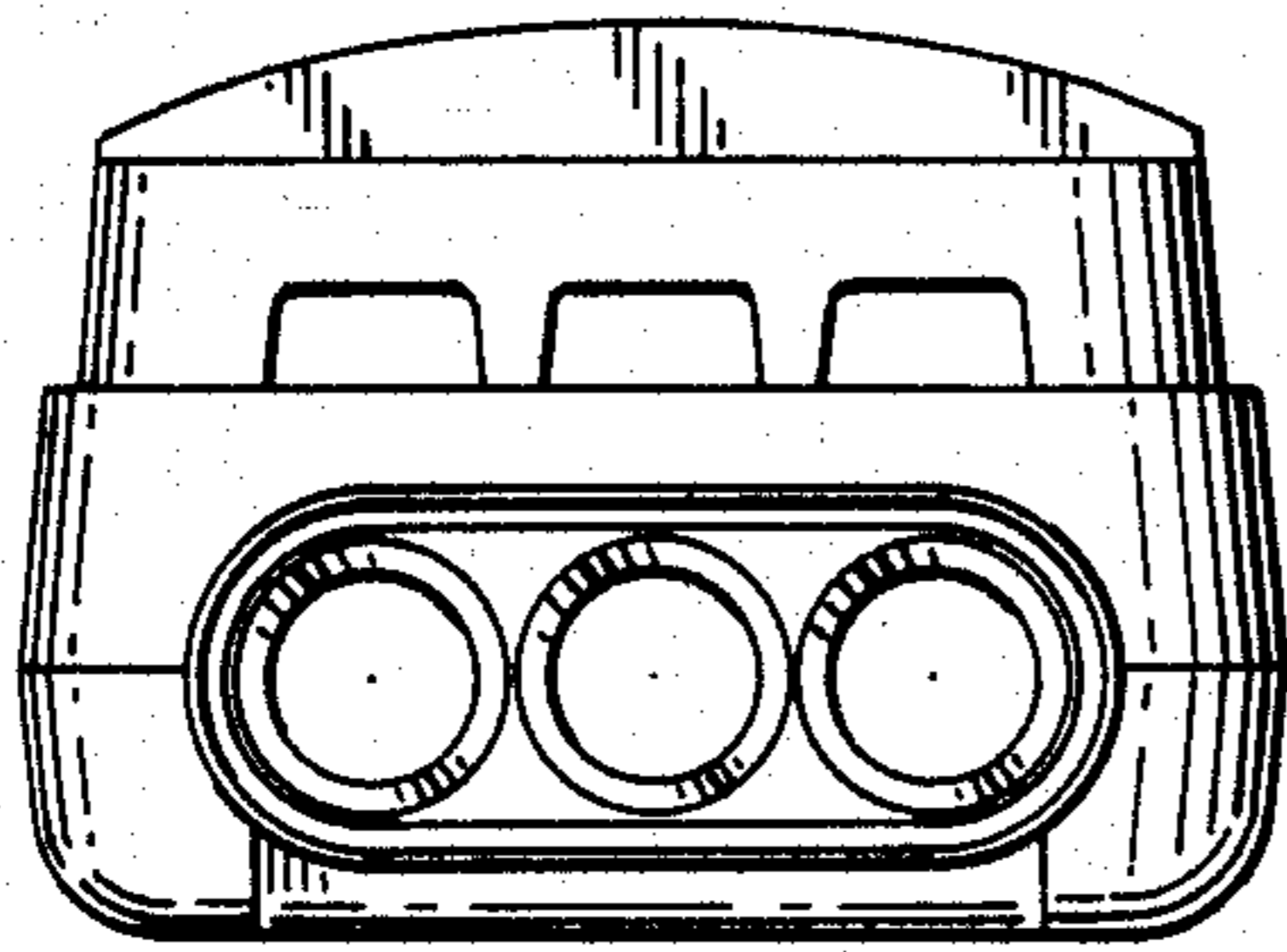


FIG. 2

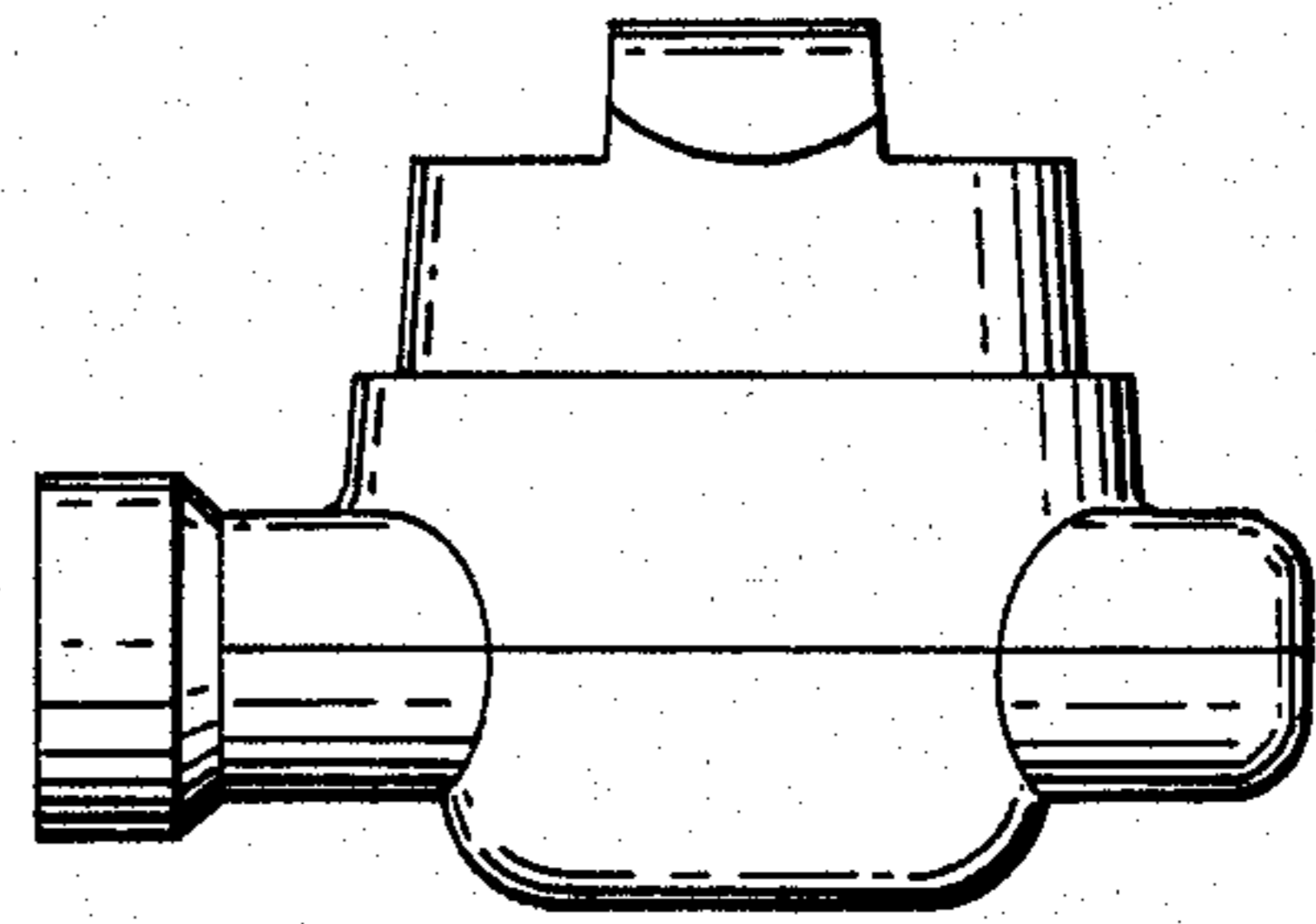


FIG. 3

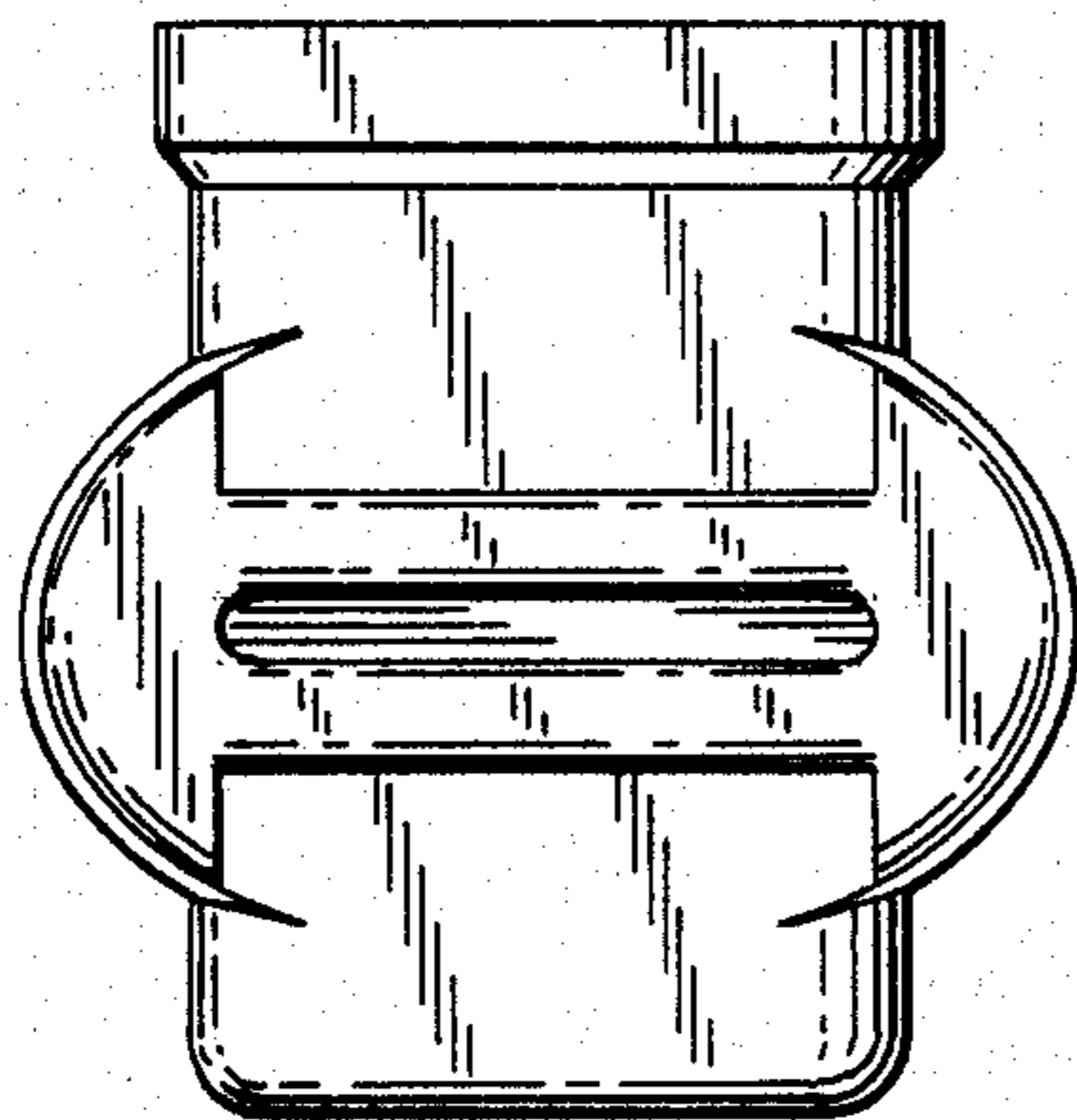


FIG. 5

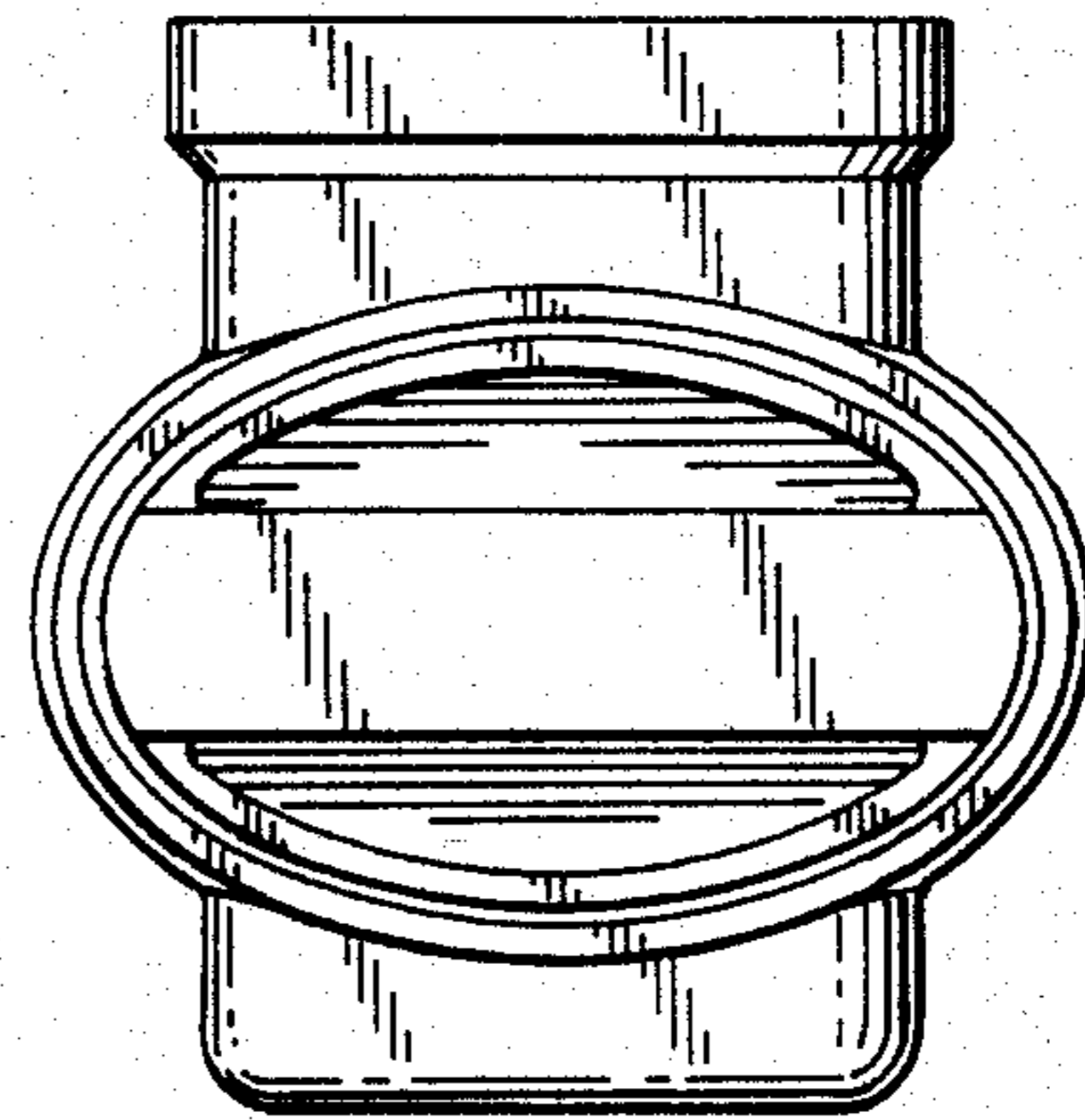


FIG. 6