

[54] **BATTERY CHARGER**

[75] **Inventor:** Craig F. Siddoway, Fort Lauderdale, Fla.

[73] **Assignee:** Motorola, Inc., Schaumburg, Ill.

[**] **Term:** 14 Years

[21] **Appl. No.:** 140,173

[22] **Filed:** Dec. 31, 1987

[52] **U.S. Cl. D13/5**

[58] **Field of Search D13/4-6,
D13/11-12, 41; 320/2-5, 48, 61; D14/76, 99;
429/97-100**

[56] **References Cited**

U.S. PATENT DOCUMENTS

D. 229,500	12/1973	Krumin et al. .	
D. 244,618	6/1977	Goldman et al.	D13/2
D. 271,391	11/1983	Scheid	D13/5
D. 276,149	10/1984	Eckmann et al.	D13/5
D. 277,662	2/1985	Huntington et al.	D13/5
D. 279,181	6/1985	Claxton et al.	D13/5
D. 298,119	10/1988	Richards et al.	D13/6
D. 298,230	10/1988	Lay	D13/6

OTHER PUBLICATIONS

Motorola "HT440" Series Handie Talkie FM Portable Radio spec sheet, Eq. Cat. R3, Sec. 4, Item 84F.

Motorola "EXPO" Series Handie-Talkie FM Portable Radio spec sheet.

Motorola "MT500" Series Handie-Talkie Two Way FM Portable Radio spec sheet; Eq. Cat. R3, Sec. 4, Item 79E.

Motorola "MX300-S" Synthesized Series FM Handie-Talkie Radio spec sheet; Eq. Cat. R3, Sec. 4, Item 80B.

Primary Examiner—Bruce W. Dunkins

Assistant Examiner—Ruth Takemoto

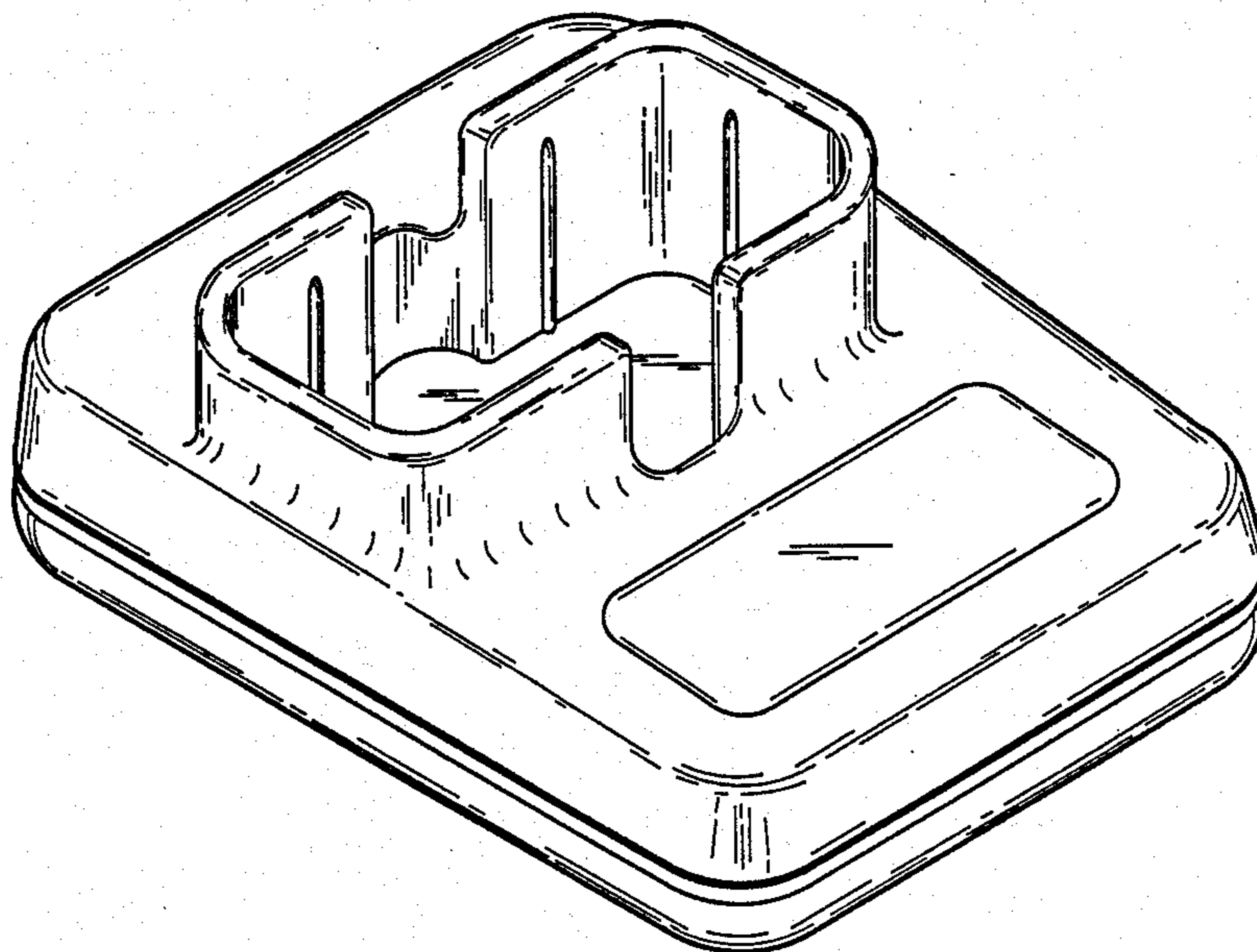
Attorney, Agent, or Firm—Mark P. Kahler

[57] **CLAIM**

The ornamental design for a battery charger, as shown and described.

DESCRIPTION

FIG. 1 is a top, front and left side perspective view of a battery charger showing my new design; FIG. 2 is a right side elevational view thereof; FIG. 3 is a rear elevational view thereof; FIG. 4 is a bottom plan view thereof; and FIG. 5 is a top plan view thereof.



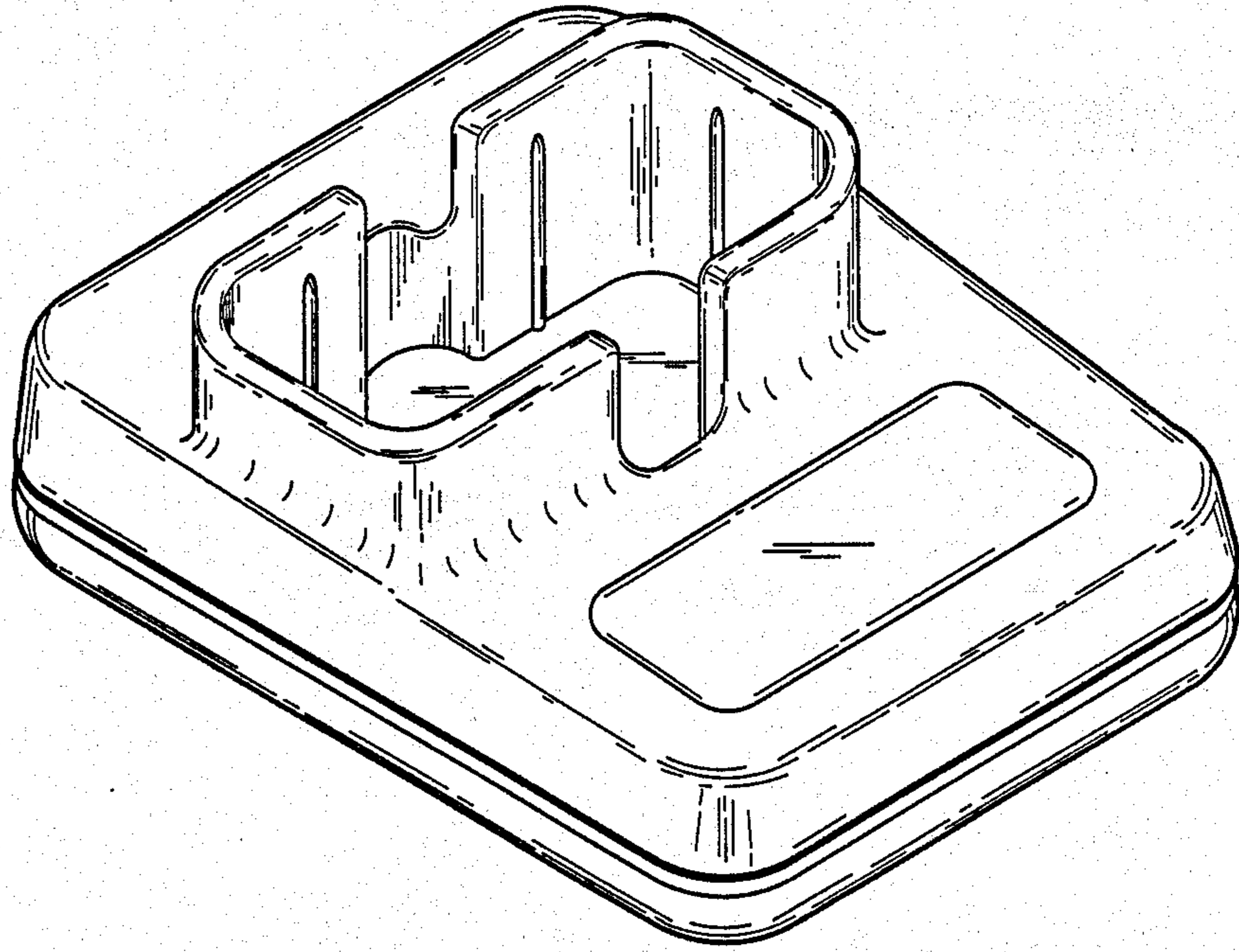


FIG. 1

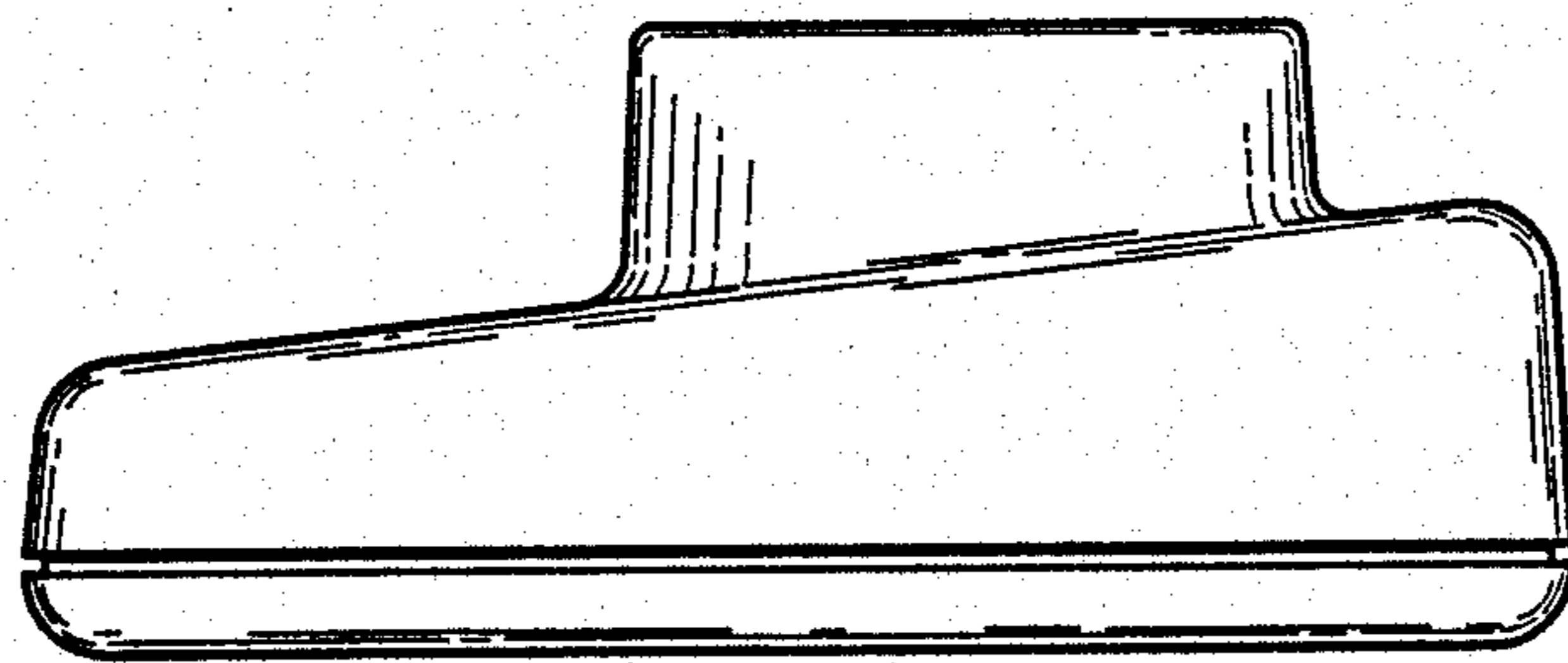


FIG. 2

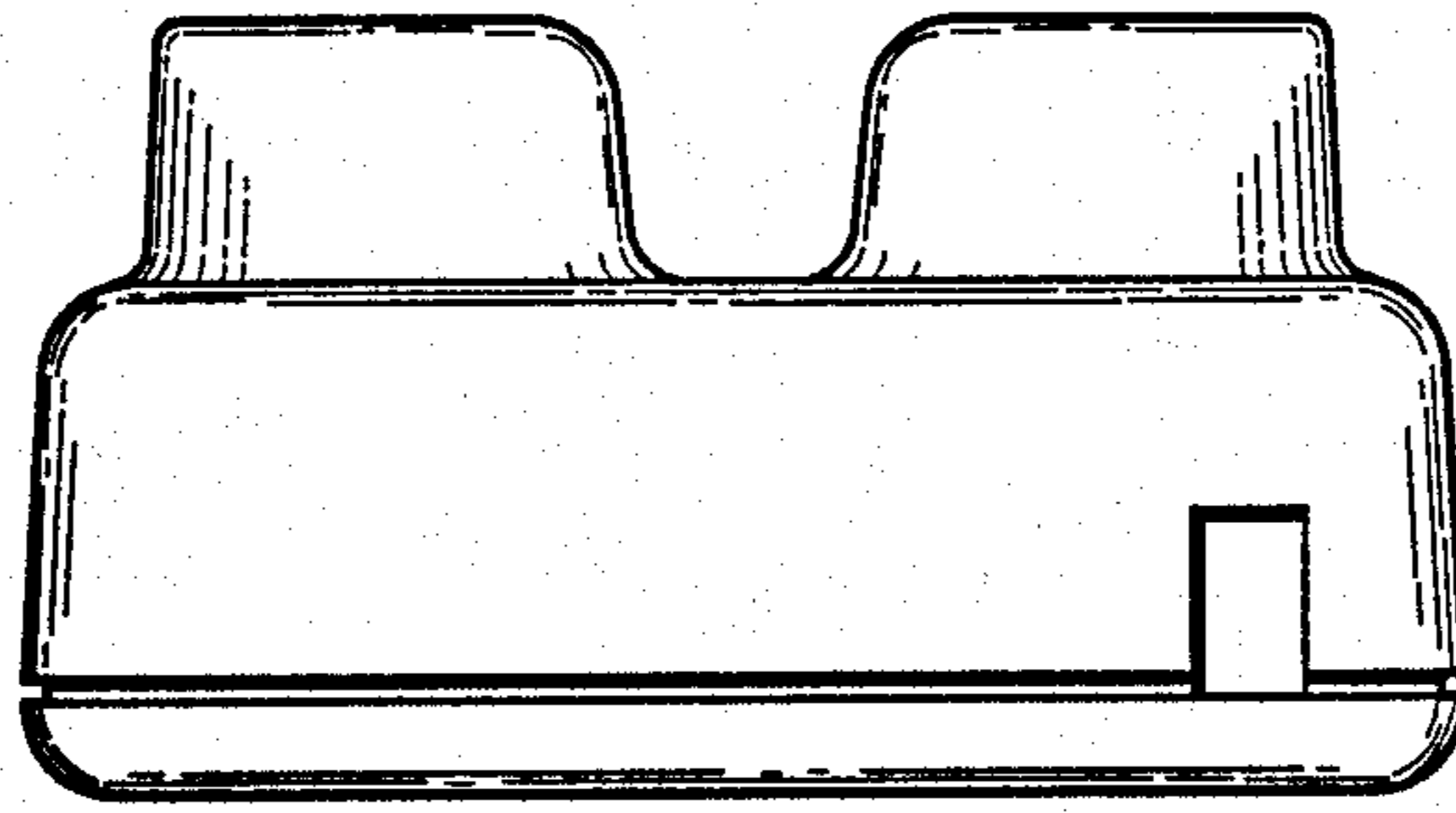


FIG. 3

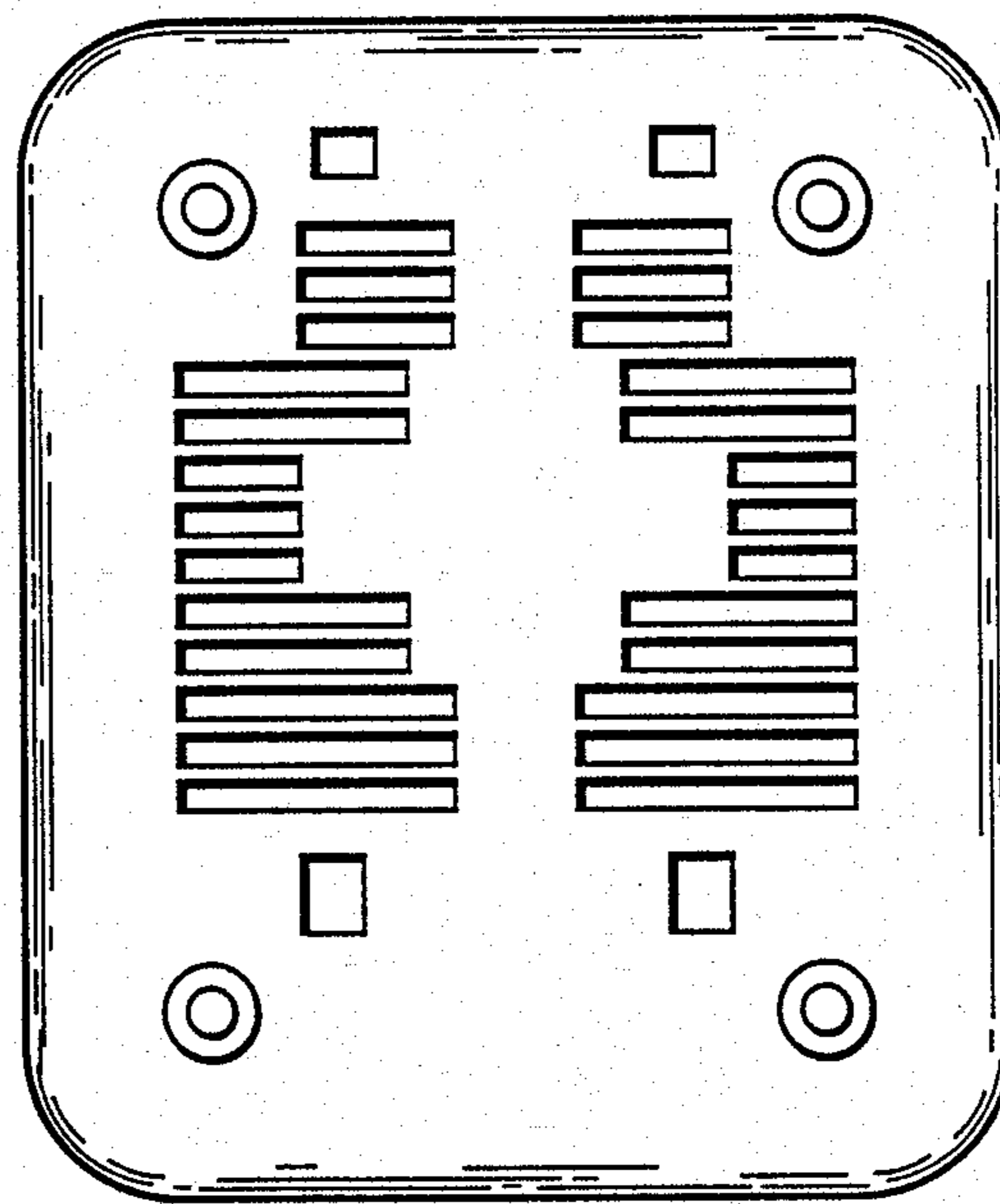


FIG. 4

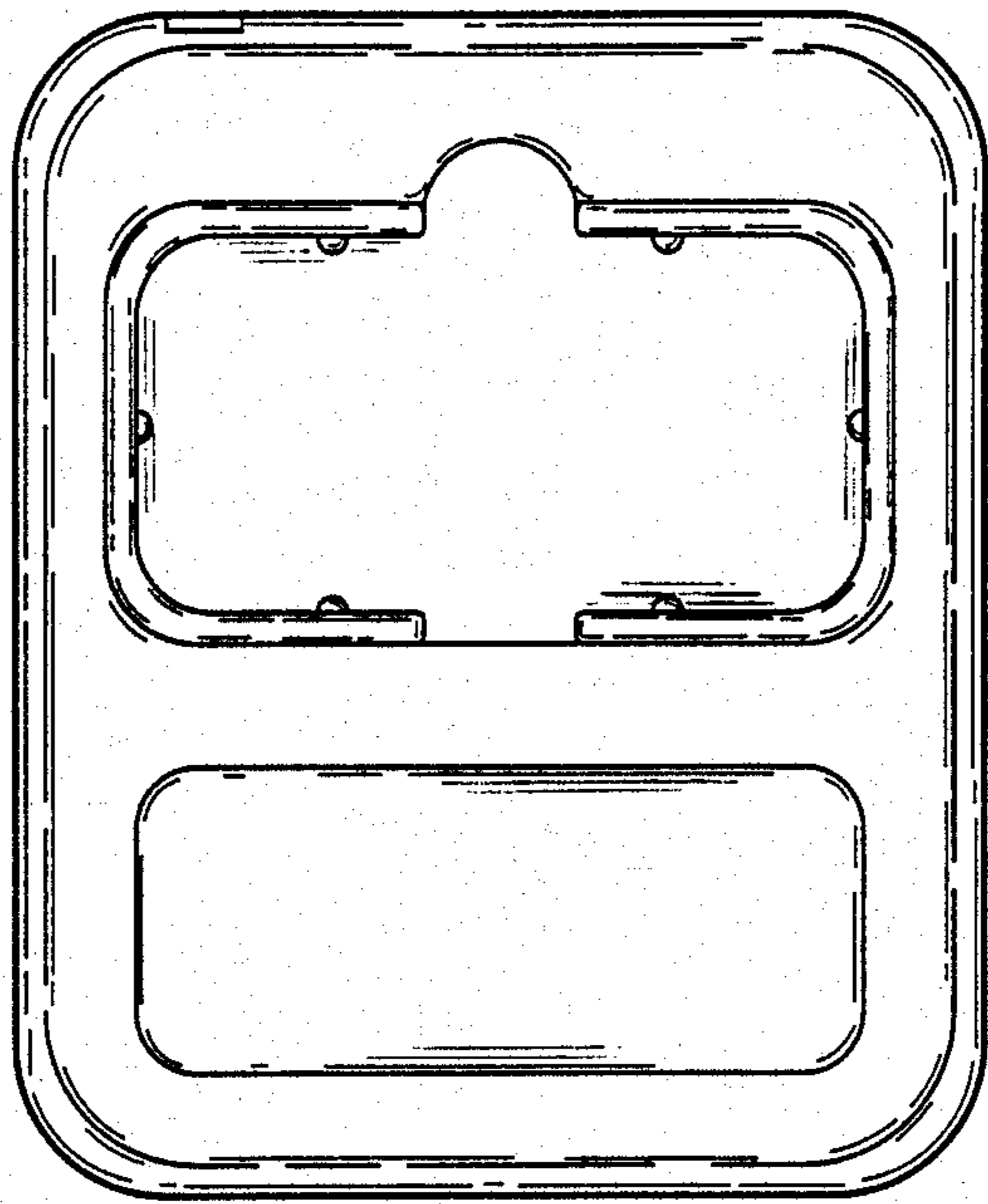


FIG. 5