

[54] MINIATURE ELECTRIC MOTOR

[56] References Cited

[75] Inventors: Naoyuki Hara; Ipei Hagiwara, both of Gifu, Japan

U.S. PATENT DOCUMENTS

|            |         |               |       |         |
|------------|---------|---------------|-------|---------|
| D. 294,141 | 2/1988  | Veda et al.   | ..... | D13/1   |
| 59,455     | 10/1921 | Brachtl       | ..... | D13/1   |
| 4,093,897  | 6/1978  | Fujita et al. | ..... | D13/2   |
| 4,275,339  | 6/1981  | Burke et al.  | ..... | 318/138 |

[73] Assignee: Mitsubishi Denki Kabushiki Kaisha, Tokyo, Japan

Primary Examiner—Bruce W. Dunkins  
Assistant Examiner—Ruth Takemoto  
Attorney, Agent, or Firm—Sughrue, Mion, Zinn, Macpeak & Seas

[\*\*] Term: 14 Years

[57] CLAIM

[21] Appl. No.: 850,366

The ornamental design for a miniature electric motor, as shown and described.

[22] Filed: Apr. 4, 1986

DESCRIPTION

[30] Foreign Application Priority Data

Oct. 16, 1985 [JP] Japan ..... 60-43439

[52] U.S. Cl. .... D13/1

[58] Field of Search ..... D13/1-3;  
310/10, 40 R, 40 MM, 51, 85, 179, 216, 231,  
236, 261, 67 R, 68 R, 68 B, 154, 180, 198, 254,  
268, 257, 267, 272, 232, 91, 49 R; 318/138

FIG. 1 is a perspective view of a miniature electric motor showing our new design;  
FIG. 2 is a front elevational view thereof;  
FIG. 3 is a rear elevational view thereof;  
FIG. 4 is a side elevational view thereof;  
FIG. 5 is a side elevational view thereof, of the opposite side of FIG. 4;  
FIG. 6 is a top plan view thereof; and  
FIG. 7 is a bottom plan view thereof.

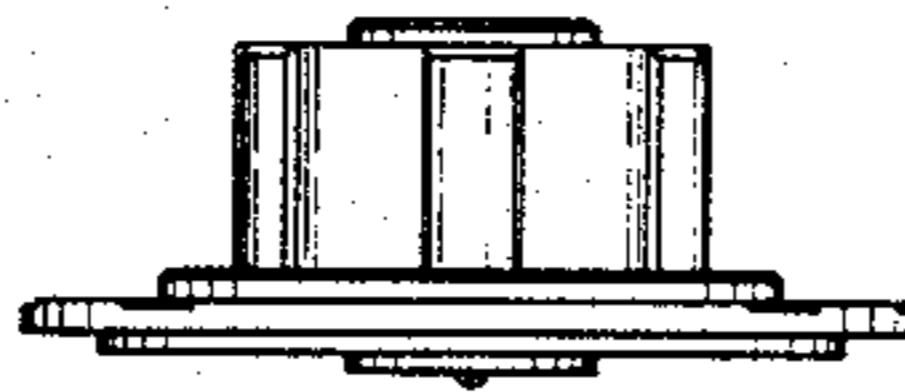
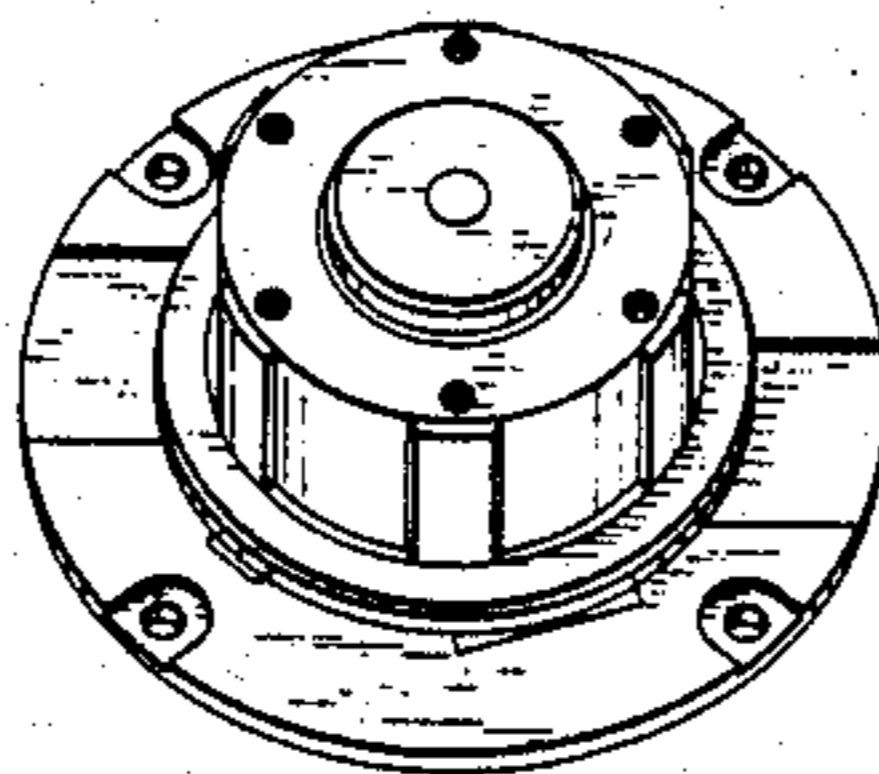


FIG. 1

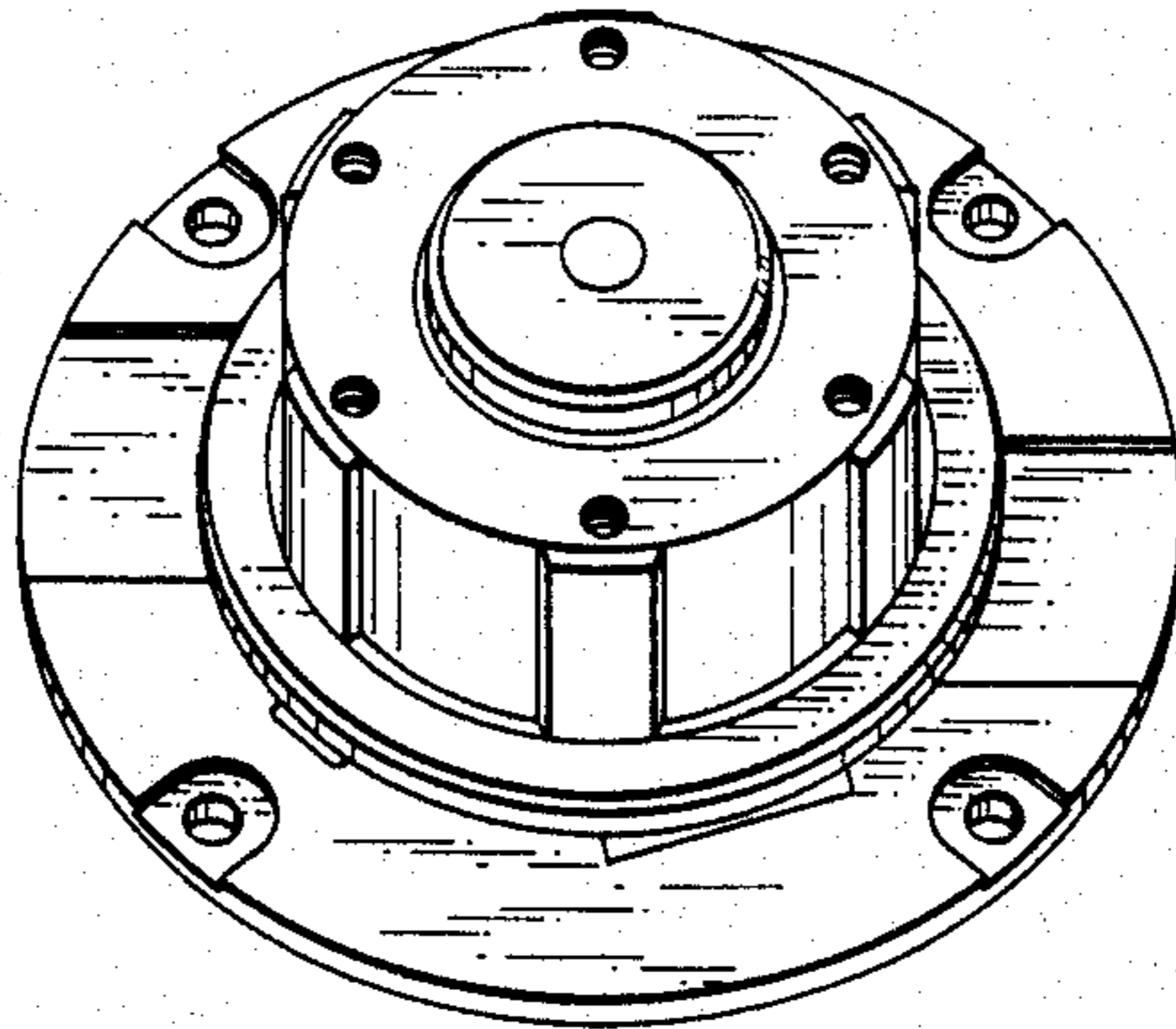


FIG. 2

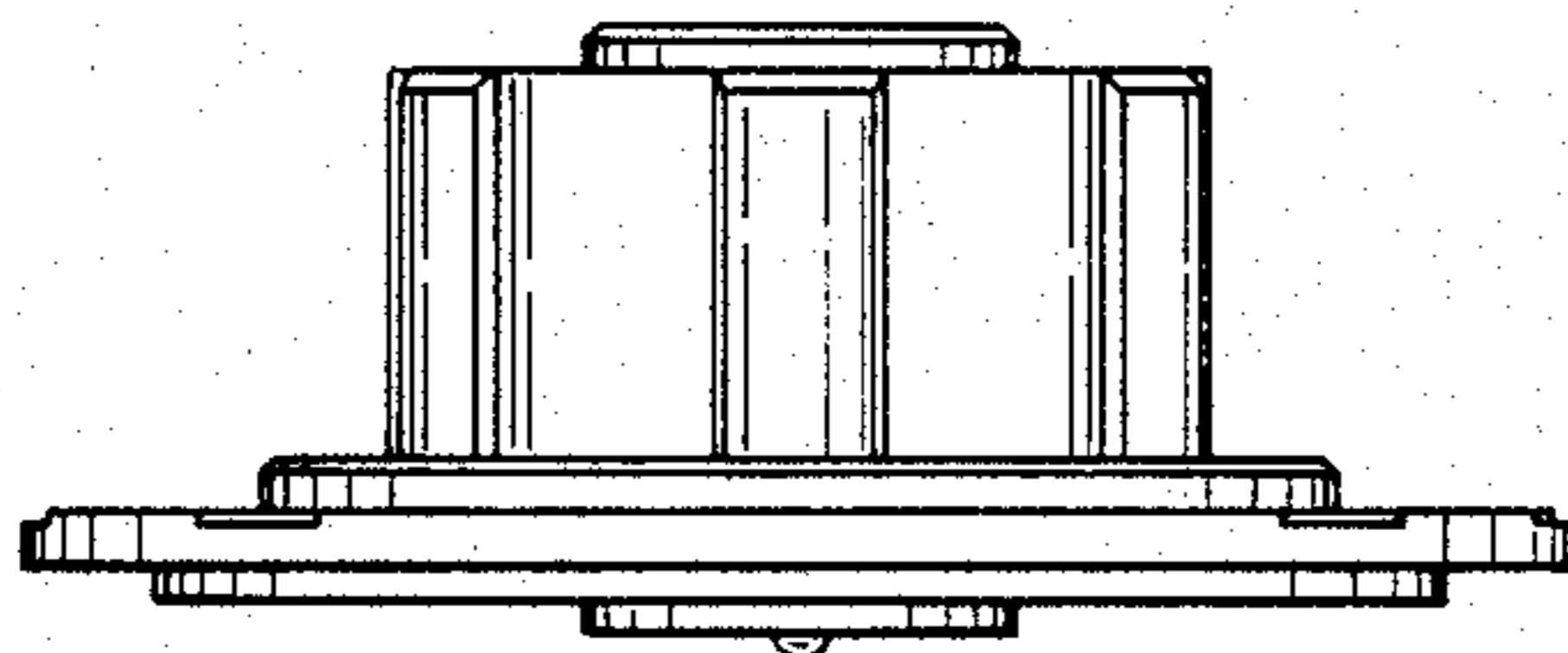


FIG. 3

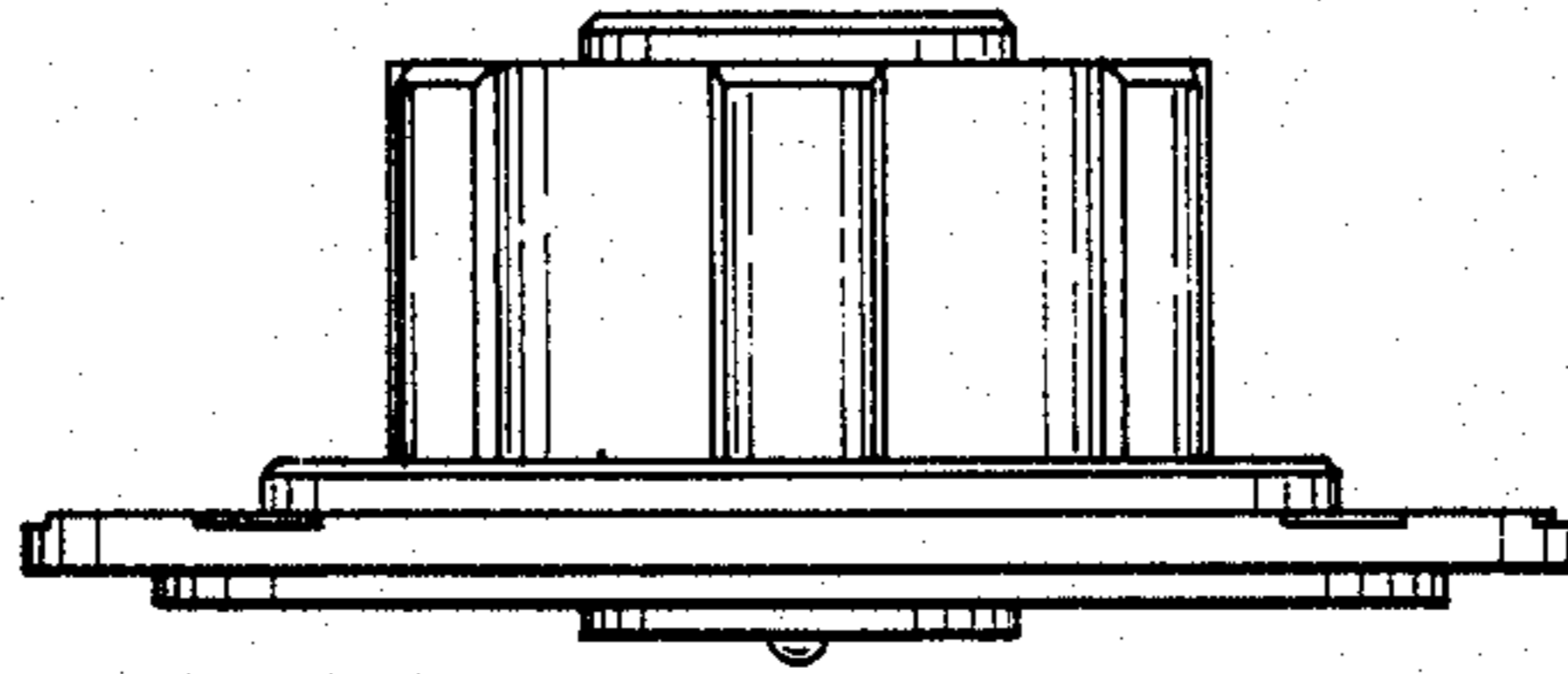


FIG. 4

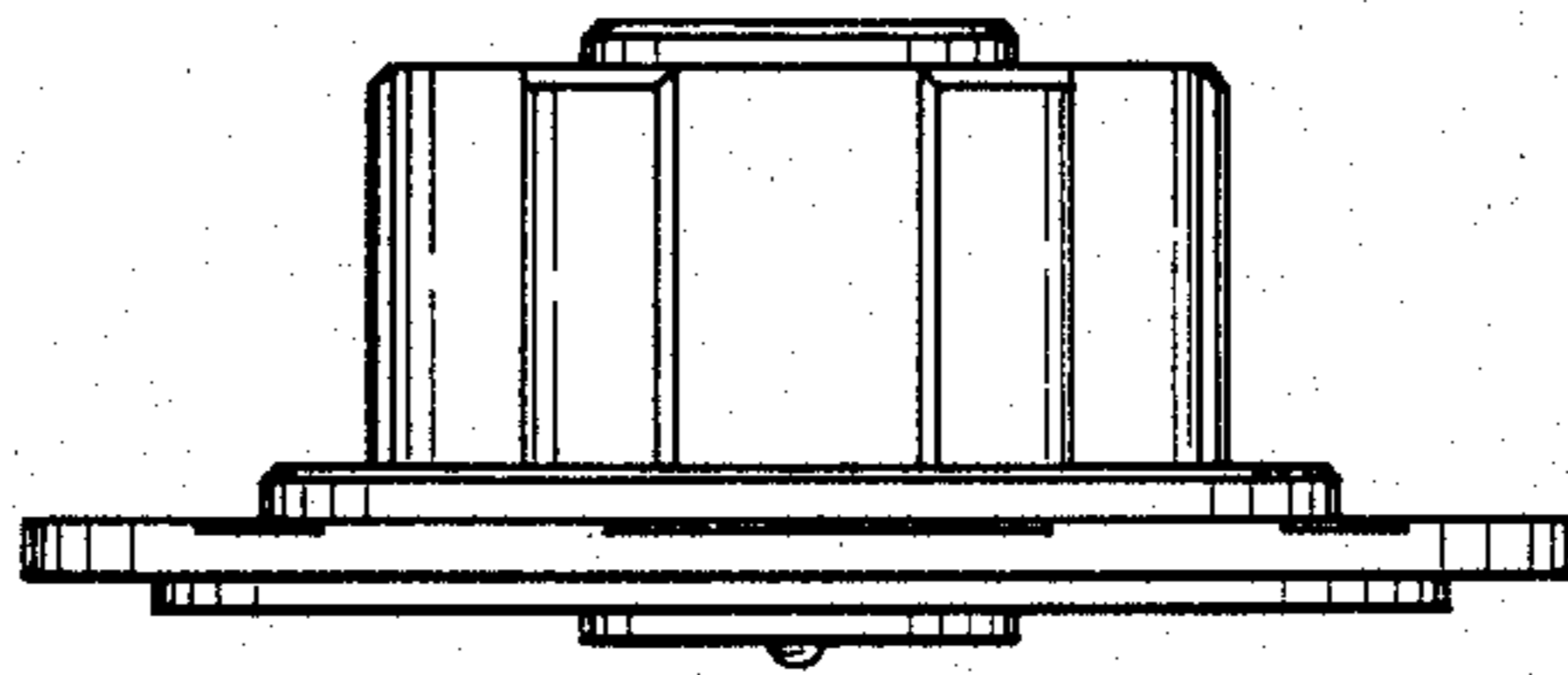


FIG. 5

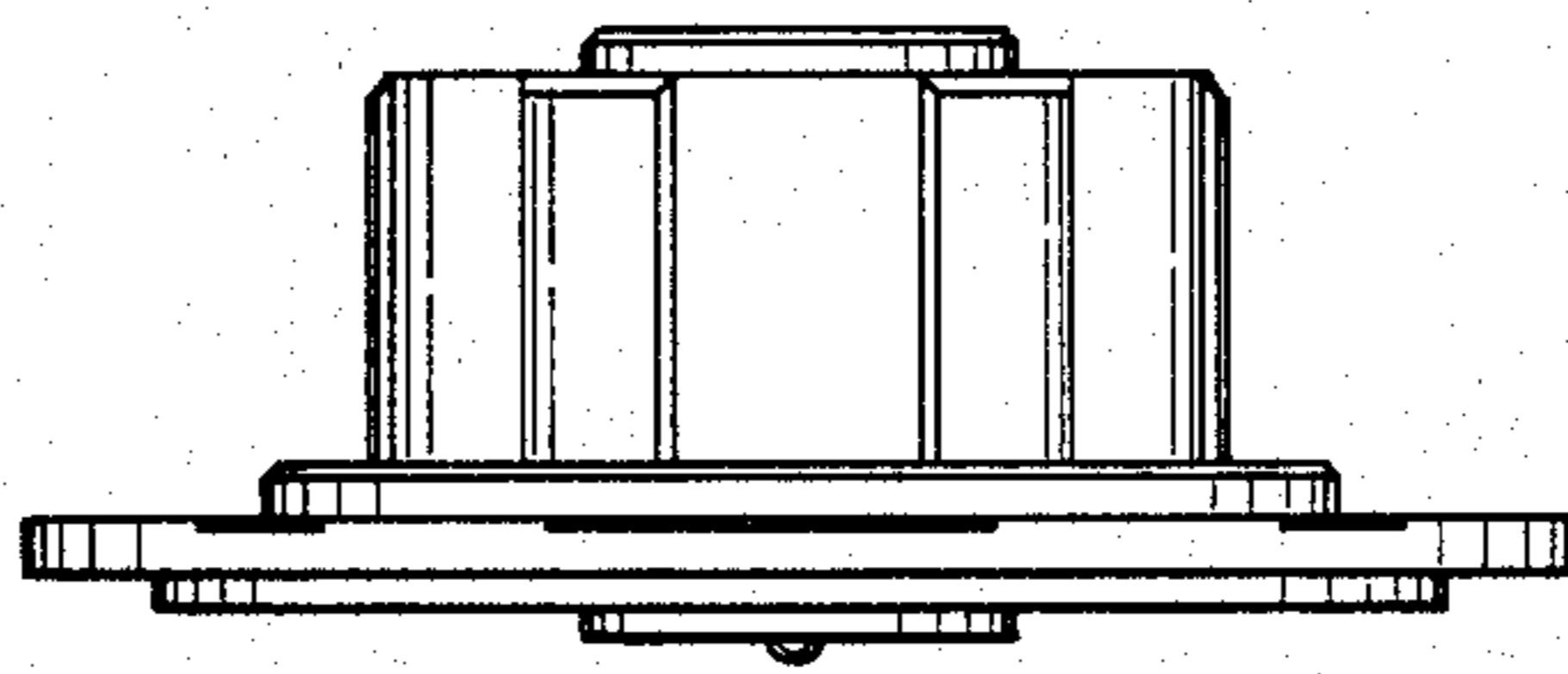


FIG. 6

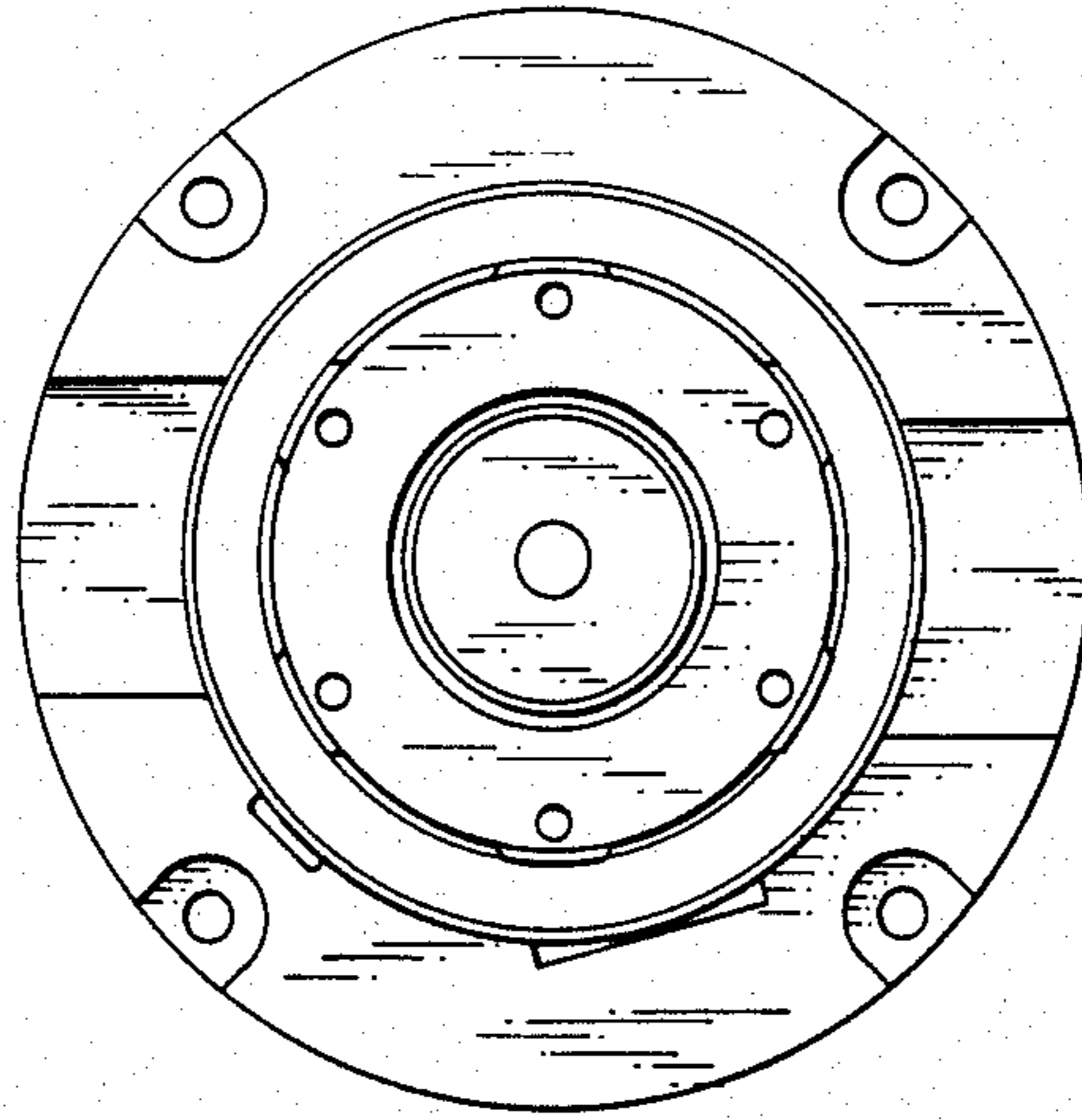


FIG. 7

