

[54] VEHICLE WHEEL CENTER COMPONENT

[75] Inventor: Donald J. Reid, Plymouth, Mich.

[73] Assignee: Kelsey-Hayes Company, Romulus, Mich.

[**] Term: 14 Years

[21] Appl. No.: 661,268

[22] Filed: Jan. 7, 1987

[52] U.S. Cl. D12/213; D12/206

[58] Field of Search D12/206, 209, 211, 213; 301/37 R, 37 SS, 37 P, 64 R, 64 SD, 65

[56] References Cited

U.S. PATENT DOCUMENTS

D. 209,196	11/1967	Main et al.	D12/211
3,390,917	7/1968	Tilghman et al.	D12/213
4,645,268	2/1987	Carlson	D12/206

Primary Examiner—James M. Gandy
Attorney, Agent, or Firm—Ralph J. Skinkiss

[57] CLAIM

The ornamental design for a vehicle wheel center component, as shown and described.

DESCRIPTION

FIG. 1 is a right front perspective view of my vehicle wheel center component.

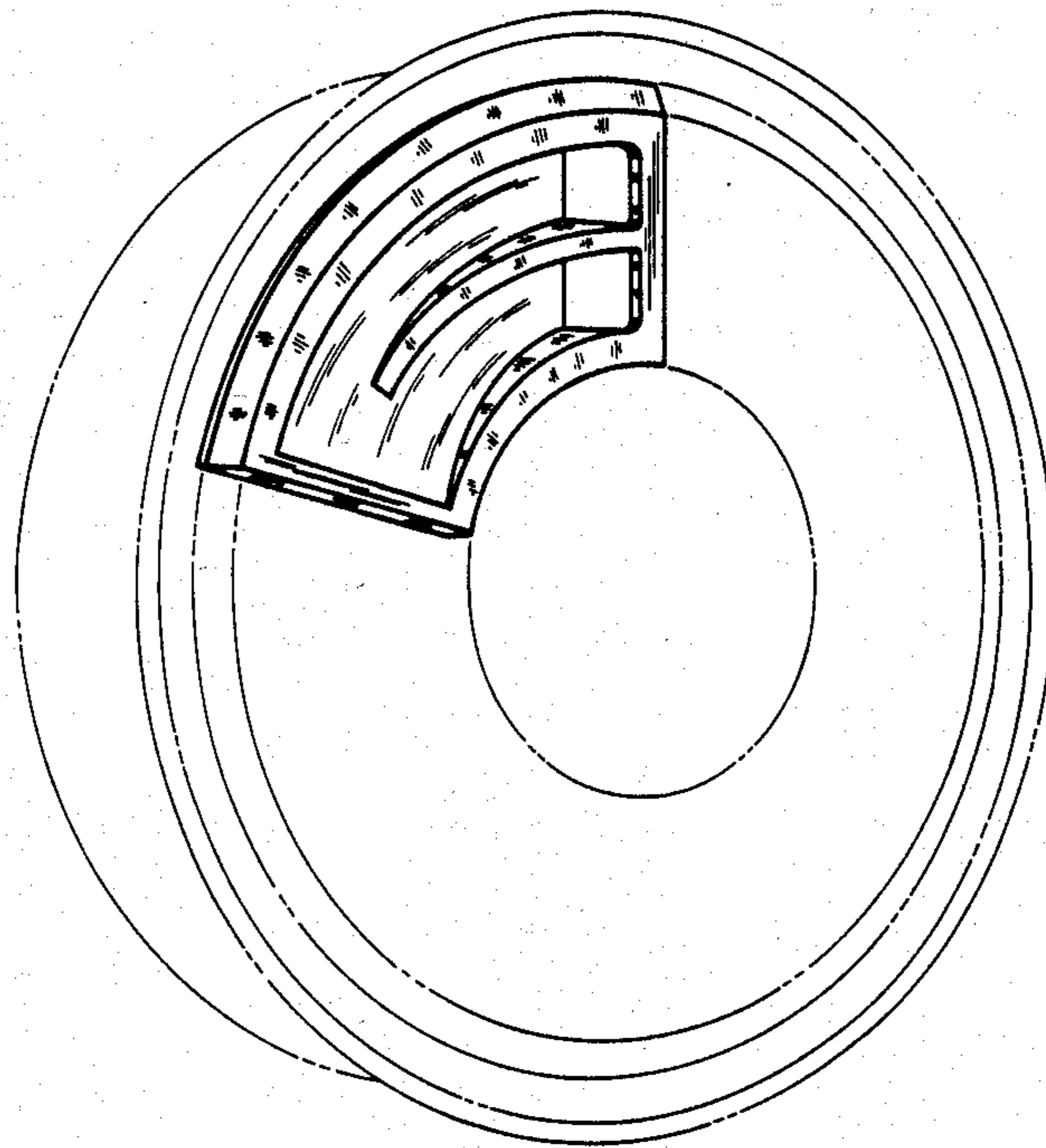
FIG. 2 is a front elevational view of my vehicle wheel center component.

FIG. 3 is a sectional view taken along line 3—3 in FIG. 2.

FIG. 4 is a sectional view taken along line 4—4 in FIG. 2.

FIG. 5 is a sectional view taken along line 5—5 in FIG. 2.

The broken lines in the drawing are for illustrative purposes only and form no part of the claimed design.



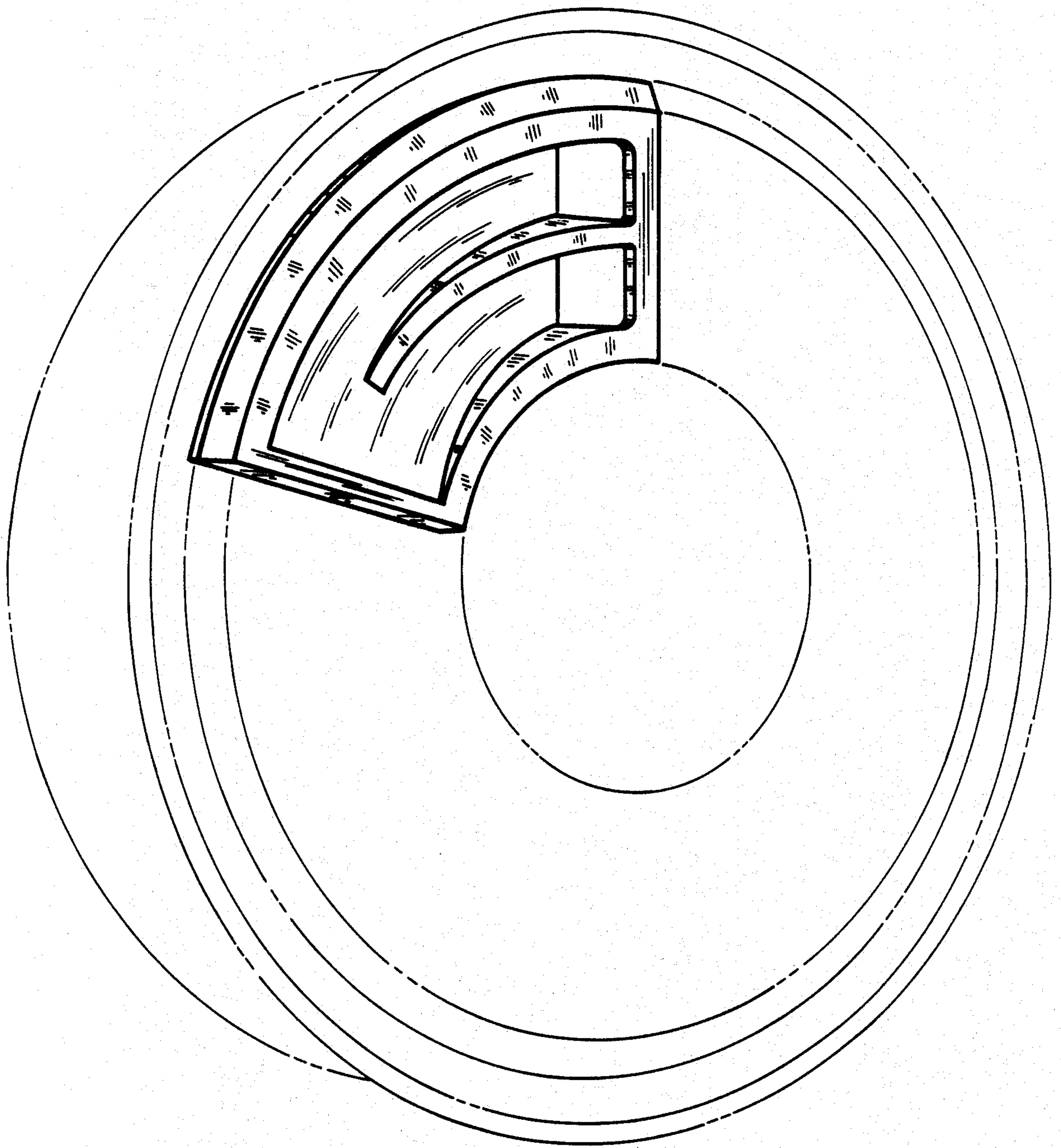


FIG. 1

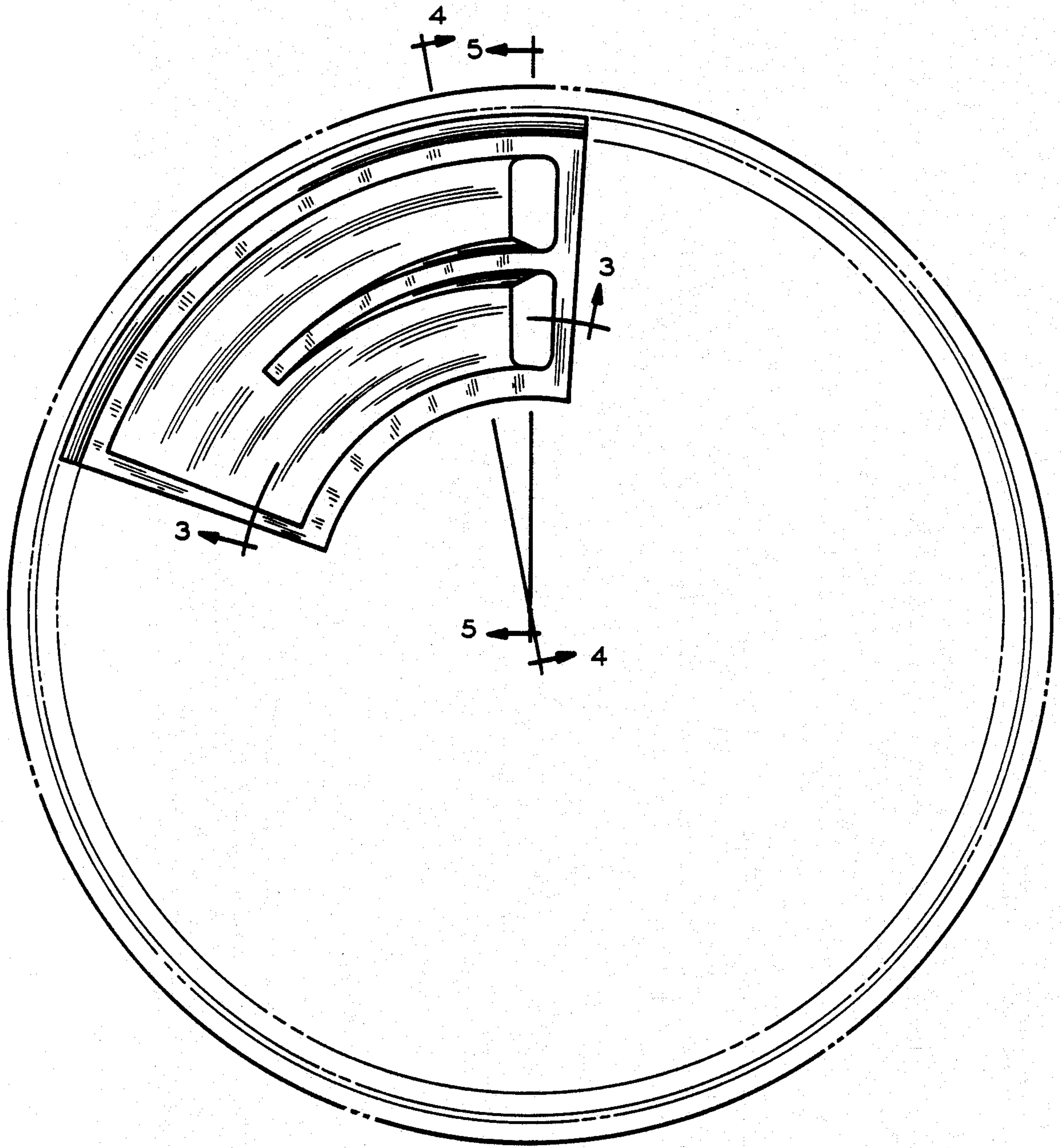


FIG. 2

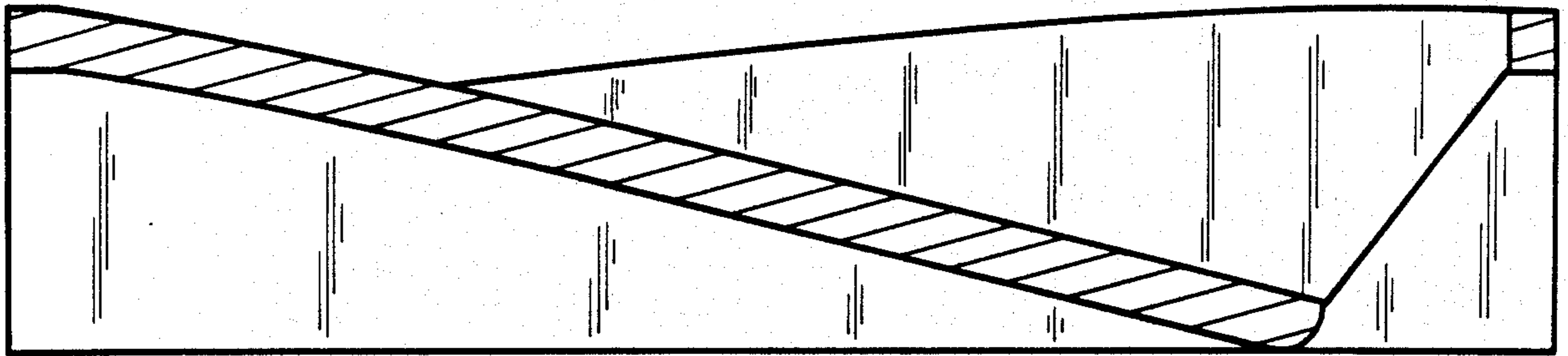


FIG. 3

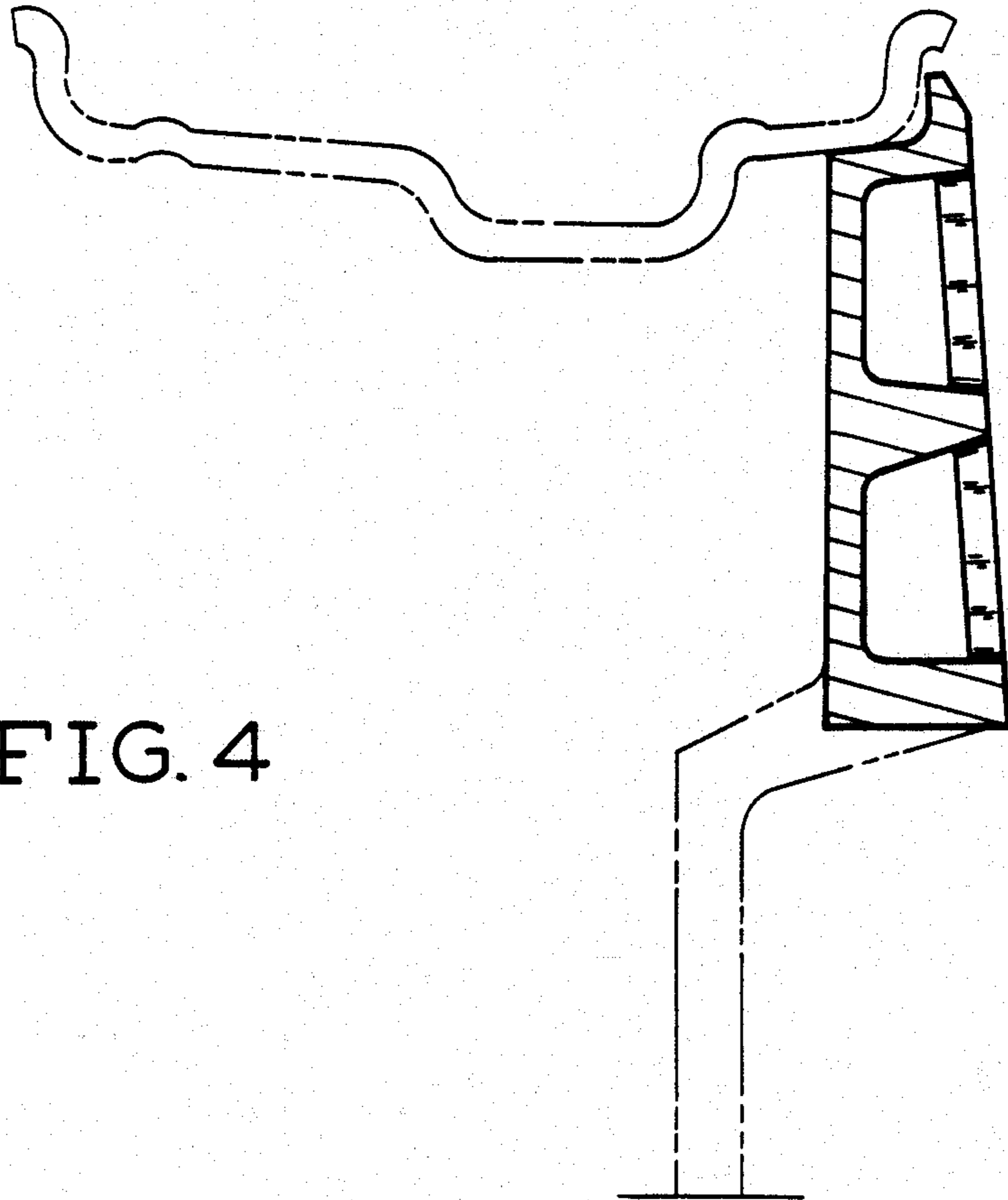


FIG. 4

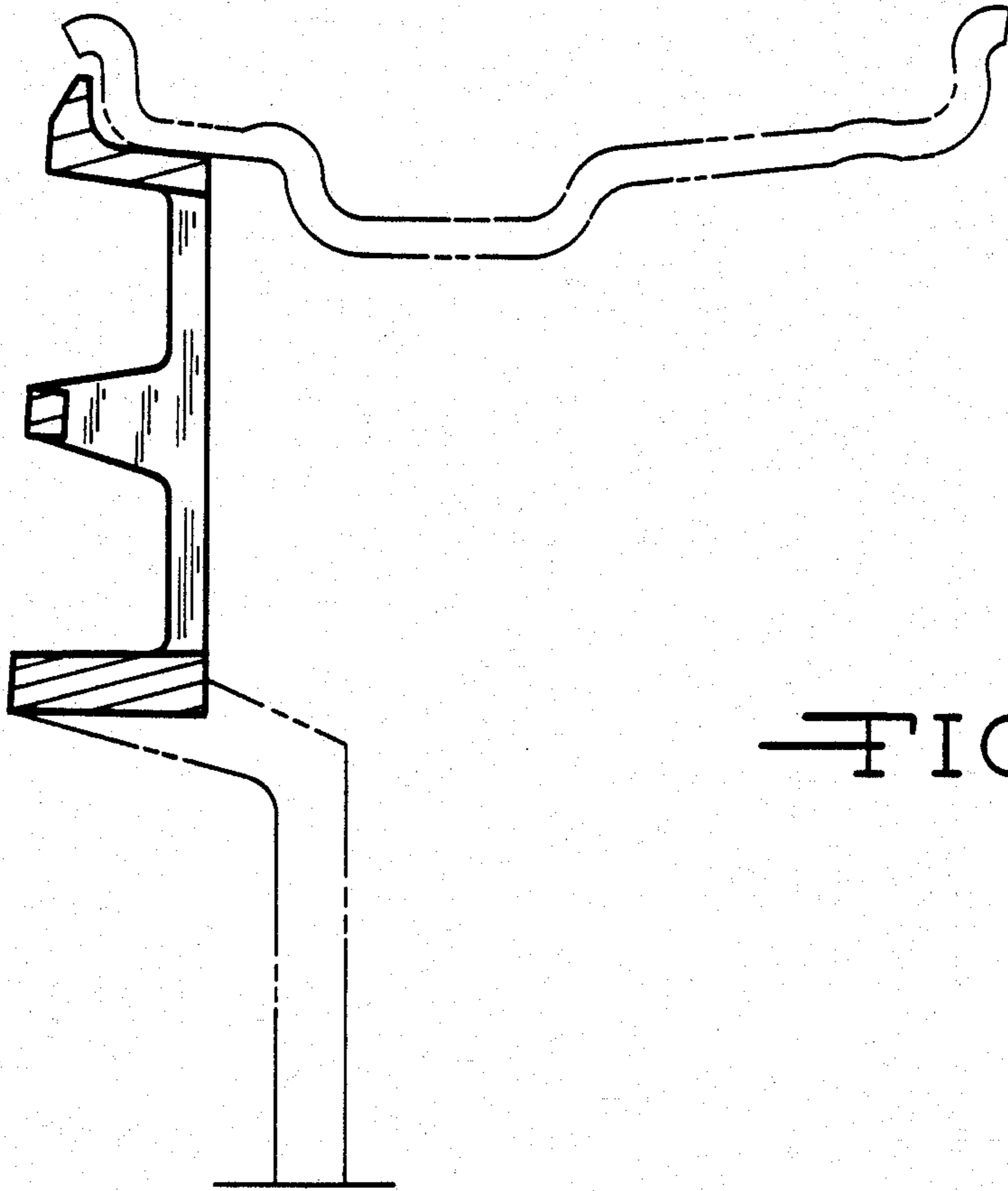


FIG. 5