

[54] **VEHICLE EXTERIOR SUN VISOR**

[75] **Inventor: Richard J. Kingsley, N. Bonneville, Wash.**

[73] **Assignee: Saturn Corporation, Tacoma, Wash.**

[**] **Term: 14 Years**

[21] **Appl. No.: 915,321**

[22] **Filed: Oct. 3, 1986**

[52] **U.S. Cl. D12/191**

[58] **Field of Search D12/191; 296/95 R, 97 A**

[56] **References Cited**

U.S. PATENT DOCUMENTS

- D. 283,611 4/1986 Kingsley D12/191
- D. 288,310 2/1987 Lund D12/191

OTHER PUBLICATIONS

J. C. Whitney Catalog No. 466 C, p. 45, Fiberglass Sun Visor, center left side of page.

J. C. Whitney Catalog No. 431 C, ©1983, p. 121, Custom-Fit Sun Visor, top left side of page.

Primary Examiner—James M. Gandy

Attorney, Agent, or Firm—Hughes, Cassidy & Multer

[57] **CLAIM**

The ornamental design for a vehicle exterior sun visor, as shown and described.

DESCRIPTION

FIG. 1 is a front isometric view of a vehicle exterior sun visor showing my new design it being understood that the broken lines are for illustrative purposes only and form no part of the claimed design;

FIG. 2 is a rear isometric view thereof;

FIG. 3 is a top plan view thereof;

FIG. 4 is a bottom plan view thereof;

FIG. 5 is a front elevation view thereof;

FIG. 6 is a rear elevation view thereof;

FIG. 7 is a side elevation view thereof;

FIG. 8 is a rear isometric view of a vehicle exterior sun visor showing a second embodiment of my new design the sole difference being in the number and shape of apertures in the rear wall; and,

FIG. 9 is a rear isometric view of a vehicle exterior sun visor showing a third embodiment of my new design the sole difference being in the number and shape of apertures in the rear wall.

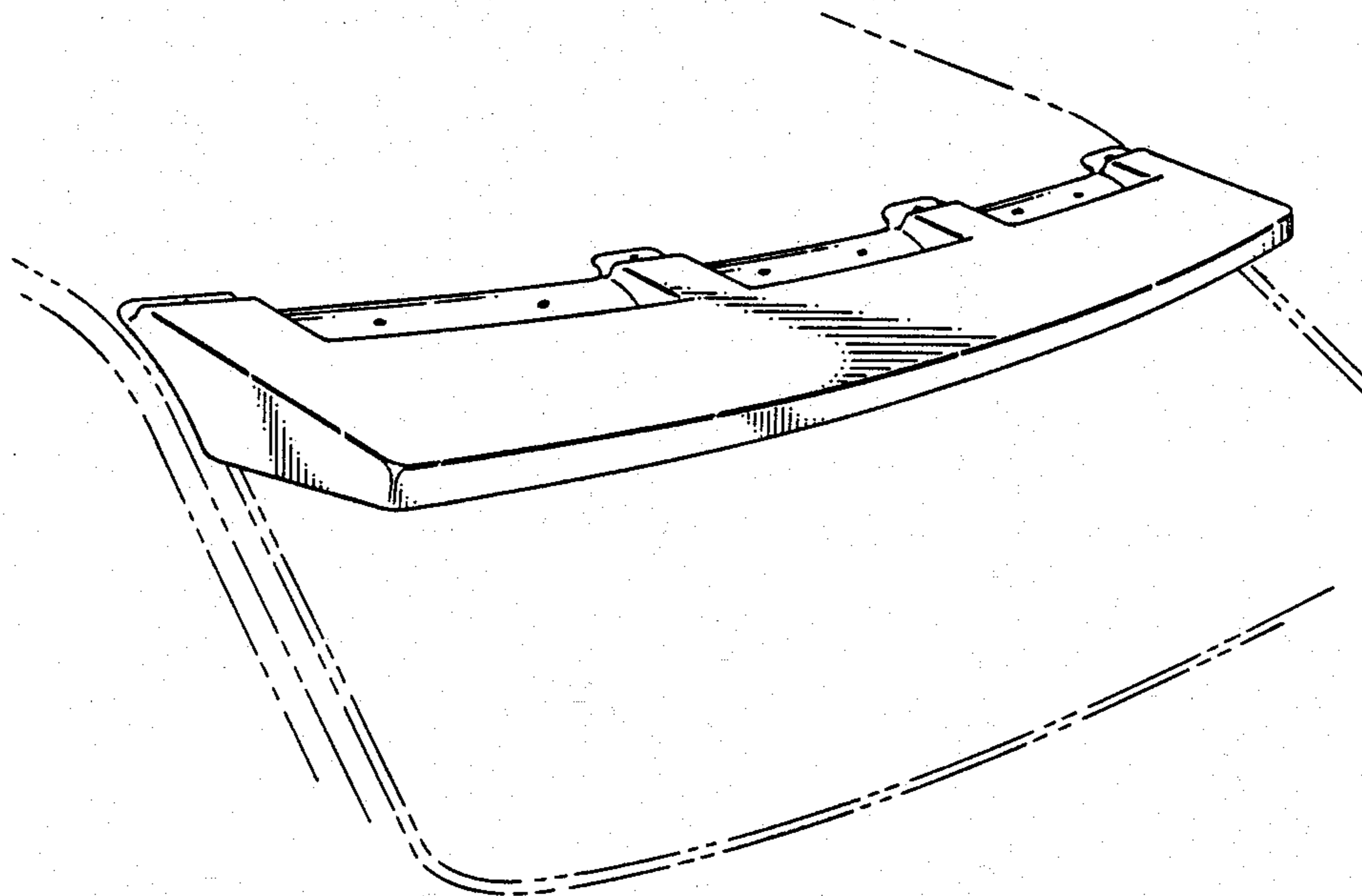


FIG. 1

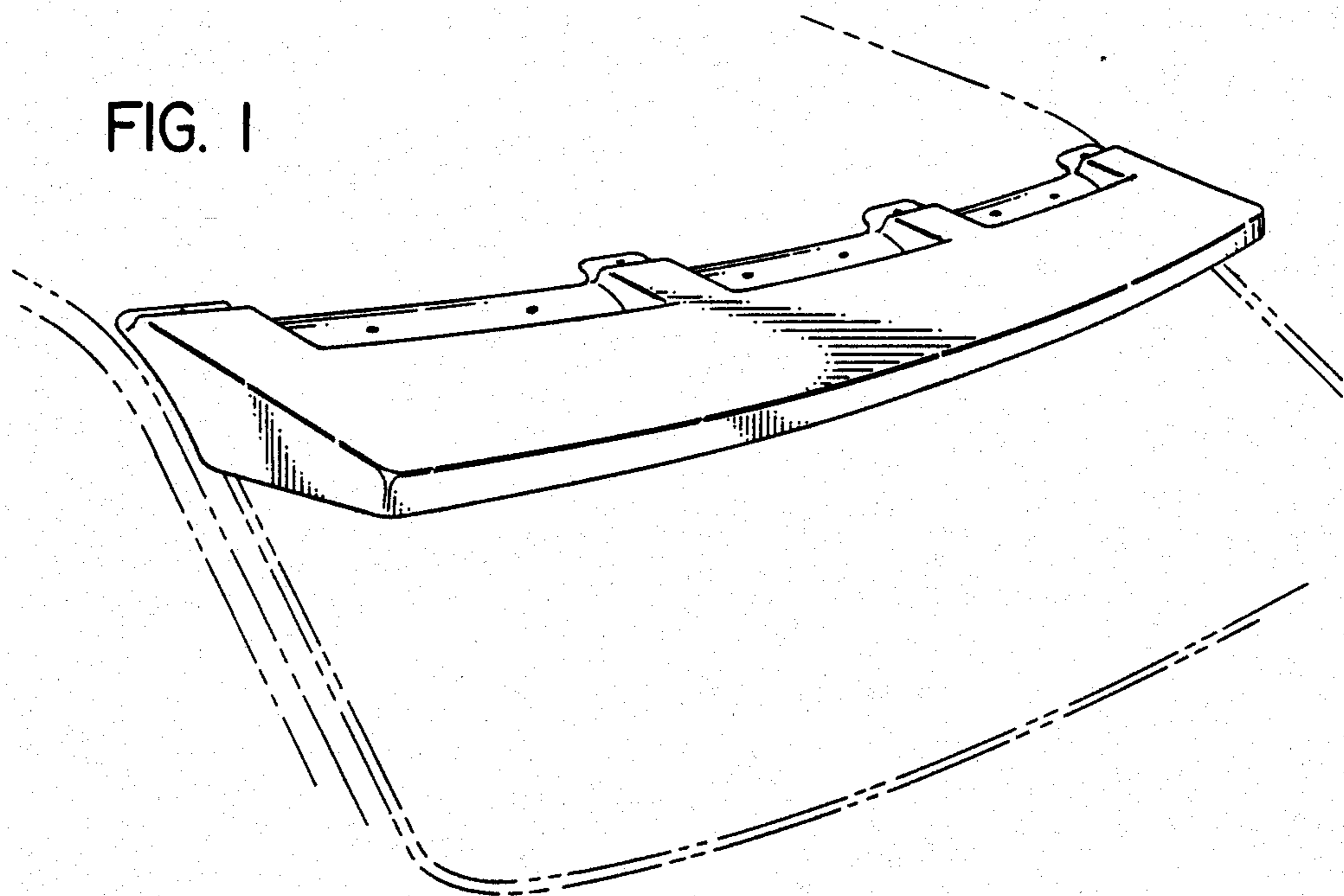


FIG. 2

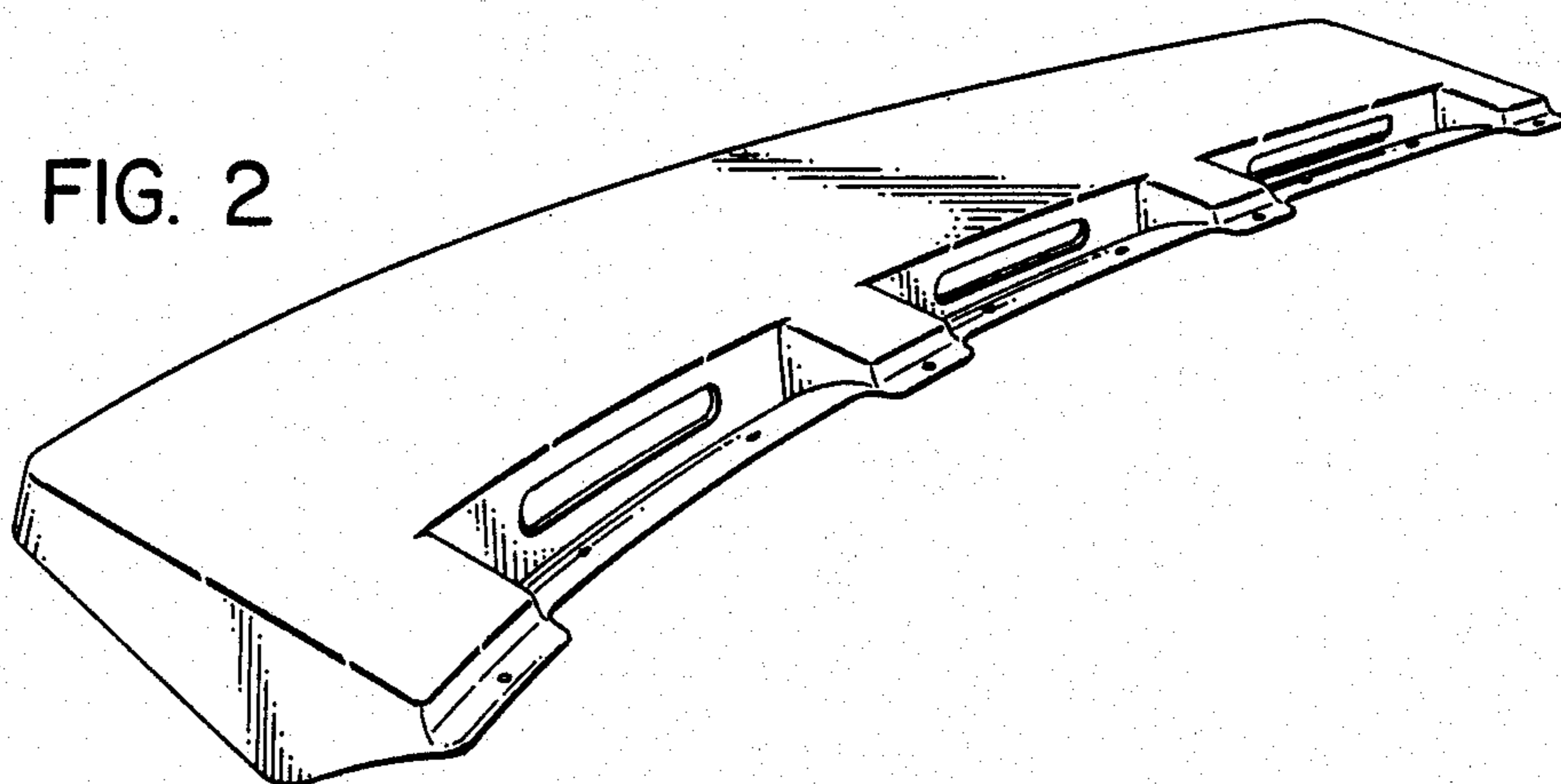


FIG. 3

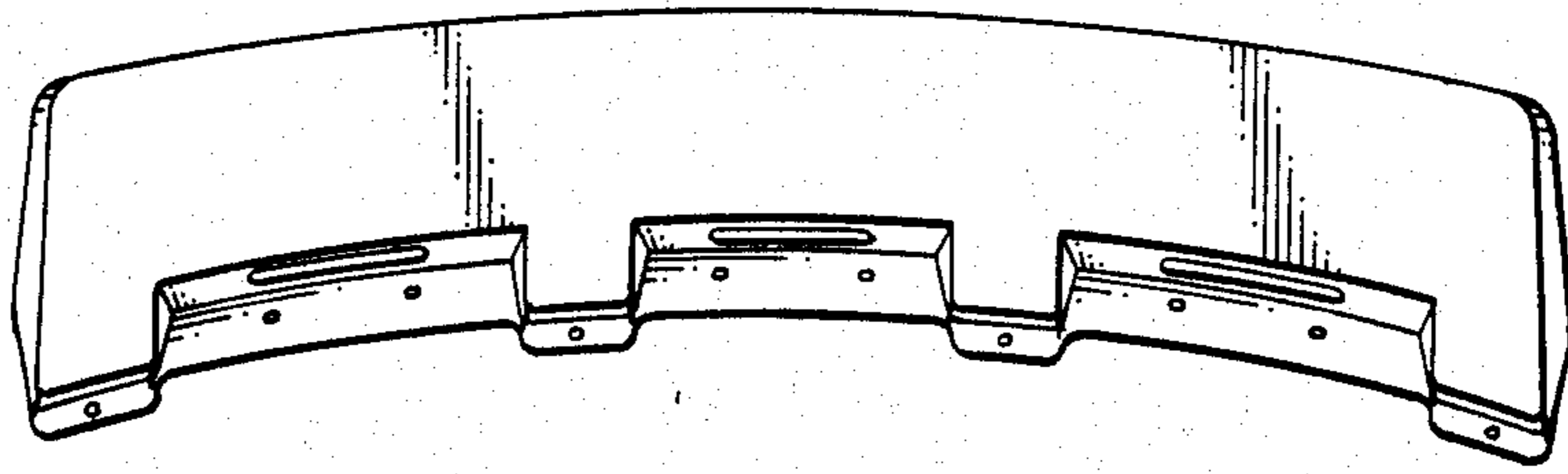


FIG. 4

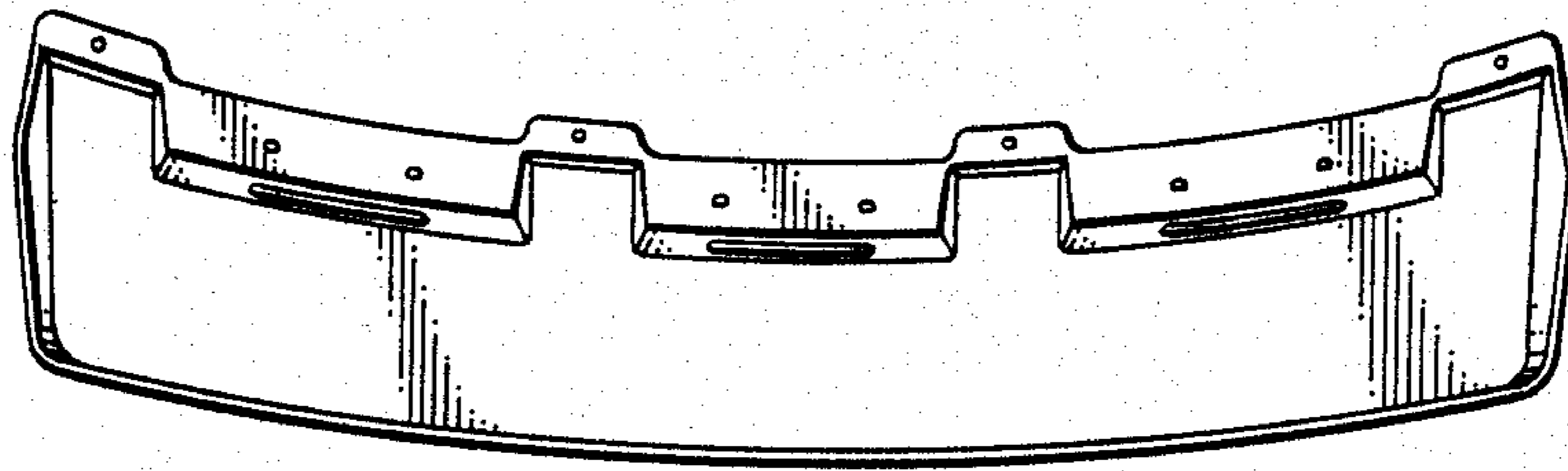


FIG. 5

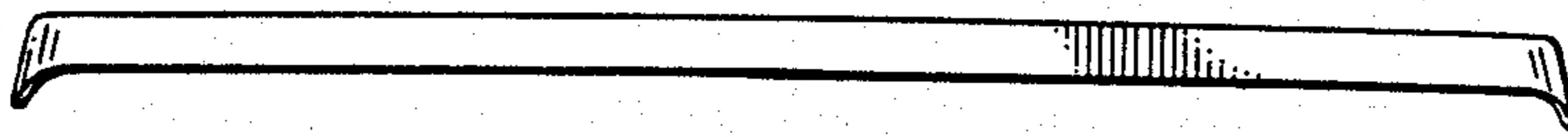


FIG. 6

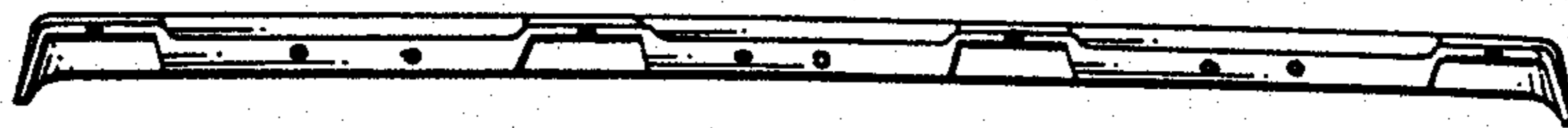


FIG. 7



FIG. 8

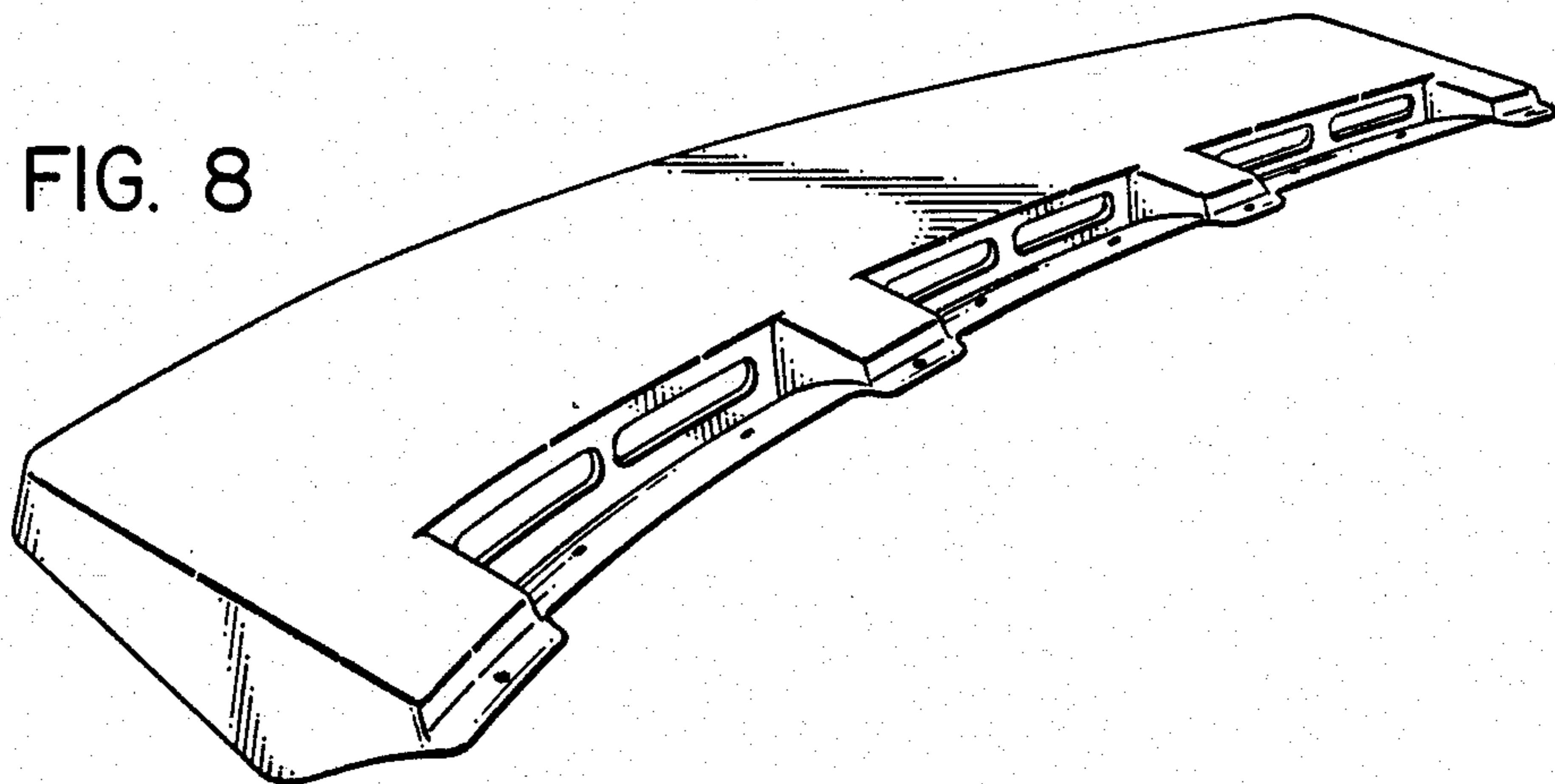


FIG. 9

