

[54] RAILWAY CROSSING INSERT

[76] Inventor: John K. Martin, 419 Oakside Circle
S.W., Calgary, Alberta, Canada,
T2B 4V3

[**] Term: 14 Years

[21] Appl. No.: 40,390

[22] Filed: Mar. 25, 1987

[52] U.S. Cl. D12/49; D25/136

[58] Field of Search D12/49, 50, 51;
238/379, 381, 382, 8; D25/136, 164

1,975,391 10/1934 Evenson 238/379

Primary Examiner—Wallace R. Burke
Assistant Examiner—Kay H. Chin
Attorney, Agent, or Firm—George H. Dunsmuir

[57] CLAIM

The ornamental design for a railway crossing insert, as shown and described.

DESCRIPTION

FIG. 1 is a perspective view of a railway crossing insert showing my new design, a portion thereof being broken away to indicate indeterminate length;

FIG. 2 is a top plan view thereof;

FIG. 3 is a bottom plan view thereof;

FIG. 4 is an end elevational view thereof;

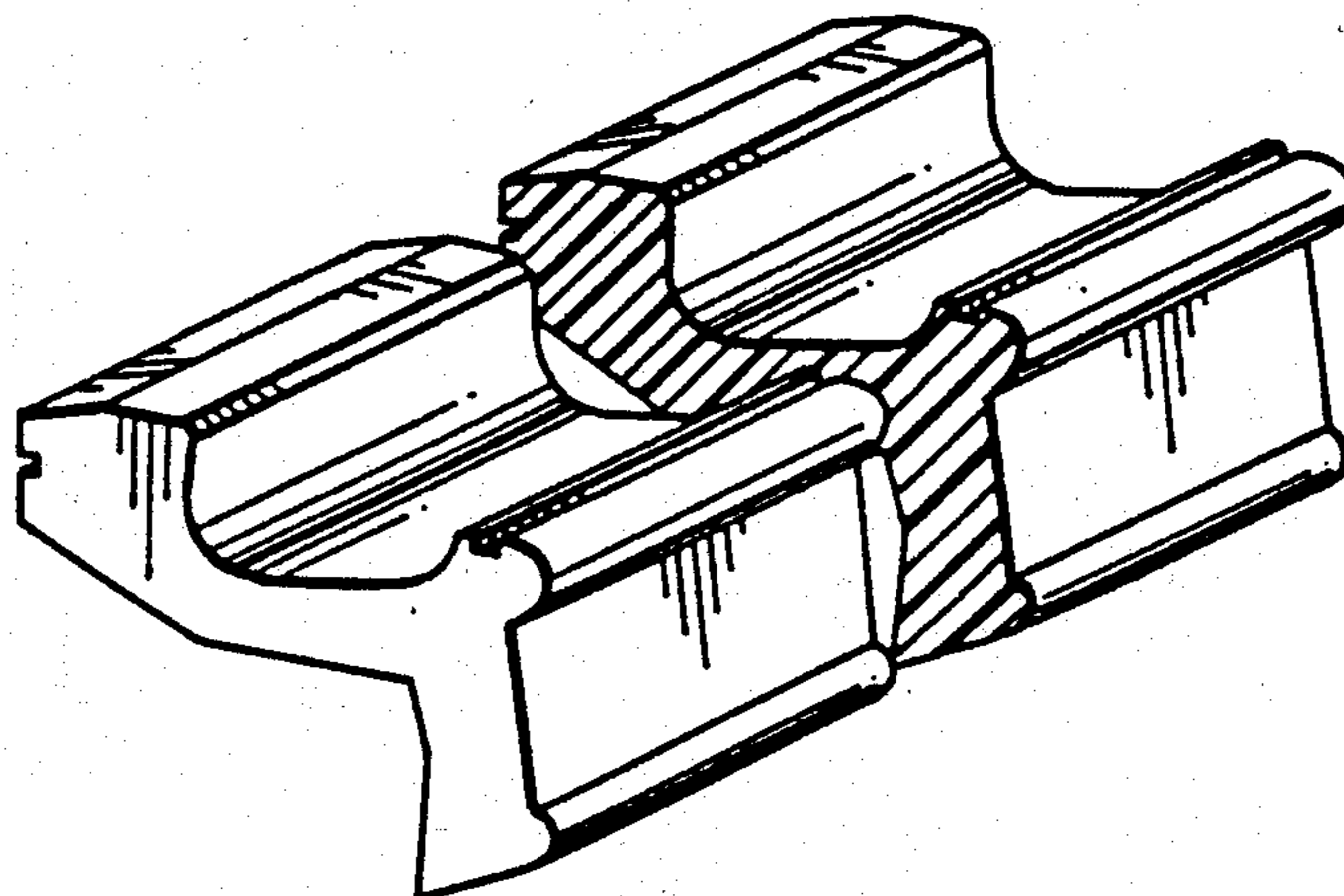
FIG. 5 is a front elevational view thereof; and

FIG. 6 is a rear elevational view thereof.

[56] References Cited

U.S. PATENT DOCUMENTS

D. 30,792	5/1899	Pratt	D12/49
D. 32,406	3/1900	Hazard	D12/50
1,866,759	7/1932	Duryea	238/379



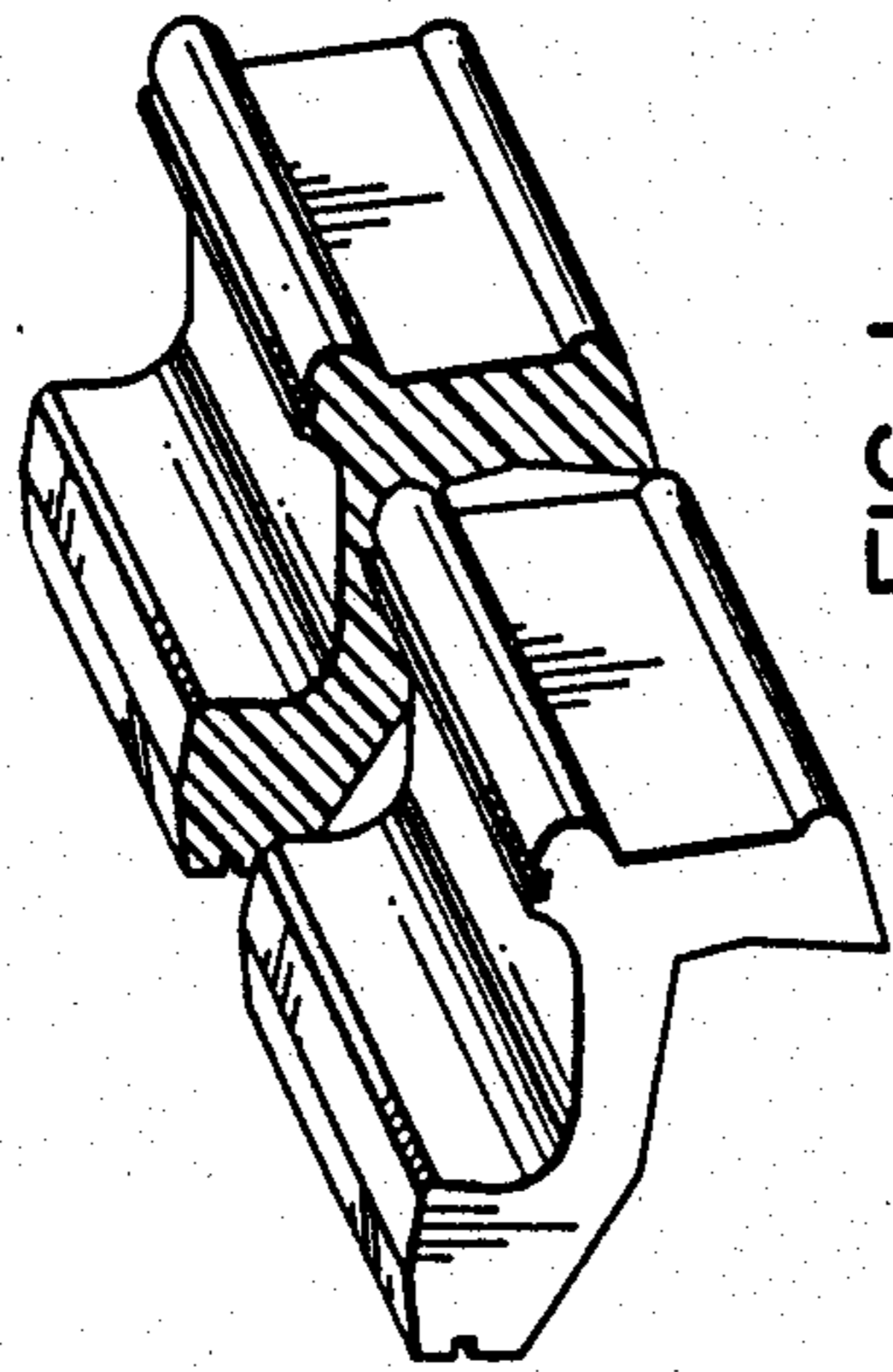


FIG. 1



FIG. 4

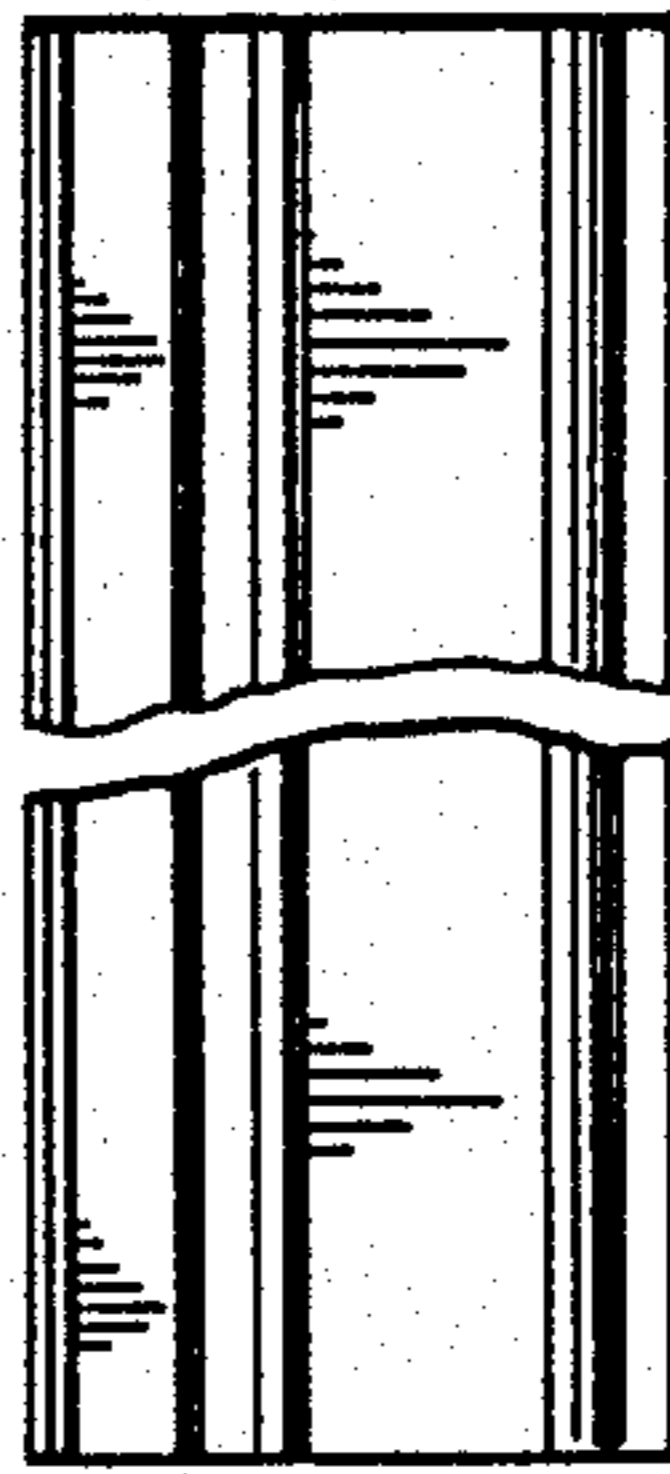


FIG. 5

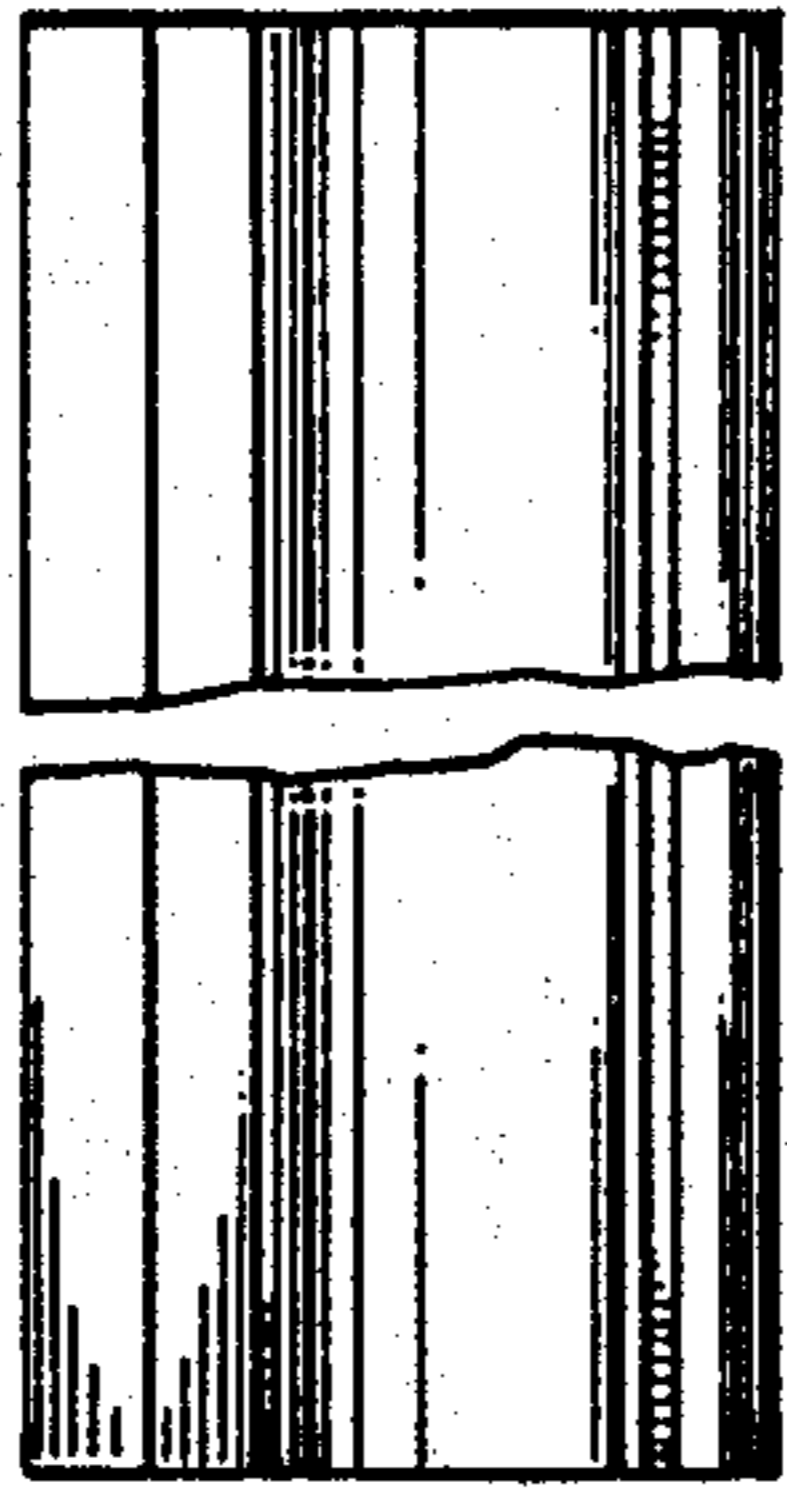


FIG. 2



FIG. 3

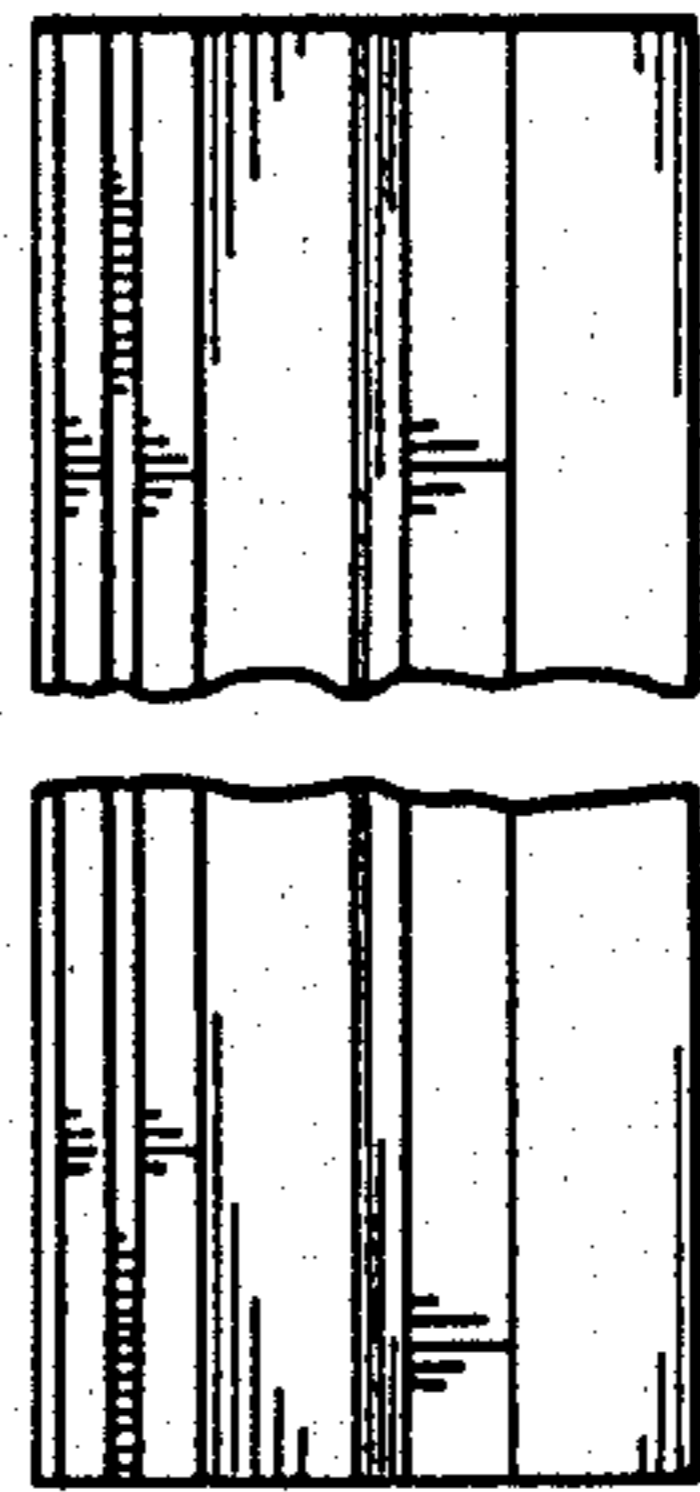


FIG. 6