

[54] **HAND HELD CAN OPENER**

[75] **Inventor: Paul Gildersleeve, Ridgefield, Conn.**

[73] **Assignee: Kidde Consumer Durables Corp., Bala Cynwyd, Pa.**

[**] **Term: 14 Years**

[21] **Appl. No.: 922,507**

[22] **Filed: Oct. 23, 1986**

[52] **U.S. Cl. D8/36**

[58] **Field of Search D8/36, 33; 30/400, 416-418, 30/422, 426, 433, 441**

[56] **References Cited**

U.S. PATENT DOCUMENTS

4,520,567 6/1985 Crawford D8/36 X

Primary Examiner—B. J. Bullock
Assistant Examiner—Terry Pfeffer
Attorney, Agent, or Firm—Seidel, Gonda, Lavorgna & Monaco

[57] **CLAIM**

The ornamental design for a hand held can opener, as shown and described.

DESCRIPTION

FIG. 1 is a perspective view of a hand held can opener showing my new design;
FIG. 2 is front elevational view thereof;
FIG. 3 is top plan view thereof;
FIG. 4 is a left side elevational view thereof;
FIG. 5 is a right side elevational view thereof;
FIG. 6 is a rear elevational view thereof; and
FIG. 7 is a bottom plan view thereof.

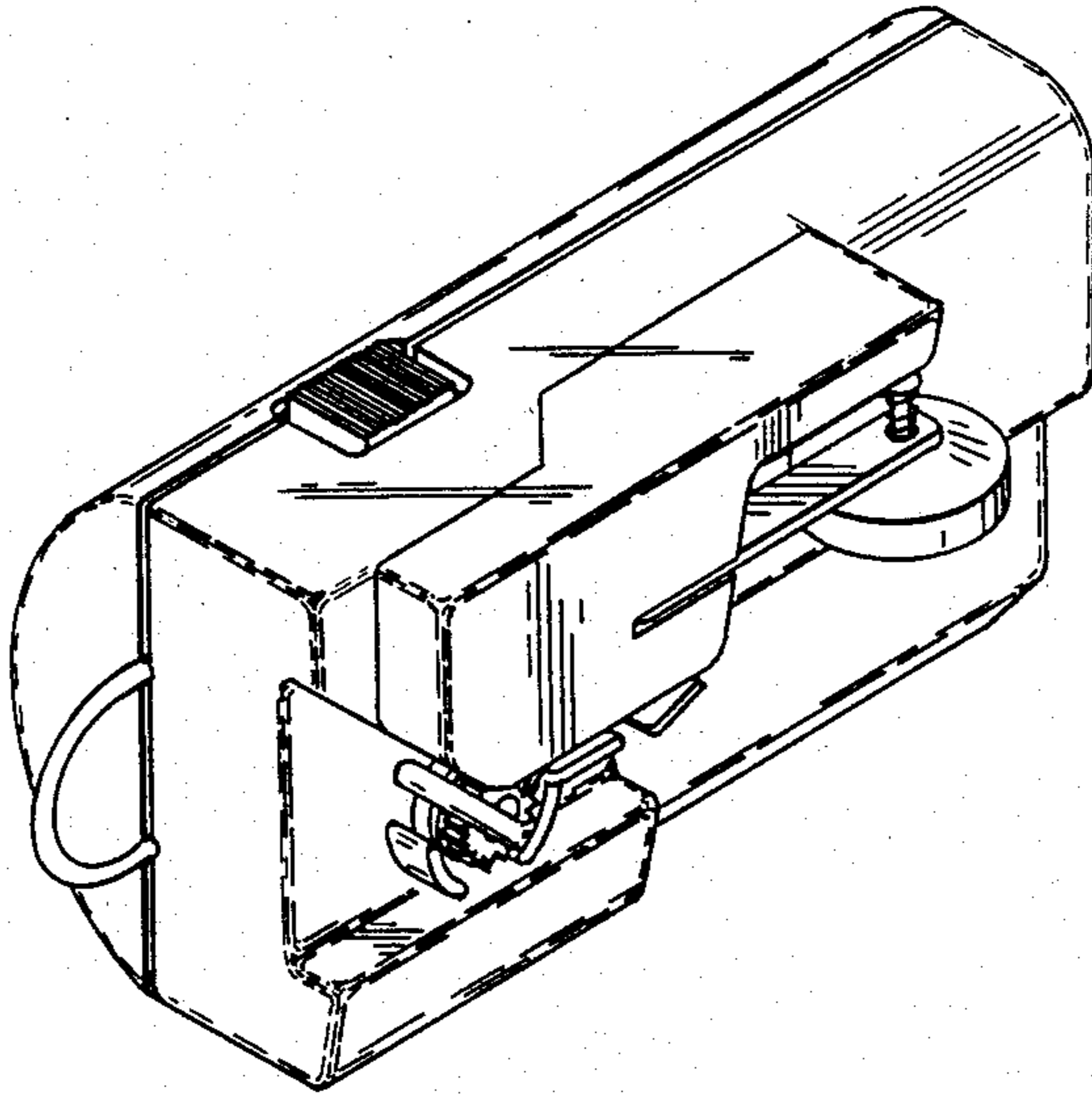


FIG. 1

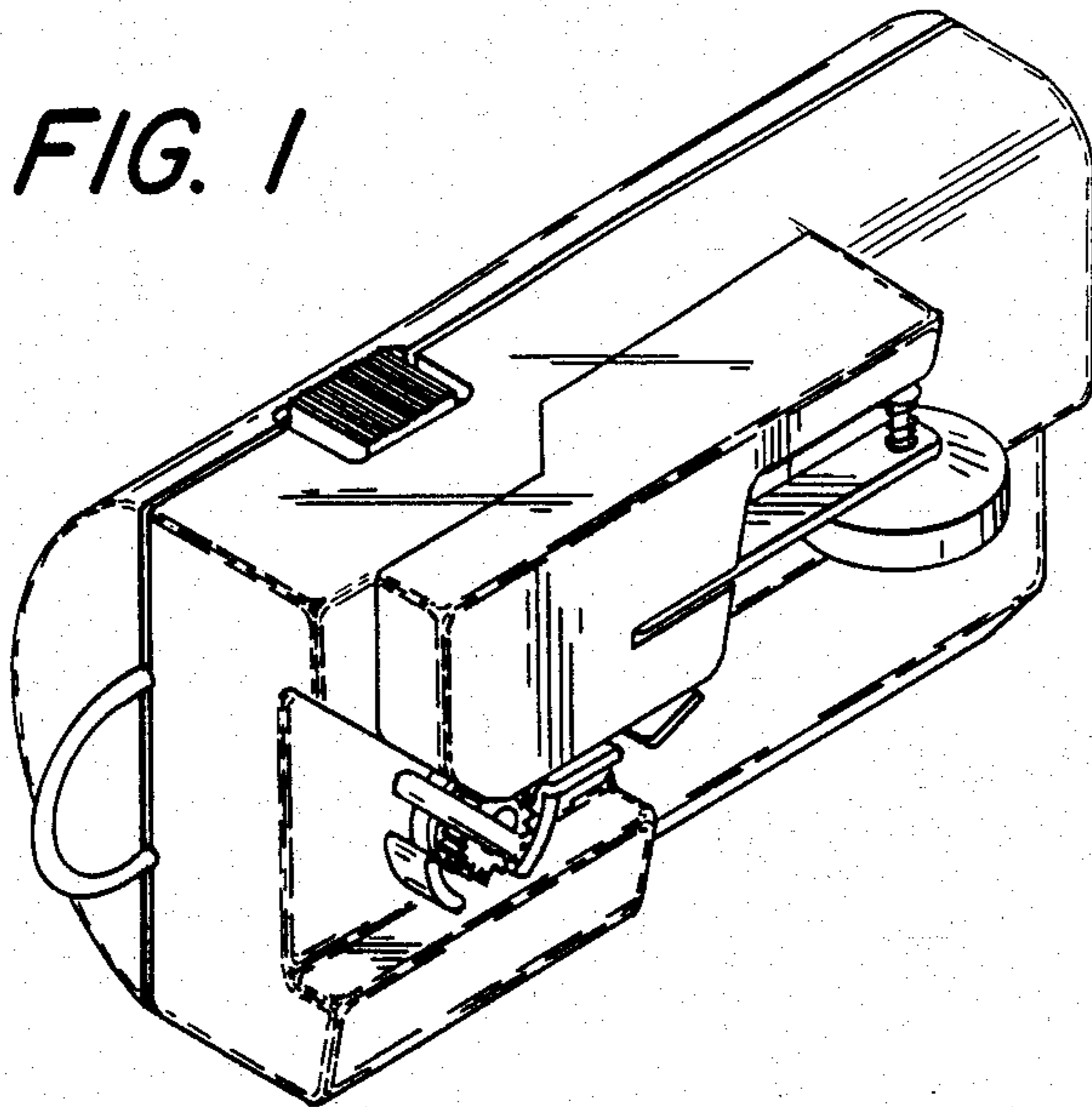


FIG. 2

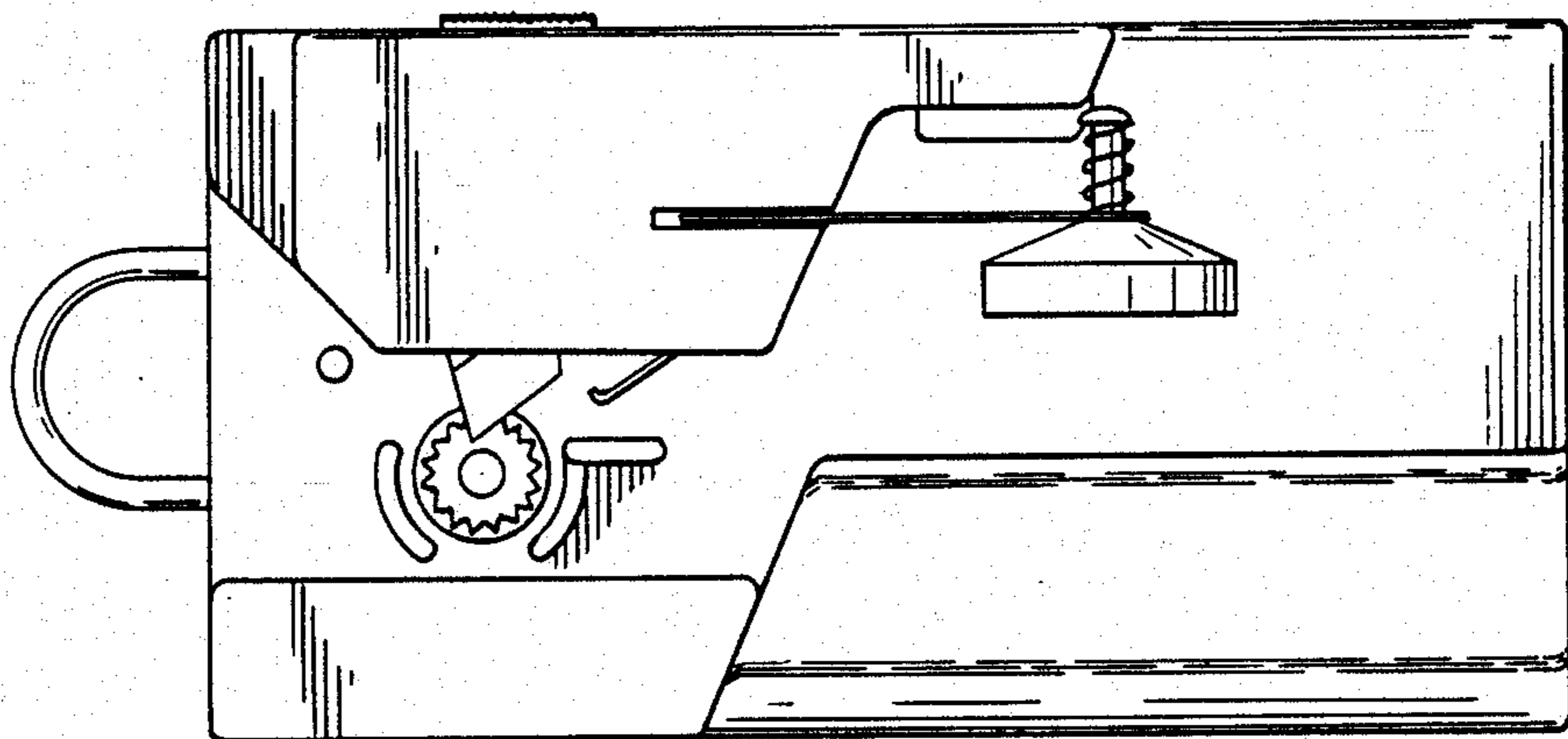


FIG. 3

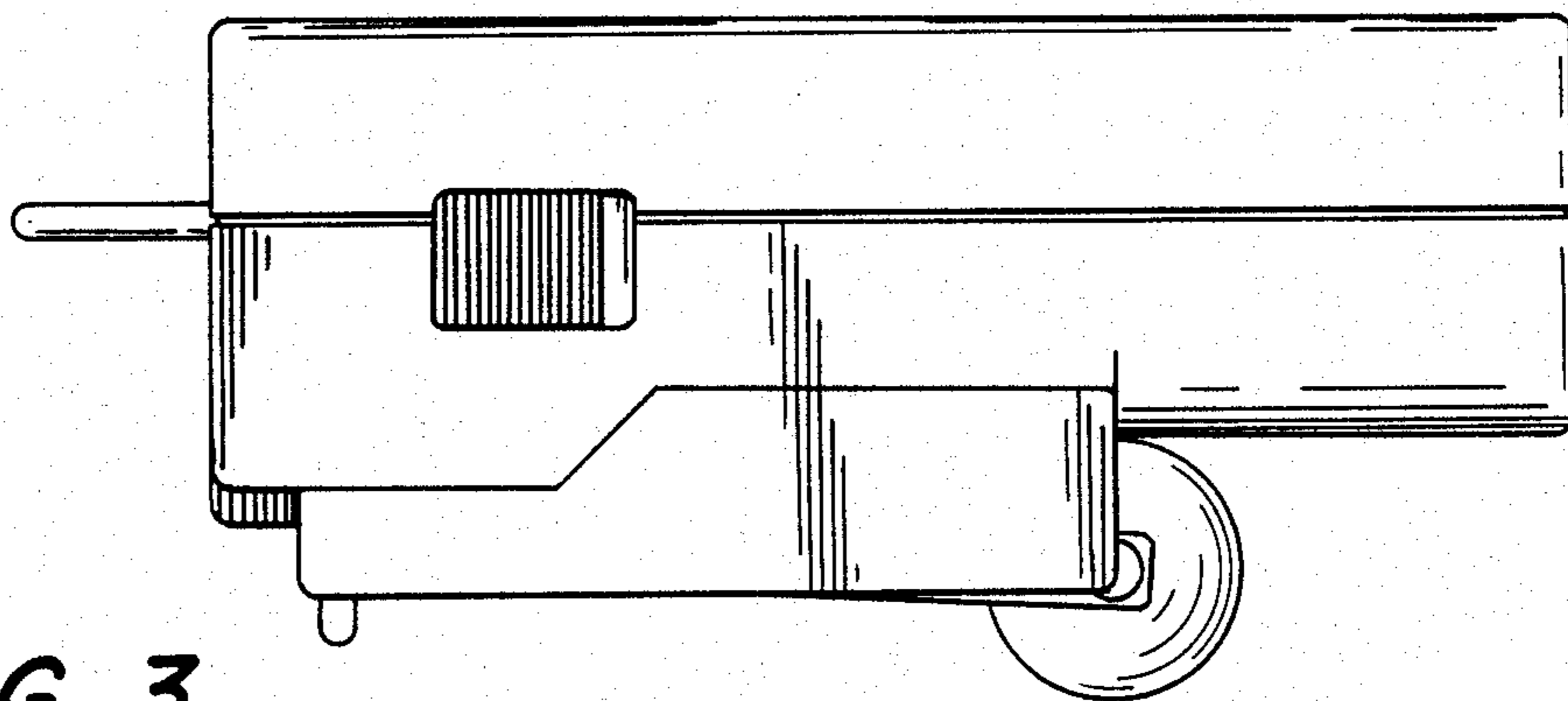


FIG. 4

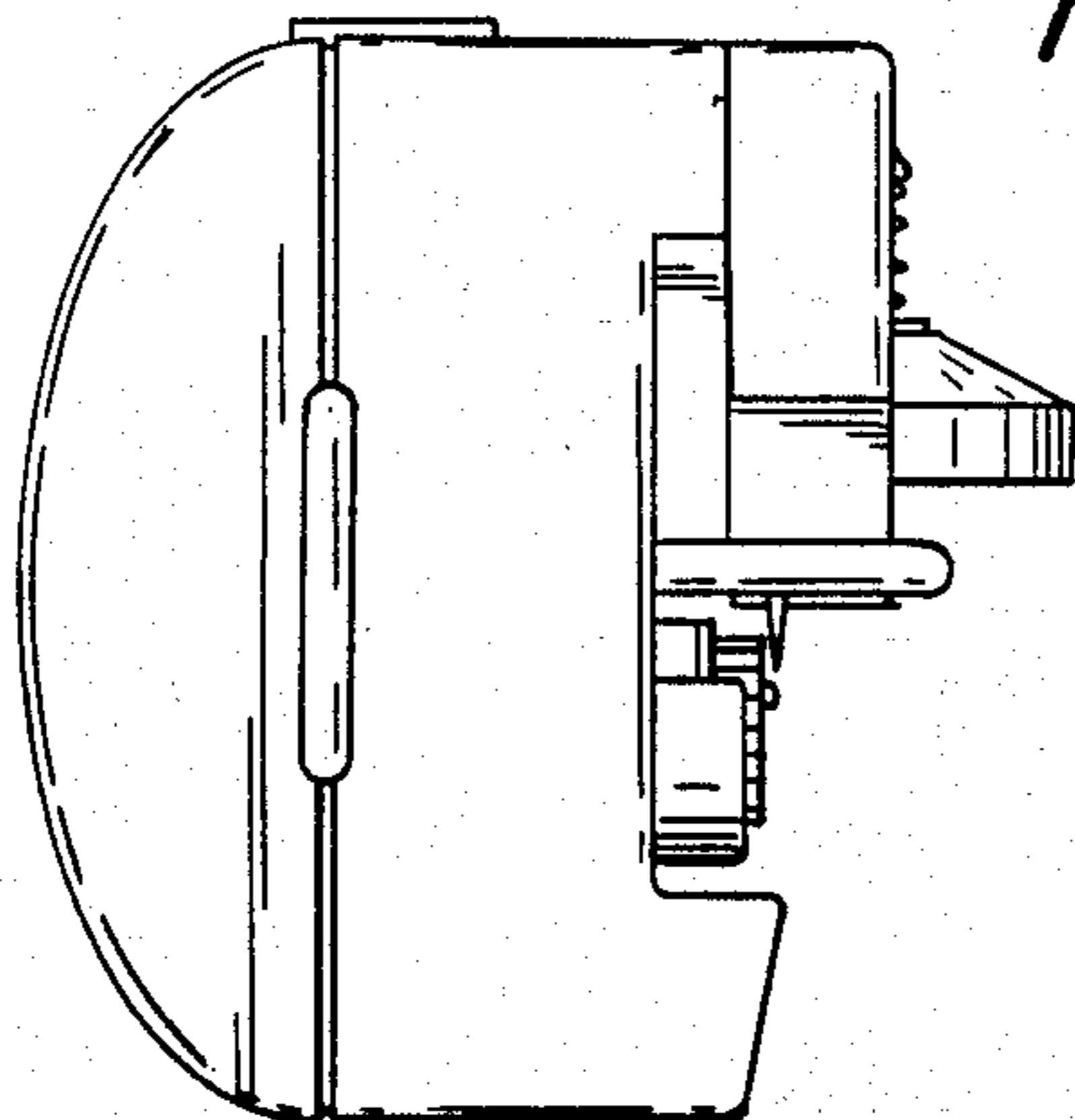


FIG. 5

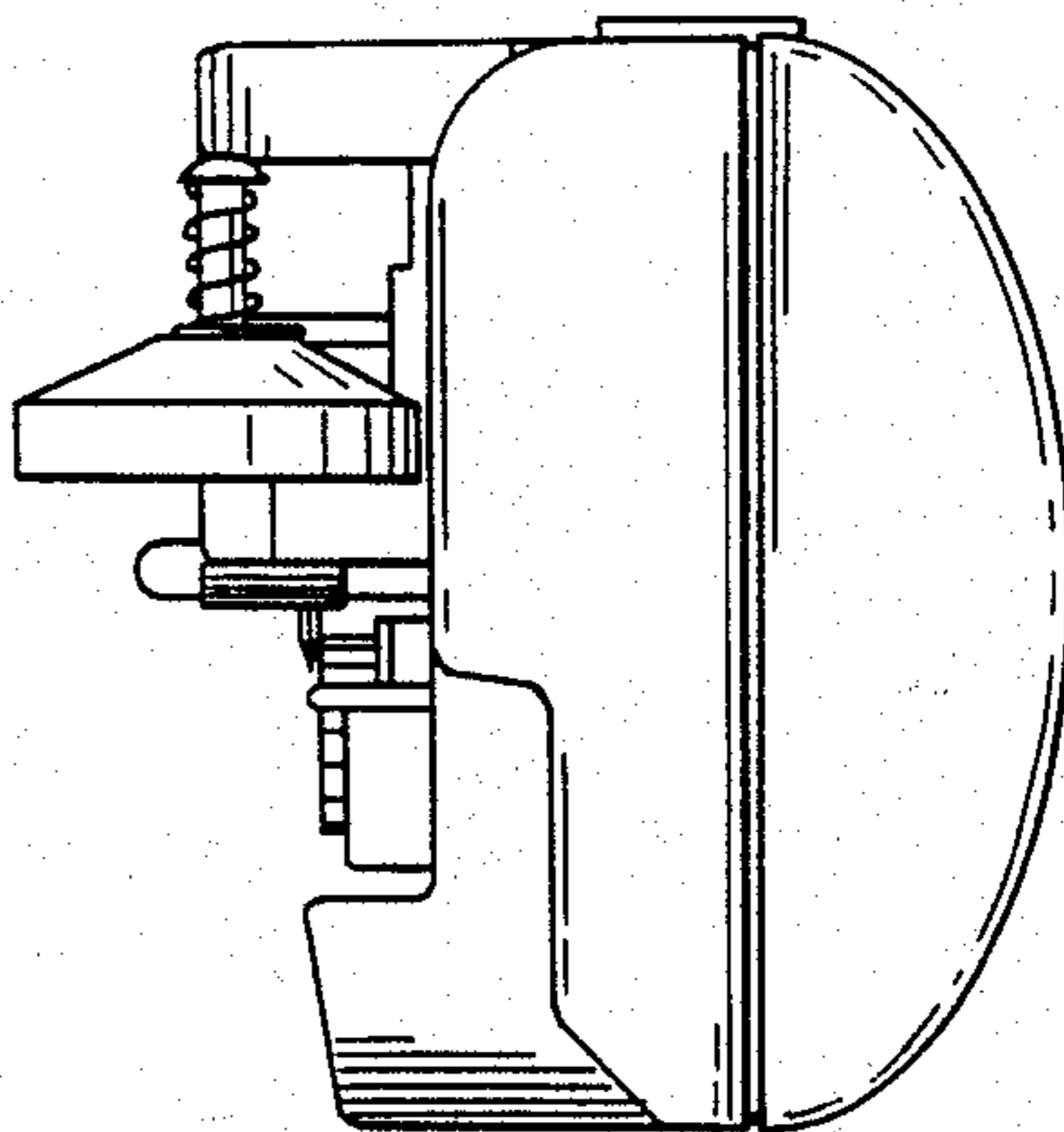


FIG. 6

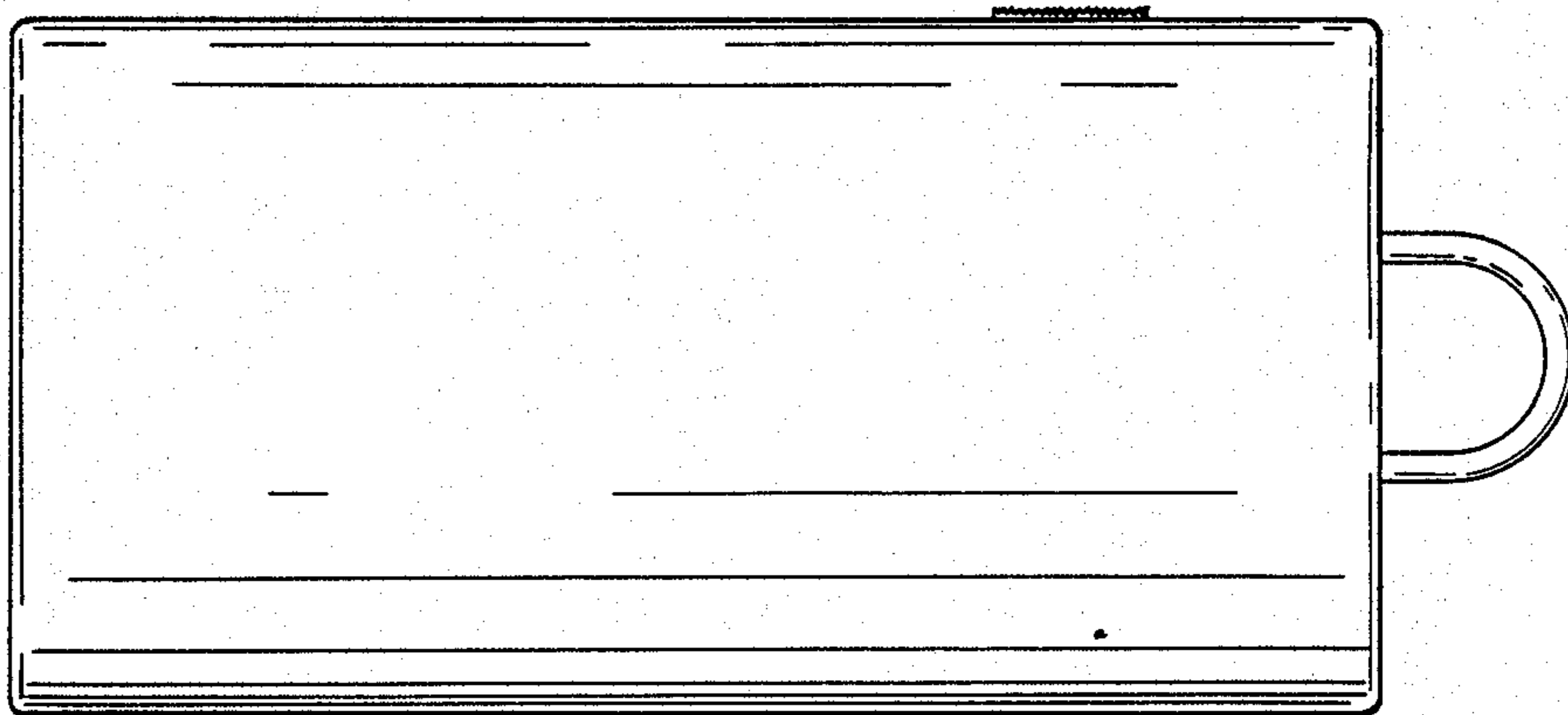


FIG. 7

