

[54] MICROWAVE OVEN

[75] Inventors: Hideo Nishikawa; Kenzo Okamoto; Fumihiko Kitada, all of Osaka, Japan

[73] Assignee: Imanishi Kinzoku Kogyo Kabushiki Kaisha, Osaka, Japan

[*] Notice: The portion of the term of this patent subsequent to Jun. 6, 2003 has been disclaimed.

[**] Term: 14 Years

[21] Appl. No.: 873,209

[22] Filed: Jun. 10, 1986

[30] Foreign Application Priority Data

Feb. 27, 1986 [JP] Japan 61-6613

[52] U.S. Cl. D7/351

[58] Field of Search D7/348-351; 219/10.55 R-10.55 M; D8/307, 314, 316

[56] References Cited

U.S. PATENT DOCUMENTS

D. 261,599 11/1981 Takahashi et al. D7/351

D. 277,542	2/1985	Nanbu et al.	D7/351
D. 285,893	9/1986	Miuzuma et al.	D7/351
D. 290,675	7/1987	Choi	D7/351
D. 294,216	2/1988	Choi	D7/351
D. 297,392	8/1988	Han	D7/351

OTHER PUBLICATIONS

Best 1982/1983 Catalog, p. 194, "Microwave #3".
Montgomery Ward, Spr.-Summer 1980, p. 891 (Item 68 8020R), Microwave Oven.

Primary Examiner—Bruce W. Dunkins

Assistant Examiner—Ruth Takemoto

[57] CLAIM

The ornamental design for a microwave oven, as shown and described.

DESCRIPTION

FIG. 1 is a top, front and right side perspective view of a microwave oven showing our new design;
FIG. 2 is a front elevational view thereof;
FIG. 3 is a rear elevational view thereof;
FIG. 4 is a top plan view thereof;
FIG. 5 is a bottom view thereof;
FIG. 6 is a right side elevational view thereof;
FIG. 7 is a left side elevational view thereof.

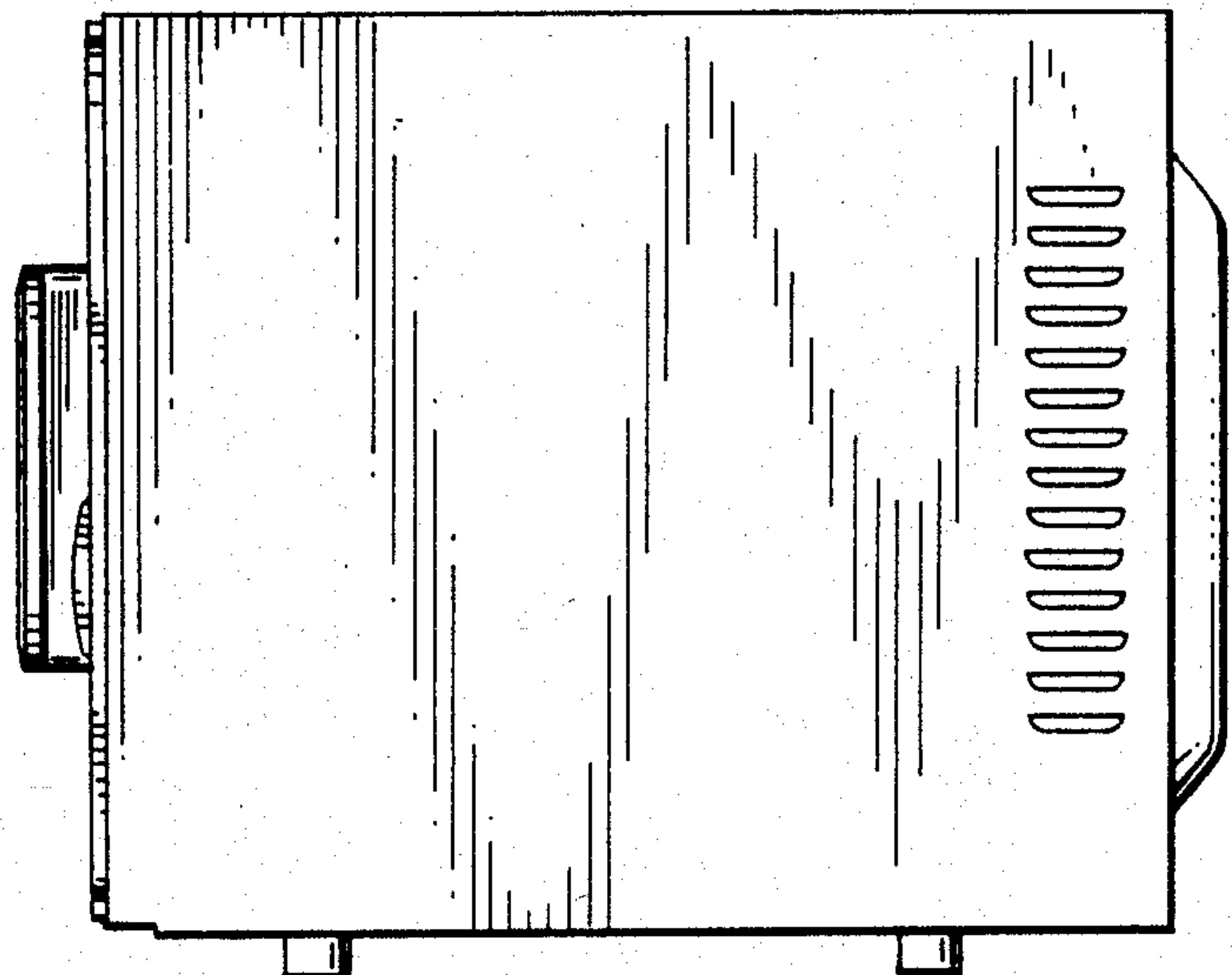
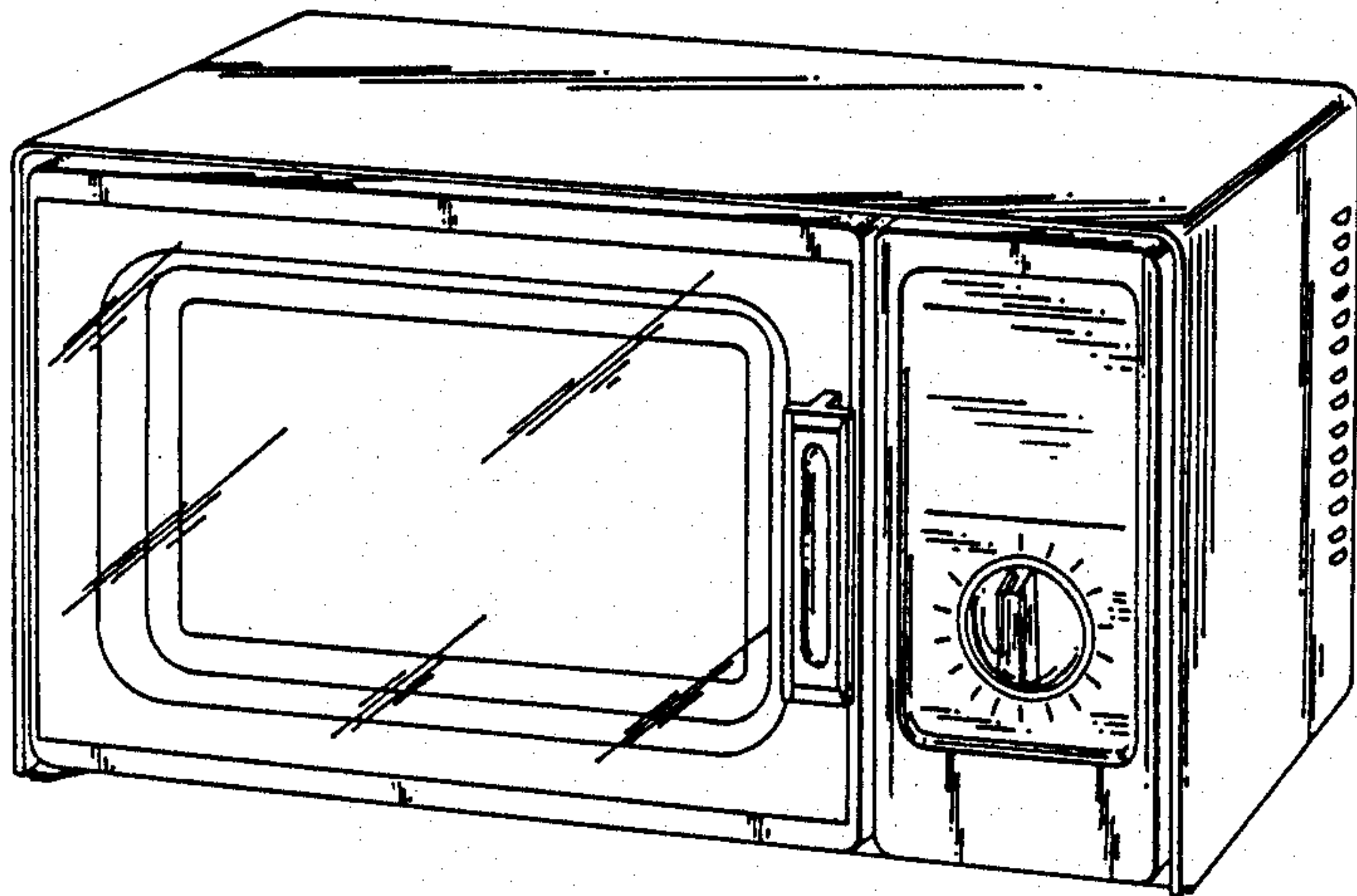


FIG. 1

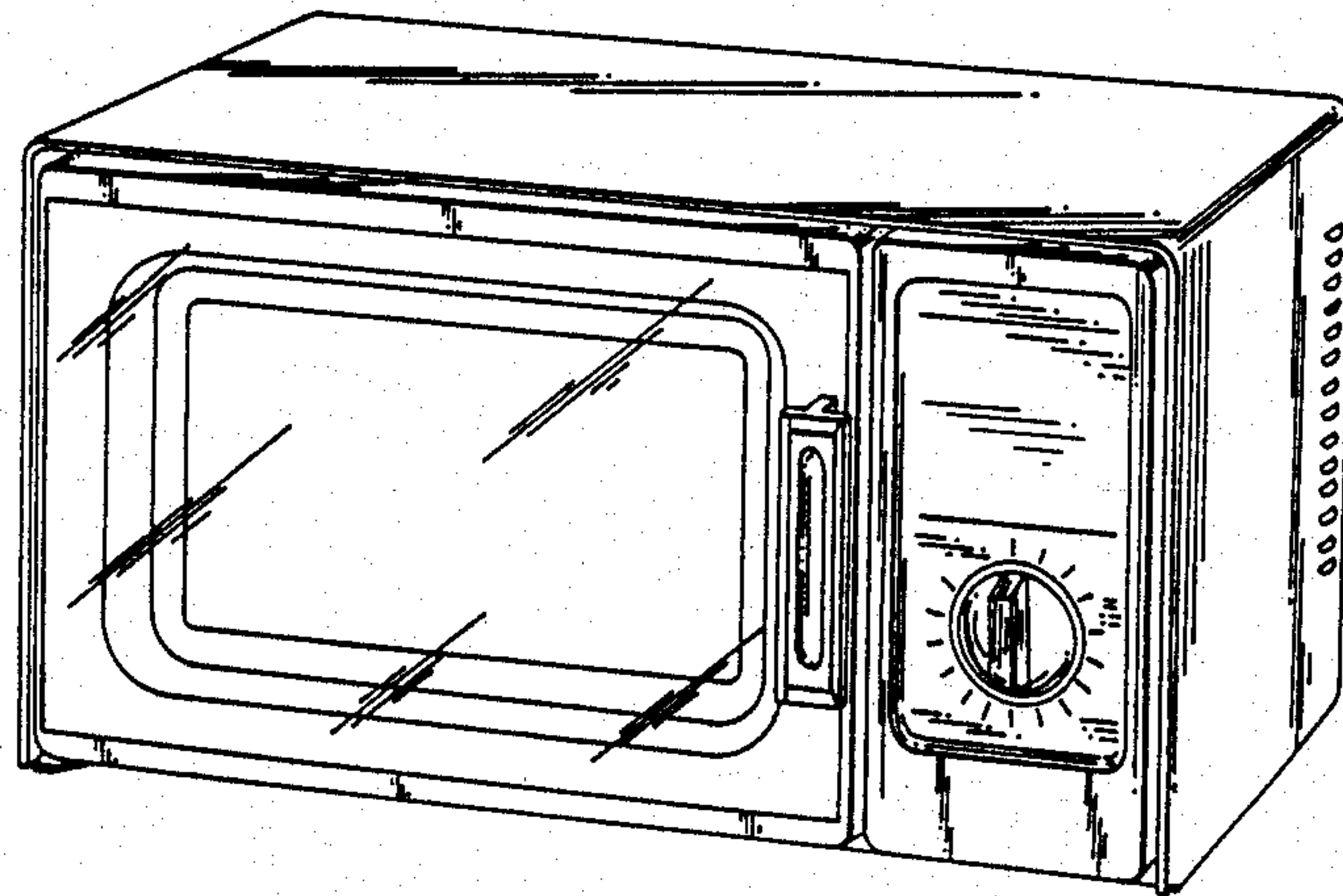


FIG. 2

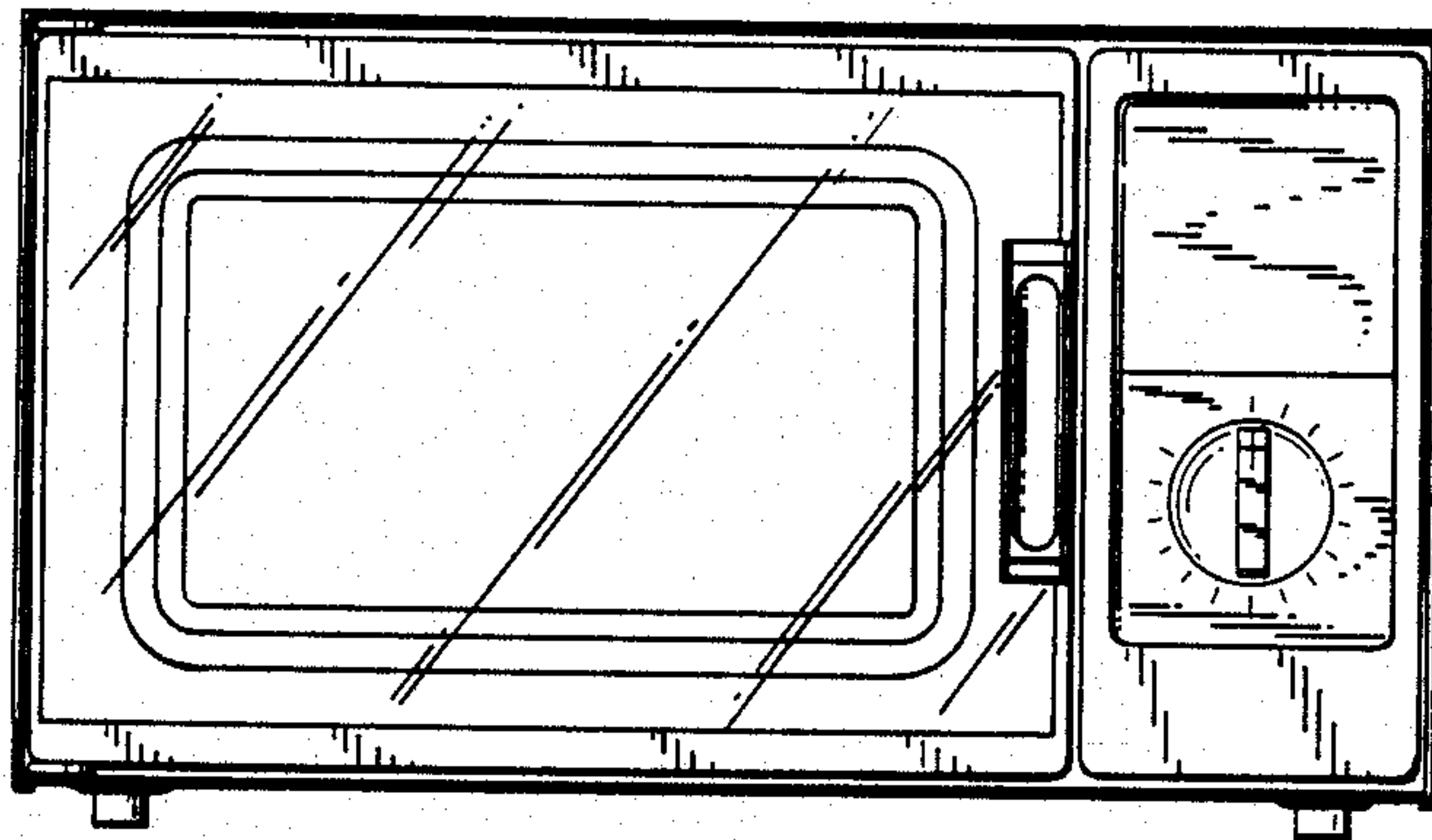


FIG. 3

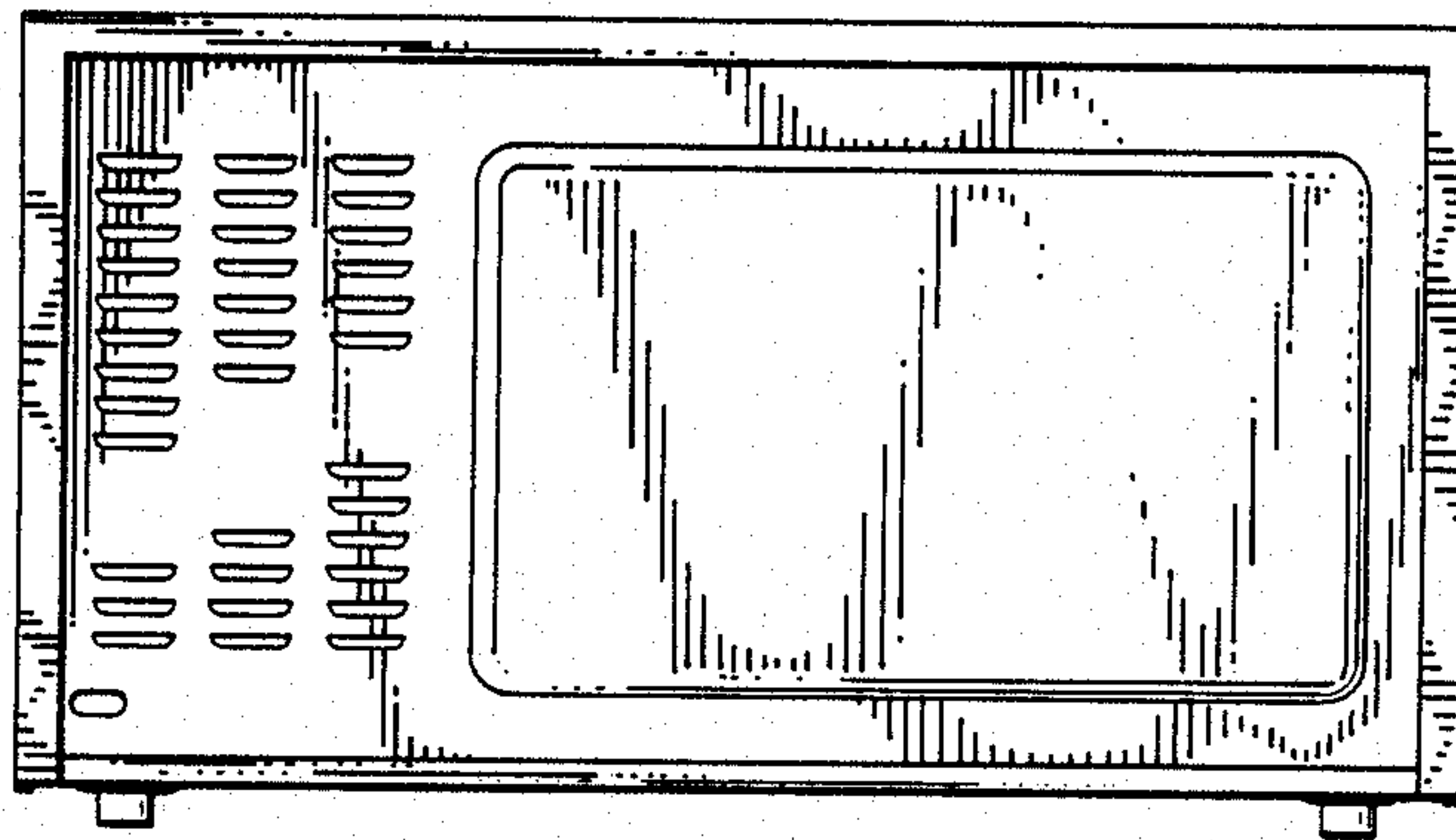


FIG. 4

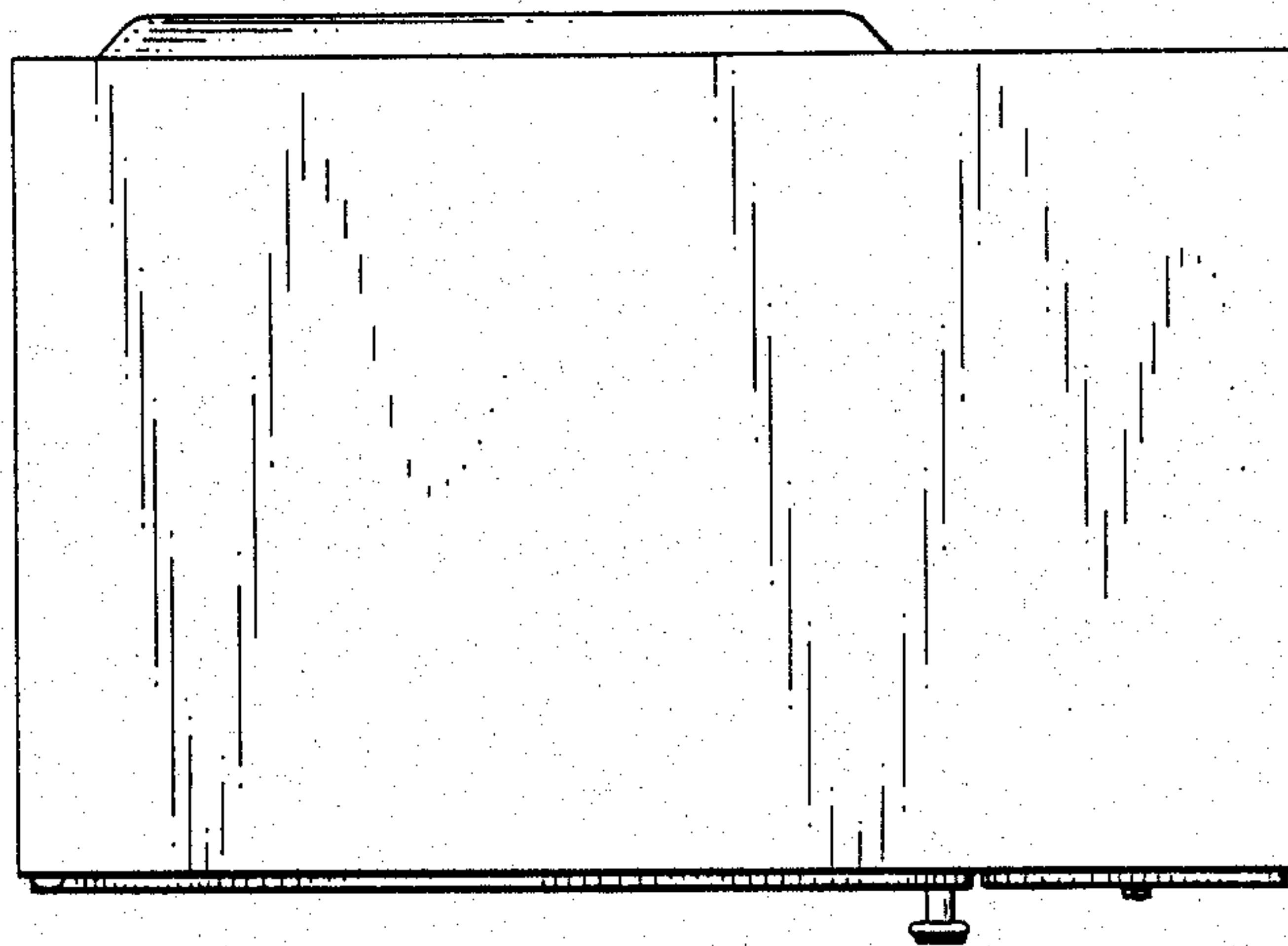


FIG. 5

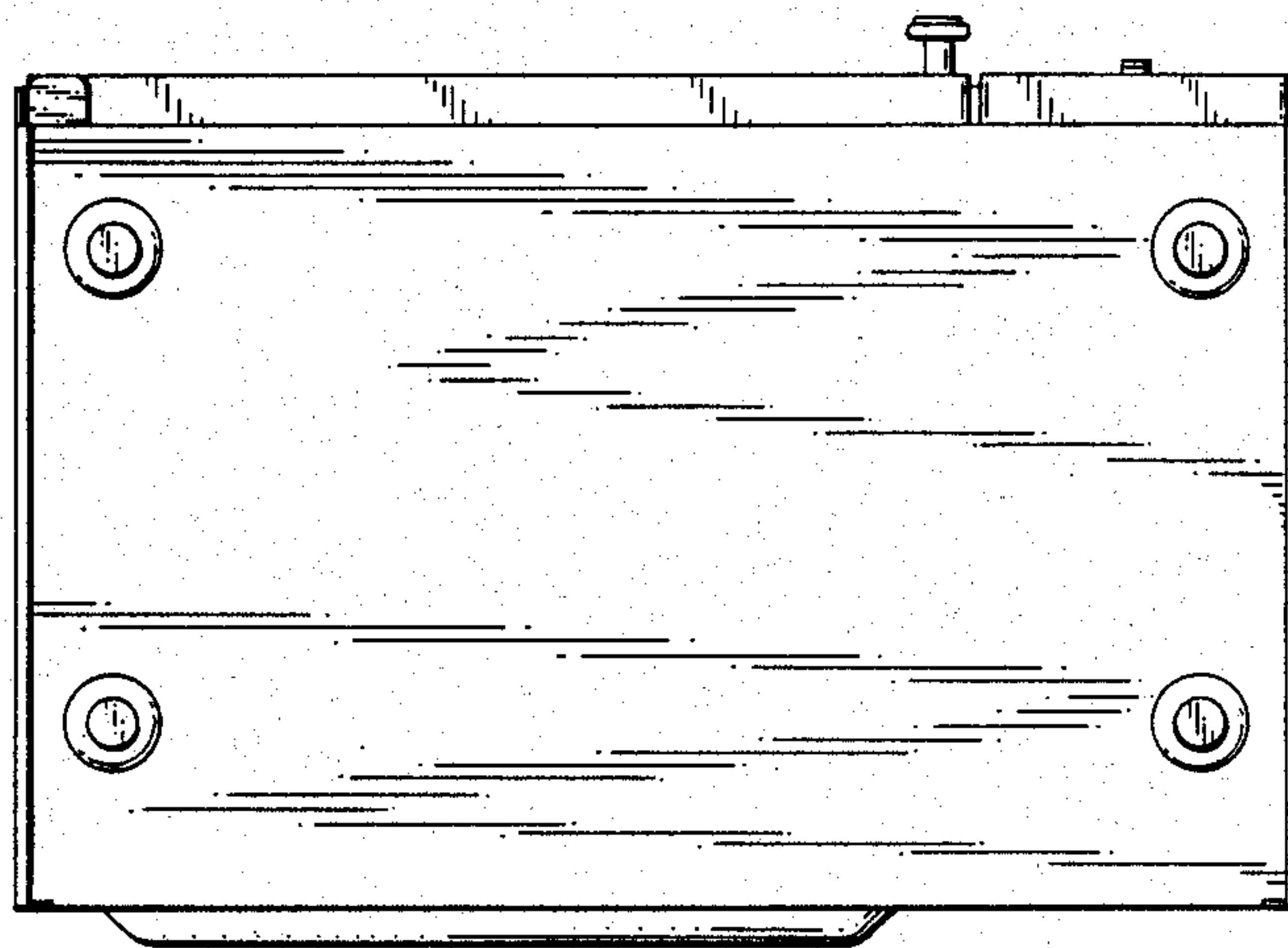


FIG. 6

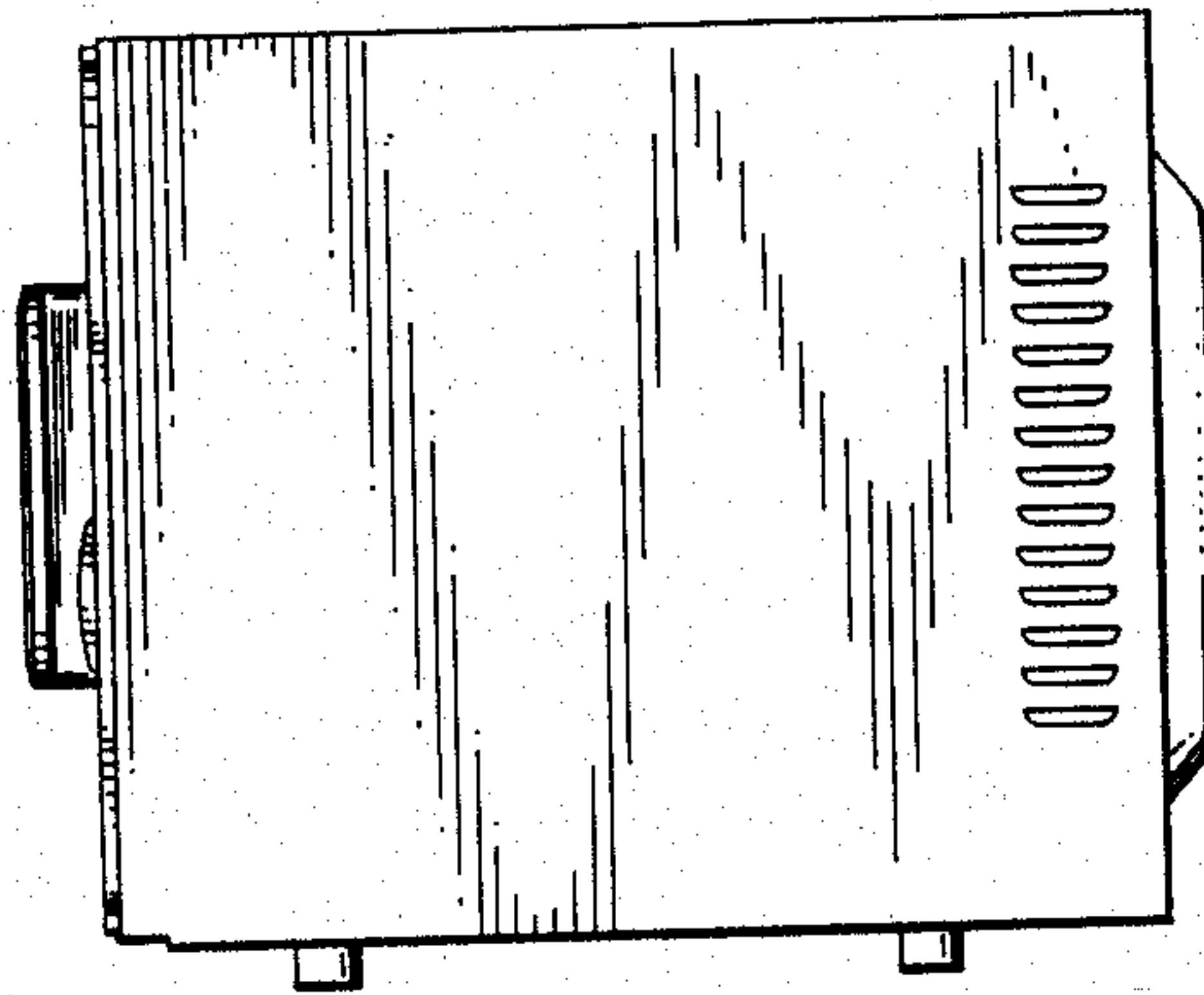


FIG. 7

