

[54] **NUT BOWL**
[76] **Inventor: Scott Klingelhofer, 524 N. 8th St., Wahpeton, N. Dak. 58075**
[**] **Term: 14 Years**
[21] **Appl. No.: 898,086**
[22] **Filed: Aug. 20, 1986**
[52] **U.S. Cl. D7/98**
[58] **Field of Search D7/98, 23, 1; 220/22, 220/93, 20**

2,693,686 11/1954 Pierce D7/98

Primary Examiner—Bernard Ansher
Assistant Examiner—Terry A. Pfeffer
Attorney, Agent, or Firm—Terry M. Gernstein

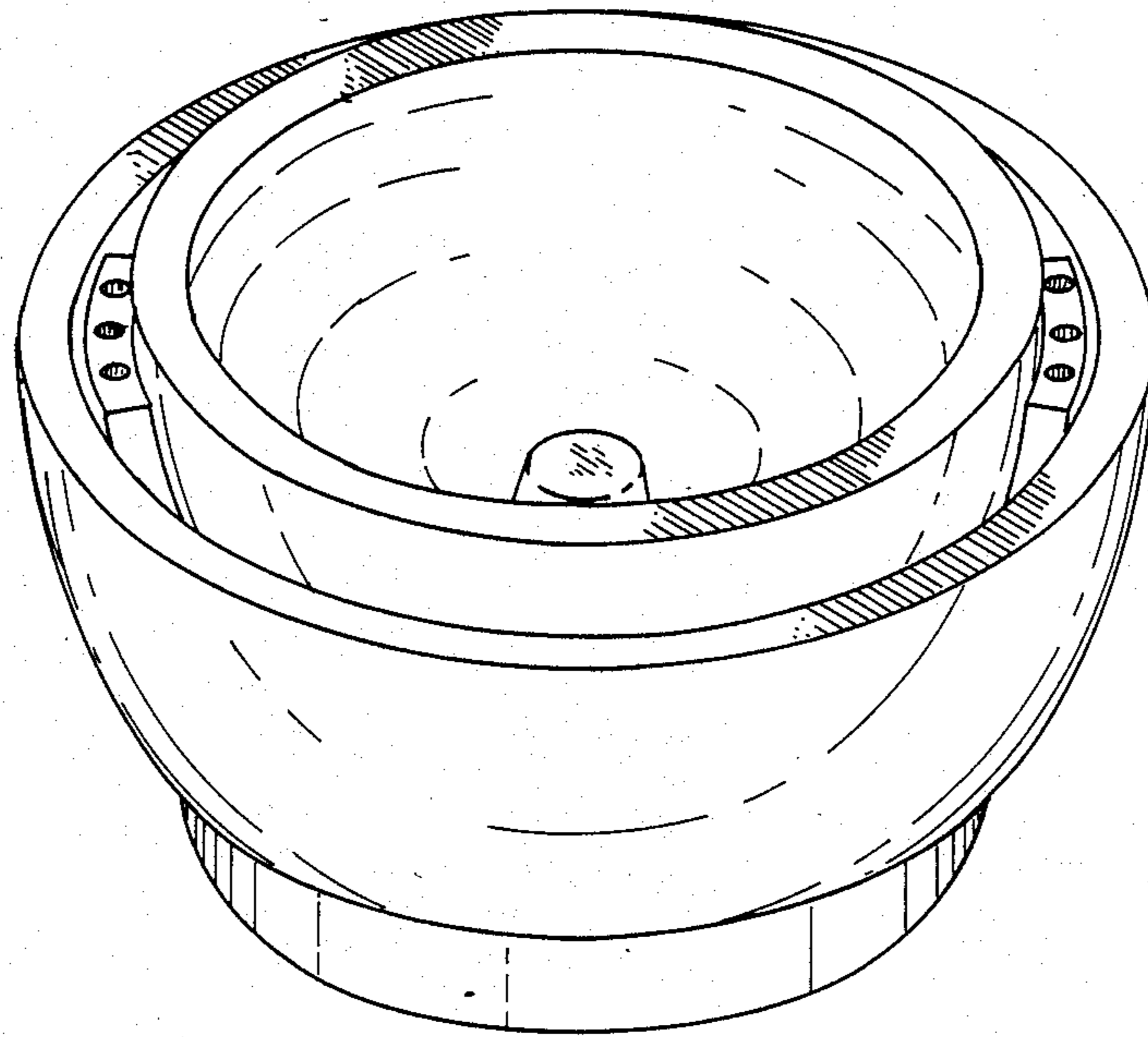
[57] **CLAIM**

The ornamental design for nut bowl, as shown and described.

DESCRIPTION

FIG. 1 is an isometric view of a nut bowl showing my new design;
FIG. 2 is a right side elevational view thereof;
FIG. 3 is a top plan thereof; and
FIG. 4 is a cross-sectional view taken along line 4—4 of FIG. 3.

[56] **References Cited**
U.S. PATENT DOCUMENTS
D. 122,576 9/1940 Steinhilber 220/20 X



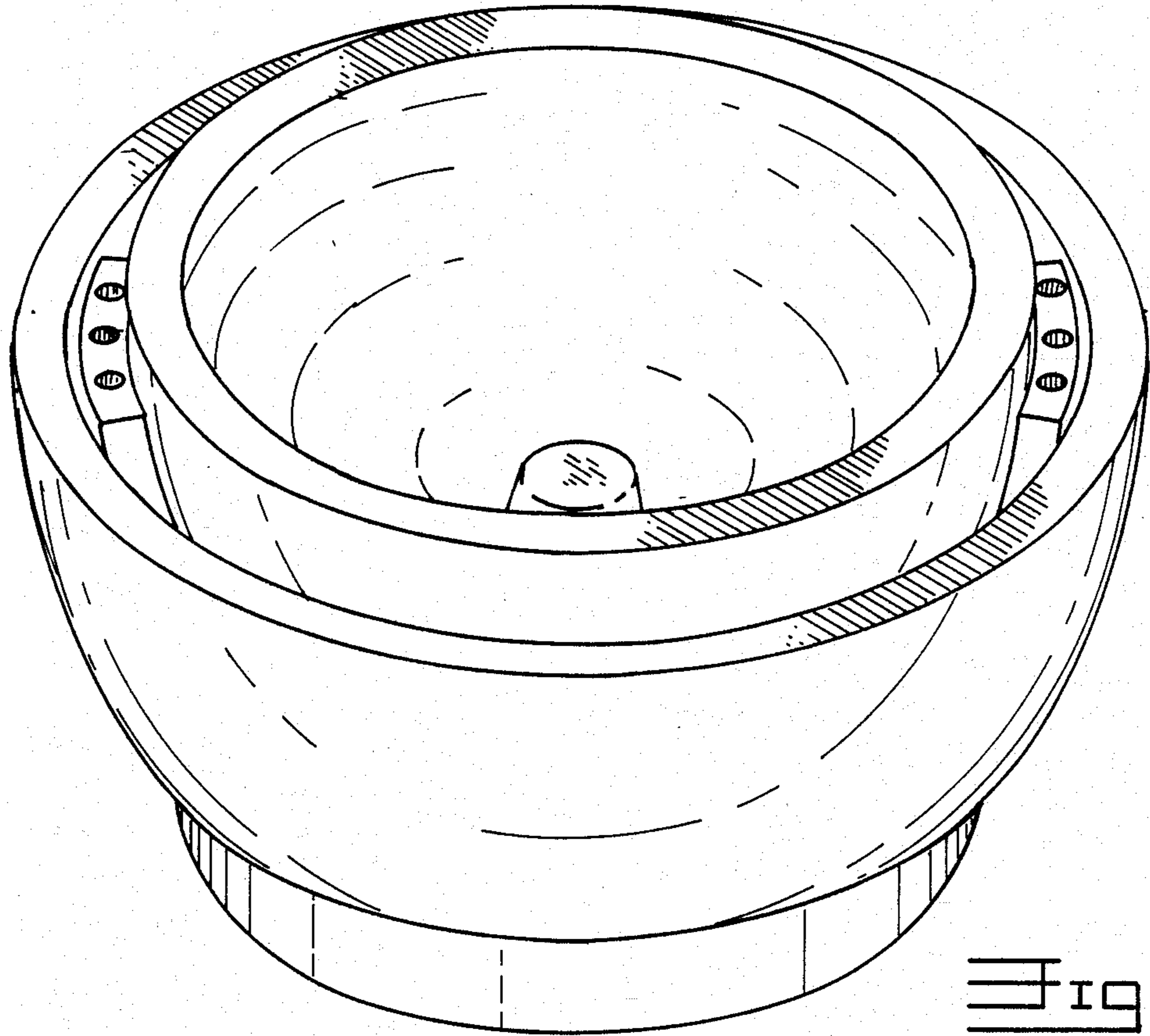


Fig. 1

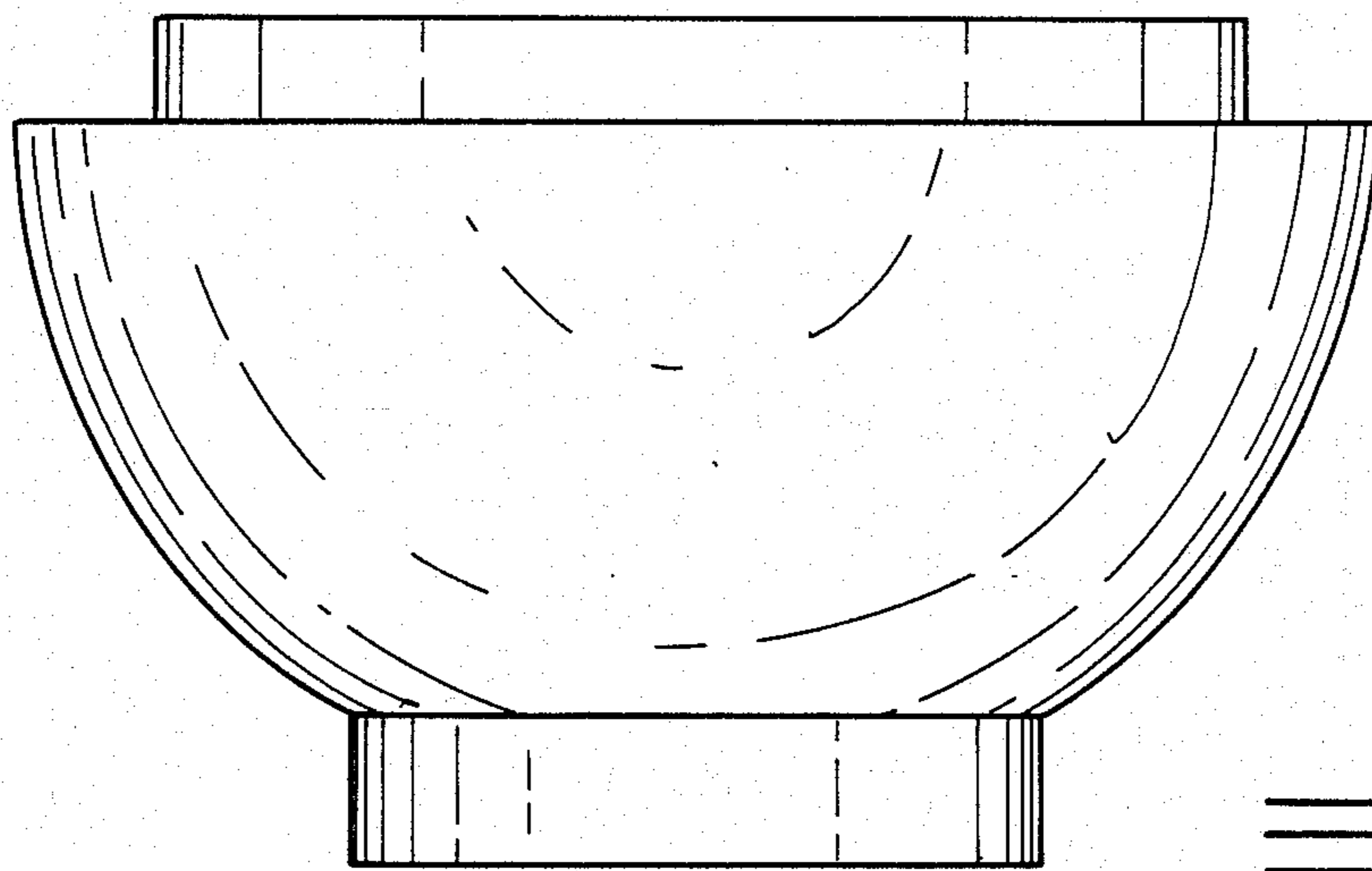


Fig. 2

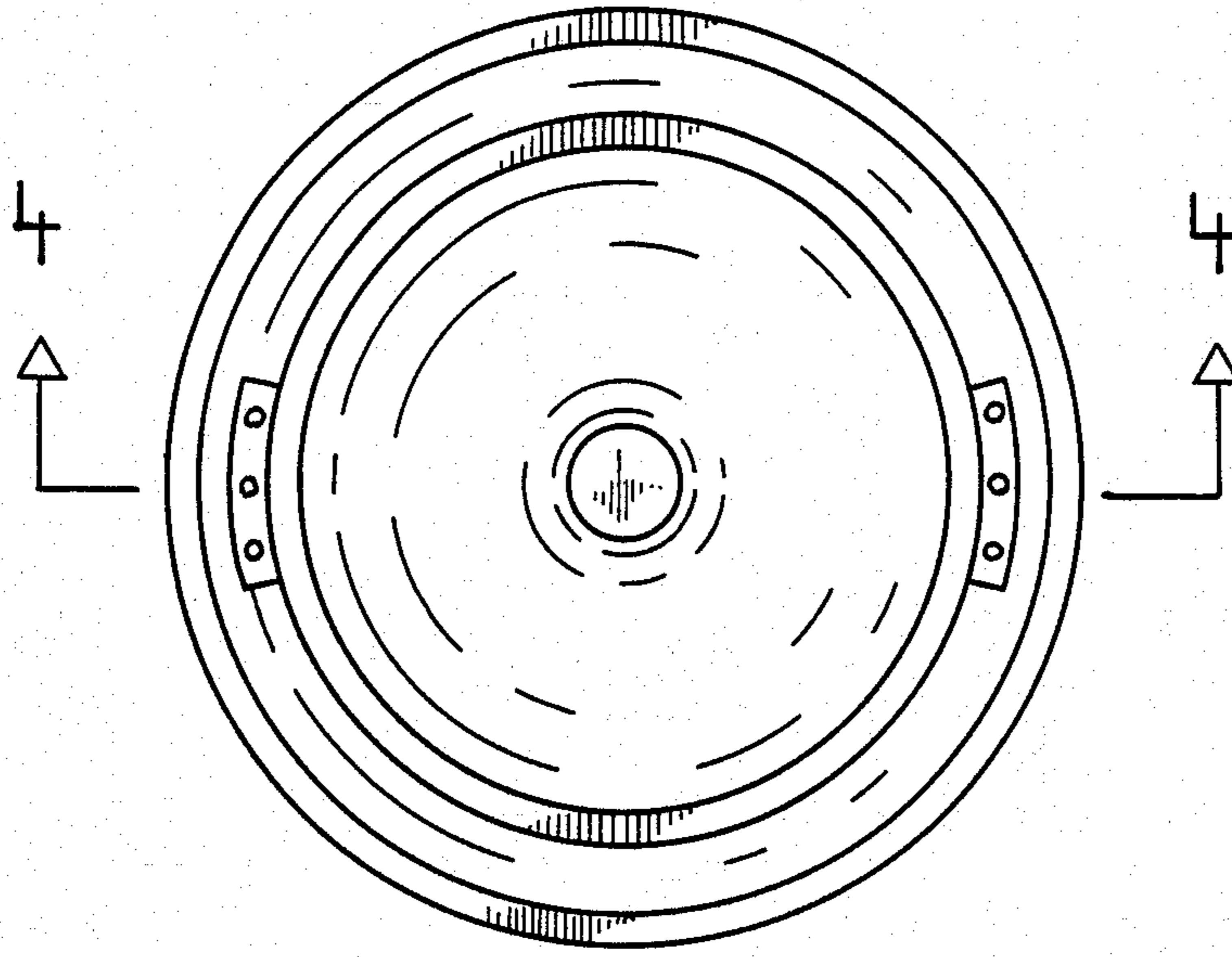


Fig. 3

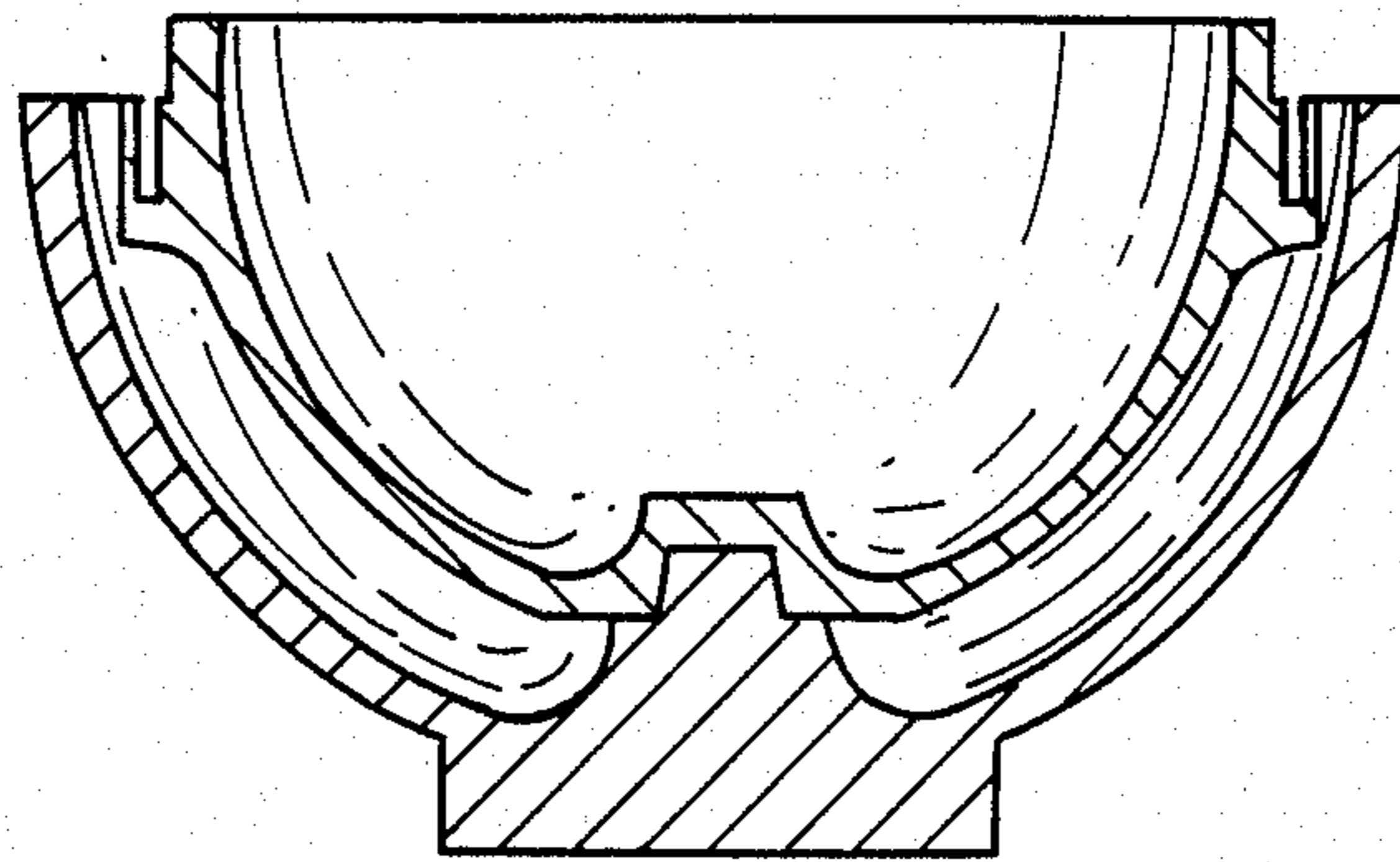


Fig. 4