

[54] COMBINED TOOTHPASTE TUBE SQUEEZER AND TOOTHBRUSH HOLDER

[76] Inventor: Joseph Waltel, Jr., Ten Ruland Rd., Melville, N.Y. 11747

[\*\*] Term: 14 Years

[21] Appl. No.: 8,929

[22] Filed: Jan. 30, 1987

[52] U.S. Cl. .... D6/530

[58] Field of Search ..... D6/512, 524, 527-528, D6/530, 541; 222/93-94, 101, 105-106; 206/277

[56] References Cited

U.S. PATENT DOCUMENTS

D. 217,263	4/1970	Manning	.....	D6/541
D. 273,257	4/1984	Barrera	.....	D6/530
2,997,210	8/1961	MacKirdy	.....	222/93
3,155,278	11/1964	Le Baron	.....	222/93
3,241,721	3/1966	Freeman	.....	222/93

Primary Examiner—Wallace R. Burke  
Assistant Examiner—Brian N. Vinson  
Attorney, Agent, or Firm—Myron Amer

[57] CLAIM

The ornamental design for a combined toothpaste tube squeezer and toothbrush holder, as shown and described.

DESCRIPTION

FIG. 1 is an exploded perspective view of a combined toothpaste tube squeezer and toothbrush holder showing my new design, the broken-line showing of the toothpaste tube and toothbrush being for illustrative purposes only and forming no part of the claimed design;

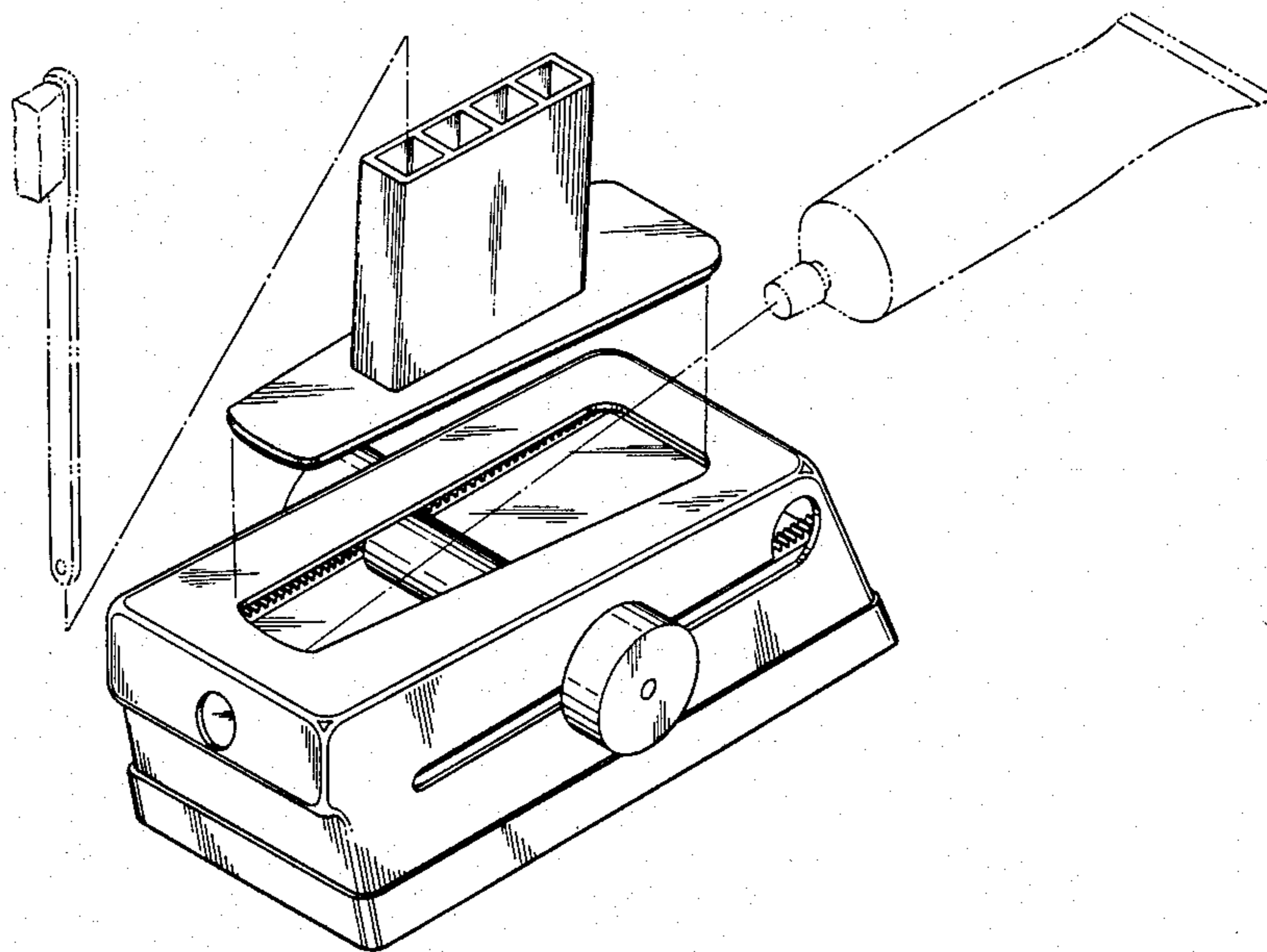
FIG. 2 is a top plan view thereof;

FIG. 3 is a front elevational view thereof;

FIG. 4 is a bottom plan view thereof;

FIG. 5 is a left side elevational view thereof; and,

FIG. 6 is a right side elevational view thereof.



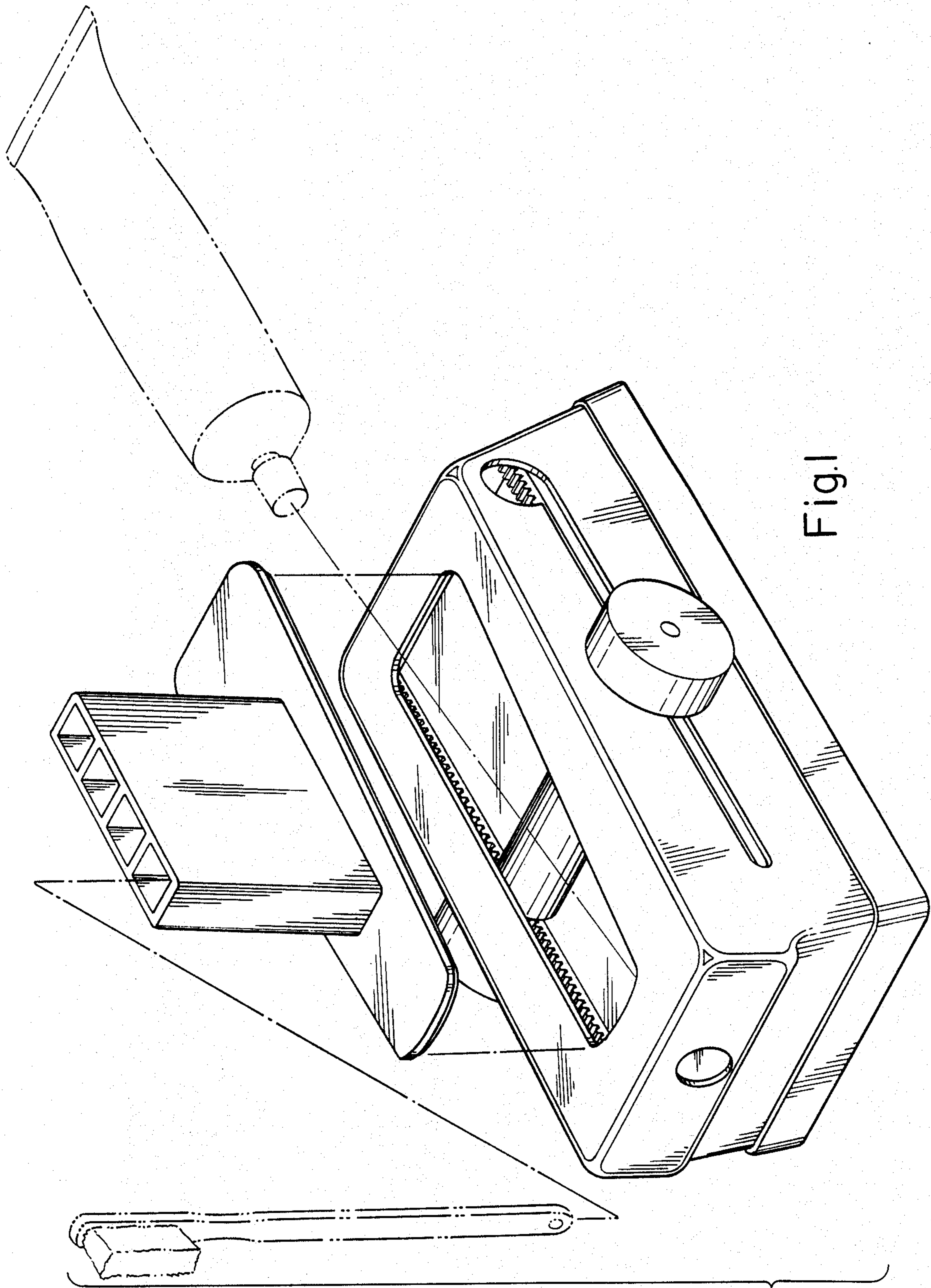


Fig. 1

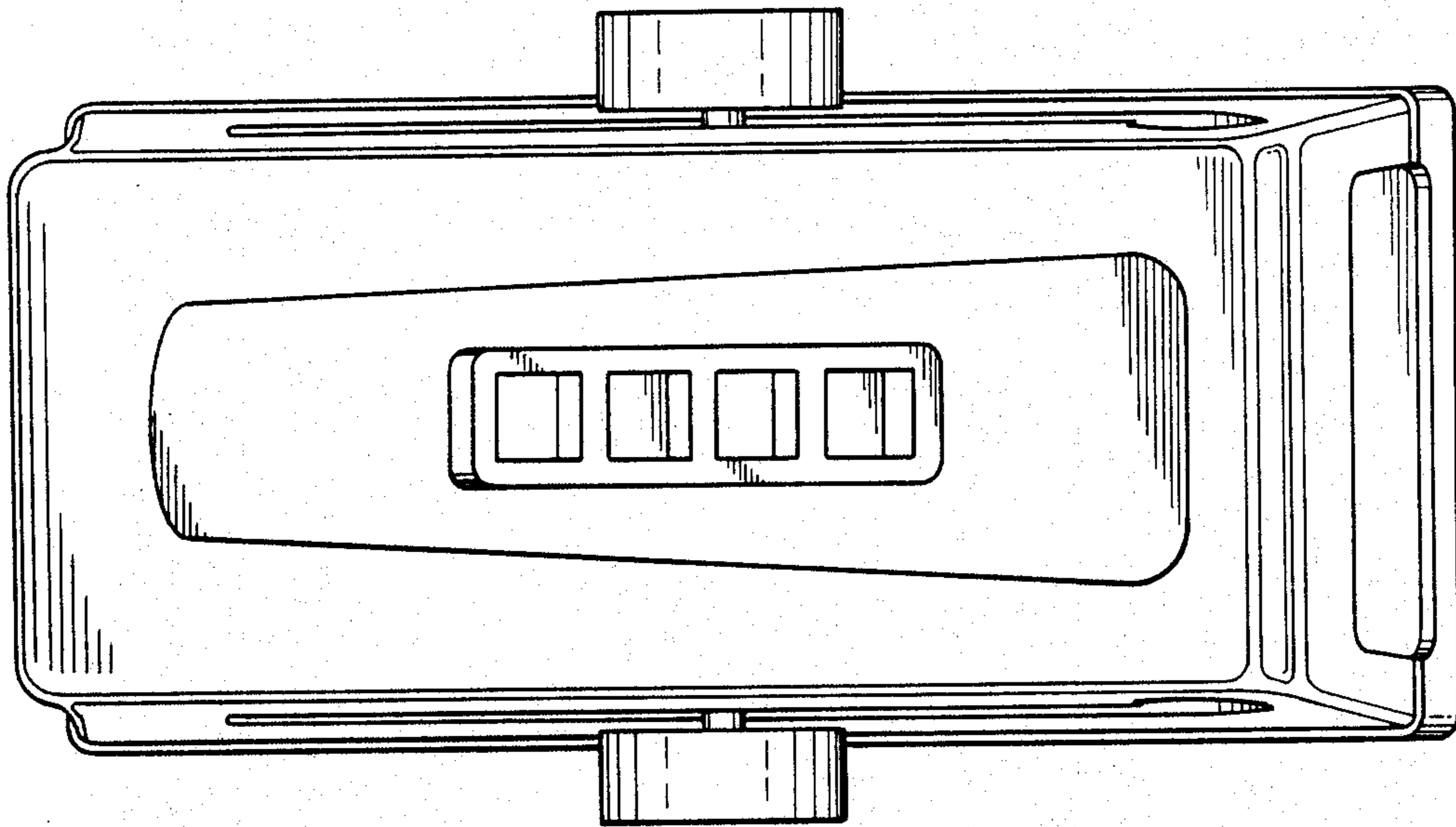


Fig. 2

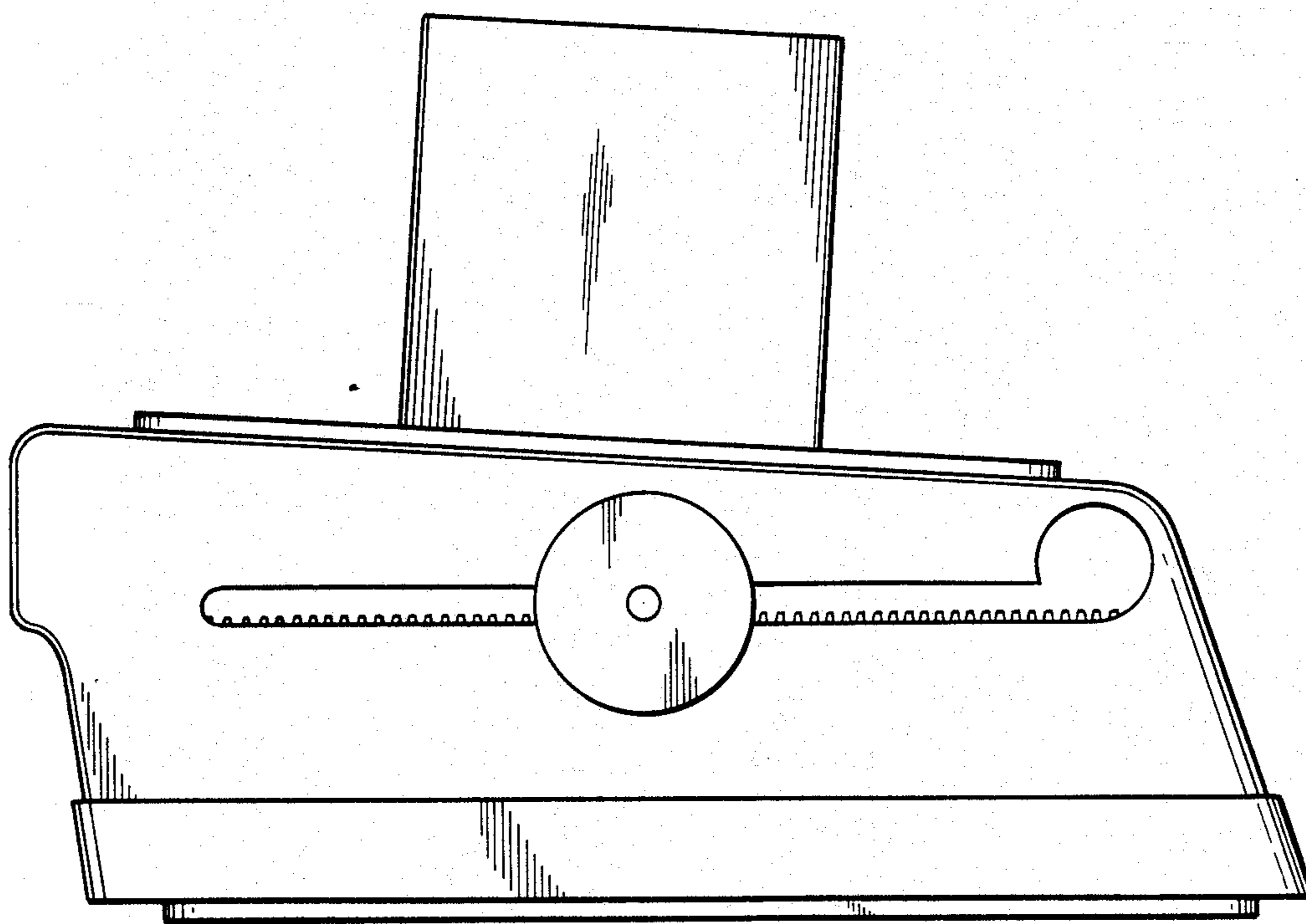


Fig. 3



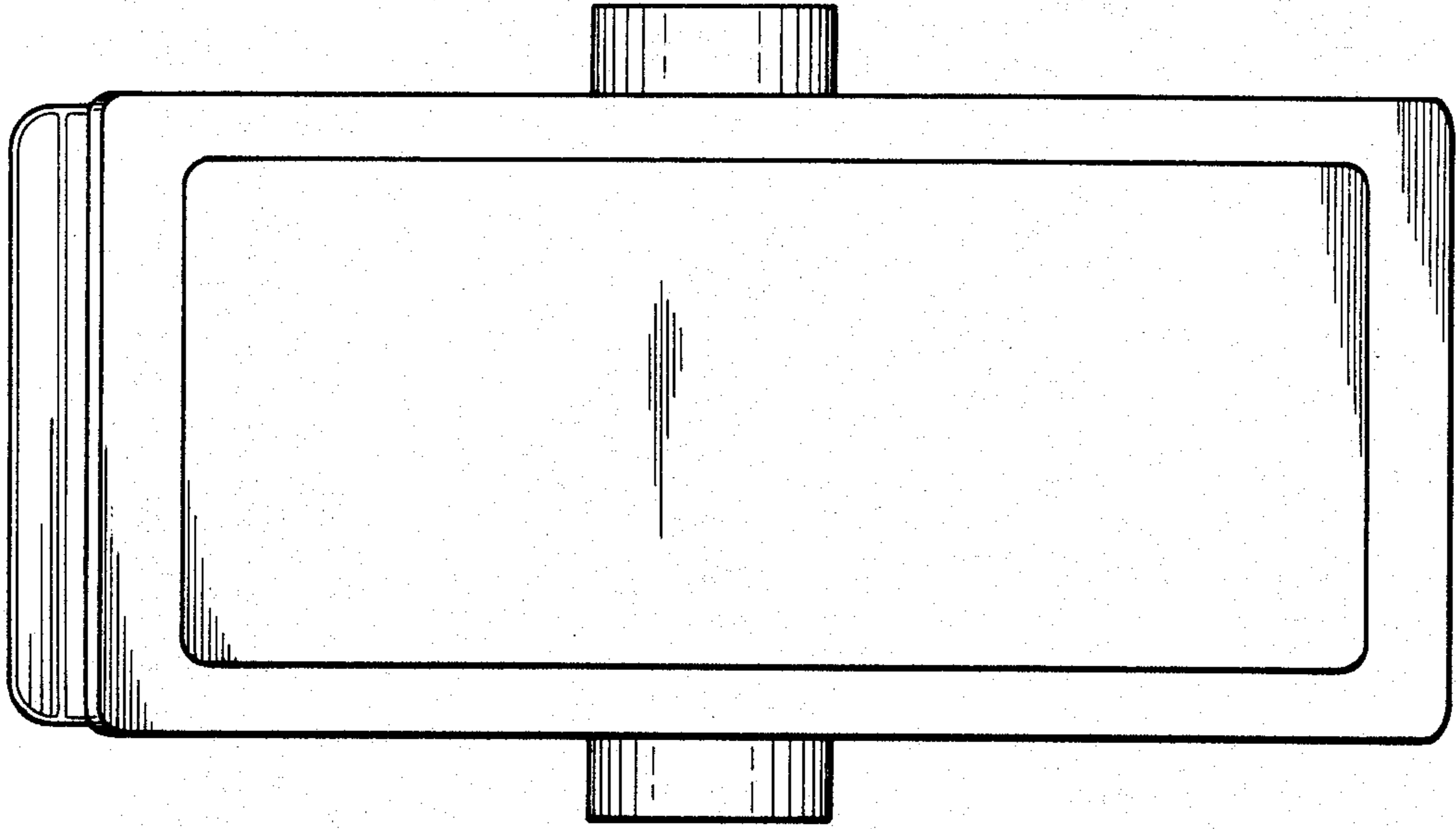


Fig.4

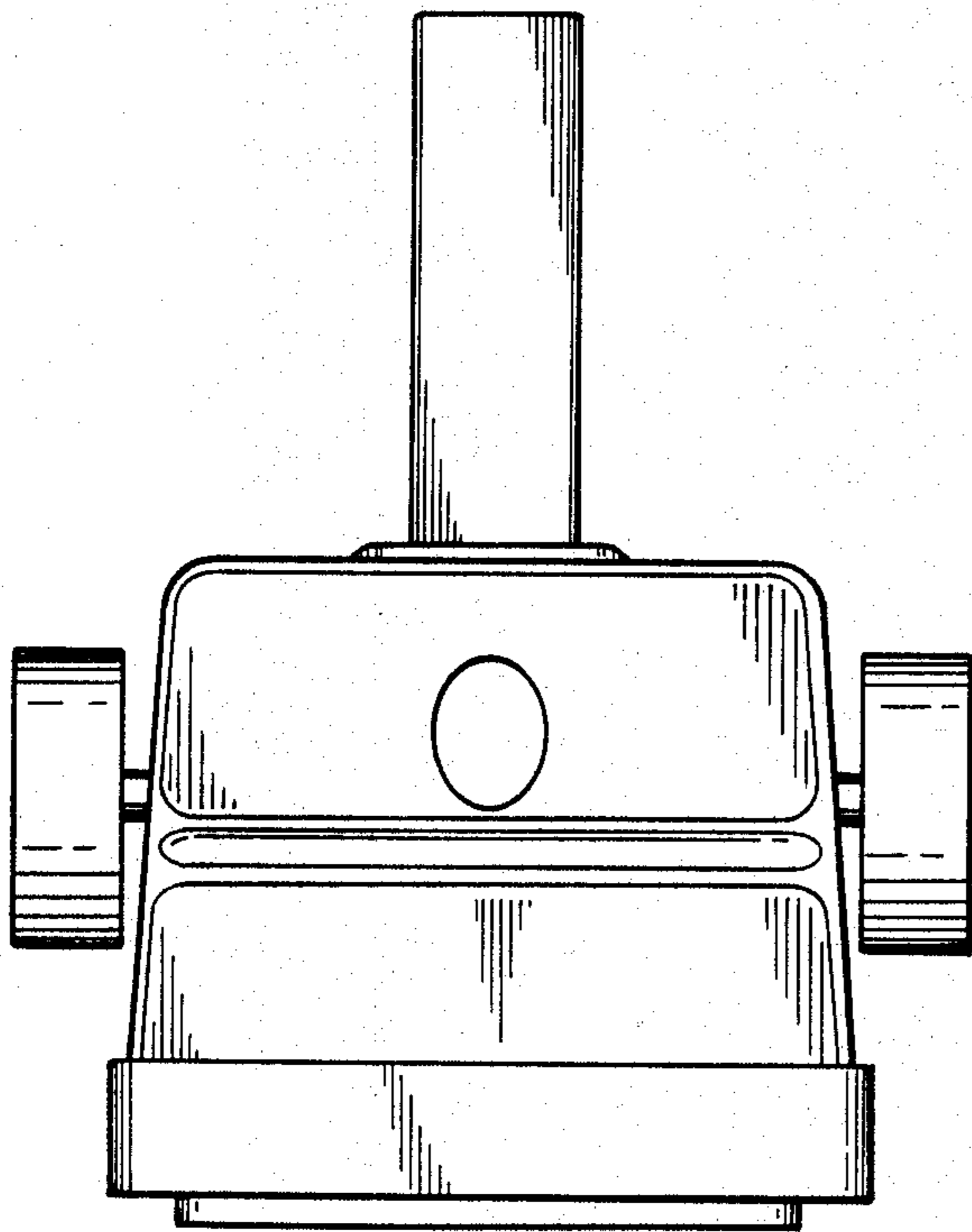


Fig.5

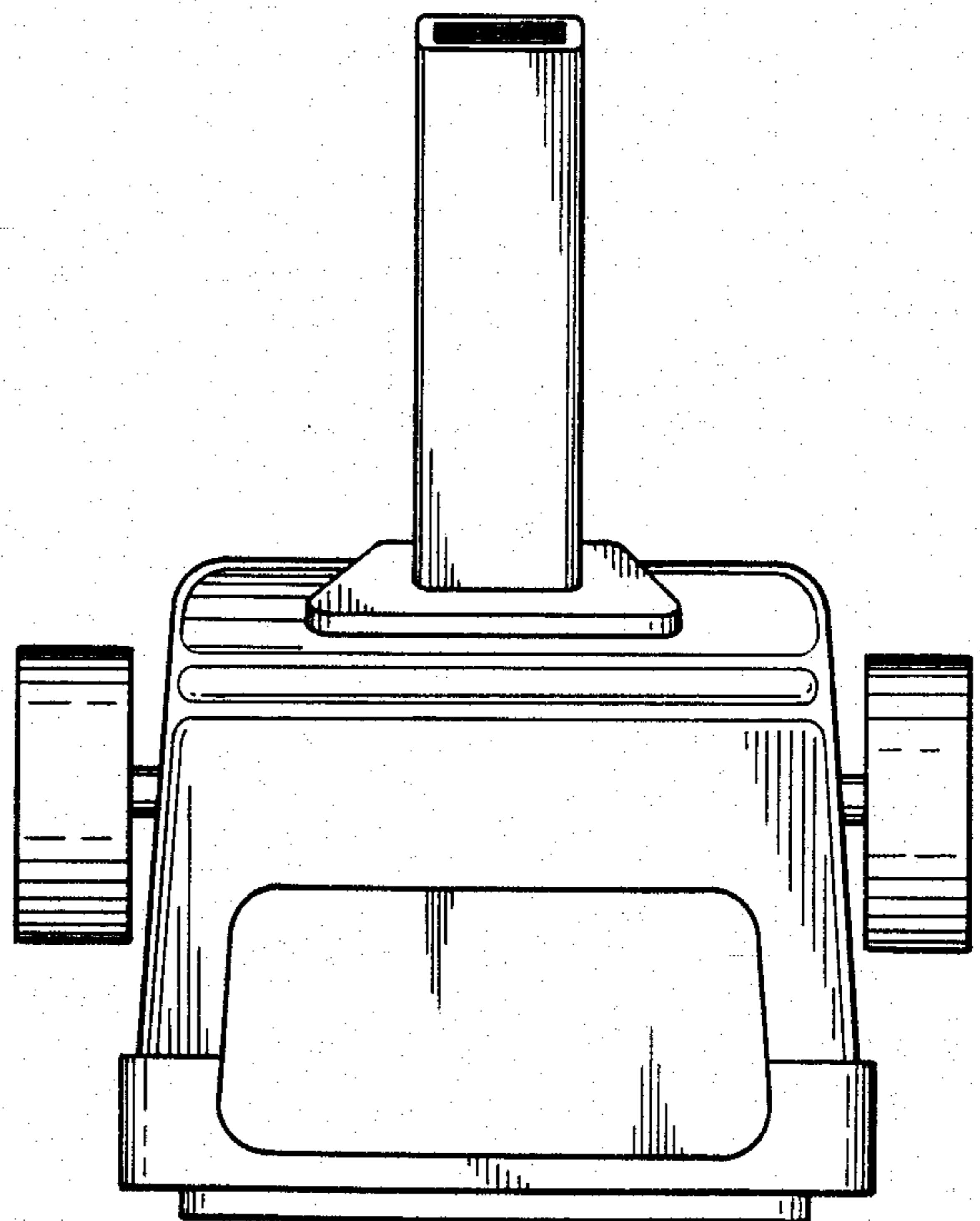


Fig.6