

[54] FRAME FOR A BED

[75] Inventor: Friedrich Schlapp, Schulstrasse 2A, Neu Anspach/Ts, Fed. Rep. of Germany

[73] Assignee: Friedrich Schlapp, Moebelbau Usingen, Fed. Rep. of Germany

[**] Term: 14 Years

[21] Appl. No.: 803,861

[22] Filed: Nov. 4, 1985

[30] Foreign Application Priority Data

May 4, 1985 [DE] Fed. Rep. of Germany MR77

[52] U.S. Cl. D6/393

[58] Field of Search D6/384, 393, 503, 505, D6/506, 507

[56] References Cited

U.S. PATENT DOCUMENTS

- D. 72,127 3/1927 Antrobus D6/393
- D. 101,221 9/1936 Jiranek D6/393

- D. 105,663 8/1937 Jiranek D6/393
- D. 129,589 9/1941 Jiranek D6/393
- D. 256,527 8/1980 Guetat D6/384 X
- D. 272,207 1/1984 Hull D6/393
- D. 286,593 11/1986 Yosimoto D6/384 X

Primary Examiner—James R. Largen
Attorney, Agent, or Firm—Michael J. Striker

[57] CLAIM

The ornamental design for a frame for a bed, as shown and described.

DESCRIPTION

FIG. 1 is a perspective view taken from the top, front and left side of a frame for a bed showing my new design;

FIG. 2 is a perspective view taken from the top, front and right side view thereof;

FIG. 3 is a right side elevational view thereof, the left side being a mirror image of the right side shown;

FIG. 4 is a front elevational view thereof, the rear being the same as the front shown; and

FIG. 5 is a top plan view thereof.

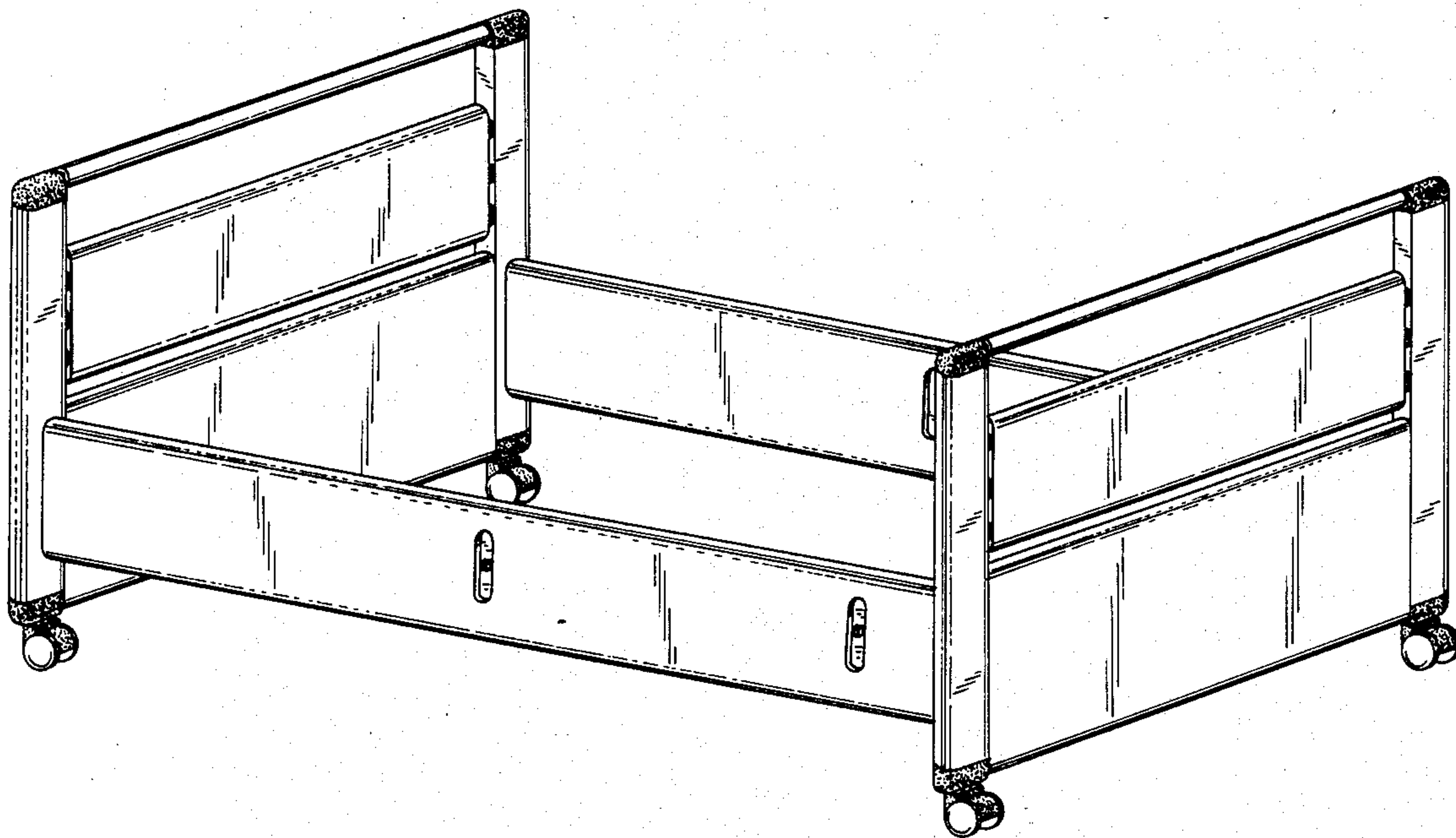
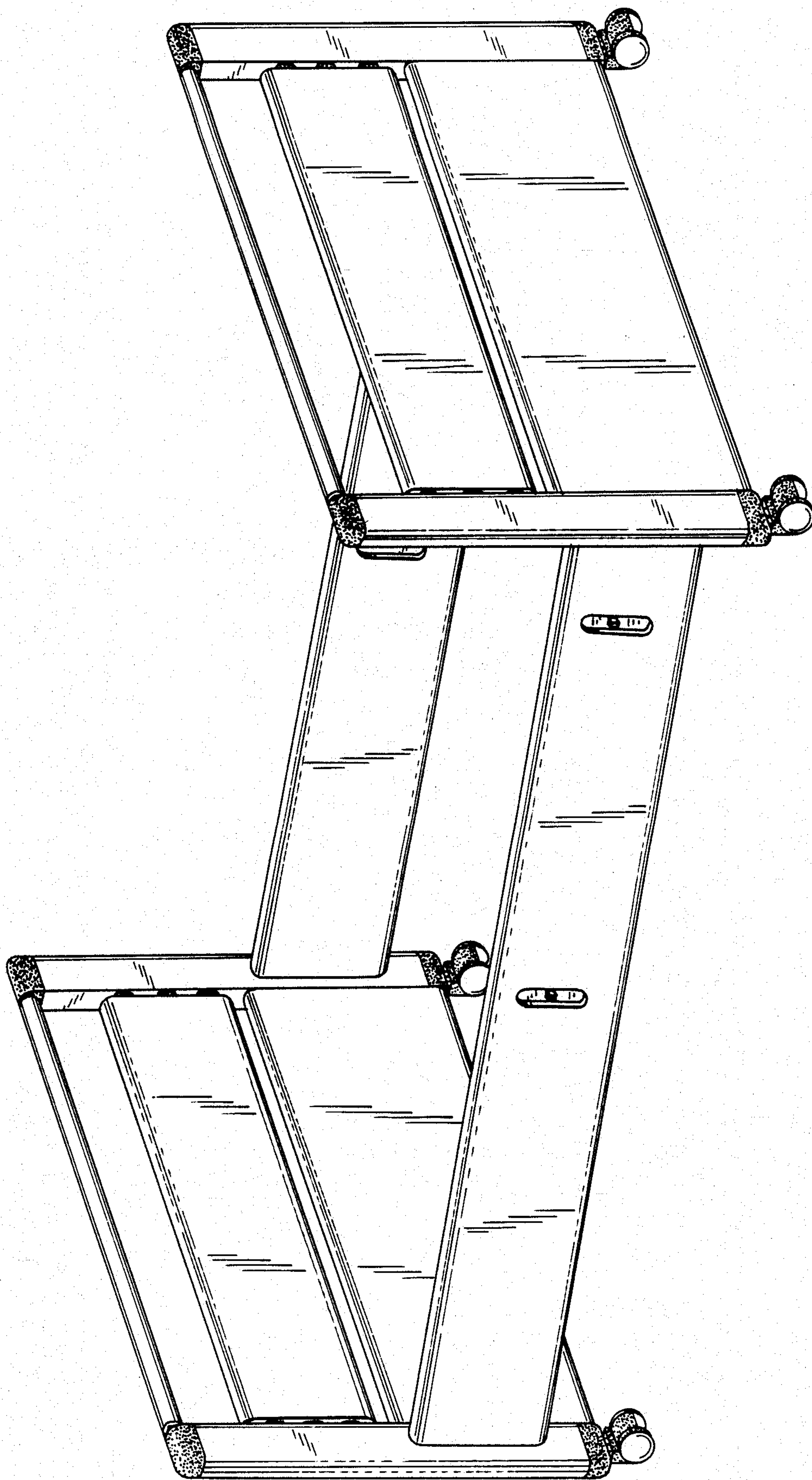


FIG. 1



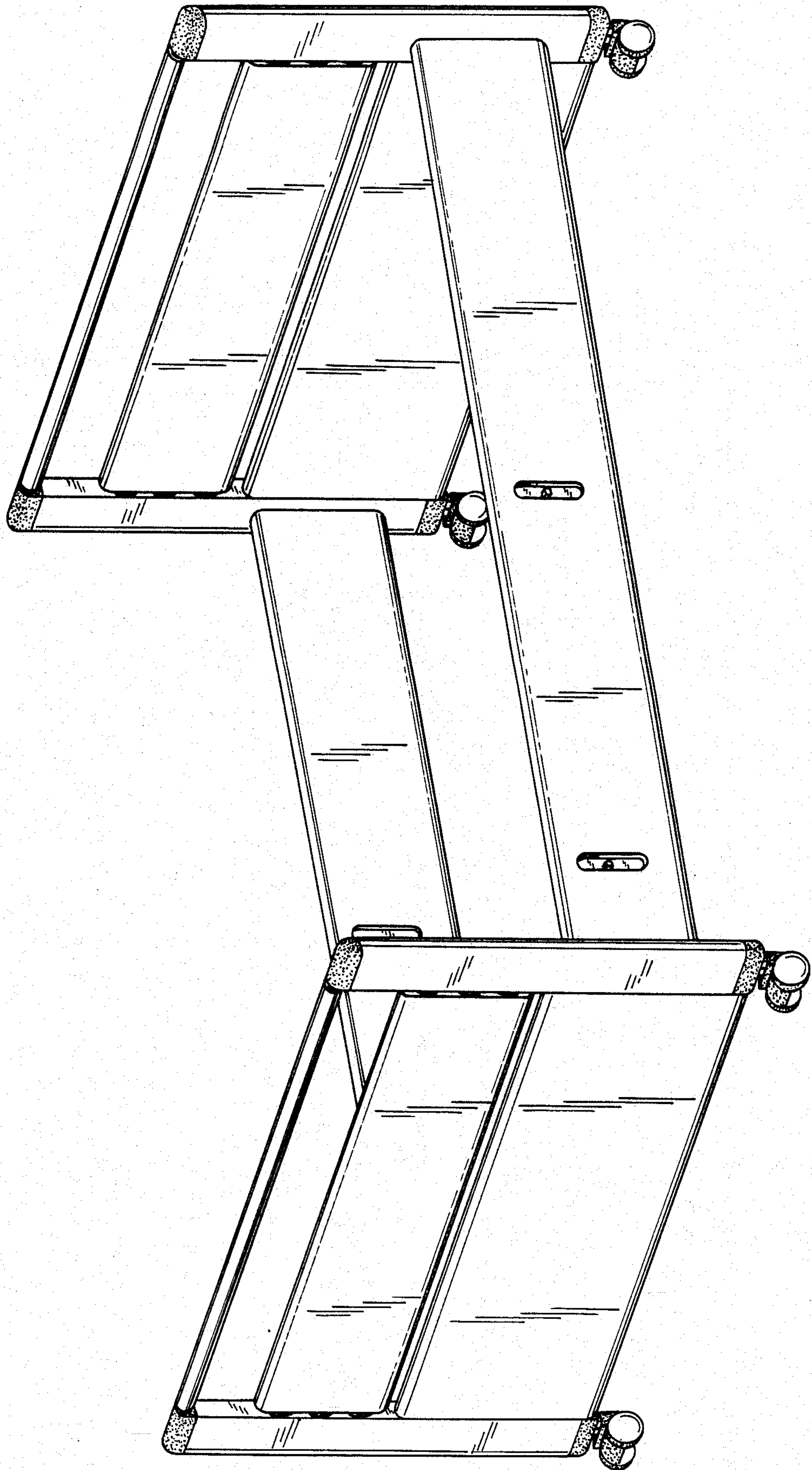


FIG. 2

FIG. 3

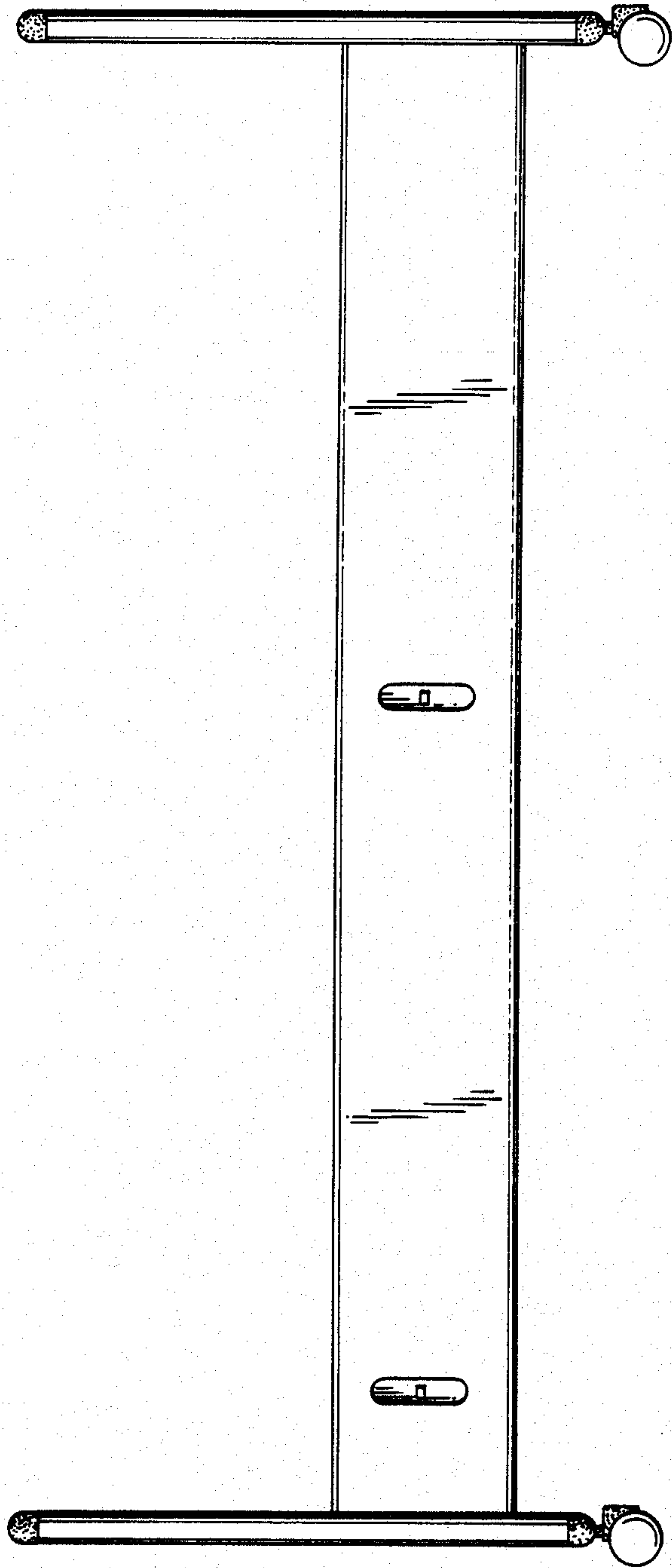


FIG. 4

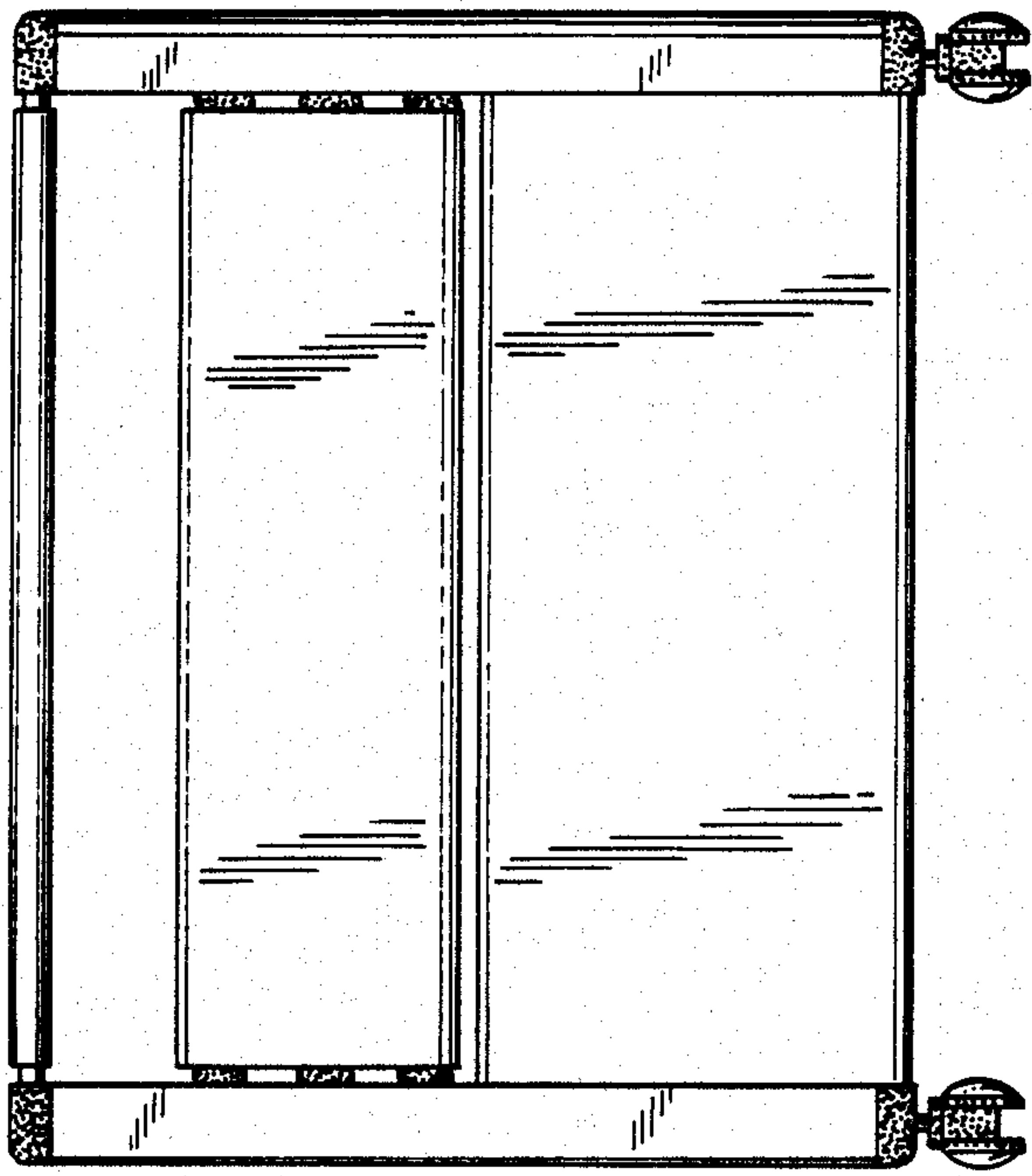


FIG. 5

