

[54] CHAIR

[76] Inventor: Dennis N. Swilley, #12 W. Oak Bluff, Aubrey, Tex. 76227

[**] Term: 14 Years

[21] Appl. No.: 917,378

[22] Filed: Oct. 9, 1986

[52] U.S. Cl. D6/374

[58] Field of Search D6/334, 374, 375, 367; 297/442

- 2,490,884 12/1949 Rau .
- 2,792,877 5/1957 West, Jr. .
- 3,527,497 9/1970 Self .
- 3,788,700 1/1974 Wartes .
- 3,950,028 4/1976 Schnepel .
- 4,046,421 9/1977 Spound et al. .
- 4,188,067 2/1980 Elmer .
- 4,225,180 9/1980 Gillis .
- 4,234,227 11/1980 Faust .
- 4,235,473 11/1980 Aginar .

Primary Examiner—Bruce W. Dunkins
Assistant Examiner—Ann S. Hunt

[56] References Cited

U.S. PATENT DOCUMENTS

- D. 78,016 3/1929 Goble .
- D. 181,827 12/1957 White D6/374
- D. 182,183 2/1958 Herschell D6/374
- D. 182,901 5/1958 Kaehn D6/374
- D. 211,140 5/1968 Bernhardt D6/490
- D. 240,482 7/1976 Voorhees D6/374
- D. 243,570 3/1977 Laurenzi D6/374
- D. 252,359 7/1979 Cohen et al. D6/374
- 1,735,851 11/1929 Burton .
- 2,479,086 8/1949 Silverman .
- 2,486,987 11/1949 Scarlett .

[57] CLAIM

The ornamental design for a chair, as shown and described.

DESCRIPTION

FIG. 1 is a front perspective view of the chair showing my new design;
FIG. 2 is a front elevational view;
FIG. 3 is a side elevational view;
FIG. 4 is a rear elevational view;
FIG. 5 is a top plan view; and
FIG. 6 is a bottom plan view thereof.

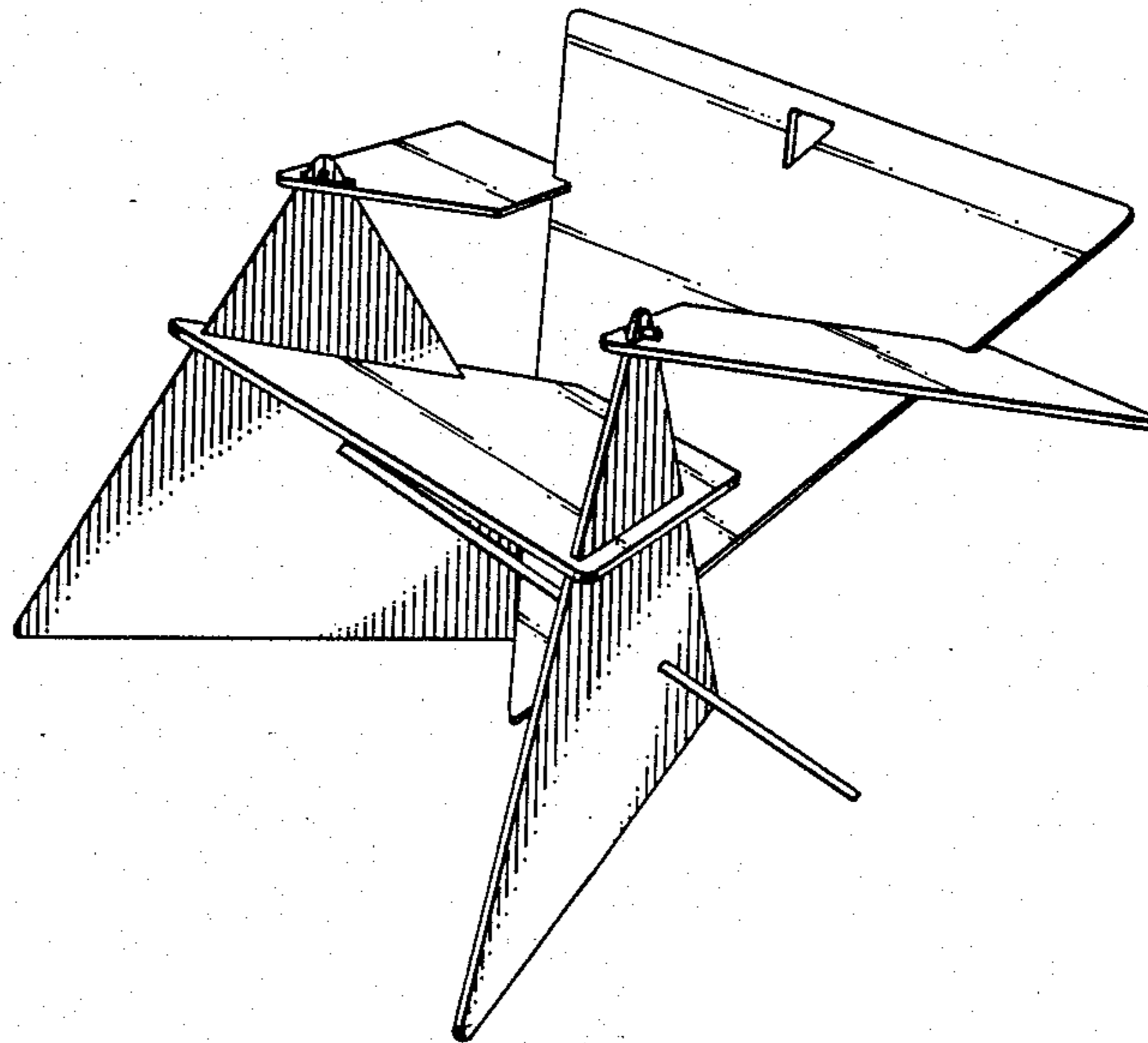


FIG. 1

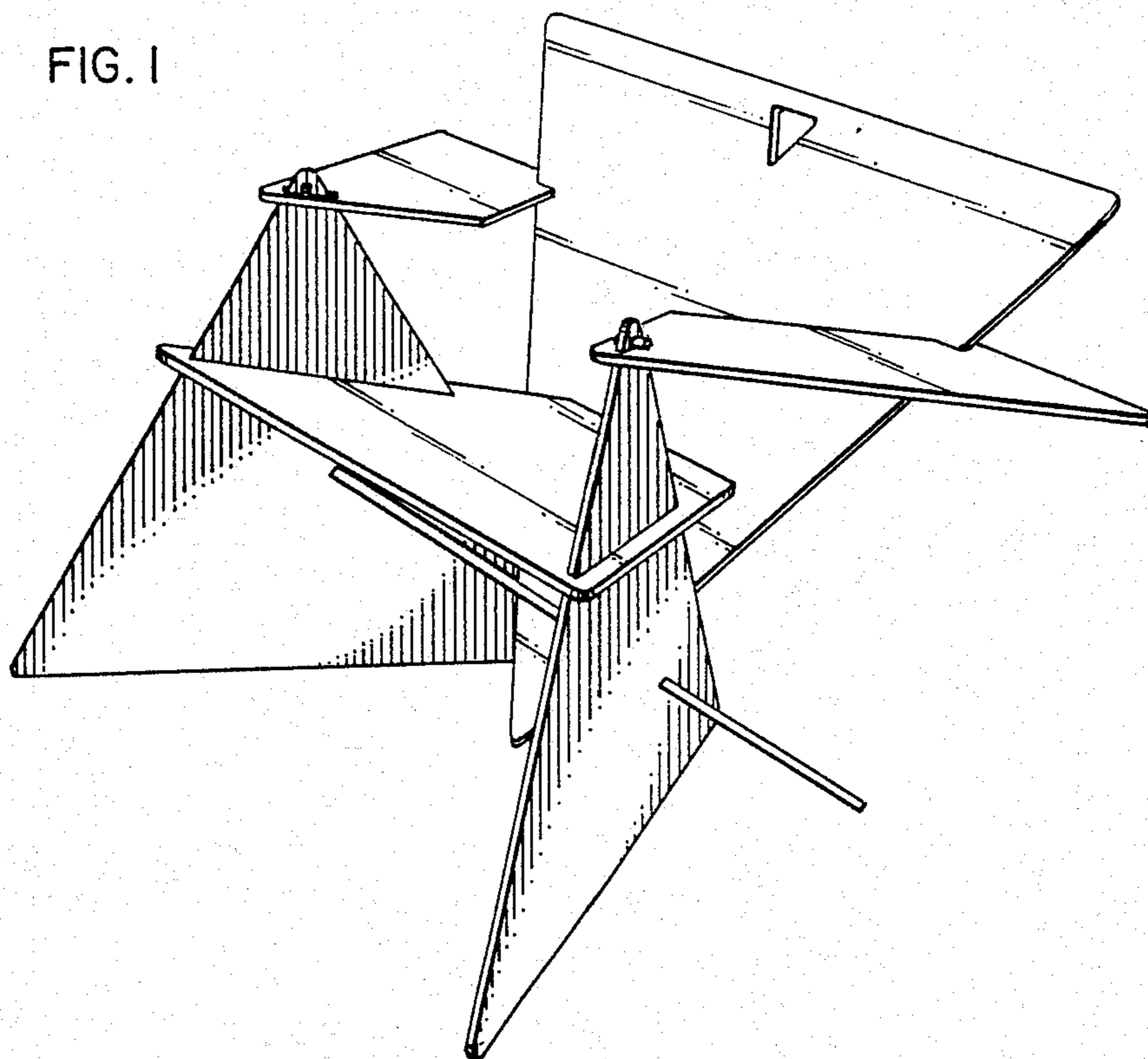


FIG. 2

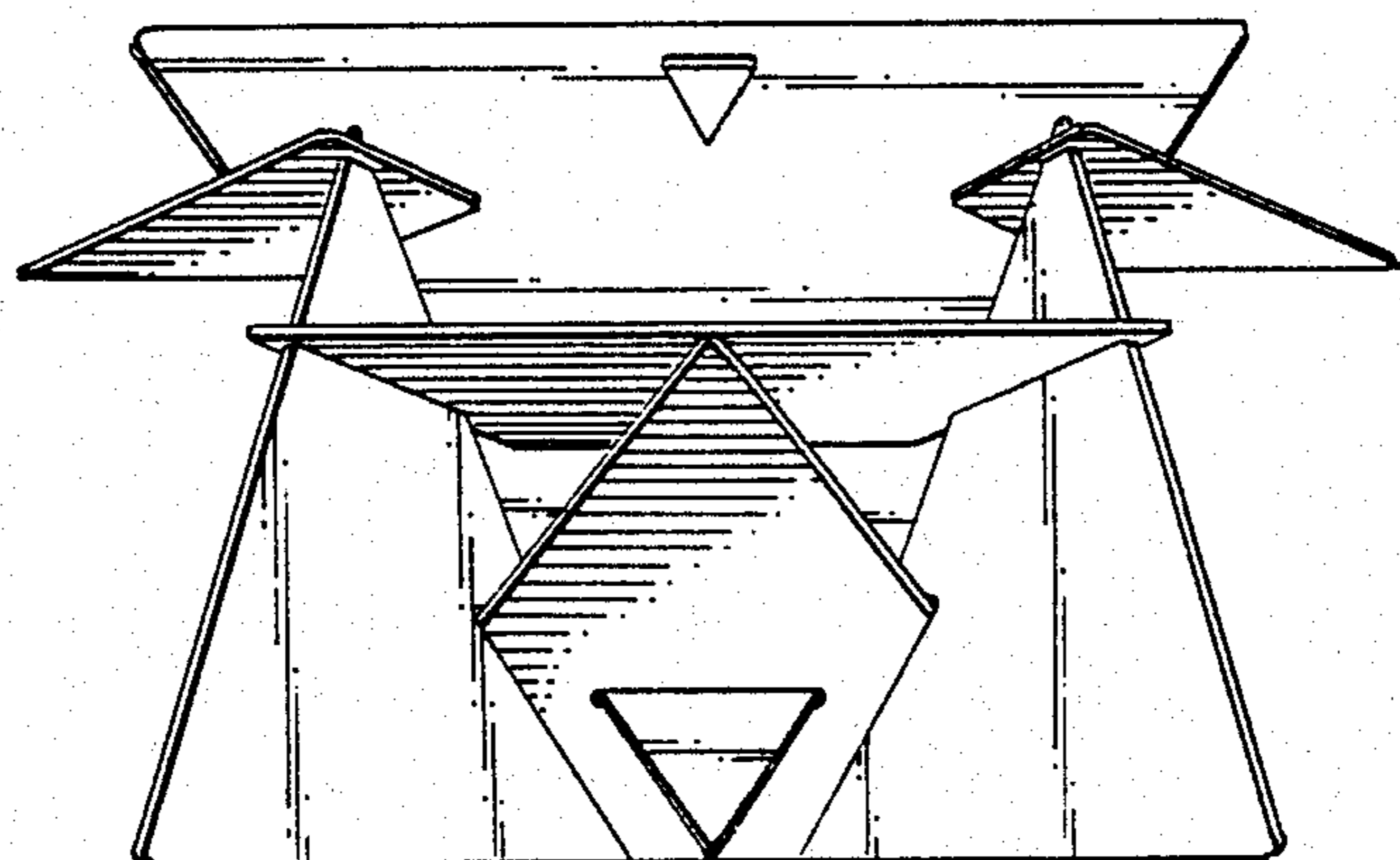


FIG. 3

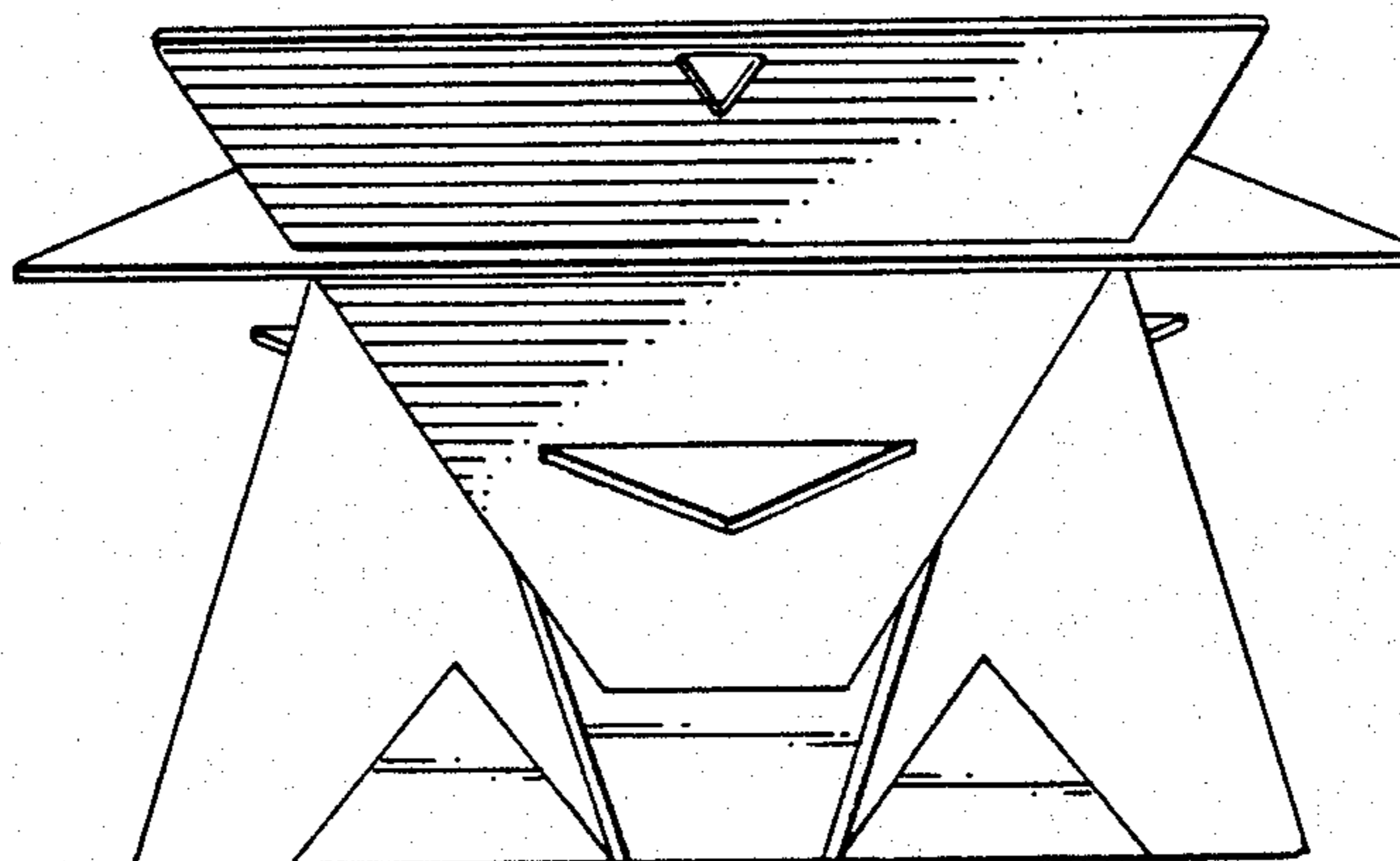
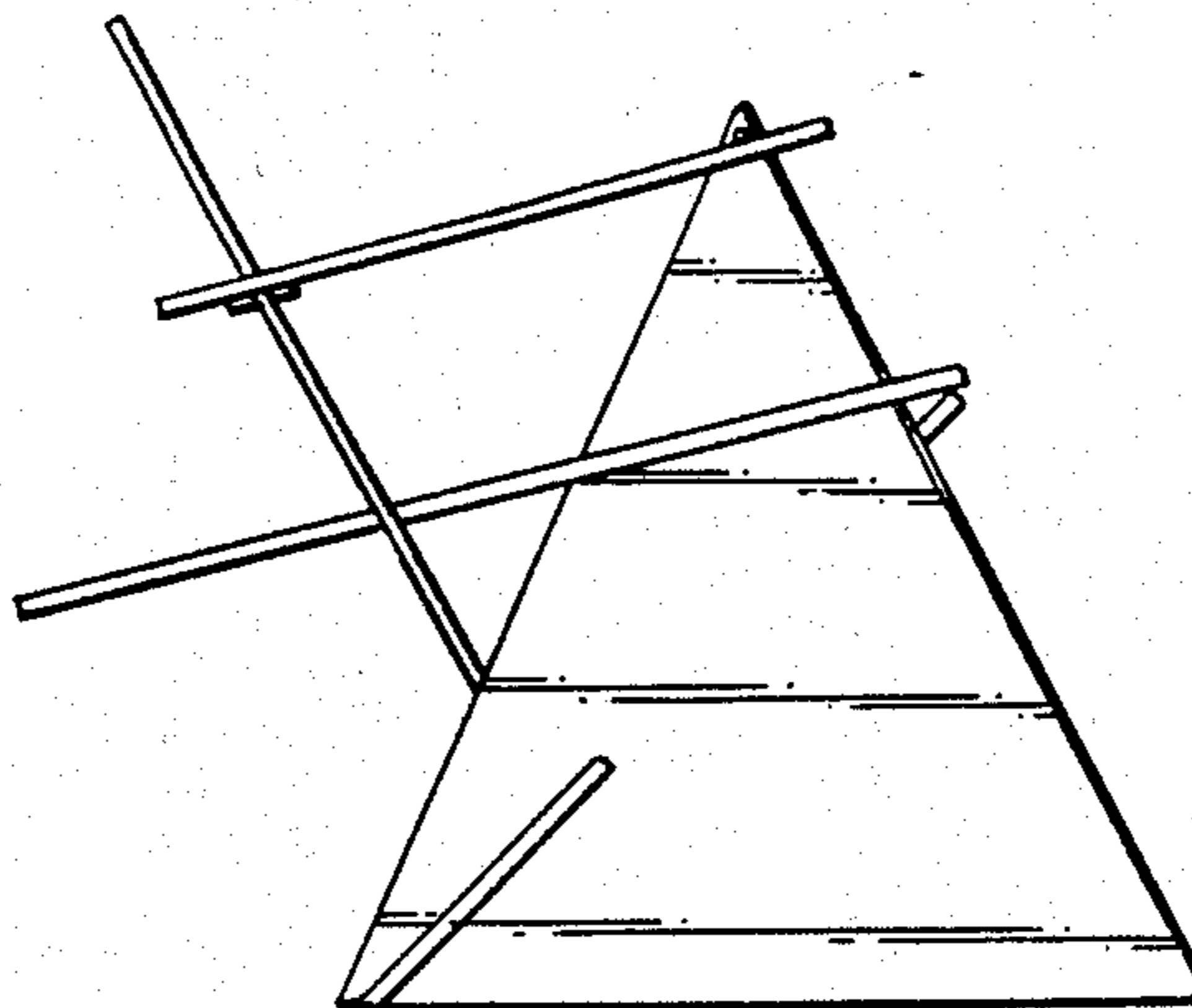


FIG. 4

FIG. 5

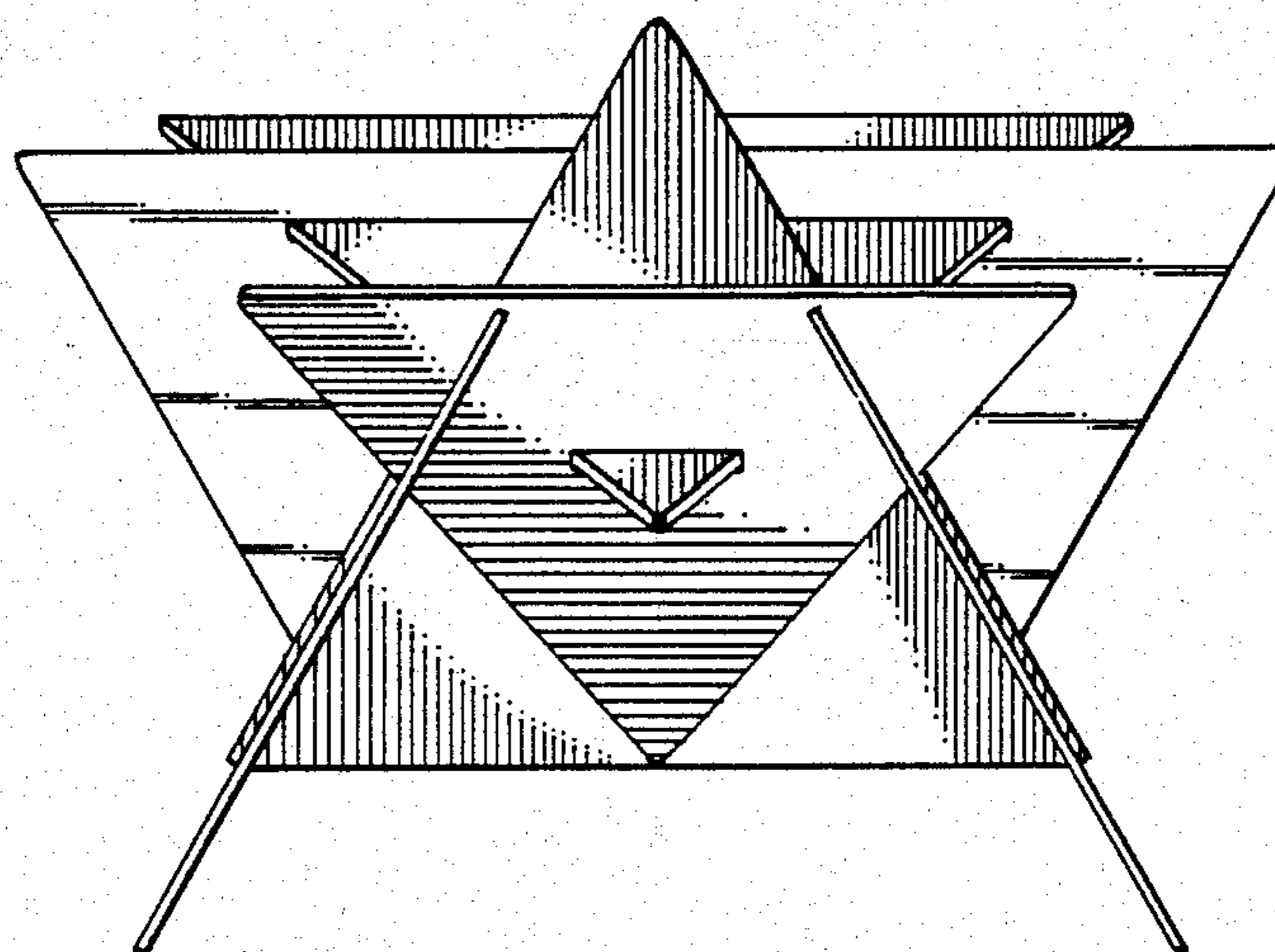
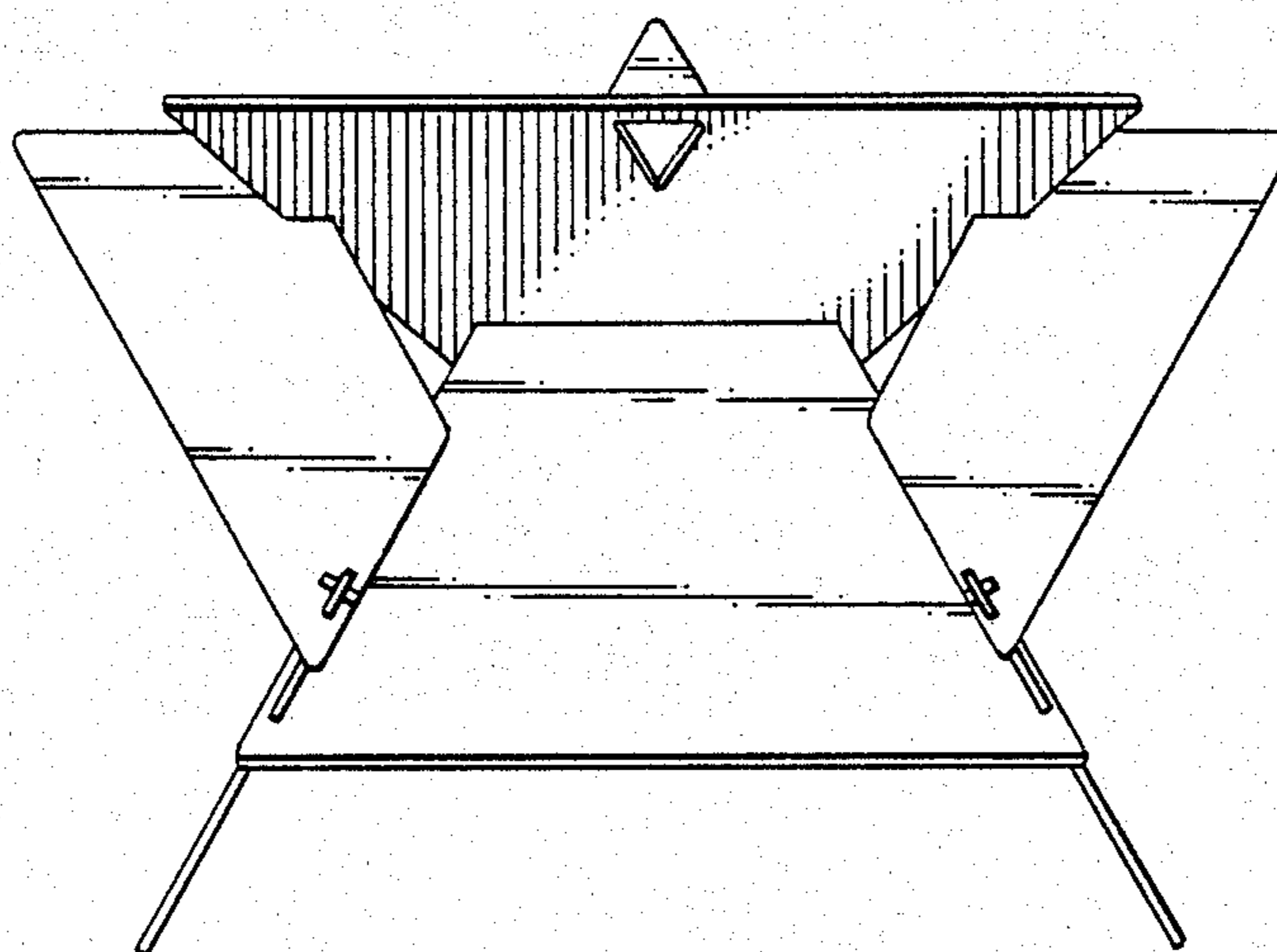


FIG. 6