

[54] COAT HOOK

[76] Inventor: Cini Boeri, Via S. Ambrogio,
14-20123 Milan, Italy

[**] Term: 14 Years

[21] Appl. No.: 160,075

[22] Filed: Feb. 24, 1988

[30] Foreign Application Priority Data

Sep. 2, 1987 [IT] Italy 22250/87[U]

[52] U.S. Cl. D6/323; D6/320;
D6/569; D8/372; D8/373

[58] Field of Search D6/320, 323, 567, 569;
D8/367, 371, 372, 373; 211/32, 87; 248/304

[56] References Cited

U.S. PATENT DOCUMENTS

D. 152,038	12/1948	Stauber	D6/323
D. 206,232	11/1966	Magnuson	D6/323
D. 222,865	1/1972	Coy	D8/373
D. 243,426	2/1977	Joslyn	D6/567
2,937,759	5/1960	Smith	211/32

Primary Examiner—B. J. Bullock
Attorney, Agent, or Firm—Steinberg & Raskin

[57] CLAIM

The ornamental design for a coat hook, as shown.

DESCRIPTION

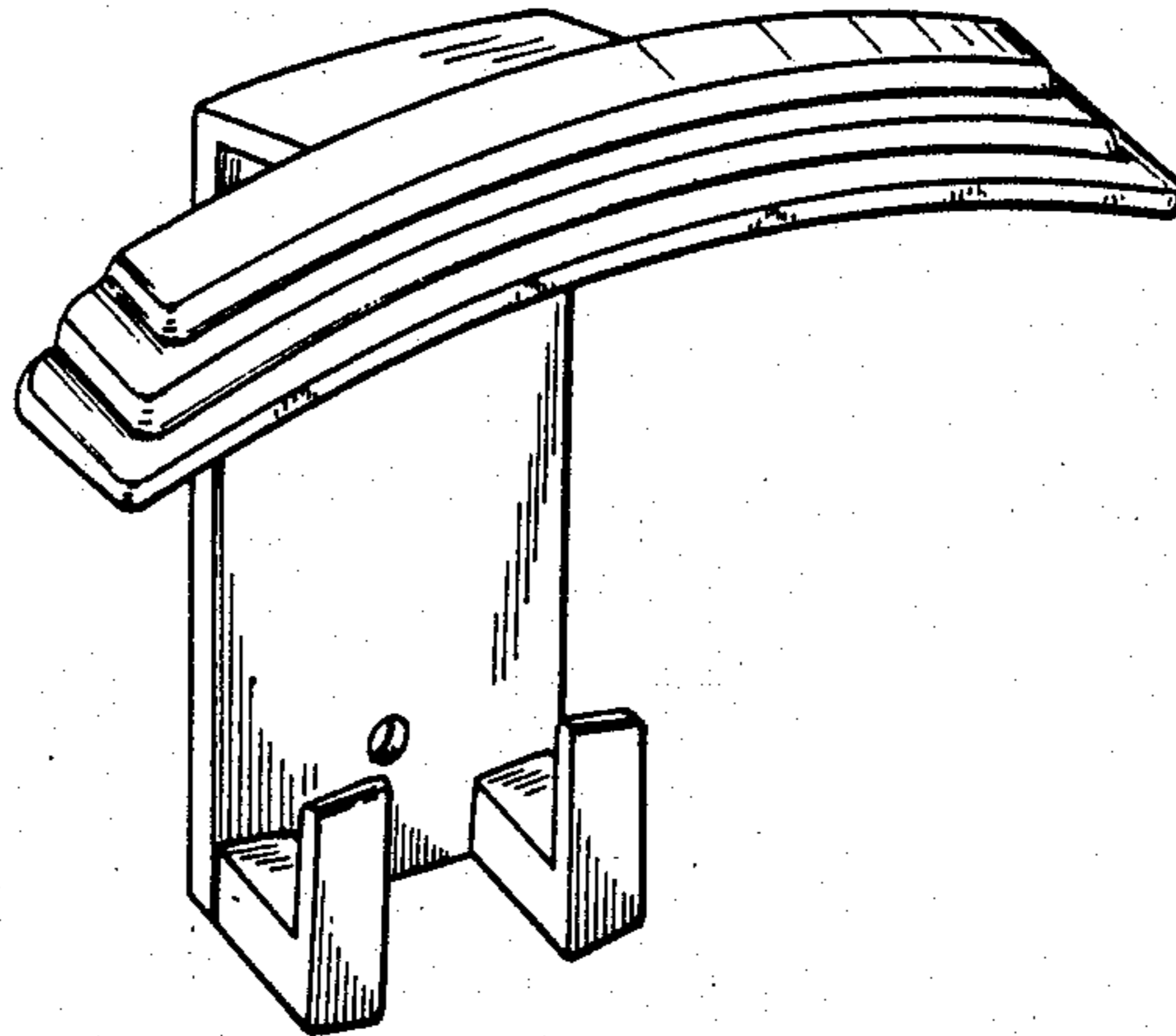
FIG. 1 is a perspective view of a coat hook showing my new design;

FIG. 2 is an enlarged front view thereof;

FIG. 3 is an enlarged left side view thereof, the right side being a mirror image;

FIG. 4 is an enlarged top view thereof;

FIG. 5 is an enlarged bottom view thereof.



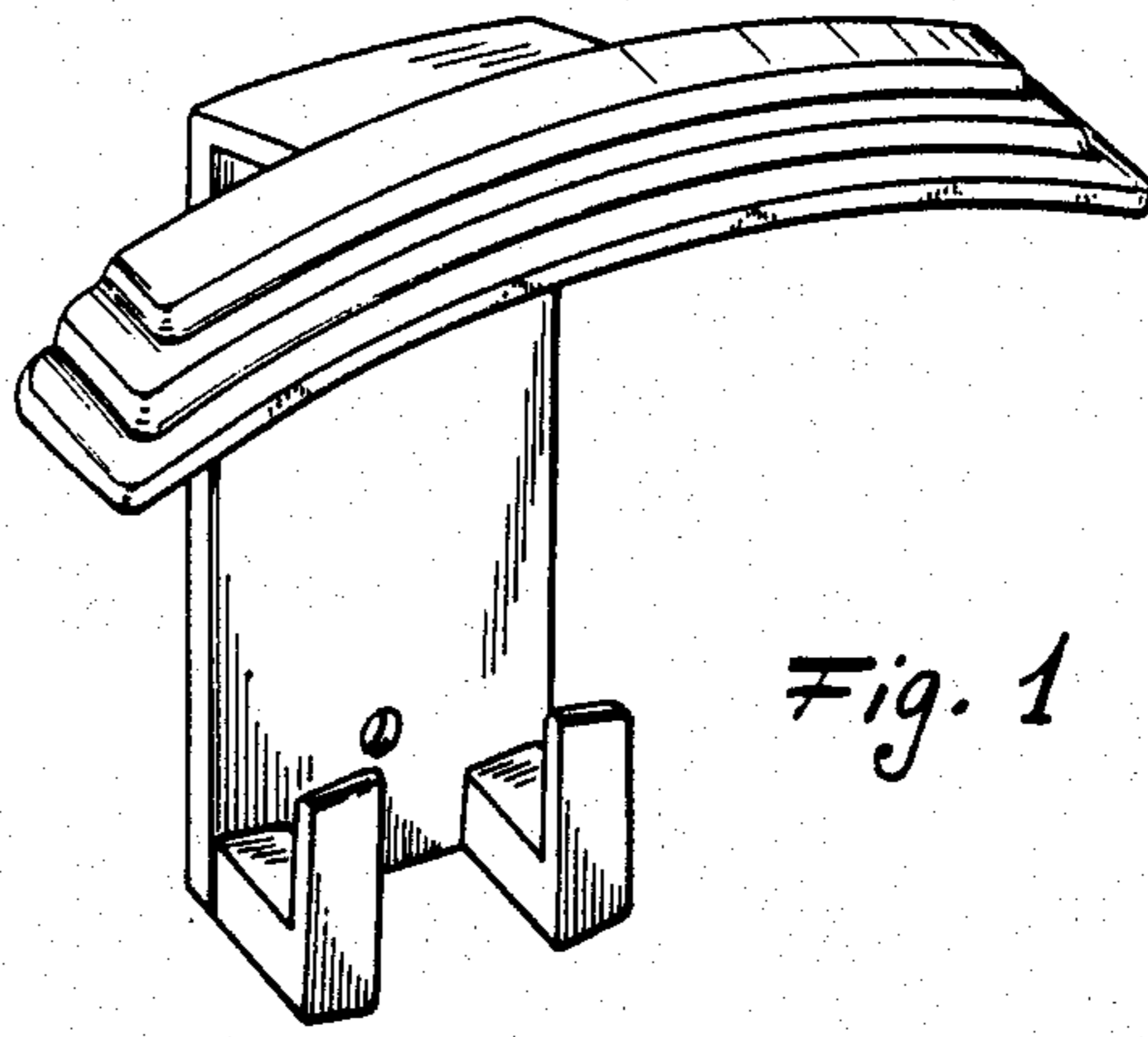


Fig. 1

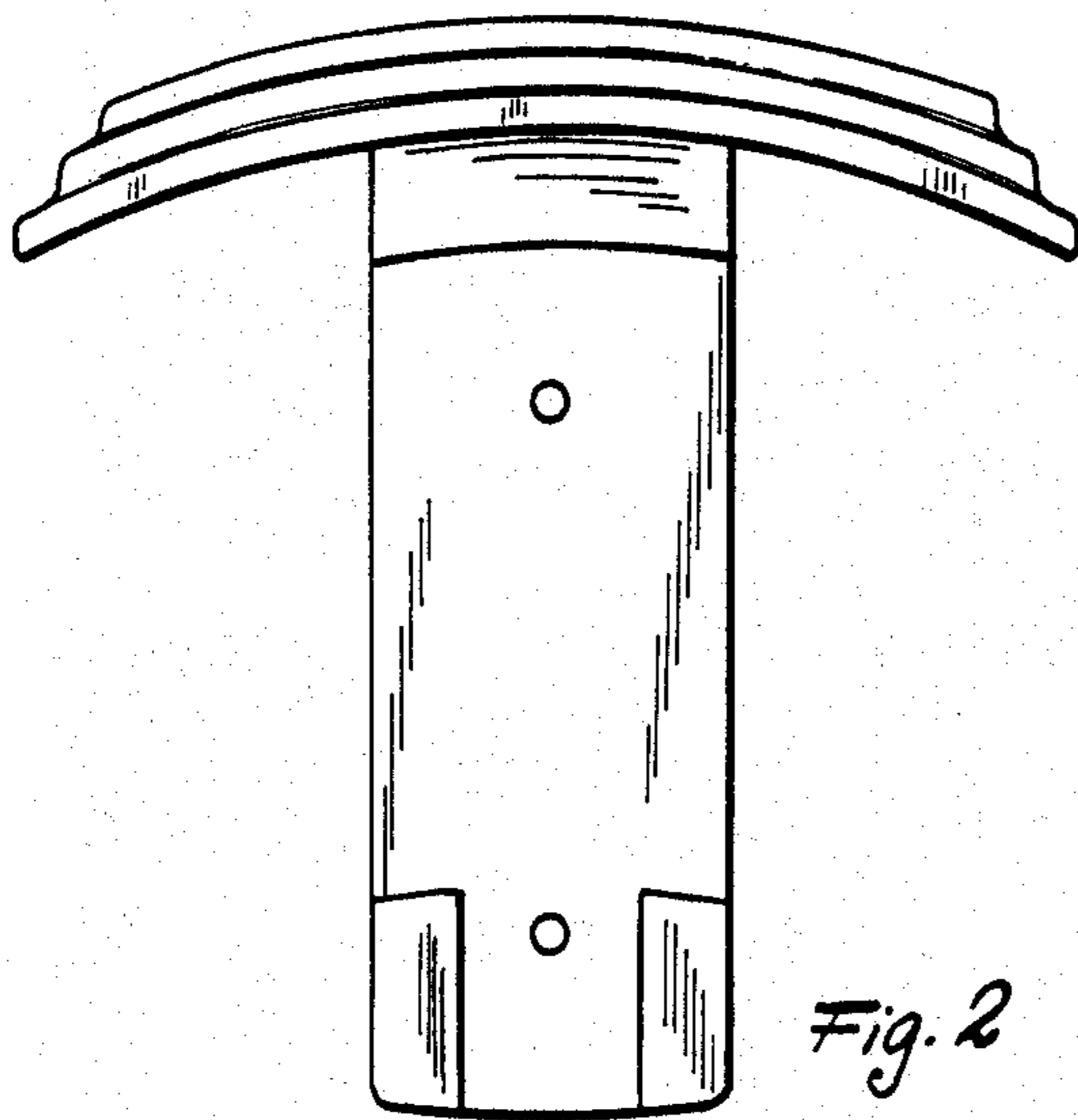


Fig. 2

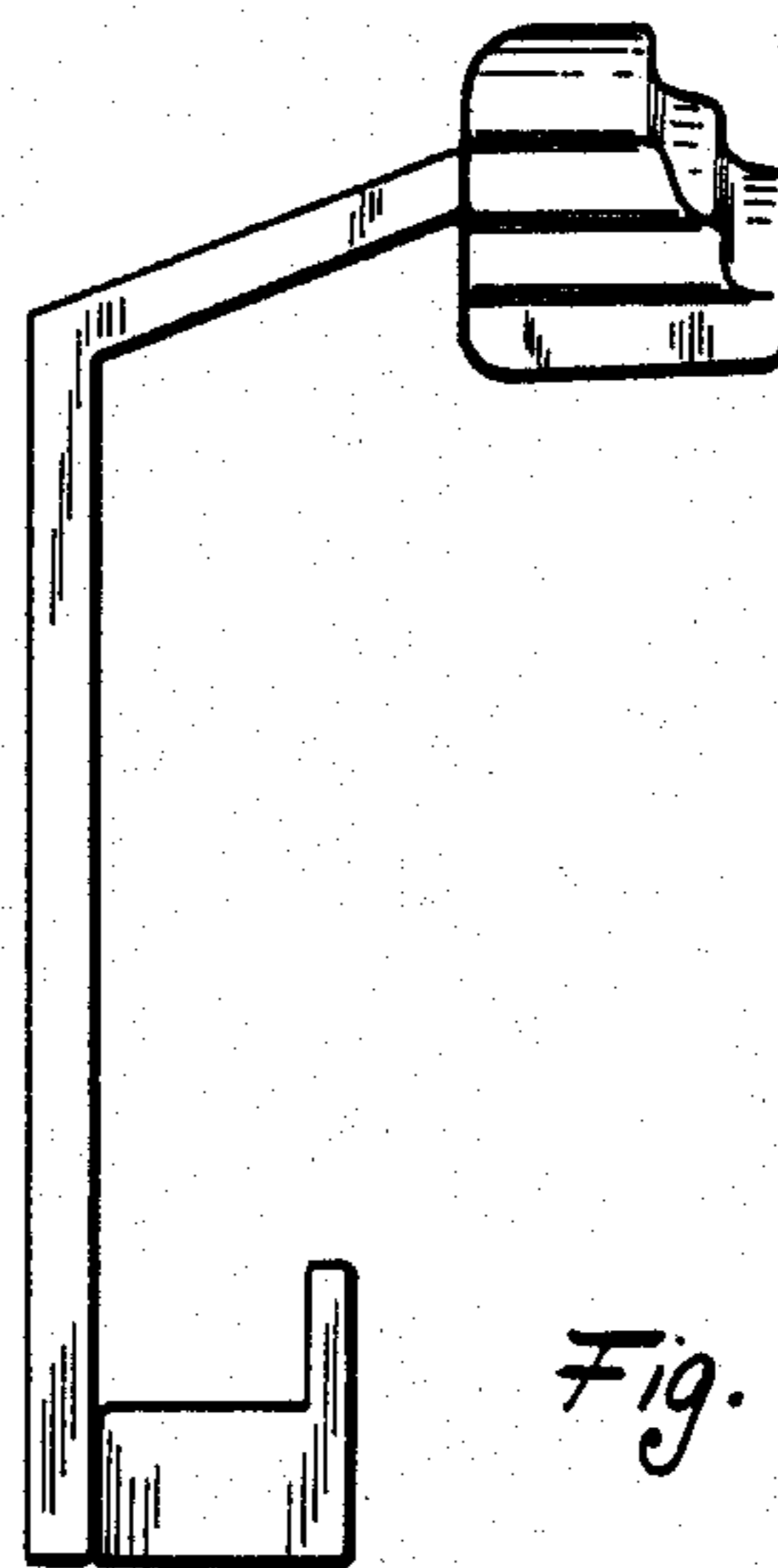


Fig. 3

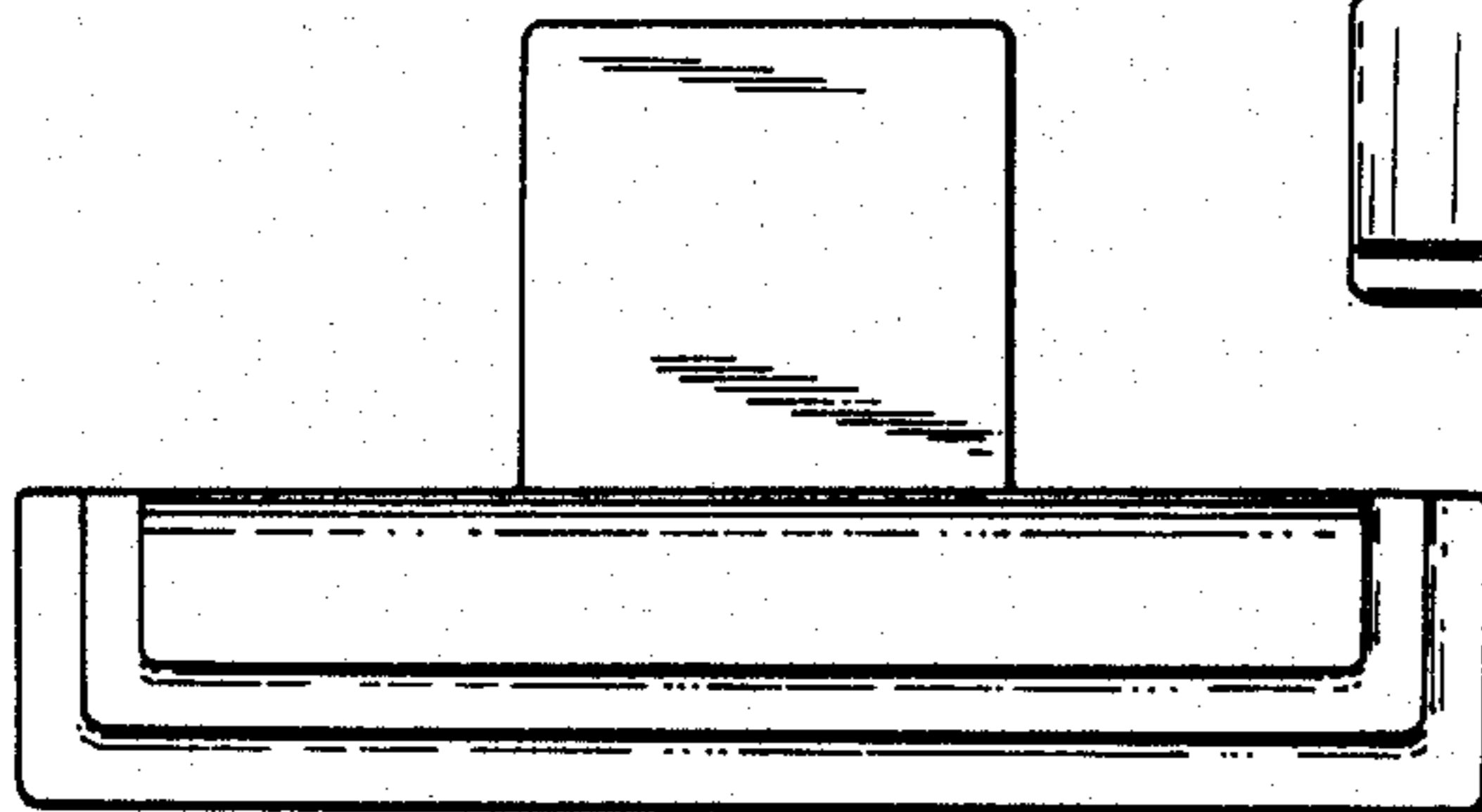


Fig. 4

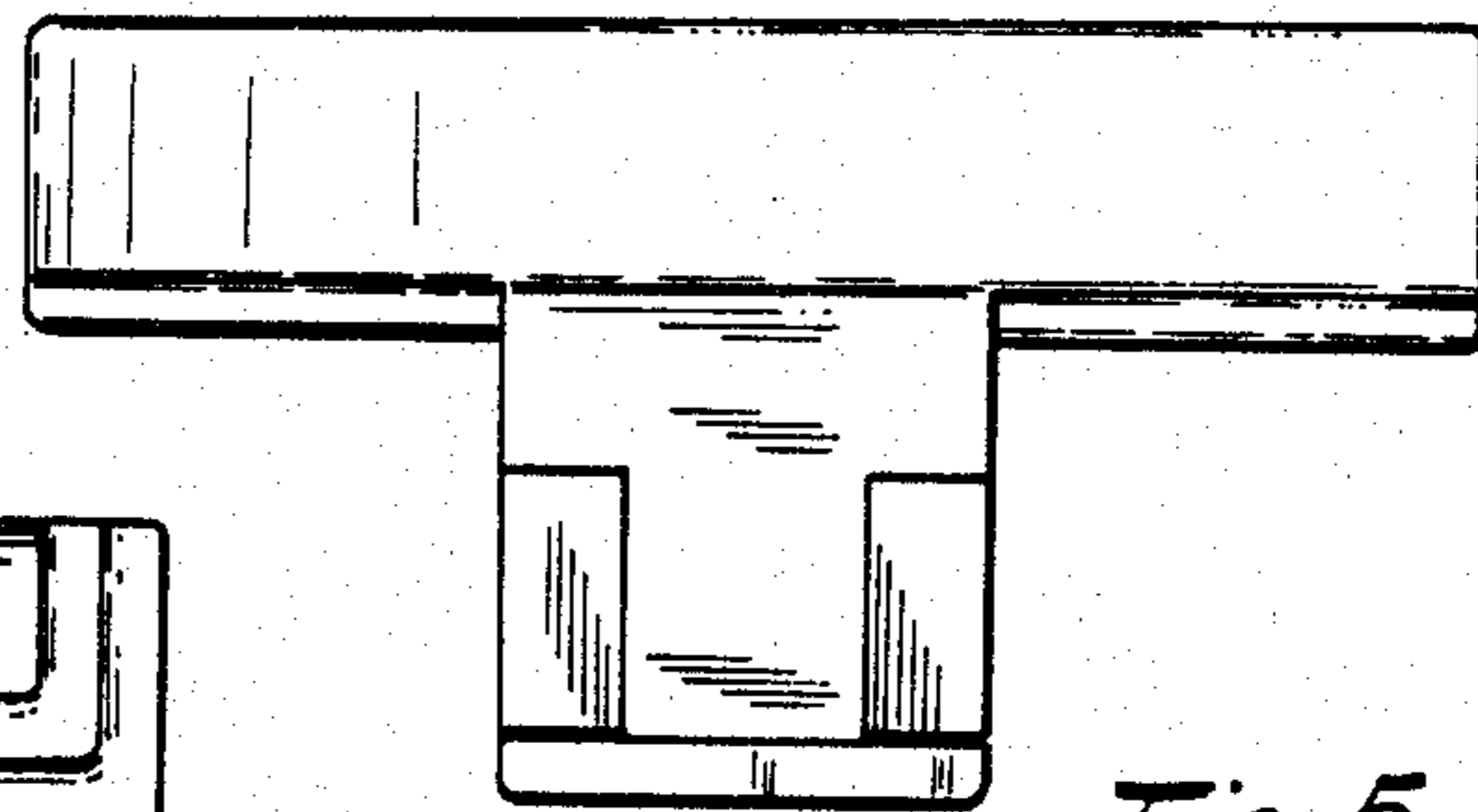


Fig. 5