

[54] SHOE POLISHING SET

[76] Inventor: Henry C. H. Cheung, Room 604, Mary Building, 71 Peking Road, Kowloon, Hong Kong

[\*\*] Term: 14 Years

[21] Appl. No.: 847,025

[22] Filed: Mar. 27, 1986

[30] Foreign Application Priority Data

Sep. 30, 1985 [GB] United Kingdom ..... 1029561  
[52] U.S. Cl. .... D4/102; D4/100; D4/127; D32/14.1

[58] Field of Search ..... D4/100-103, D4/119-120, 137; 15/28-30, 36; D32/14.1; 401/123, 125, 131

[56] References Cited

U.S. PATENT DOCUMENTS

D. 199,301 10/1964 Brickman ..... D4/102  
2,014,119 9/1935 Stecker ..... 15/230  
2,869,168 1/1959 Morneault ..... 401/18

FOREIGN PATENT DOCUMENTS

470328 4/1952 Italy ..... 15/29

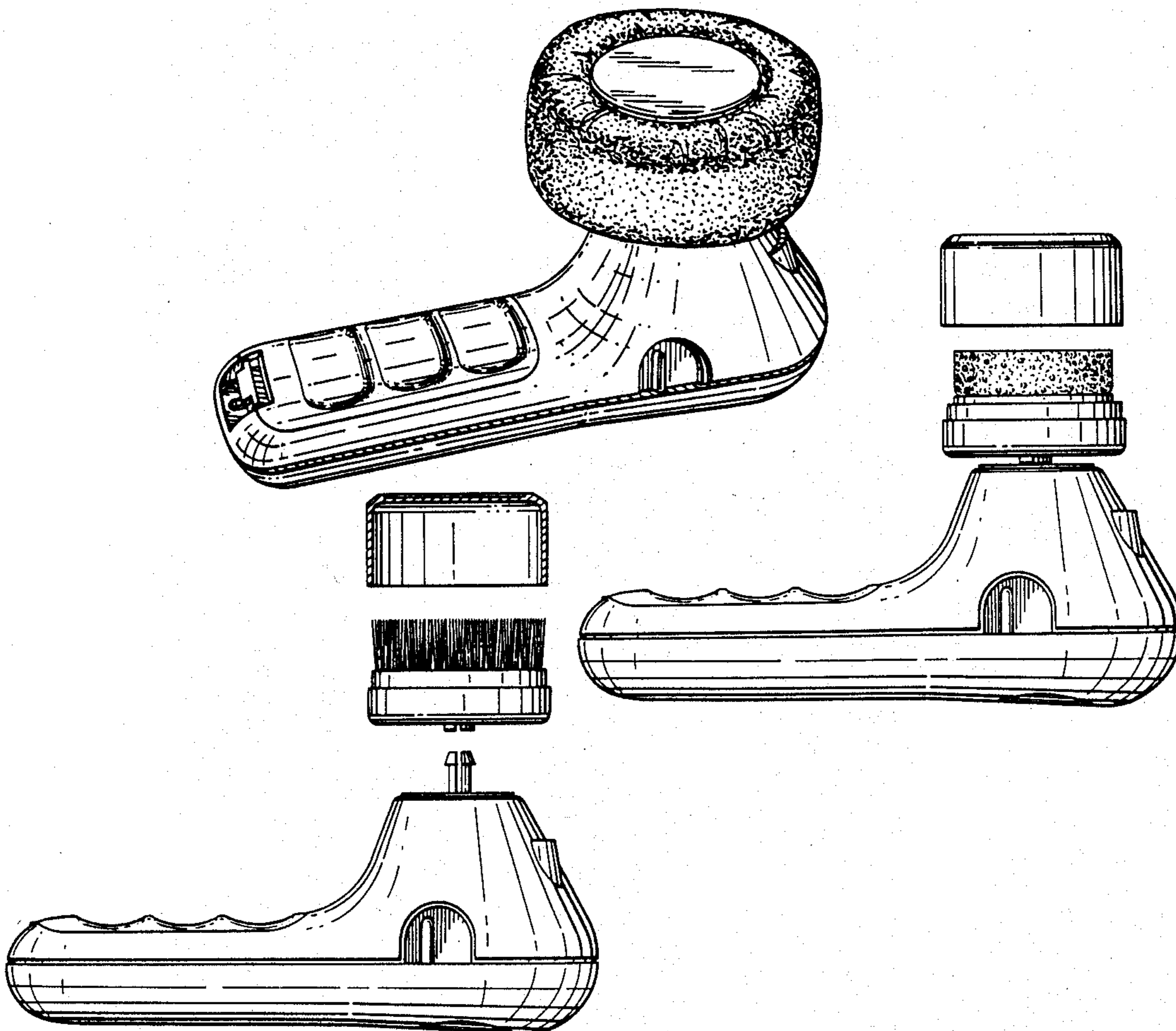
Primary Examiner—Wallace R. Burke  
Assistant Examiner—Lavone D. Tabor  
Attorney, Agent, or Firm—Pollock, Vande Sande & Priddy

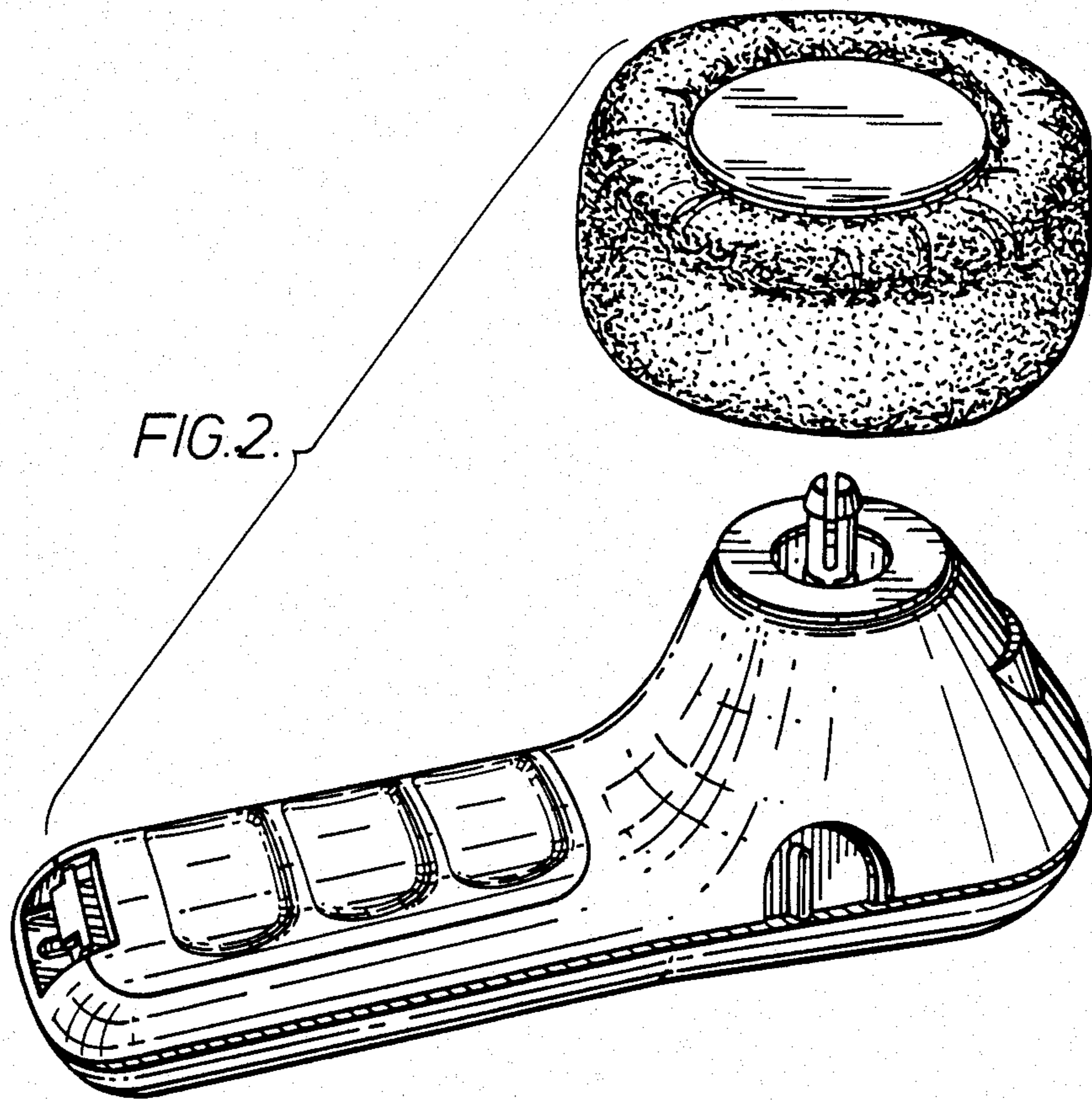
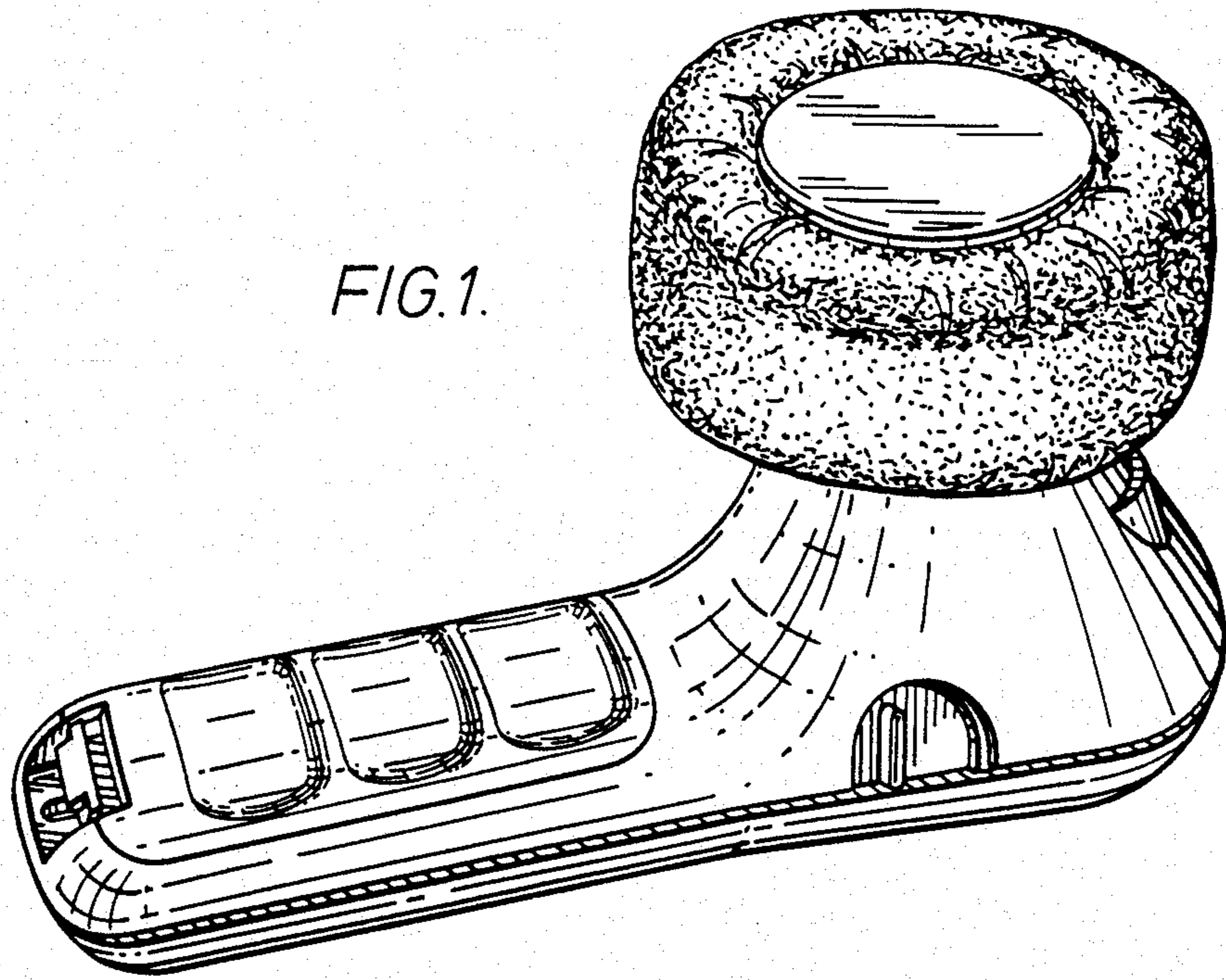
[57] CLAIM

The ornamental design for a shoe polishing set, as shown.

DESCRIPTION

FIG. 1 is a perspective view of a shoe polishing set showing my new design;  
FIG. 2 is a perspective view thereof showing the polishing wheel in separated condition.  
FIGS. 3 and 4 are respective end elevational views thereof as shown in FIG. 1.  
FIGS. 5 and 6 are respective top and bottom plan views thereof.  
FIGS. 7 and 8 are respective side elevational views thereof.  
FIG. 9 is a side elevational view thereof showing an alternate application and cap member.  
FIG. 10 is a side elevational view thereof showing the cap member in separated condition.  
FIG. 11 is a side elevational view thereof showing another alternate form of the applicator and the cap member in separated condition.







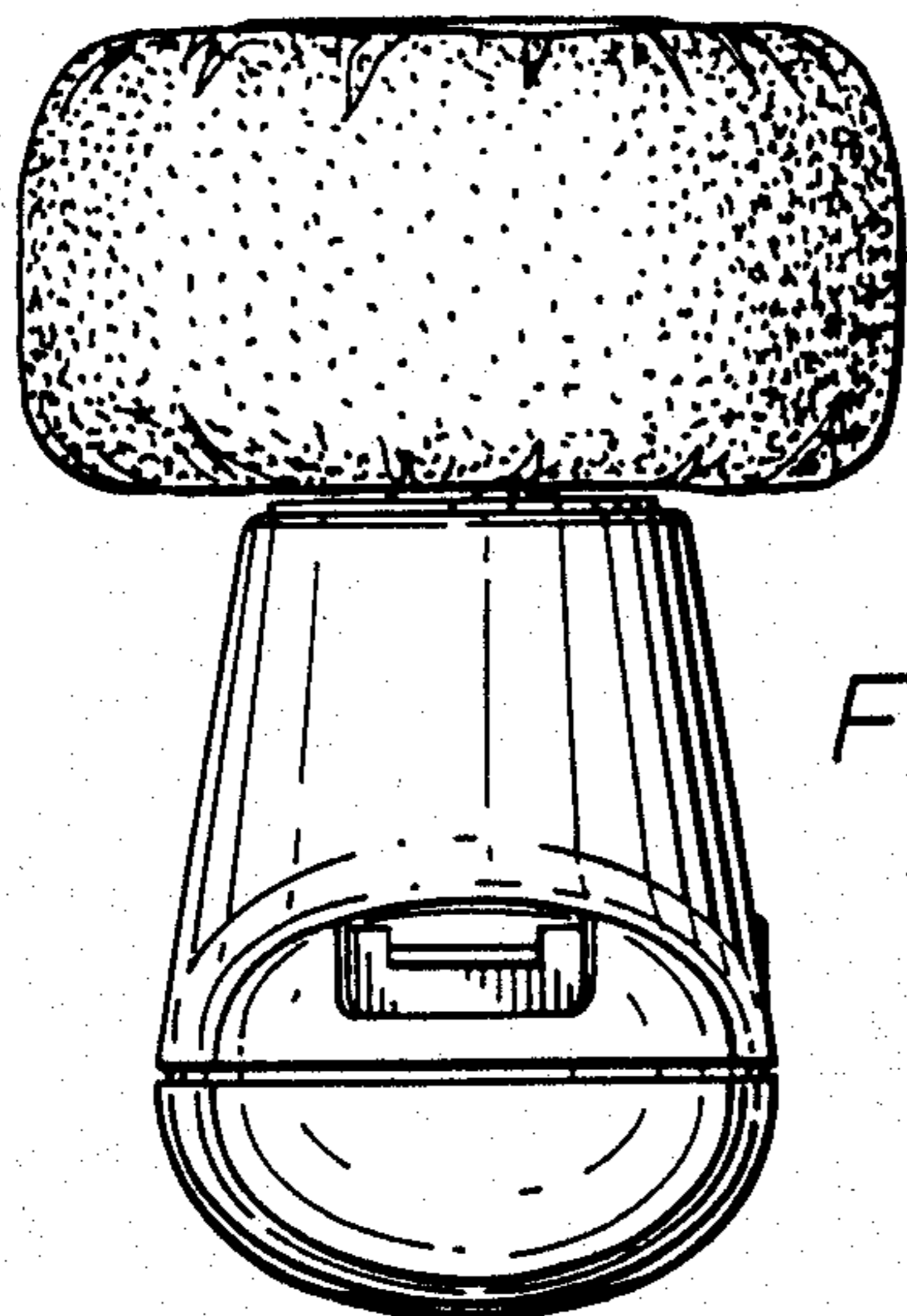


FIG. 3.

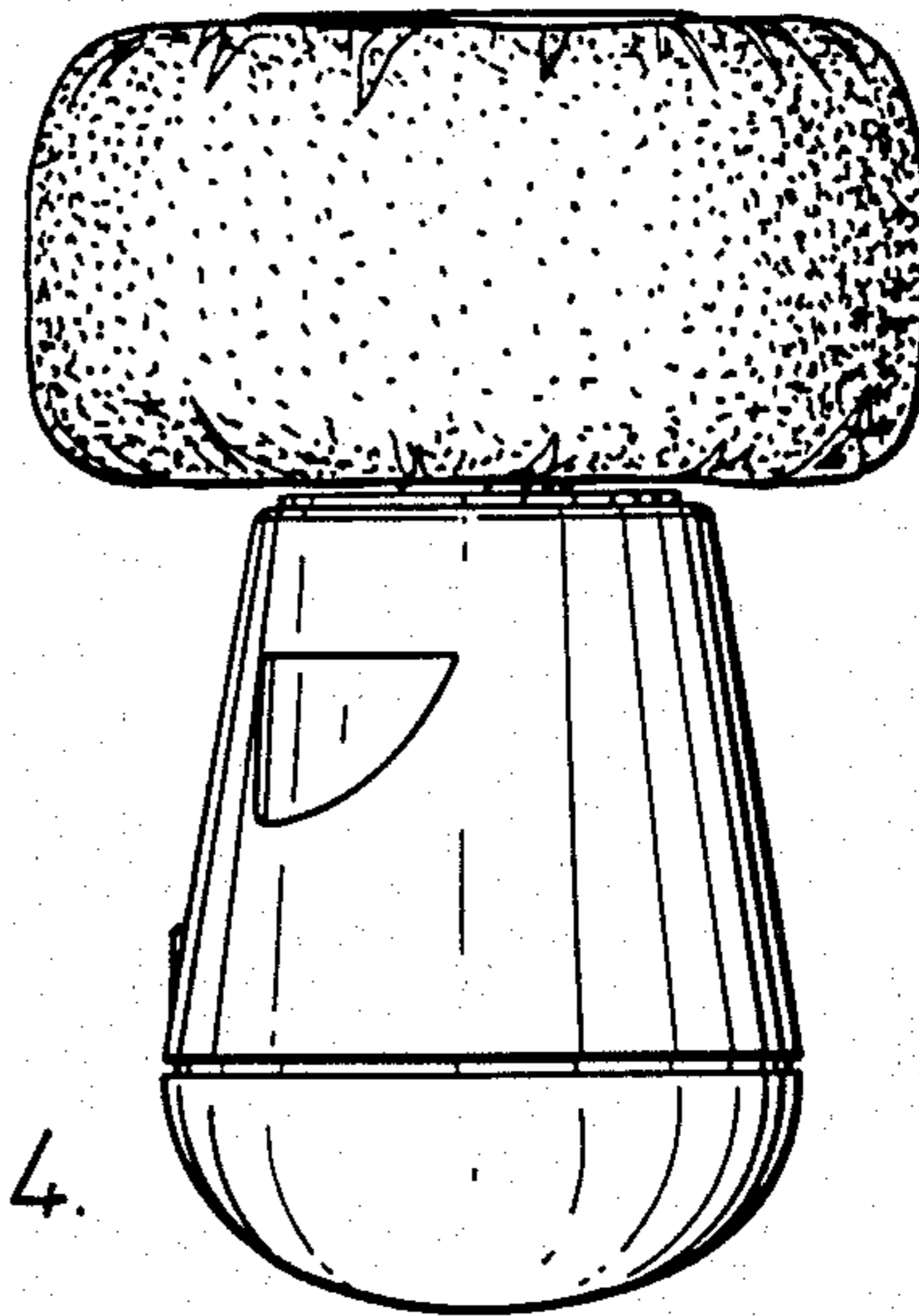


FIG. 4.

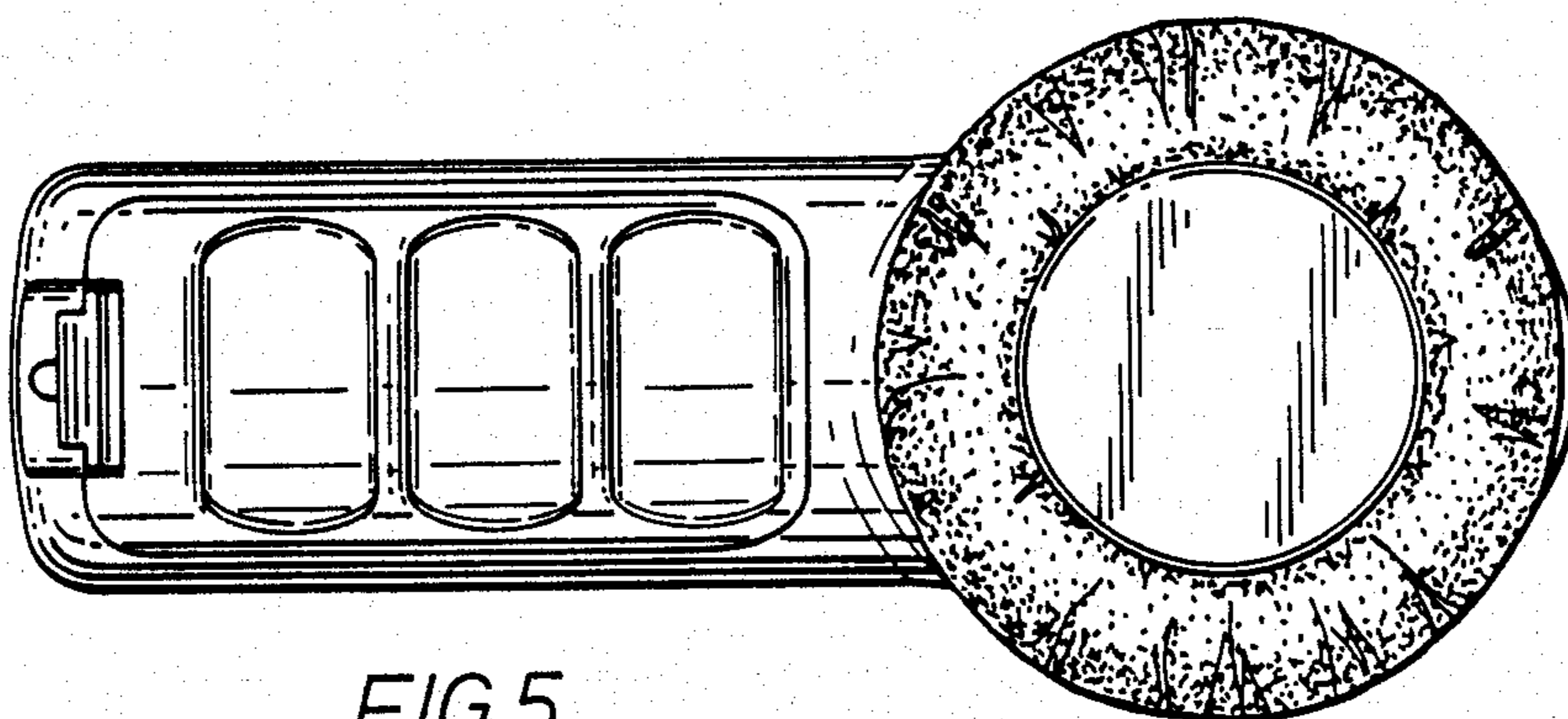


FIG. 5.

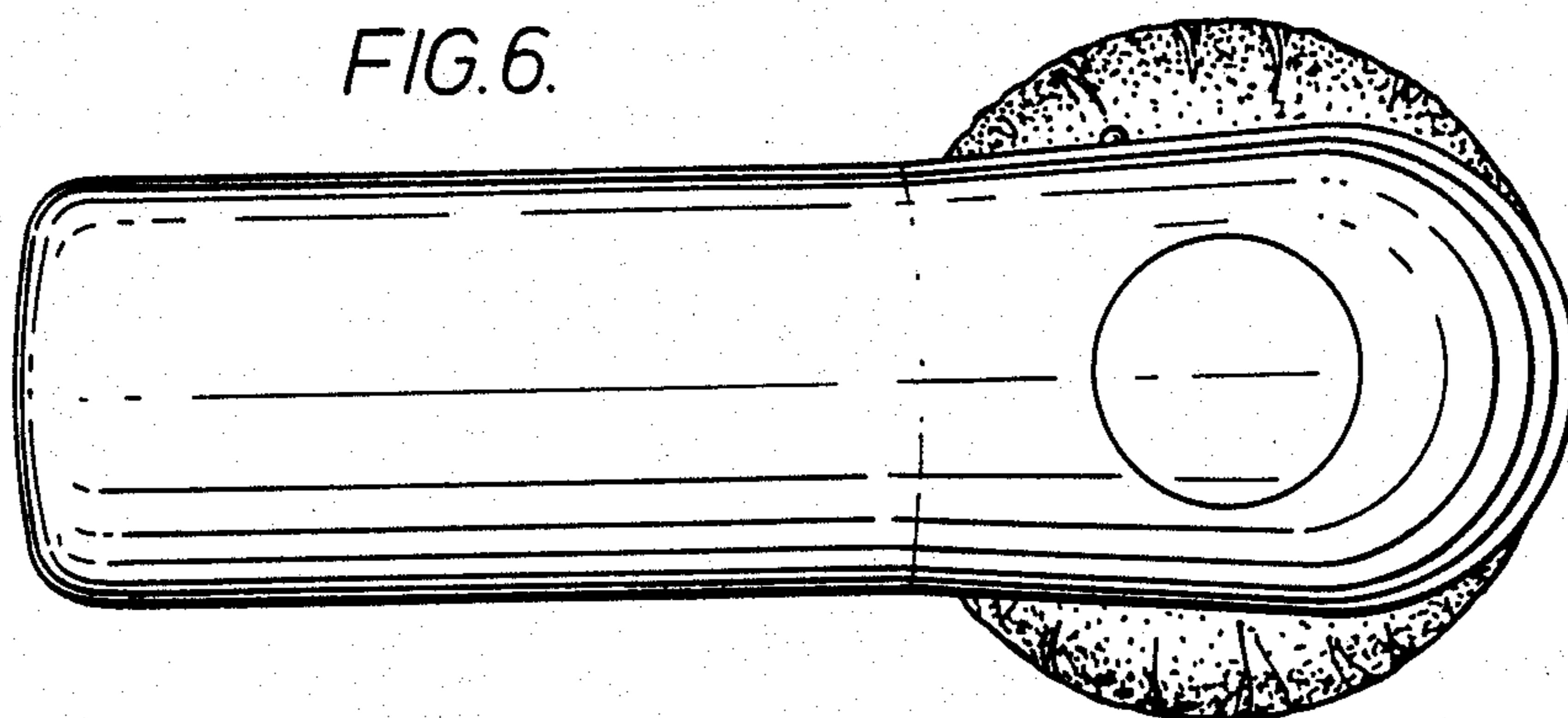


FIG. 6.

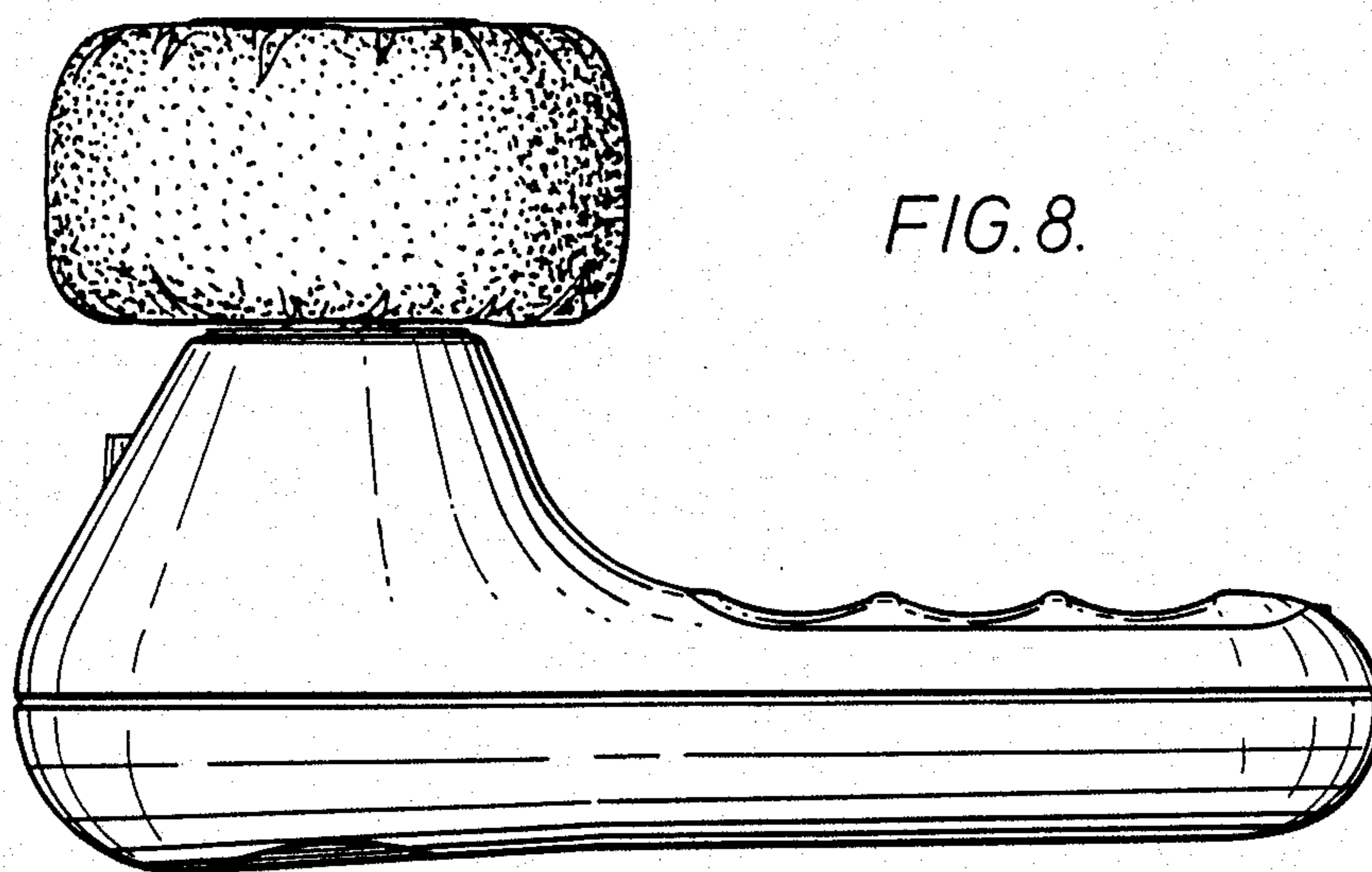
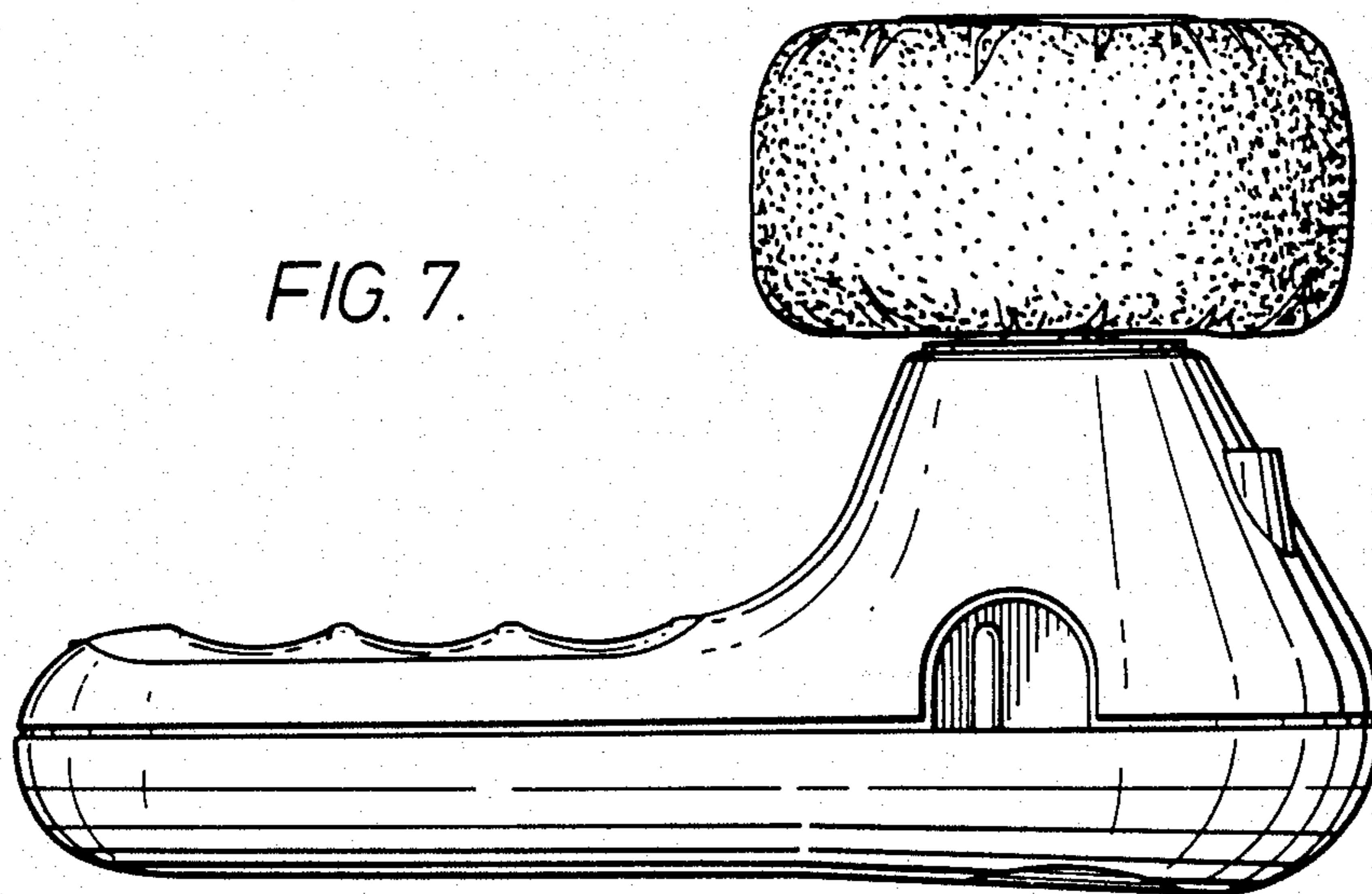


FIG. 9.

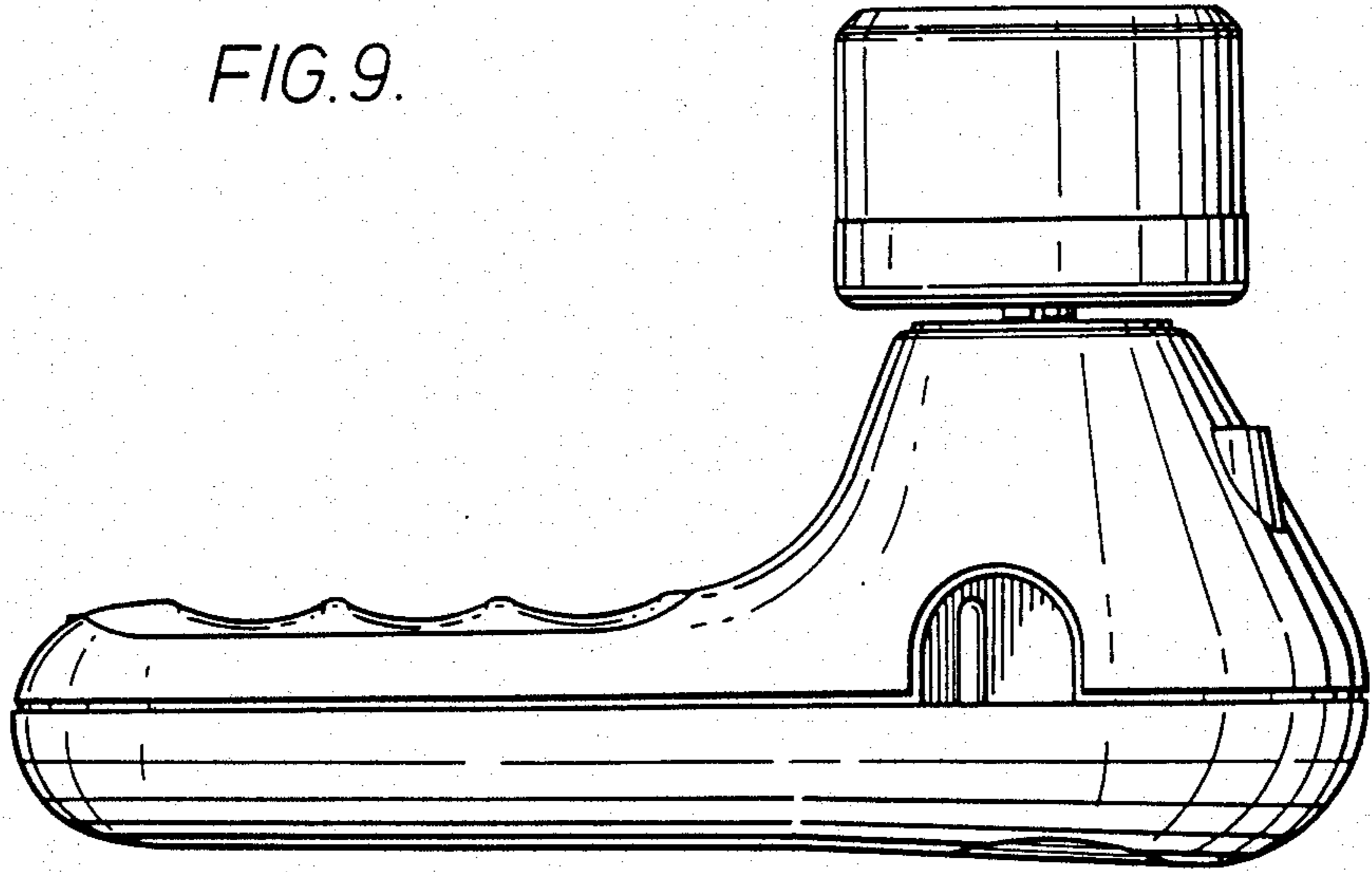


FIG. 10.

