

[54] MOISTURE/HEAT EXCHANGER FOR RESPIRATORY APPARATUS OR SIMILAR ARTICLE

[75] Inventor: Hans R. Lambert, Stockholm, Sweden

[73] Assignee: Louis Gibeck AB, Sweden

[\*\*] Term: 14 Years

[21] Appl. No.: 828,511

[22] Filed: Feb. 12, 1986

[30] Foreign Application Priority Data

Aug. 14, 1985 [SE] Sweden ..... 1911/85

[52] U.S. Cl. .... D24/52; D23/314; D24/21

[58] Field of Search ..... D23/314, 323, 380, 386; 165/140, 160-168; D24/52, 21, 62; D29/7; 128/204.15, 204.16, 203.16, 203.17, 203.26, 203.27

[56] References Cited

U.S. PATENT DOCUMENTS

D. 253,721 12/1979 Gibeck ..... D24/21 X  
4,621,632 11/1986 Bartels et al. .... 128/203.17

FOREIGN PATENT DOCUMENTS

1111766 9/1984 United Kingdom ..... 128/204.15

Primary Examiner—Susan J. Lucas

Attorney, Agent, or Firm—Hill, Van Santen, Steadman & Simpson

[57] CLAIM

The ornamental design for a moisture/heat exchanger for respiratory apparatus or similar article, as shown and described.

DESCRIPTION

FIG. 1 is a side perspective view of a moisture/heat exchanger for respiratory apparatus or similar article showing my new design;

FIG. 2 is an opposite side perspective view thereof;

FIG. 3 is a side elevational view thereof;

FIG. 4 is a top plan view thereof;

FIG. 5 is a bottom plan view thereof.

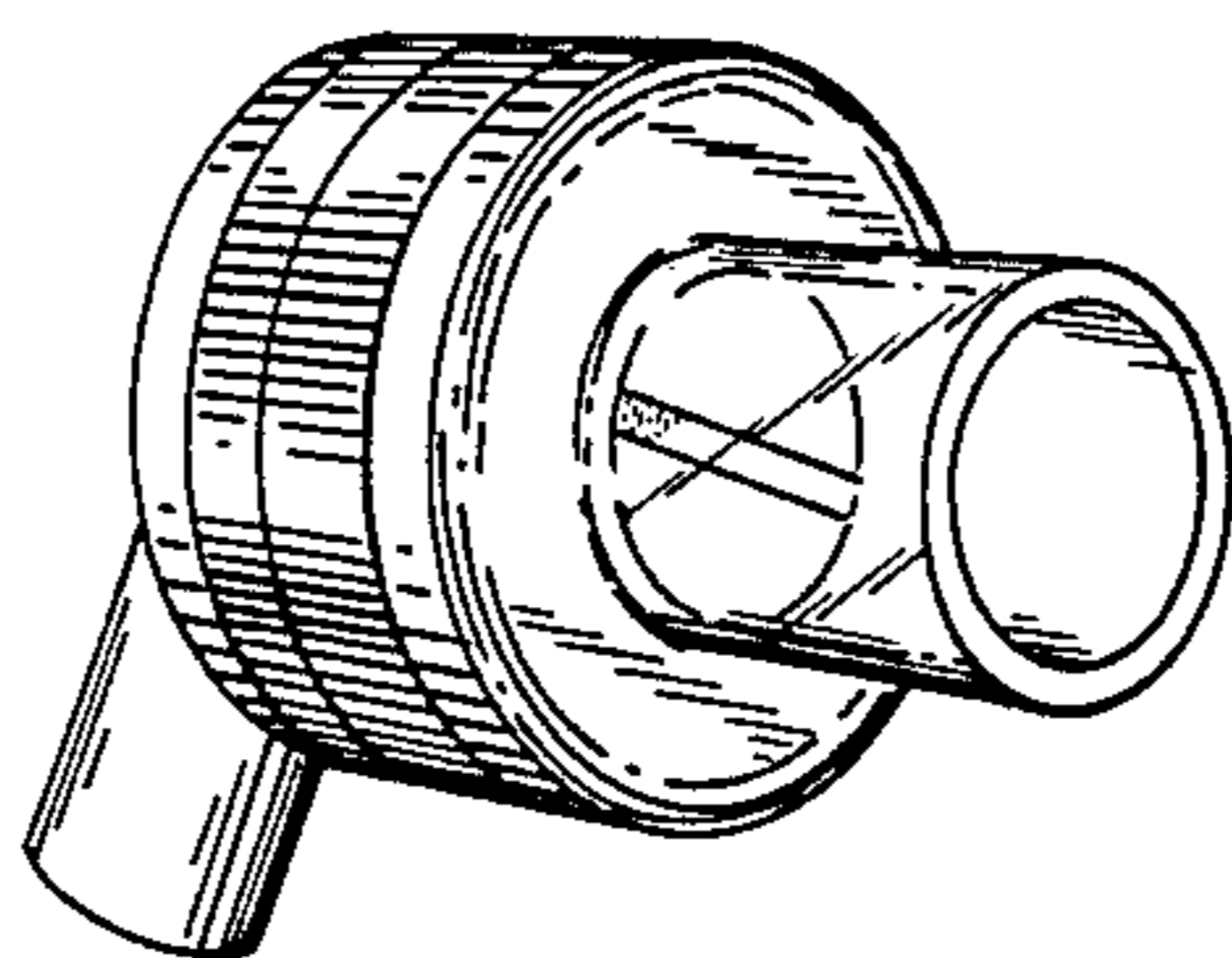
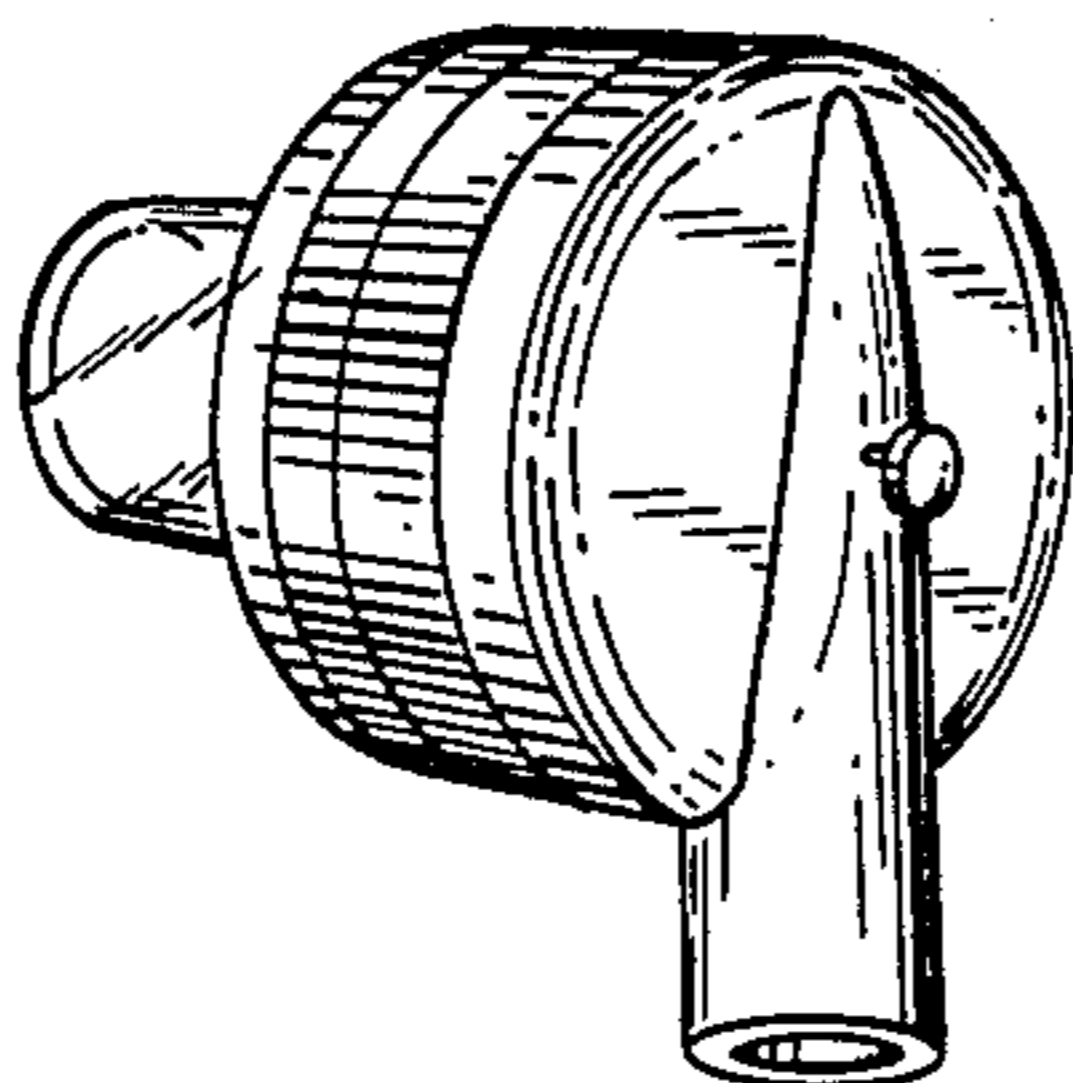


FIG. 1

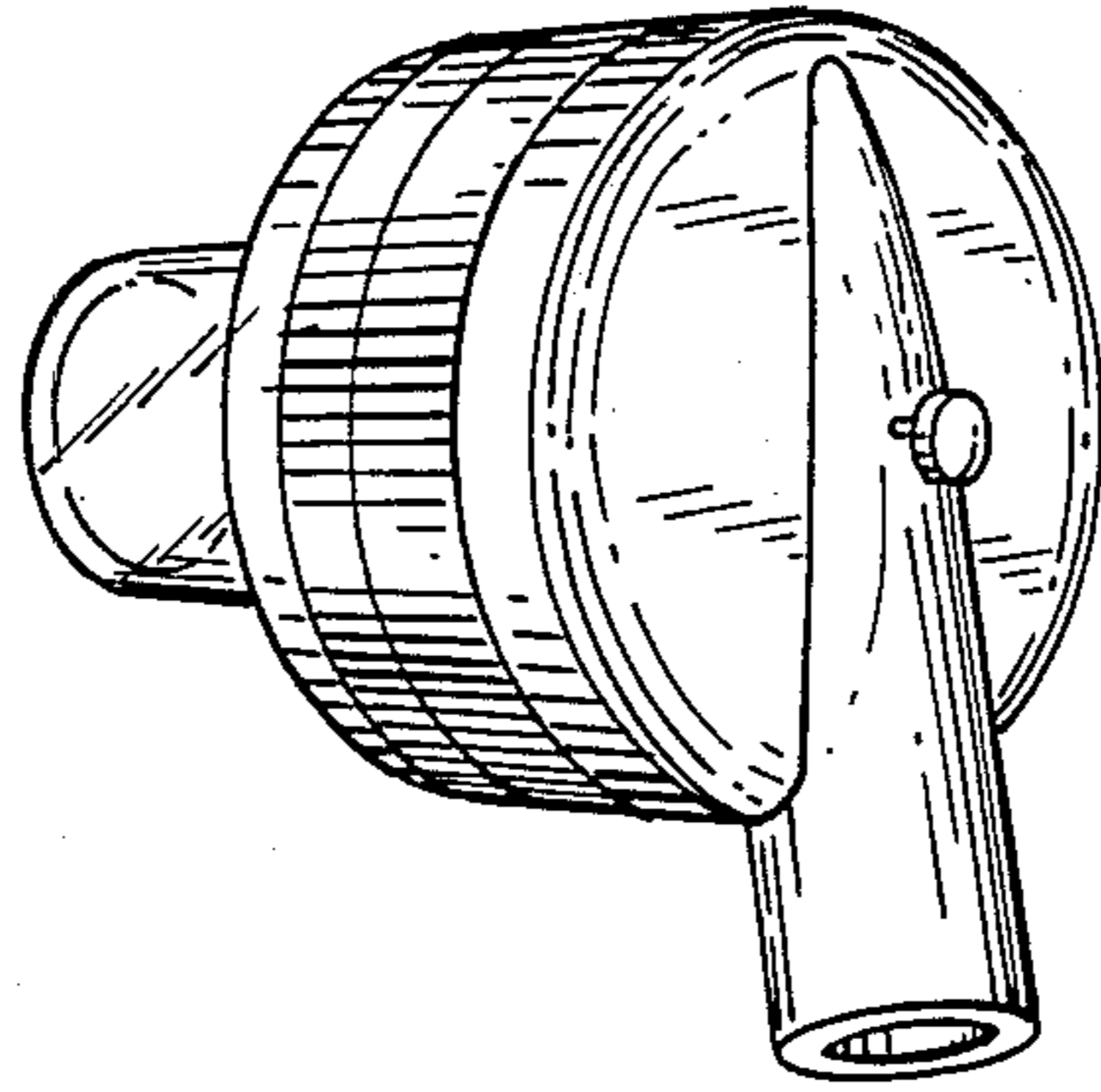
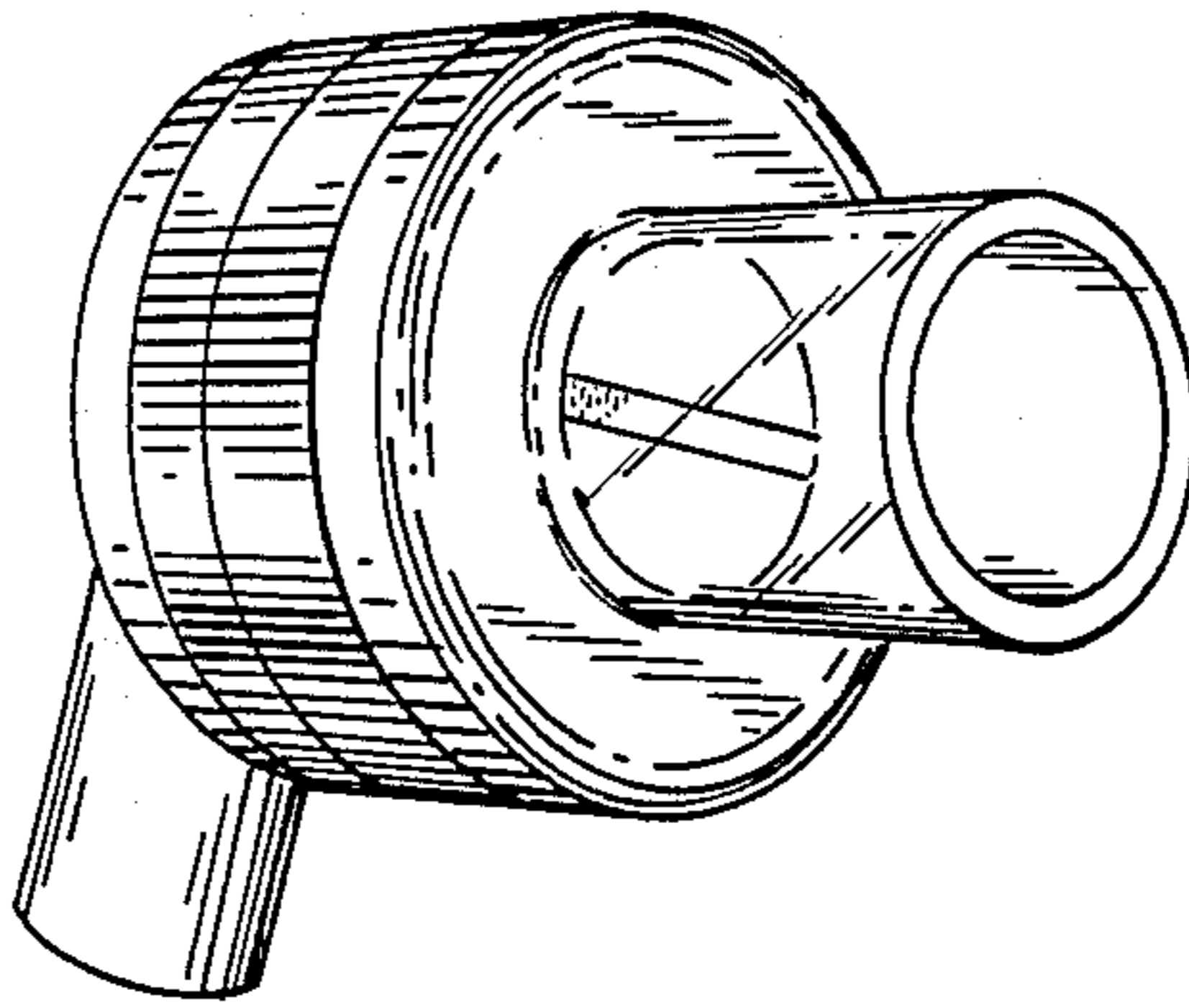


FIG. 2



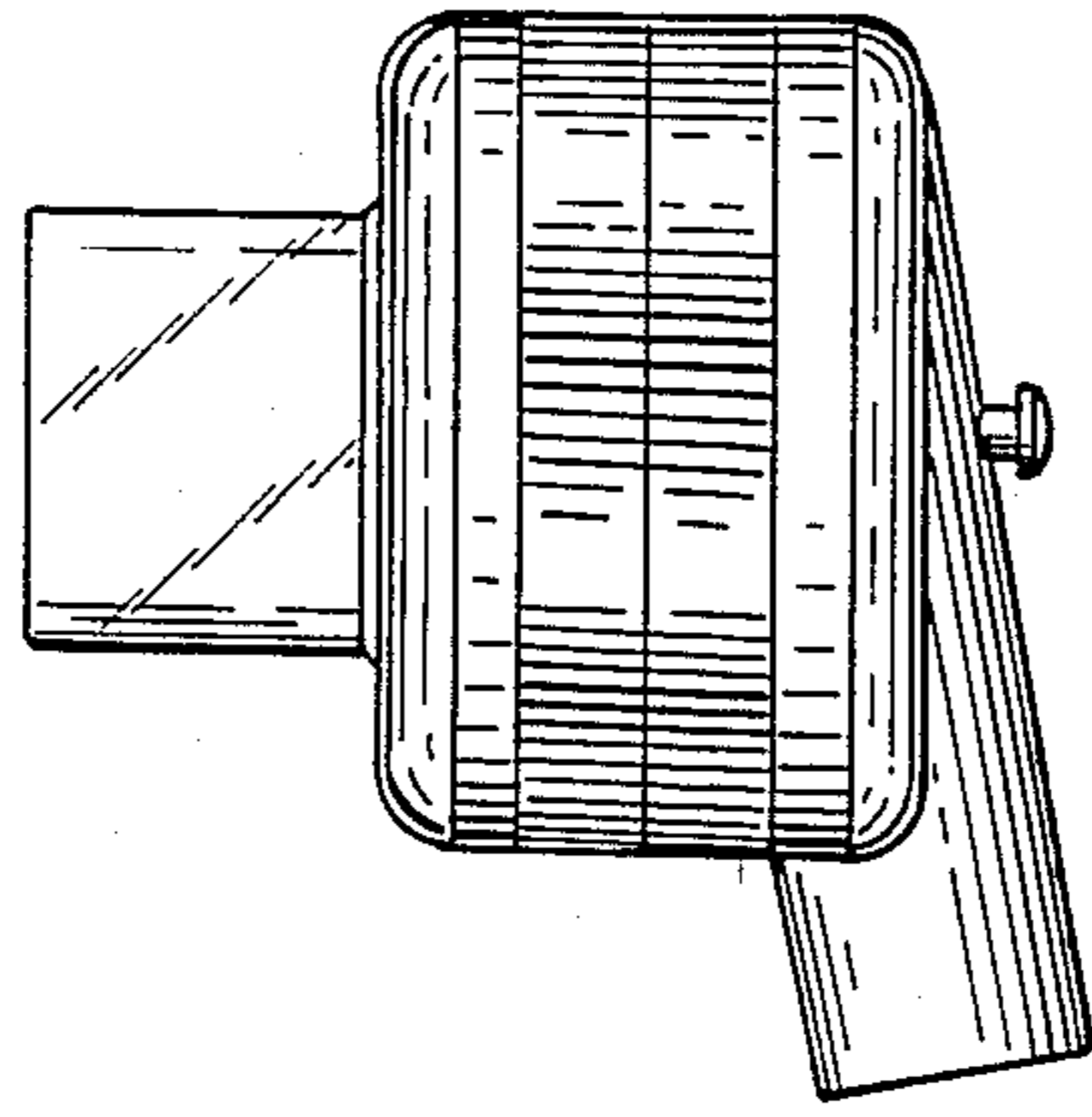


FIG. 3

FIG. 4

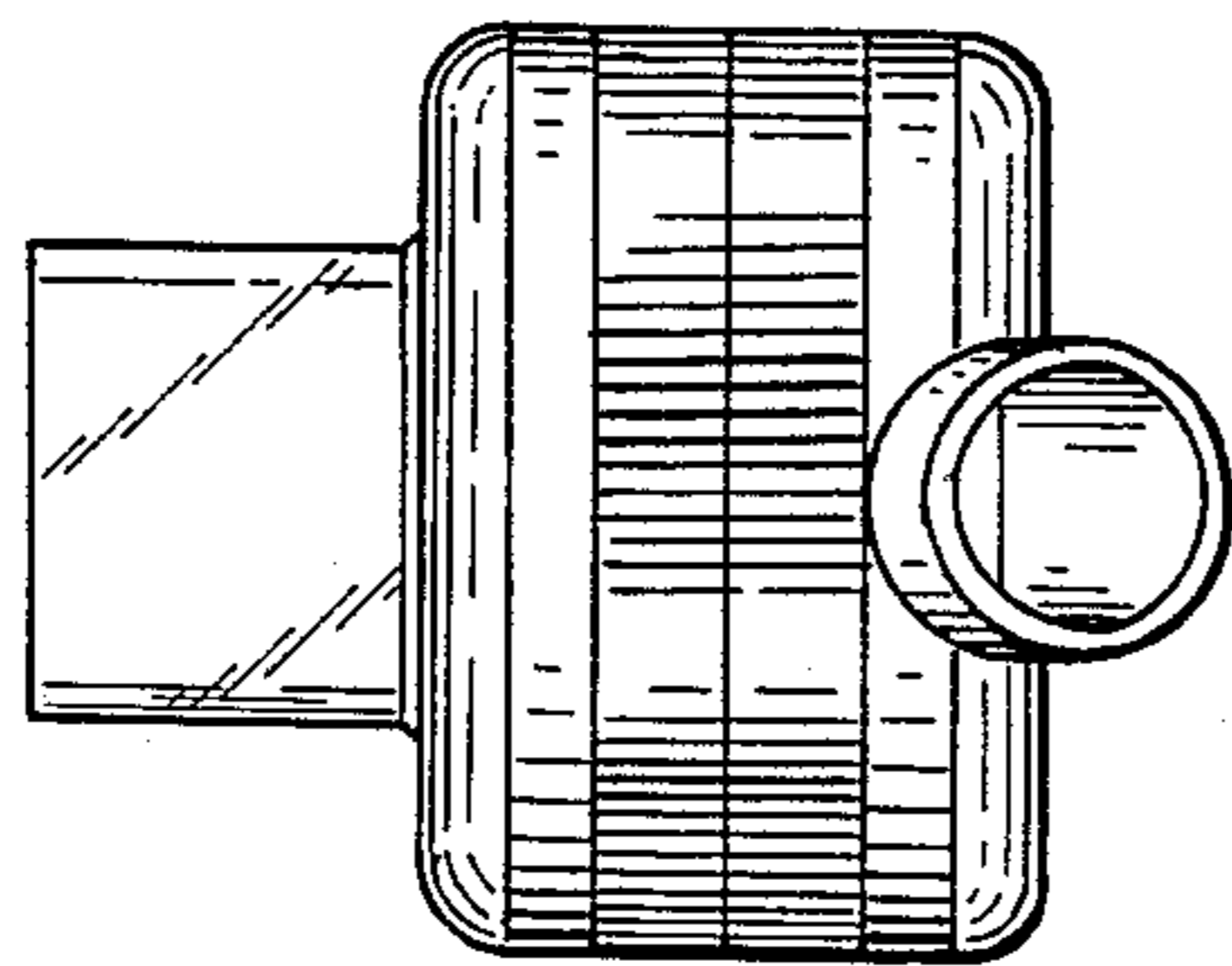
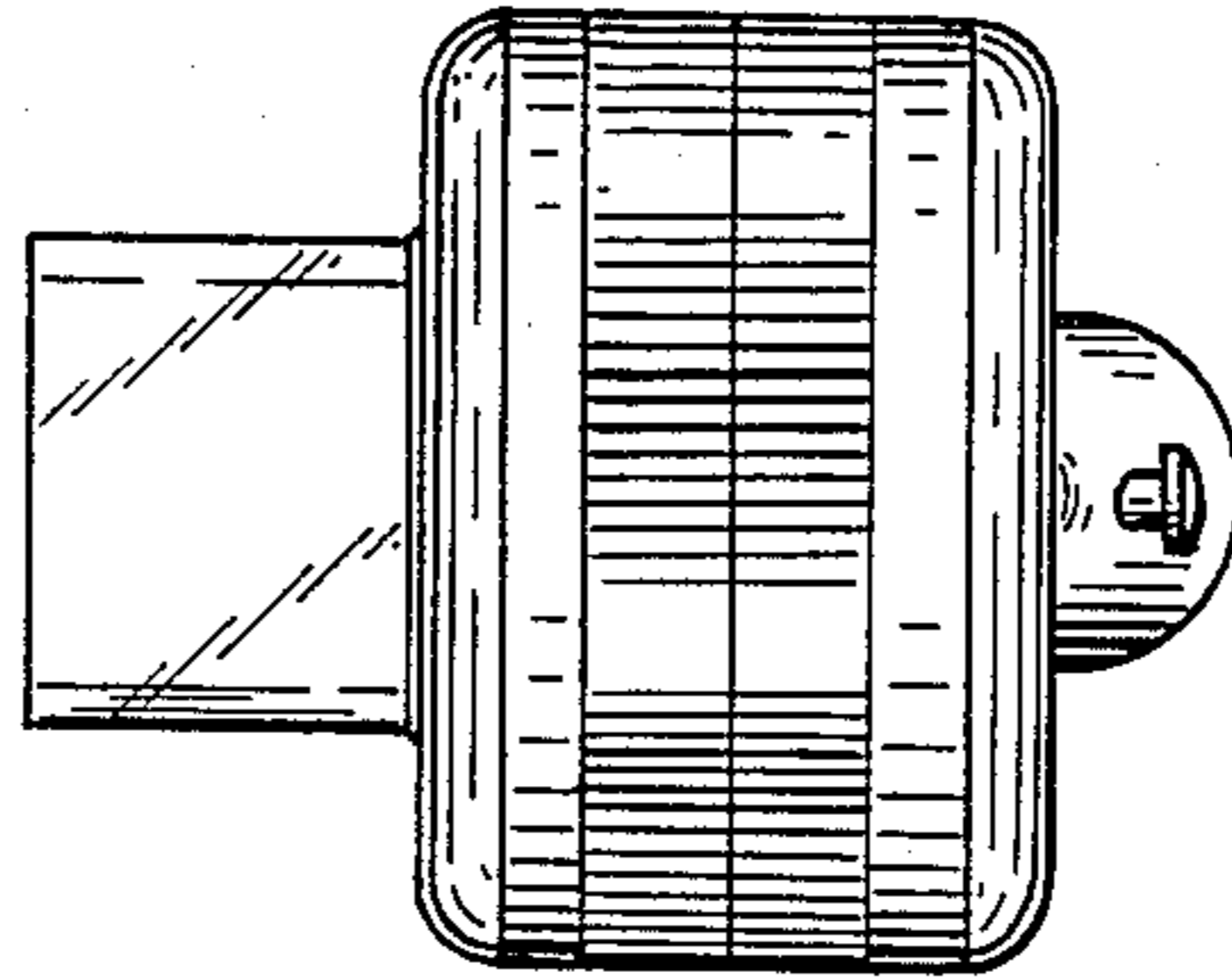


FIG. 5