

[54] WHIRLPOOL-SPA

[75] Inventor: Ralph D'Innocente, Walnut Creek, Calif.

[73] Assignee: Jacuzzi Inc., Little Rock, Ark.

[**] Term: 14 Years

[21] Appl. No.: 936,373

[22] Filed: Dec. 1, 1986

[52] U.S. Cl. D24/38

[58] Field of Search D24/38; 4/513, 488, 4/492, 506, 541, 542, 590, 592, 597; D25/2; D23/56, 55

[56] References Cited

U.S. PATENT DOCUMENTS

- D. 219,215 11/1970 Korol .
- D. 237,709 11/1975 Jacuzzi et al. .
- D. 251,016 2/1979 Stangle D24/38
- D. 254,870 4/1980 Ogden .
- D. 264,628 5/1982 Longmire .
- D. 265,345 7/1982 Doman .
- D. 265,922 8/1982 Jasperson .
- D. 275,597 9/1984 Lax .
- D. 283,545 4/1986 Kohler, Jr. D24/38
- D. 287,620 1/1987 Delepine D24/38

3,421,162 1/1969 Diamond et al. .

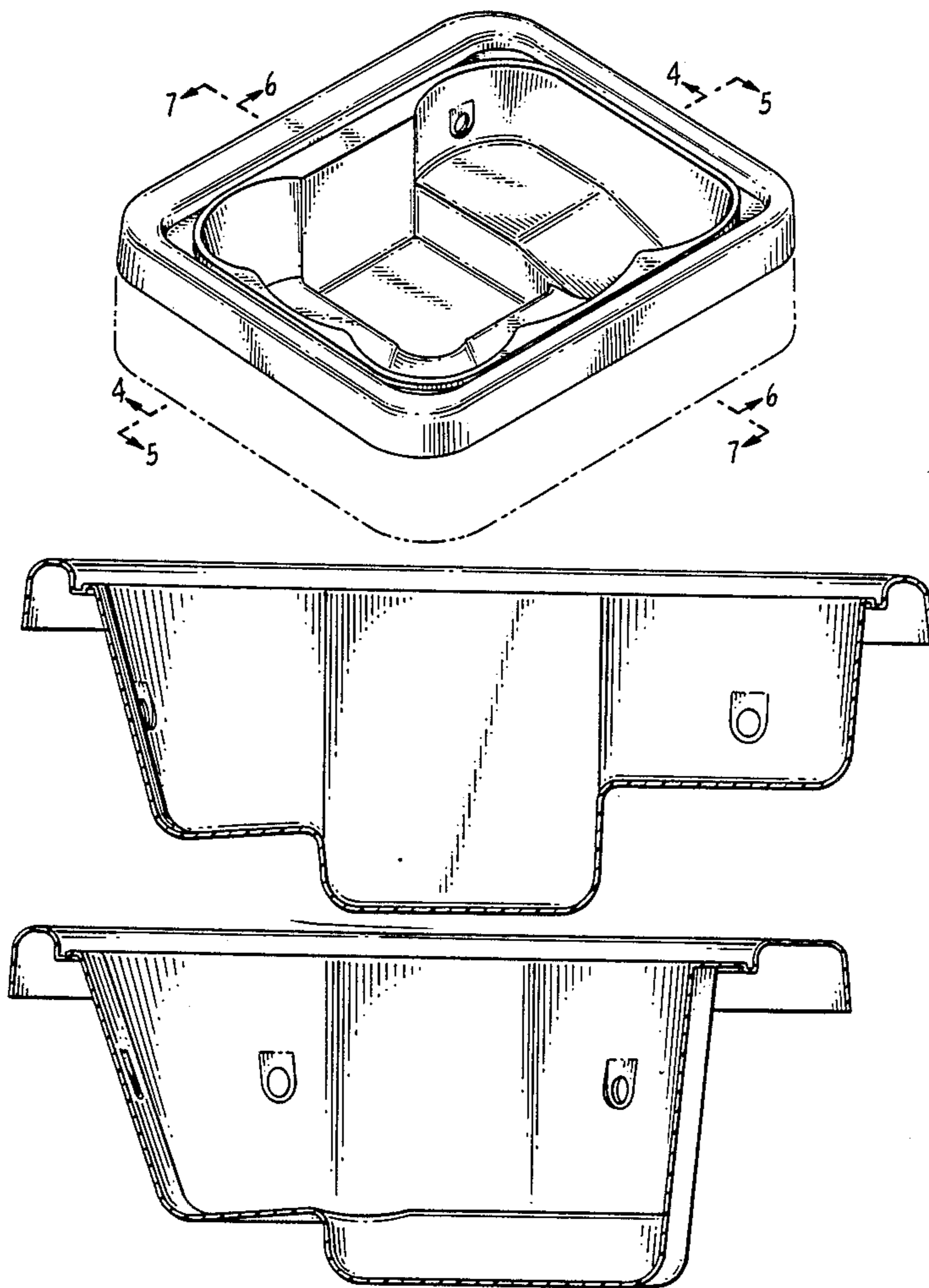
Primary Examiner—A. Hugo Word
Assistant Examiner—Stella M. Reid
Attorney, Agent, or Firm—Limbach, Limbach & Sutton

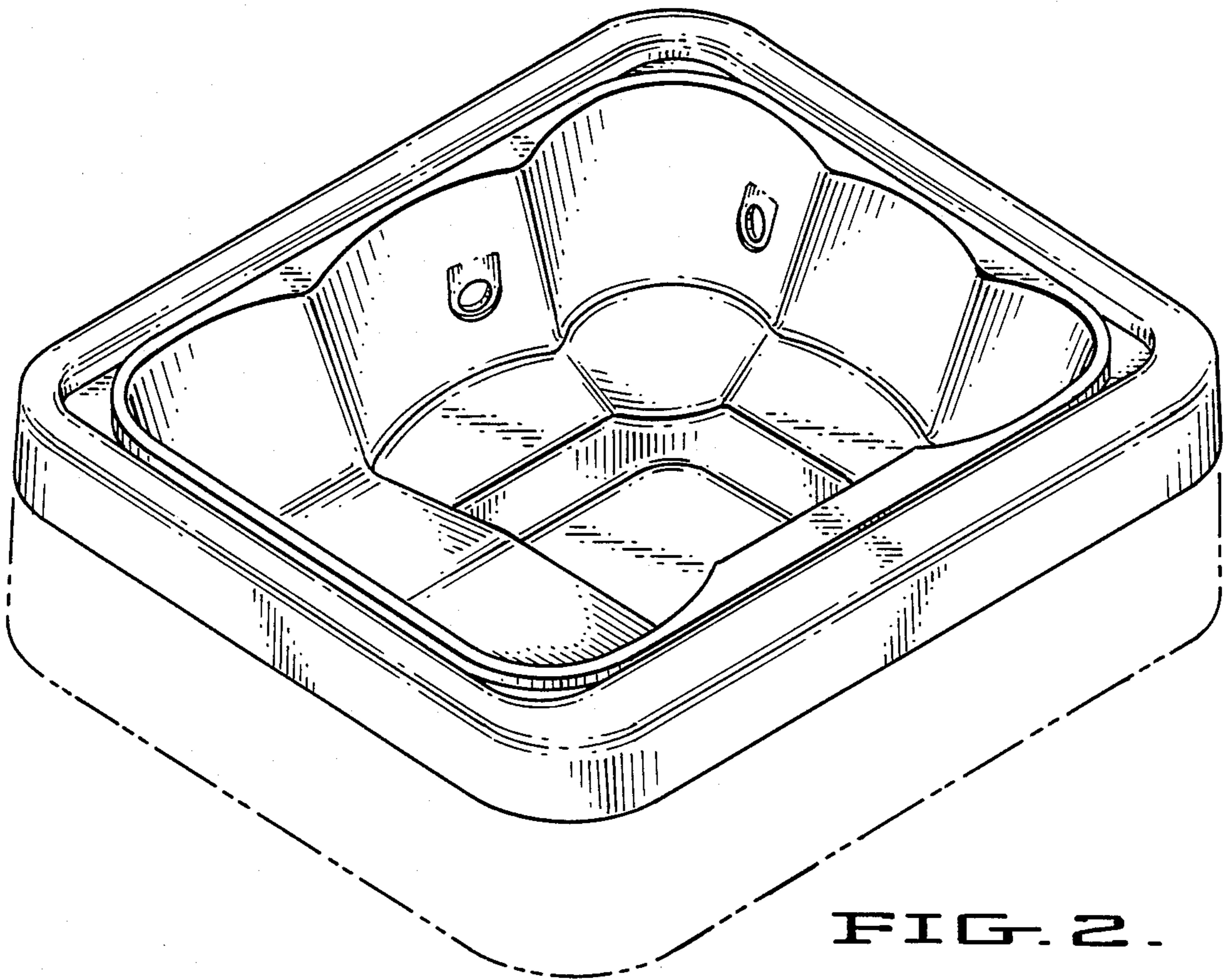
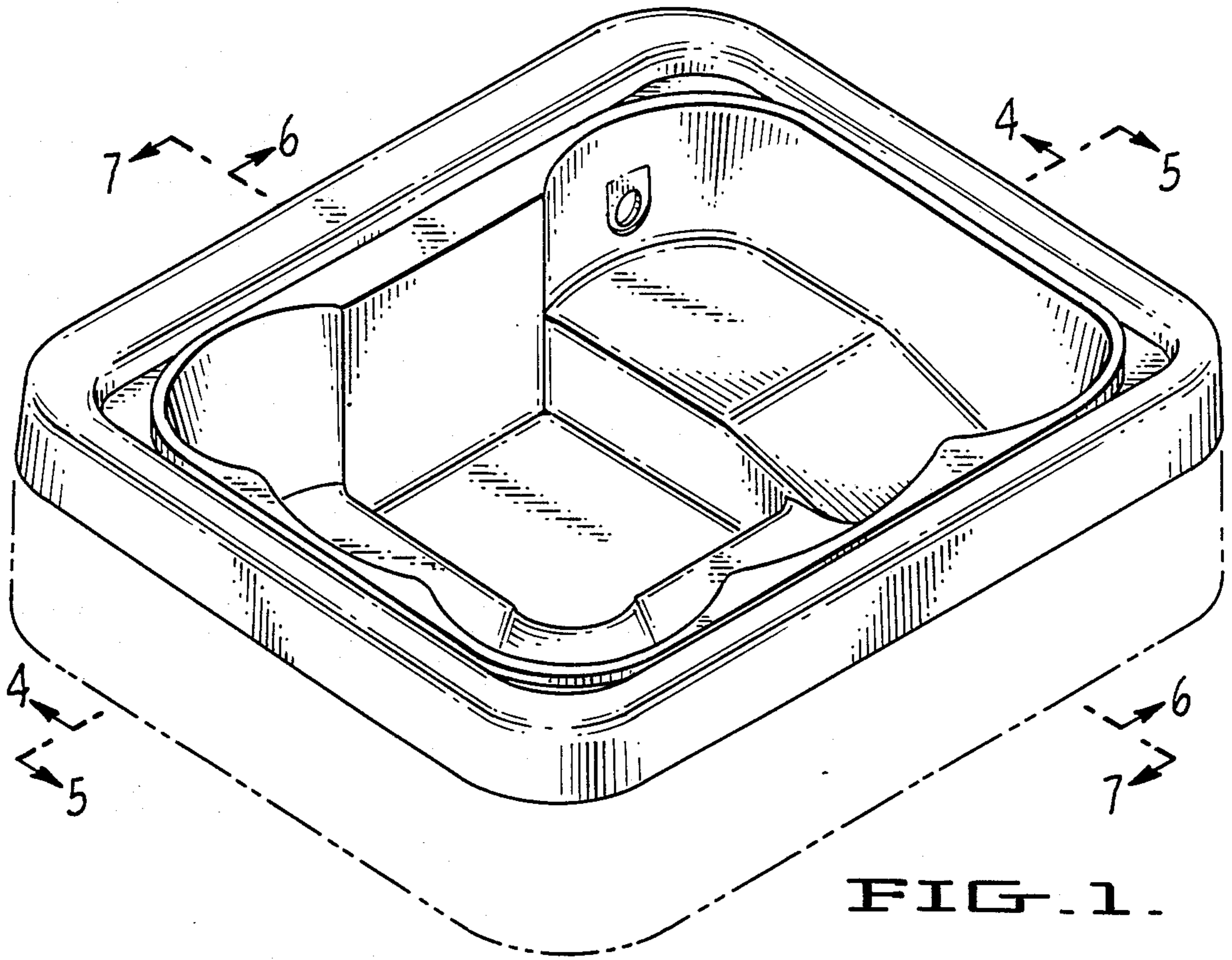
[57] CLAIM

The ornamental design for a Whirlpool-Spa, as shown and described.

DESCRIPTION

FIG. 1 is a perspective view of a Whirlpool-Spa showing my new design;
FIG. 2 is a second perspective view thereof;
FIG. 3 is a top plan view thereof;
FIG. 4 is a cross-sectional view, taken on line 4—4 of FIG. 1;
FIG. 5 is a cross-sectional view, taken on line 5—5 of FIG. 1;
FIG. 6 is a cross-sectional view, taken on line 6—6 of FIG. 1; and
FIG. 7 is a cross-sectional view, taken on line 7—7 of FIG. 1.
The fragmentary broken-line representations in FIGS. 1 and 2 illustrate a skirt forming part of the environmental structure which may be used with the Whirlpool-Spa of my new design and are for purposes of illustration only.





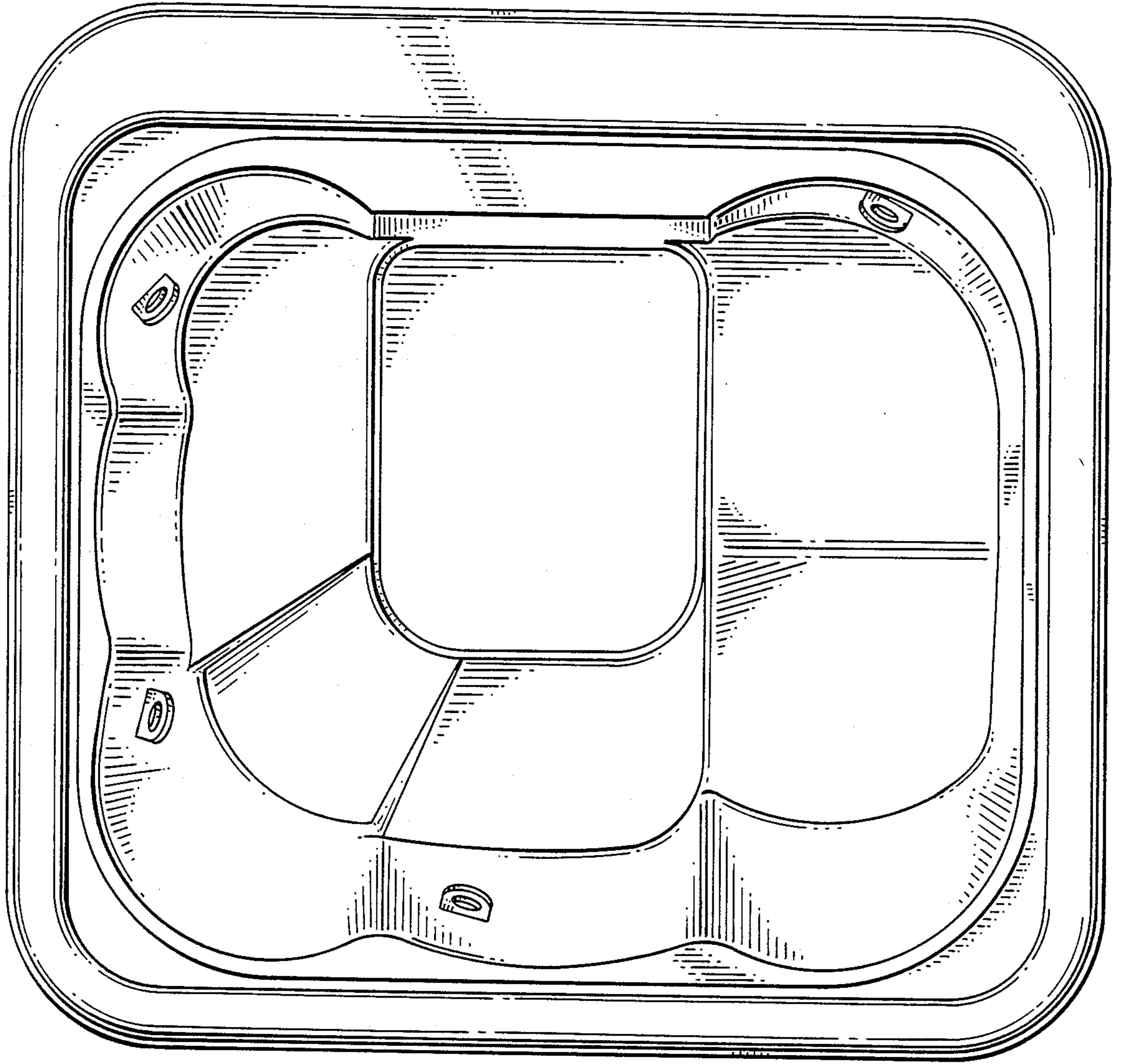


FIG. 3

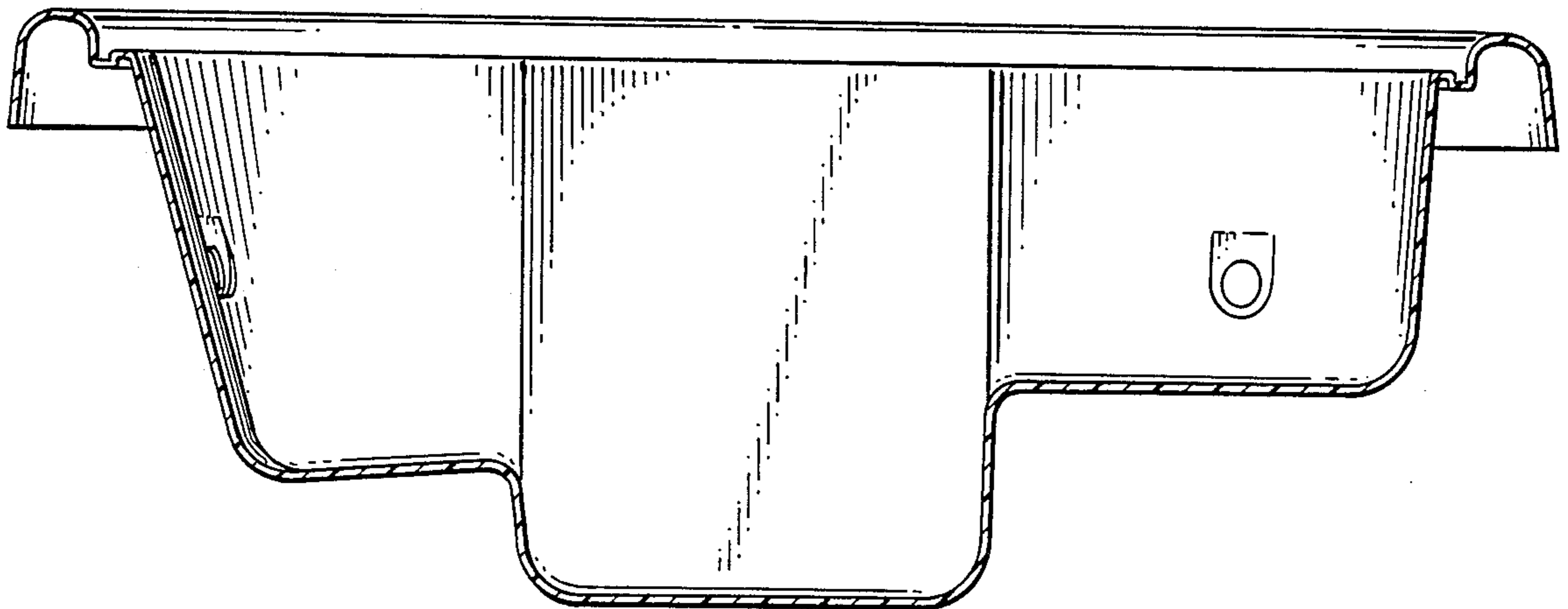


FIG. 4.

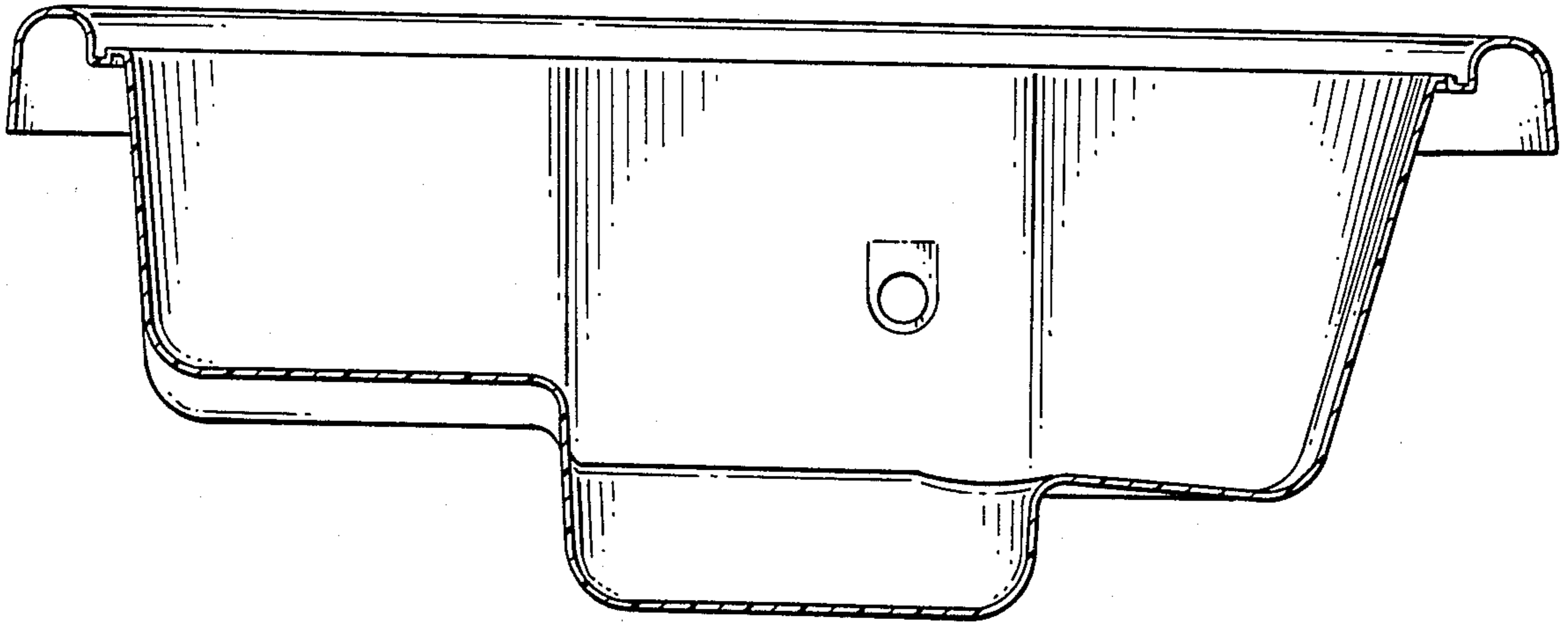


FIG. 5.

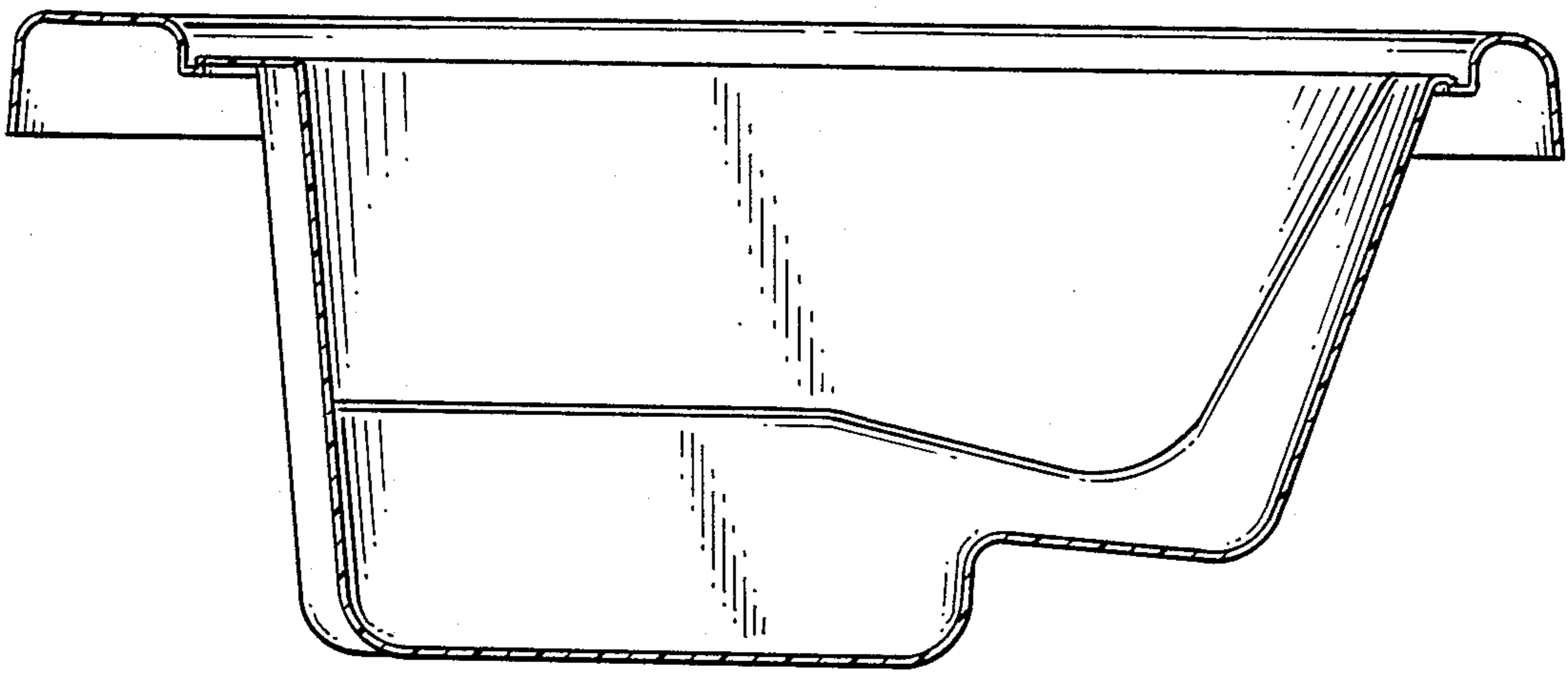


FIG. 6.

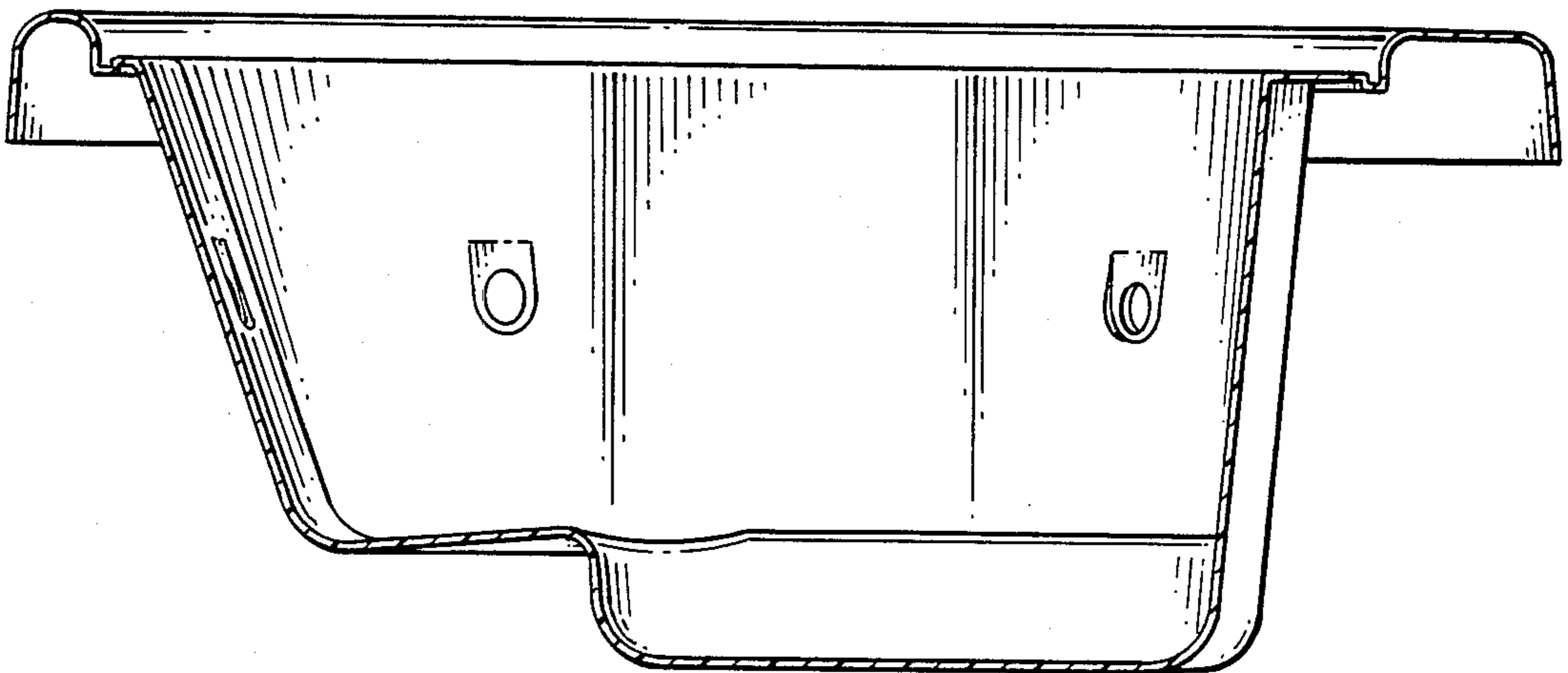


FIG. 7.