

[54] TONGUE SCRAPER

[76] Inventor: John B. Tsen, 7700 Clark La., Manlius, N.Y. 13104

[\*\*] Term: 14 Years

[21] Appl. No.: 7,396

[22] Filed: Jan. 27, 1987

[52] U.S. Cl. .... D24/10; D32/40

[58] Field of Search ..... D24/10, 16; D32/40, D32/46, 49; 30/169; 128/304; 15/167.1, 236 R

[56] References Cited

U.S. PATENT DOCUMENTS

2,651,068	9/1953	Seko	15/236.01	X
2,814,818	12/1957	Birse	15/167.1	X
3,522,850	8/1970	Peda	172/376	
3,680,169	8/1972	Thompson	15/167.1	X
4,248,660	2/1981	Johnson	15/236.01	X

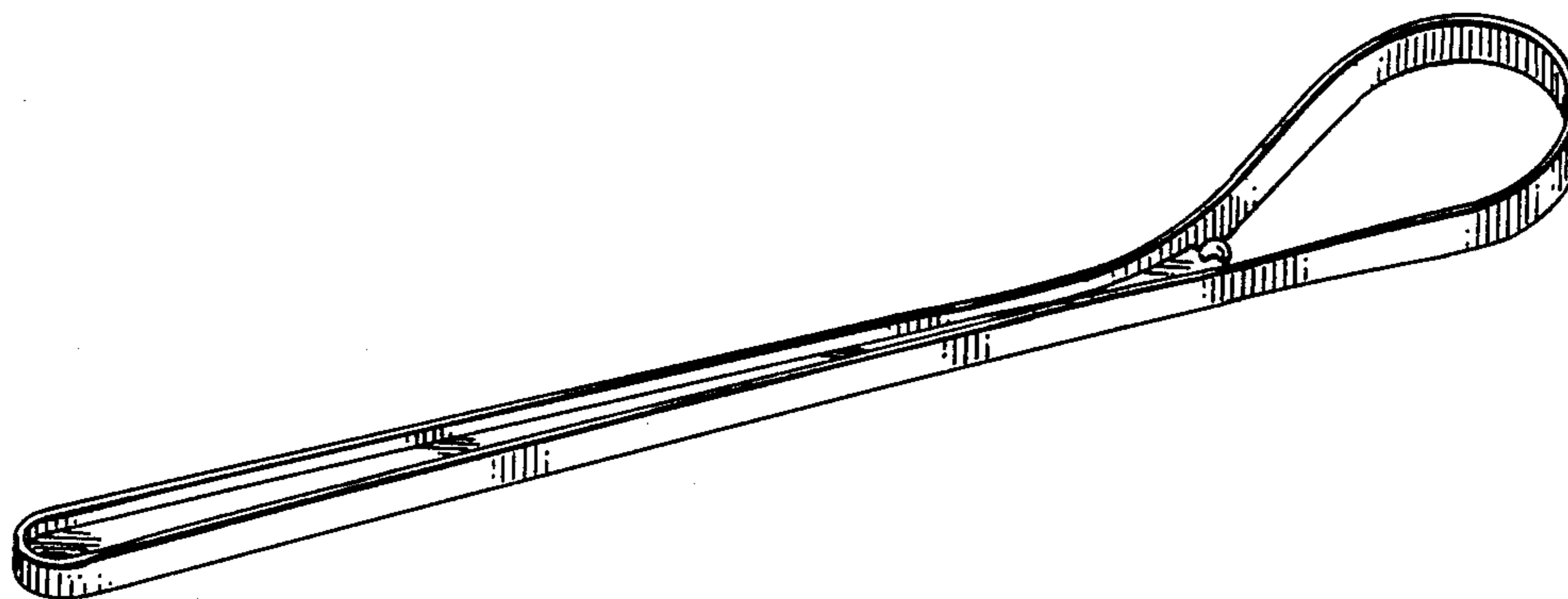
Primary Examiner—Wallace R. Burke  
Assistant Examiner—Brian N. Vinson  
Attorney, Agent, or Firm—Charles S. McGuire

[57] CLAIM

The ornamental design for tongue scraper, as shown and described.

DESCRIPTION

FIG. 1 is a perspective view of a tongue scraper showing my new design;  
FIG. 2 is a top plan view thereof;  
FIG. 3 is a vertical cross-sectional view thereof, taken along line 3—3 of FIG. 2;  
FIG. 4 is a side elevational view thereof, the opposite side being a mirror image of that shown;  
FIG. 5 is a bottom plan view thereof;  
FIG. 6 is a front end elevational view thereof; and  
FIG. 7 is a rear end elevational view thereof.



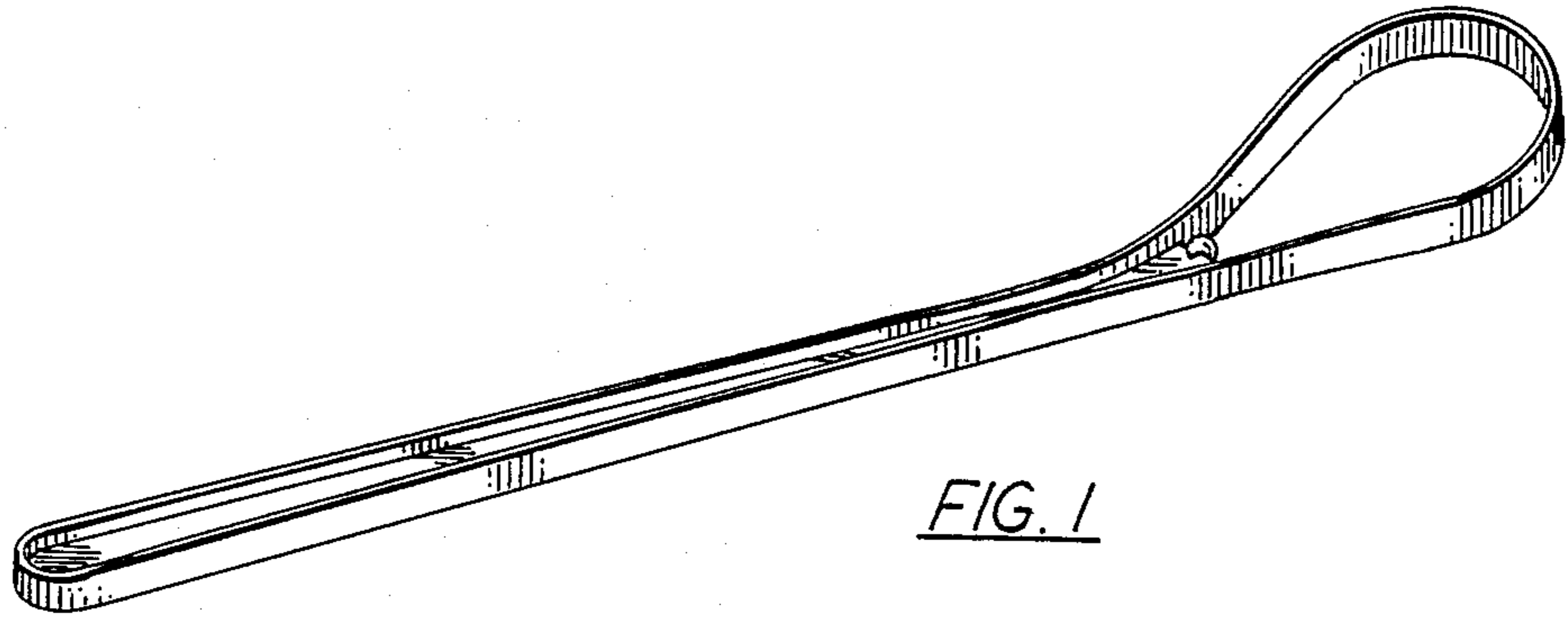


FIG. 1

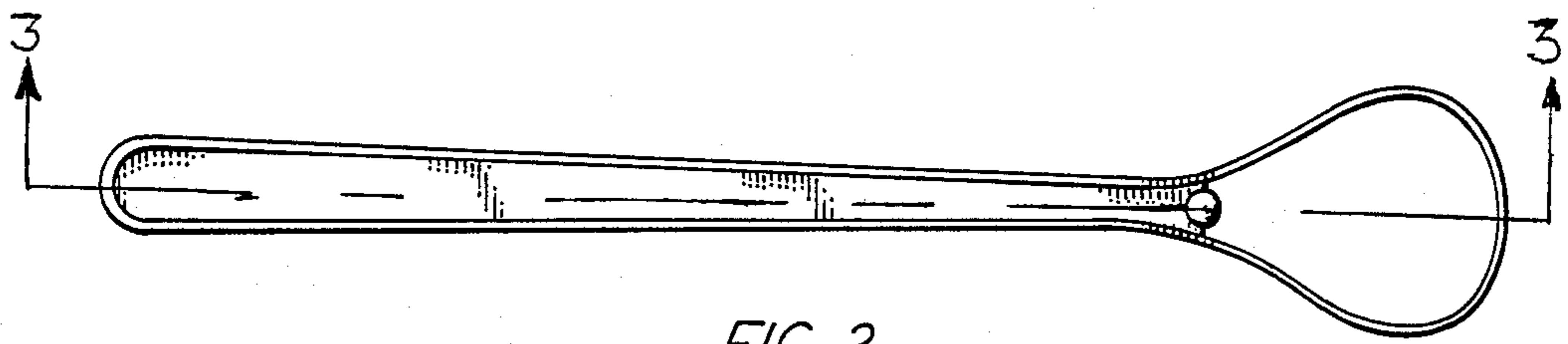


FIG. 2



FIG. 3

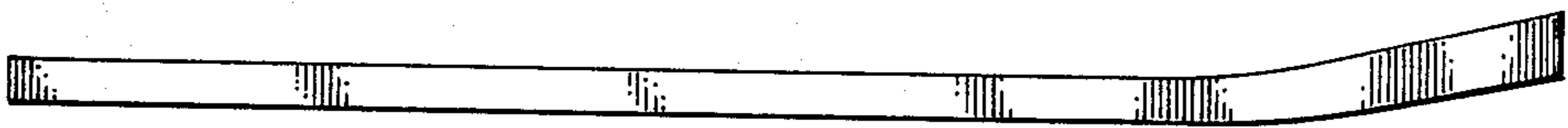


FIG. 4

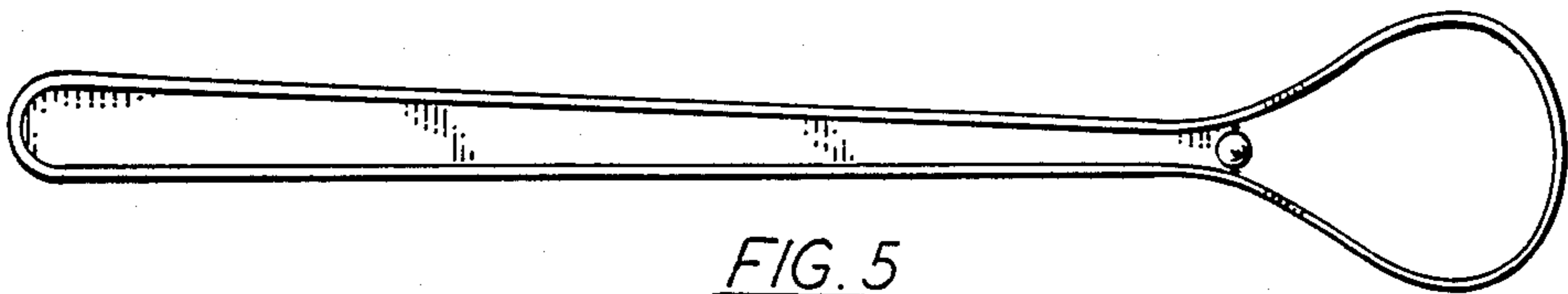


FIG. 5

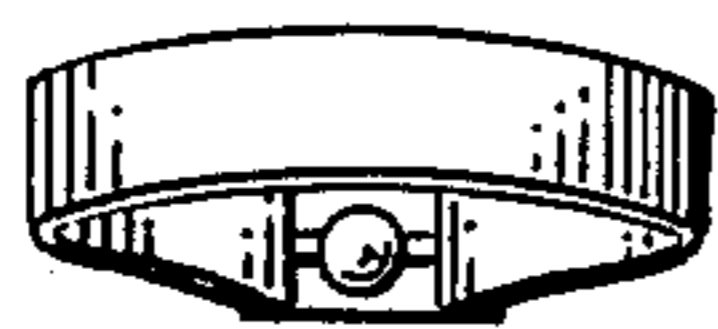


FIG. 6



FIG. 7