

[54] EPILATION APPARATUS OR SIMILAR ELECTRO-MEDICAL INSTRUMENT

[75] Inventors: Frank Nippel, Waldbronn; Zlatan Medugorac, Ulm, both of Fed. Rep. of Germany

[73] Assignee: Nemectron GmbH, Karlsruhe, Fed. Rep. of Germany

[**] Term: 14 Years

[21] Appl. No.: 505,718

[22] Filed: Jun. 20, 1983

[30] Foreign Application Priority Data

Feb. 5, 1983 [DE] Fed. Rep. of Germany MR-V111/247

[52] U.S. Cl. D24/8; D24/17

[58] Field of Search D24/1.1, 8, 26, 17; 128/303.13, 303.14, 303.17, 303.18, 908, 419 R, 421, 422

[56] References Cited

U.S. PATENT DOCUMENTS

- D. 249,810 10/1978 Holleley D24/8
- D. 250,480 12/1978 Wettermann et al. D24/8
- D. 255,266 6/1980 Roberts D24/8
- D. 263,879 4/1982 Mann D28/8 X

Primary Examiner—Susan J. Lucas
Attorney, Agent, or Firm—Antonelli, Terry & Wands

[57] CLAIM

The ornamental design for an epilation apparatus or similar electro-medical instrument, as shown and described.

DESCRIPTION

FIG. 1 is a top, front and left hand side perspective view of an epilation apparatus or similar electro-medical instrument showing our new design;

FIG. 2 is a rear elevational view thereof on an enlarged scale;

FIG. 3 is a front elevational view thereof on an enlarged scale;

FIG. 4 is a top plan view thereof on an enlarged scale; FIG. 5 is a right hand side elevational view thereof on an enlarged scale;

FIG. 6 is a front perspective view of a second embodiment of our new design;

FIG. 7 is a front elevational view thereof on an enlarged scale;

FIG. 8 is a front perspective view of a third embodiment of our new design;

FIG. 9 is a front elevational view thereof on an enlarged scale;

FIG. 10 is a front perspective view of a fourth embodiment of our new design;

FIG. 11 is a front elevational view thereof on an enlarged scale;

FIG. 12 is a front perspective view of a fifth embodiment of our new design;

FIG. 13 is a front elevational view thereof on an enlarged scale;

FIG. 14 is a front perspective view of a sixth embodiment of our new design;

FIG. 15 is a front elevational view thereof on an enlarged scale;

FIG. 16 is a front perspective view of a seventh embodiment of our new design;

FIG. 17 is a front elevational view thereof on an enlarged scale;

FIG. 18 is a front perspective view of an eight embodiment of our new design;

FIG. 19 is a front elevational view thereof on an enlarged scale;

FIG. 20 is a front perspective view of a ninth embodiment of our new design; and

FIG. 21 is a front elevational view thereof on an enlarged scale.

The second, third, fourth, fifth, sixth, seventh, eighth, and ninth embodiments differ from the first embodiment only in the configuration and arrangement of the elements on the front panel.

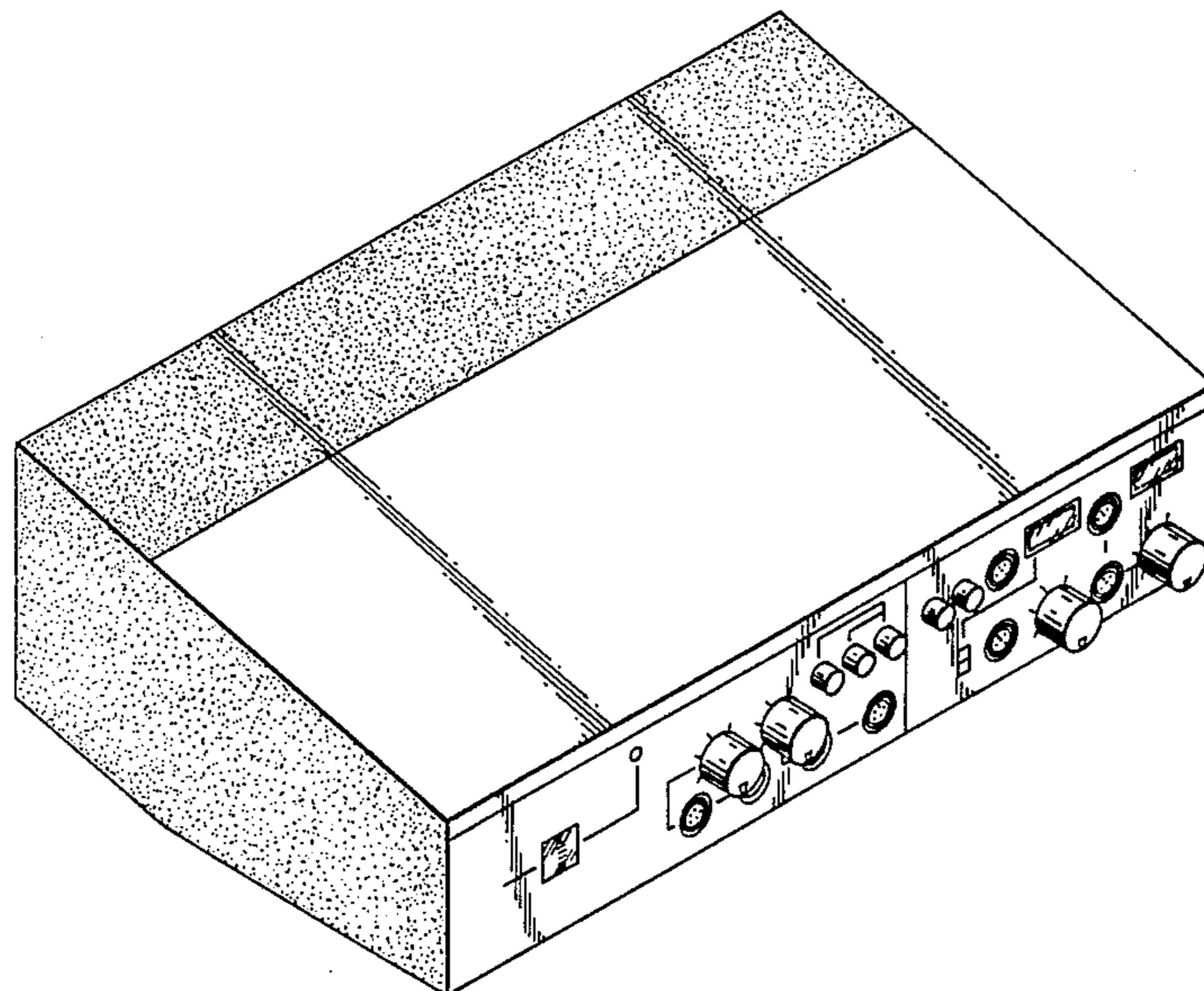
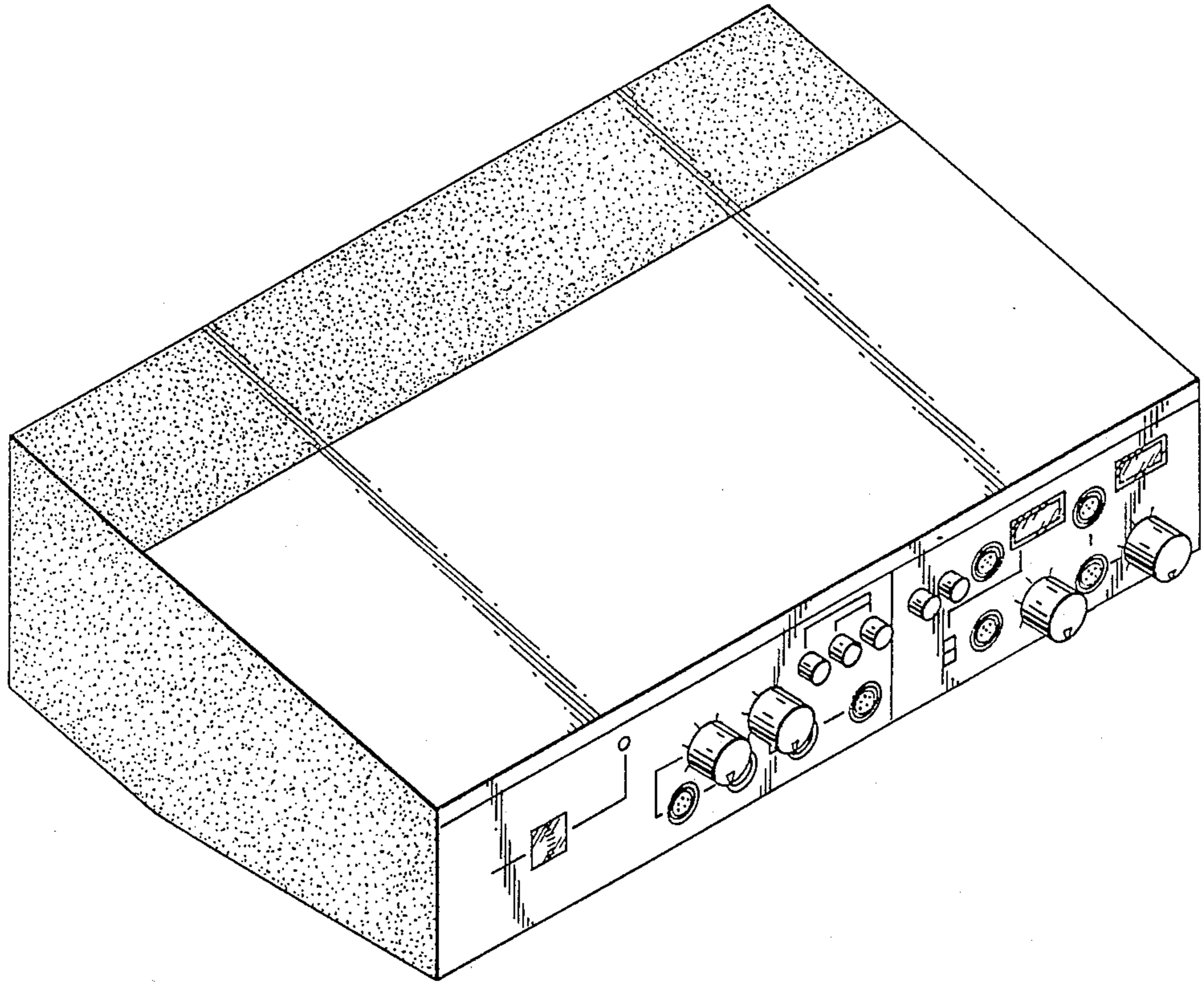


FIG. 1



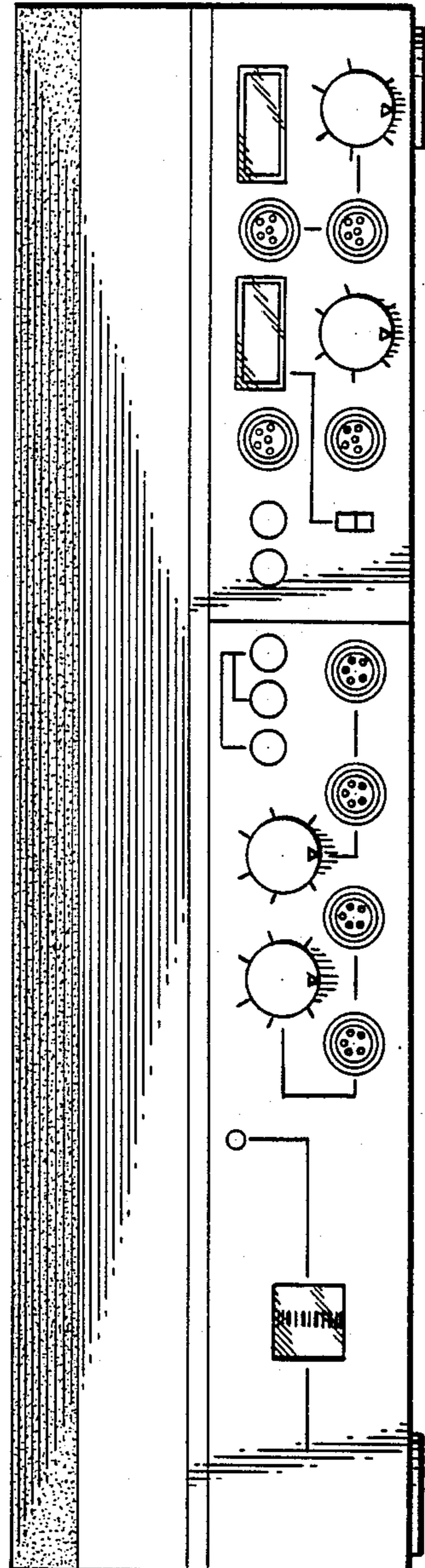


FIG. 3

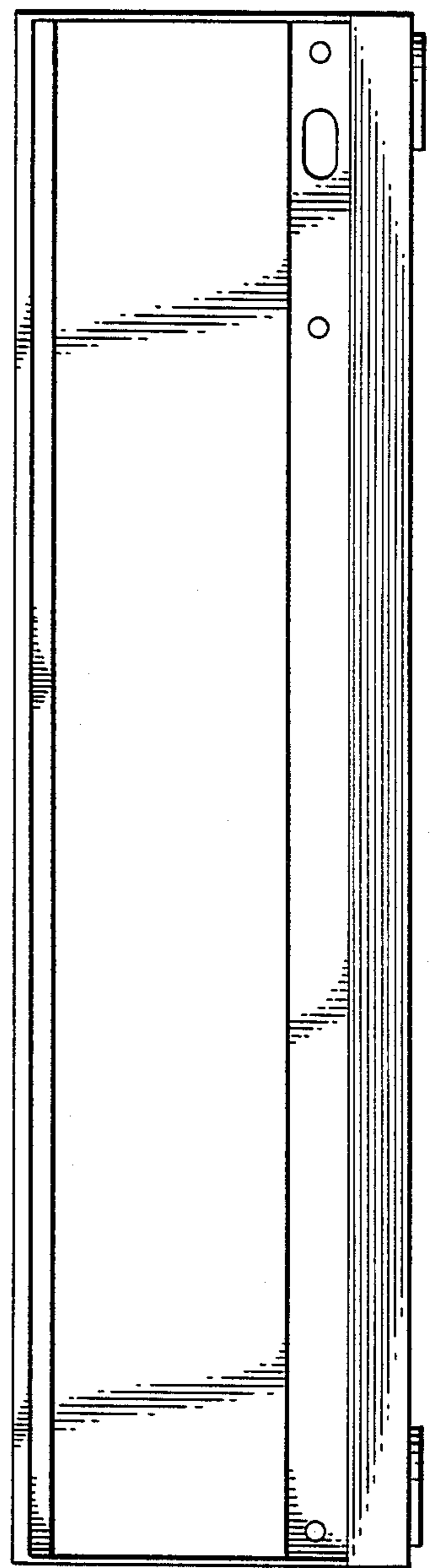


FIG. 2

FIG. 4.

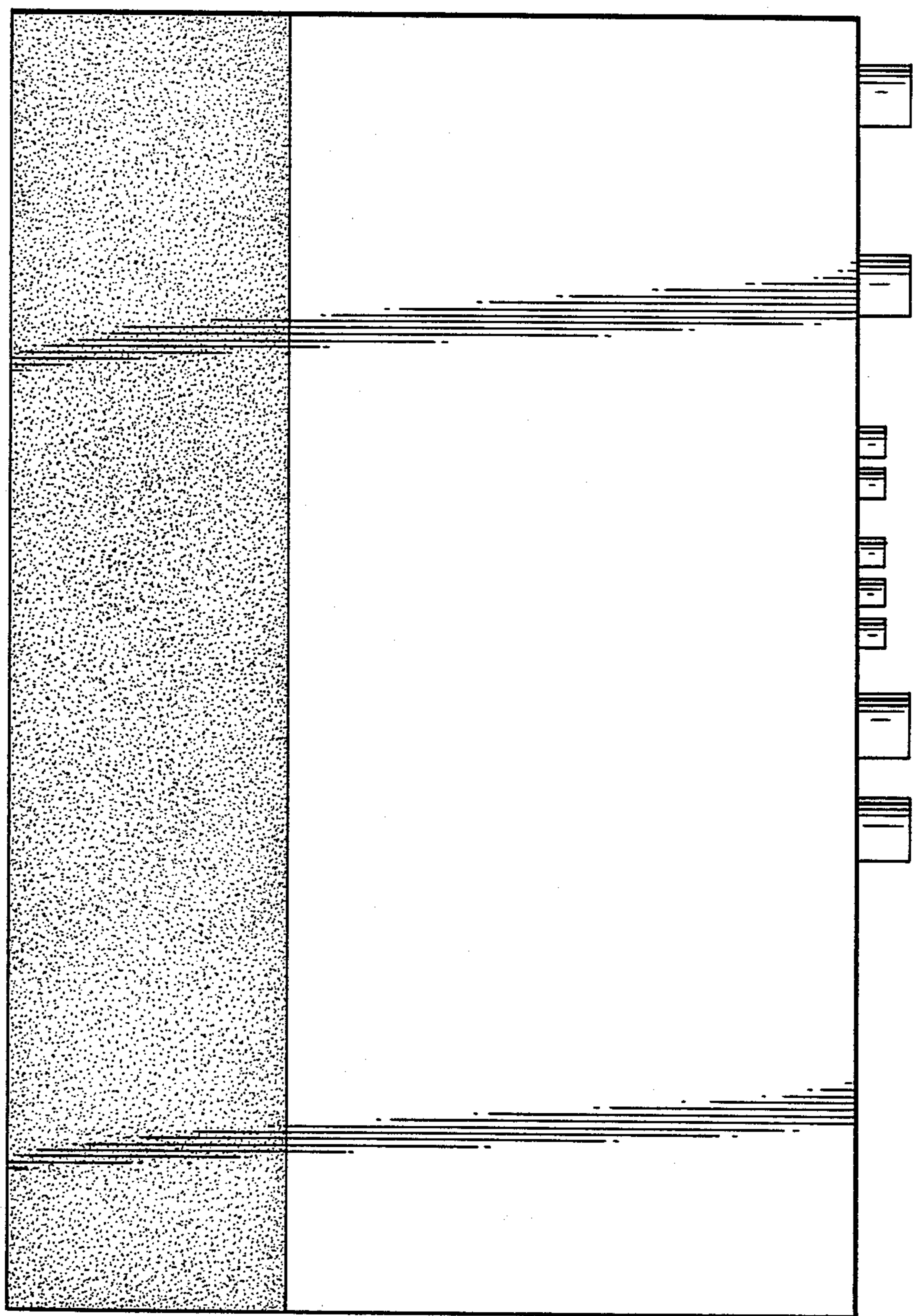


FIG. 5

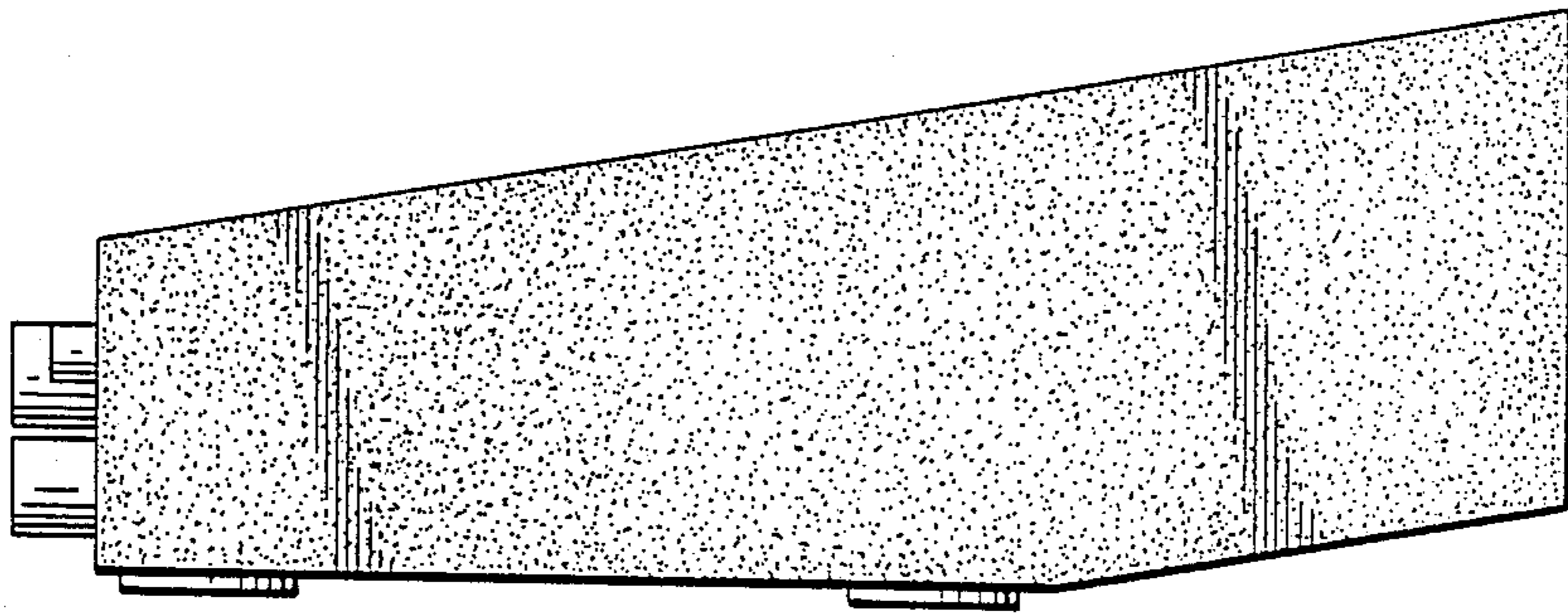
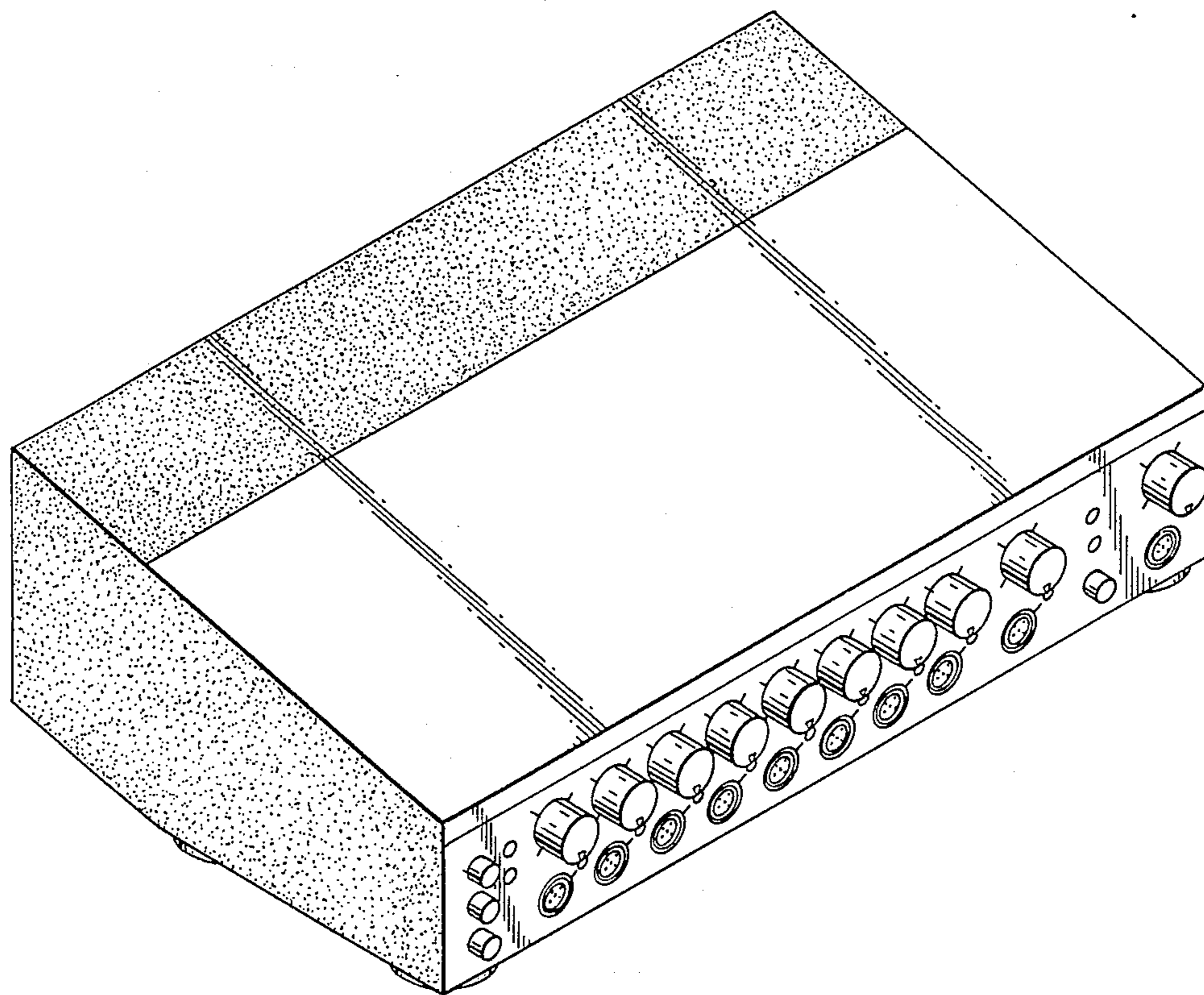


FIG. 6



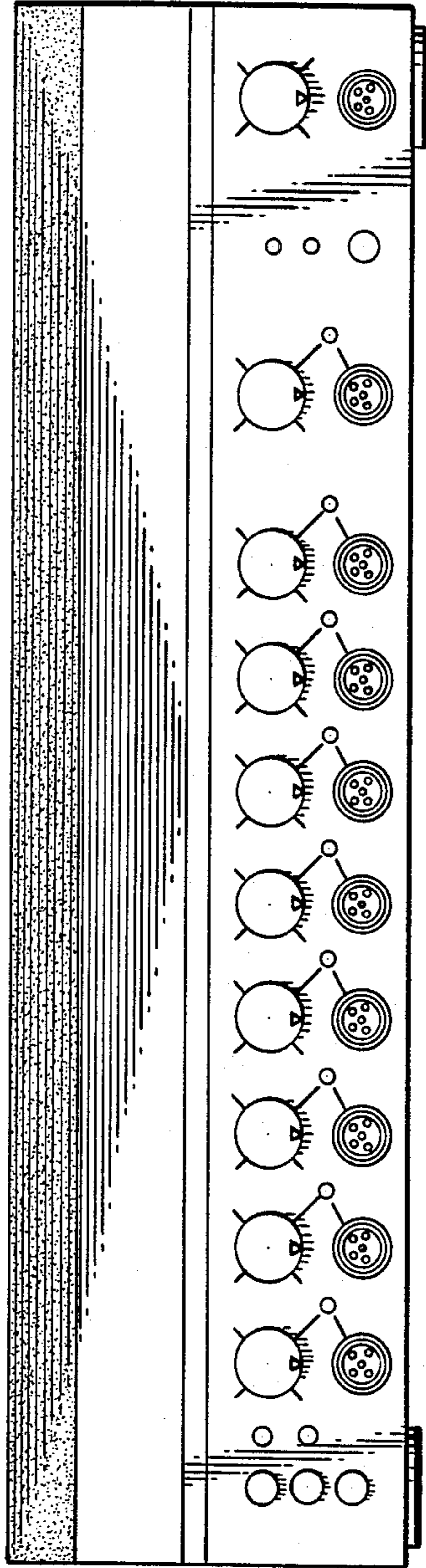


FIG. 7

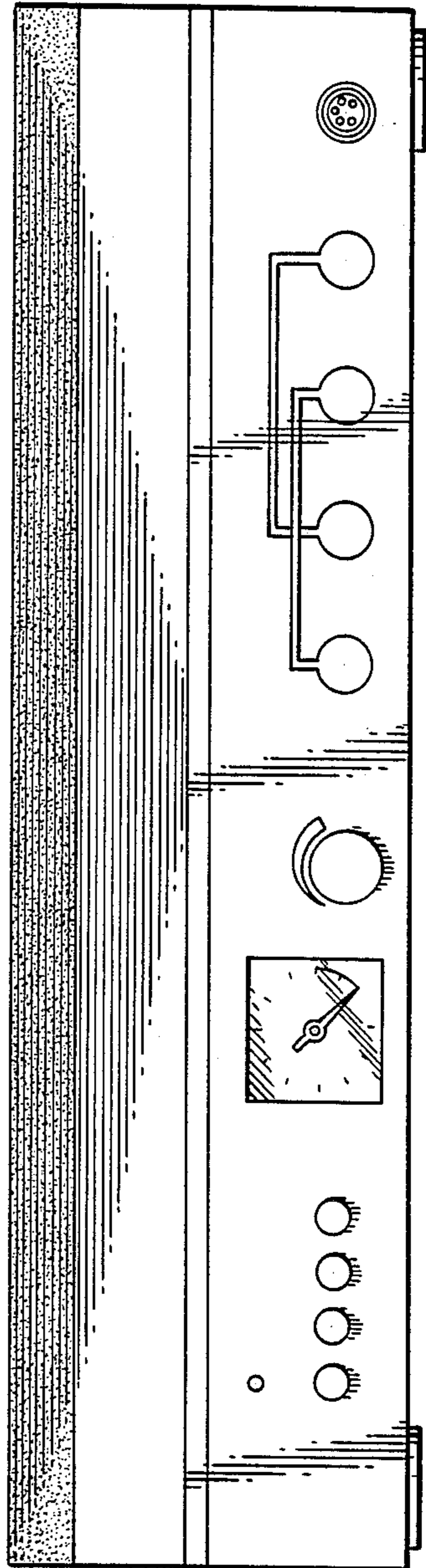


FIG. 9

FIG. 8

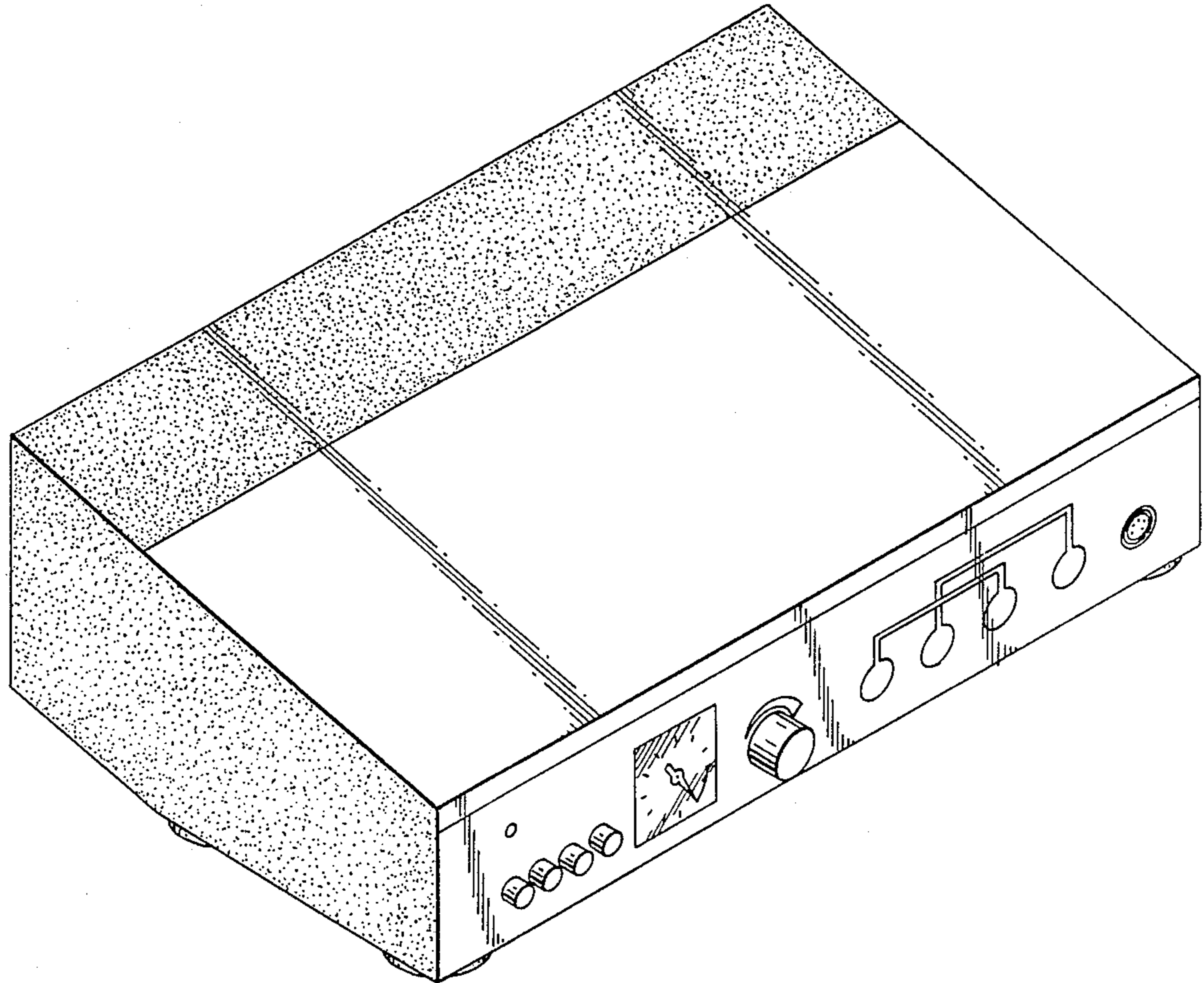
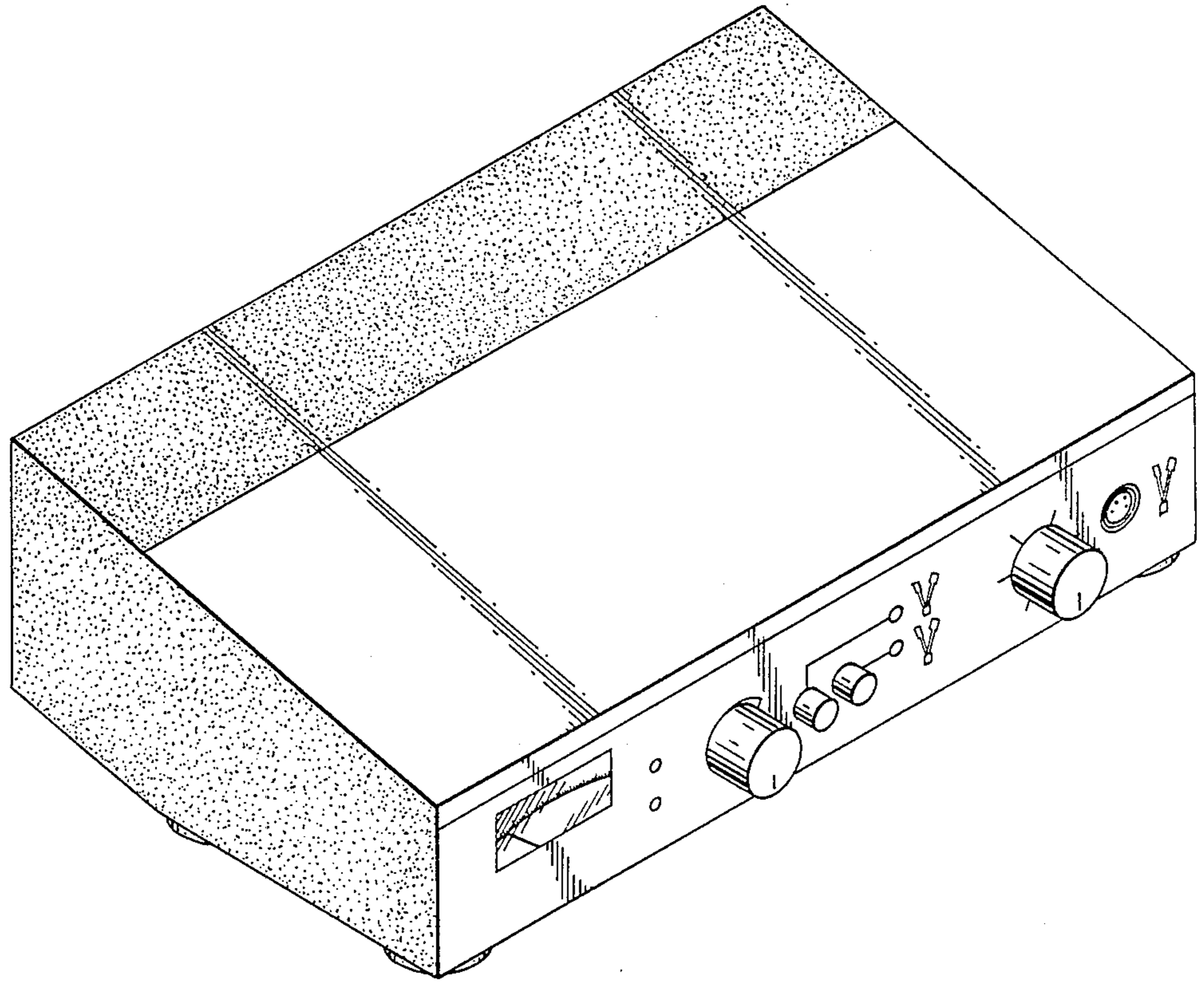


FIG. 10



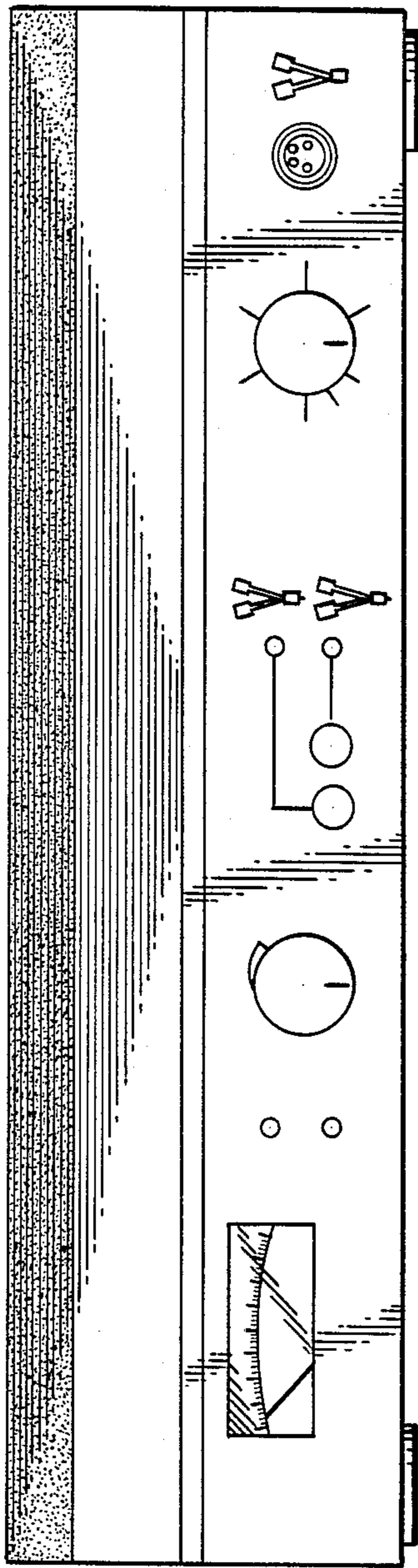


FIG. 11

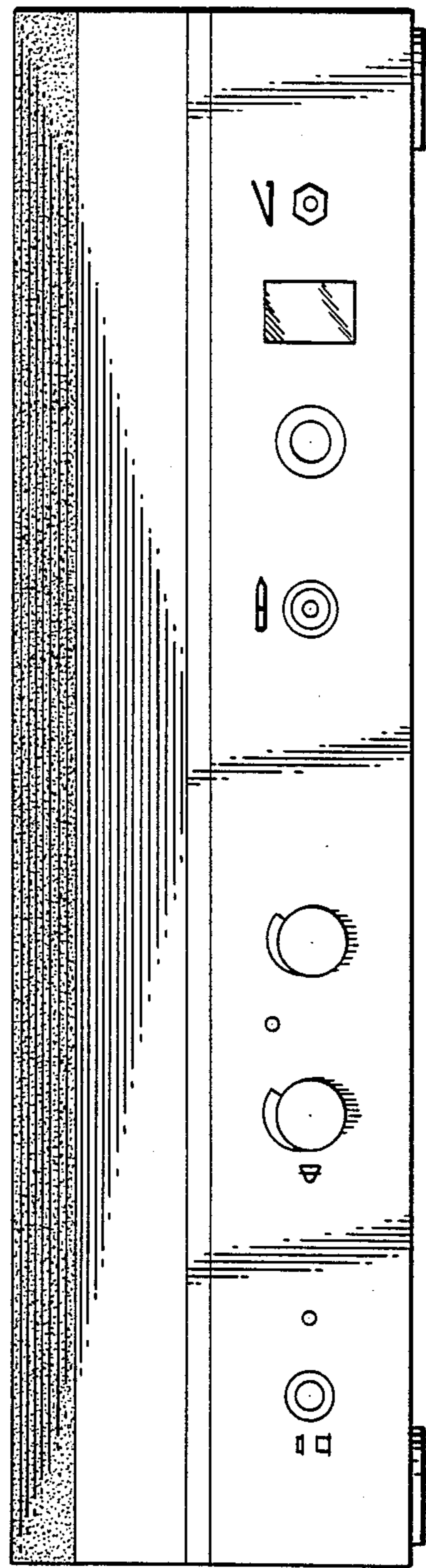


FIG. 13

FIG. 12

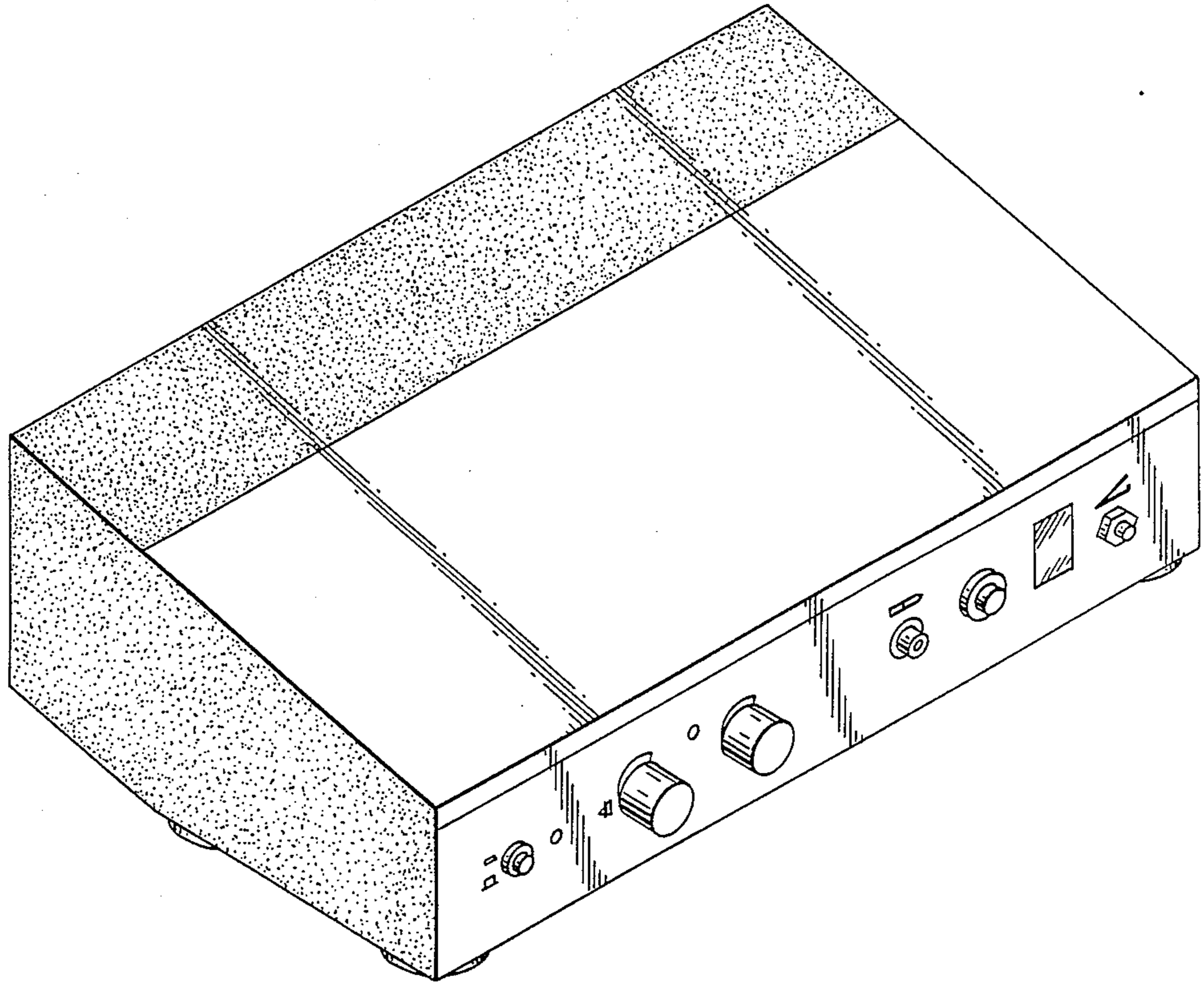
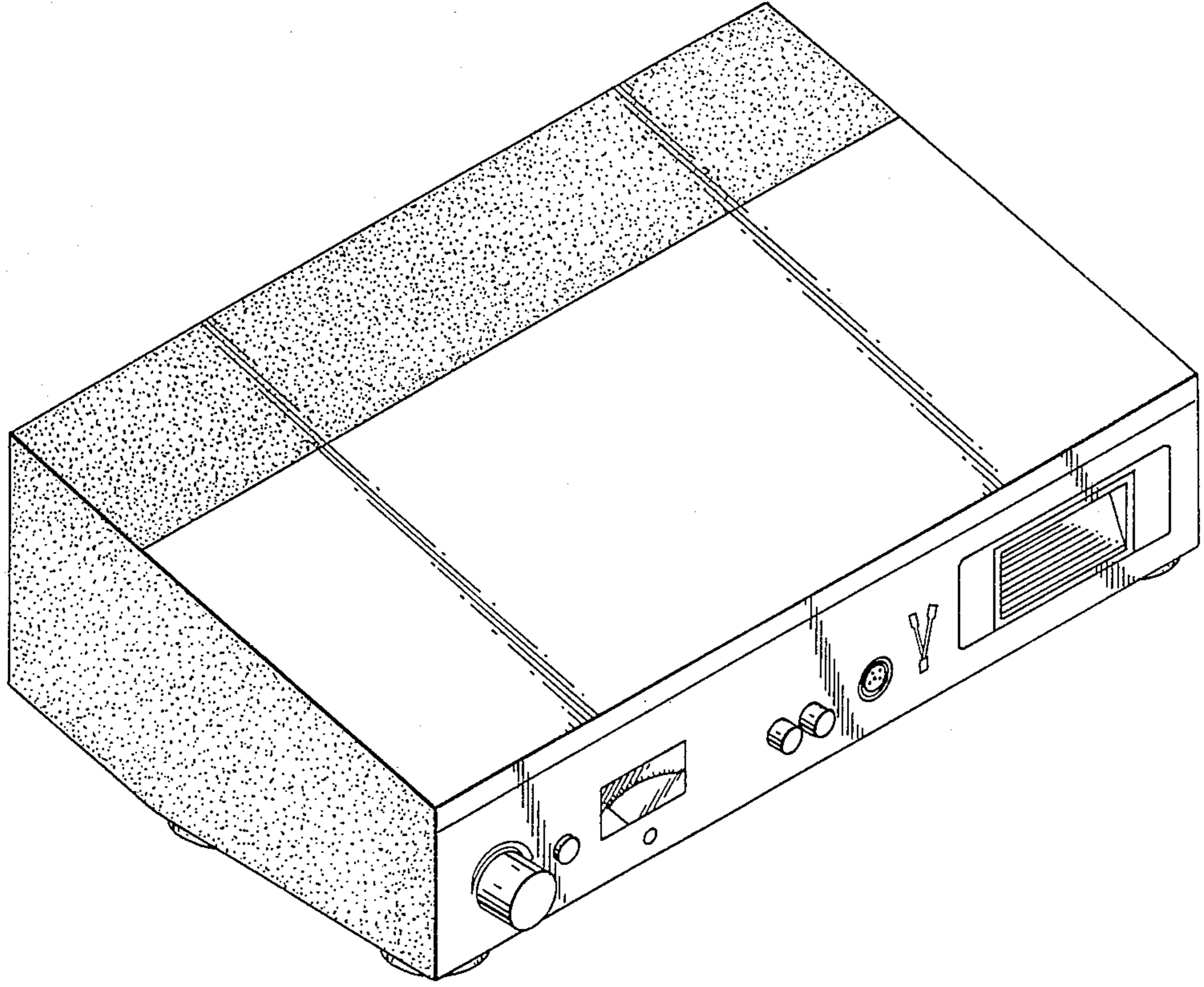


FIG. 14



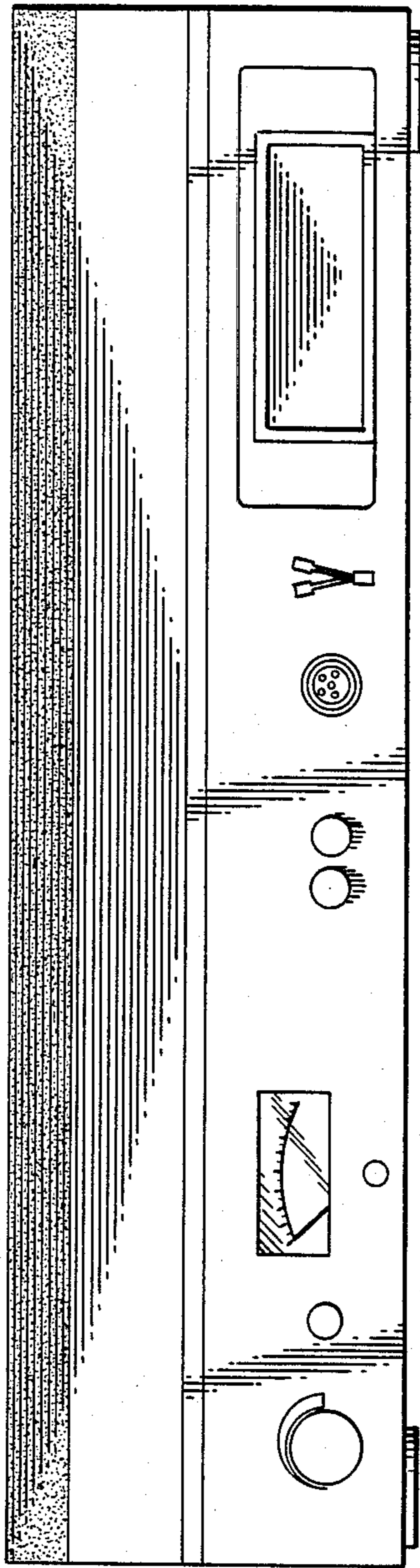


FIG. 15

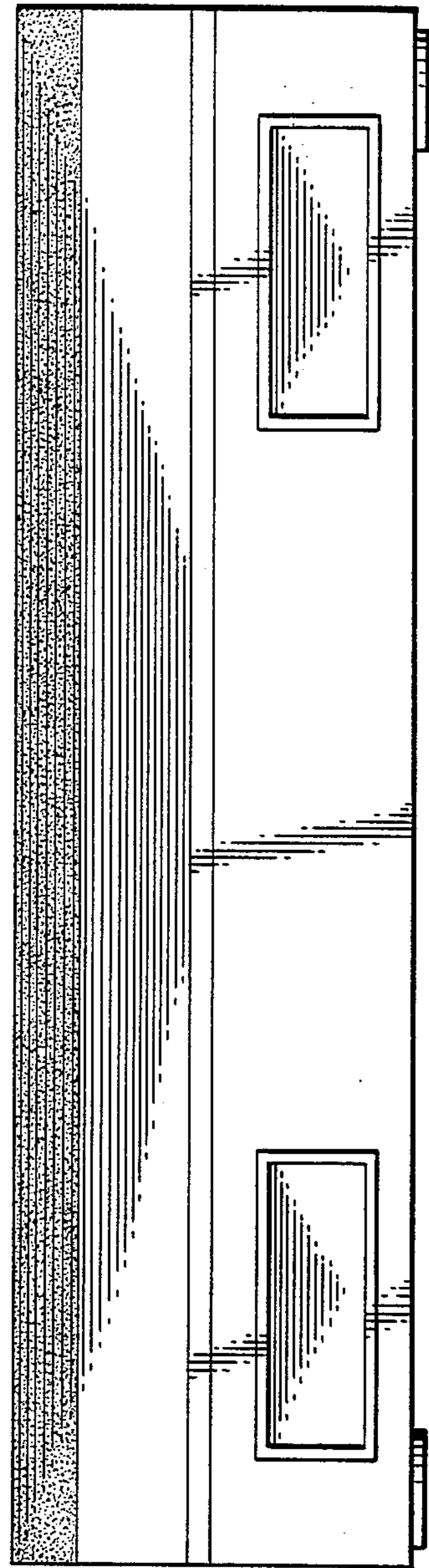


FIG. 17

FIG. 16

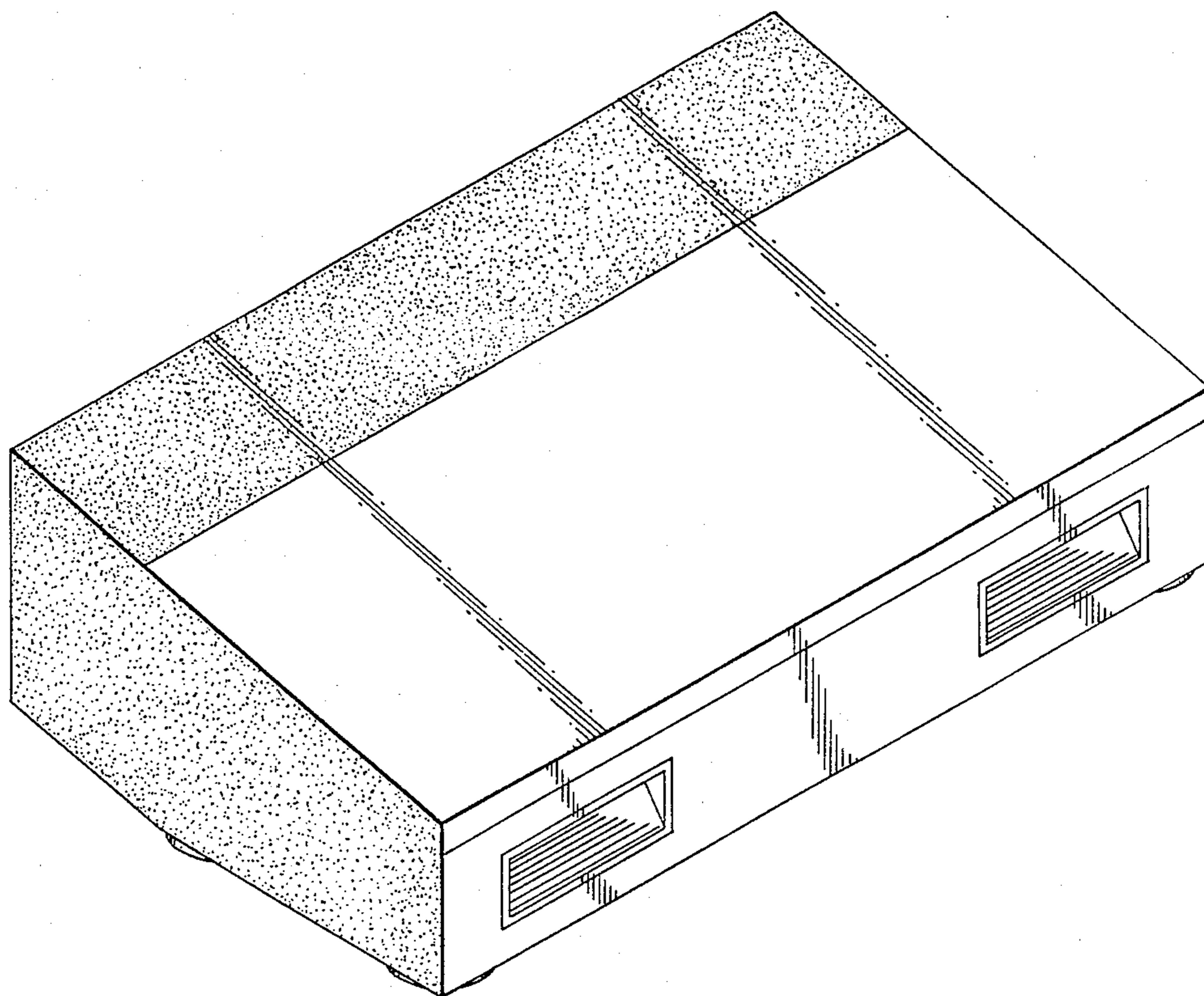


FIG. 18

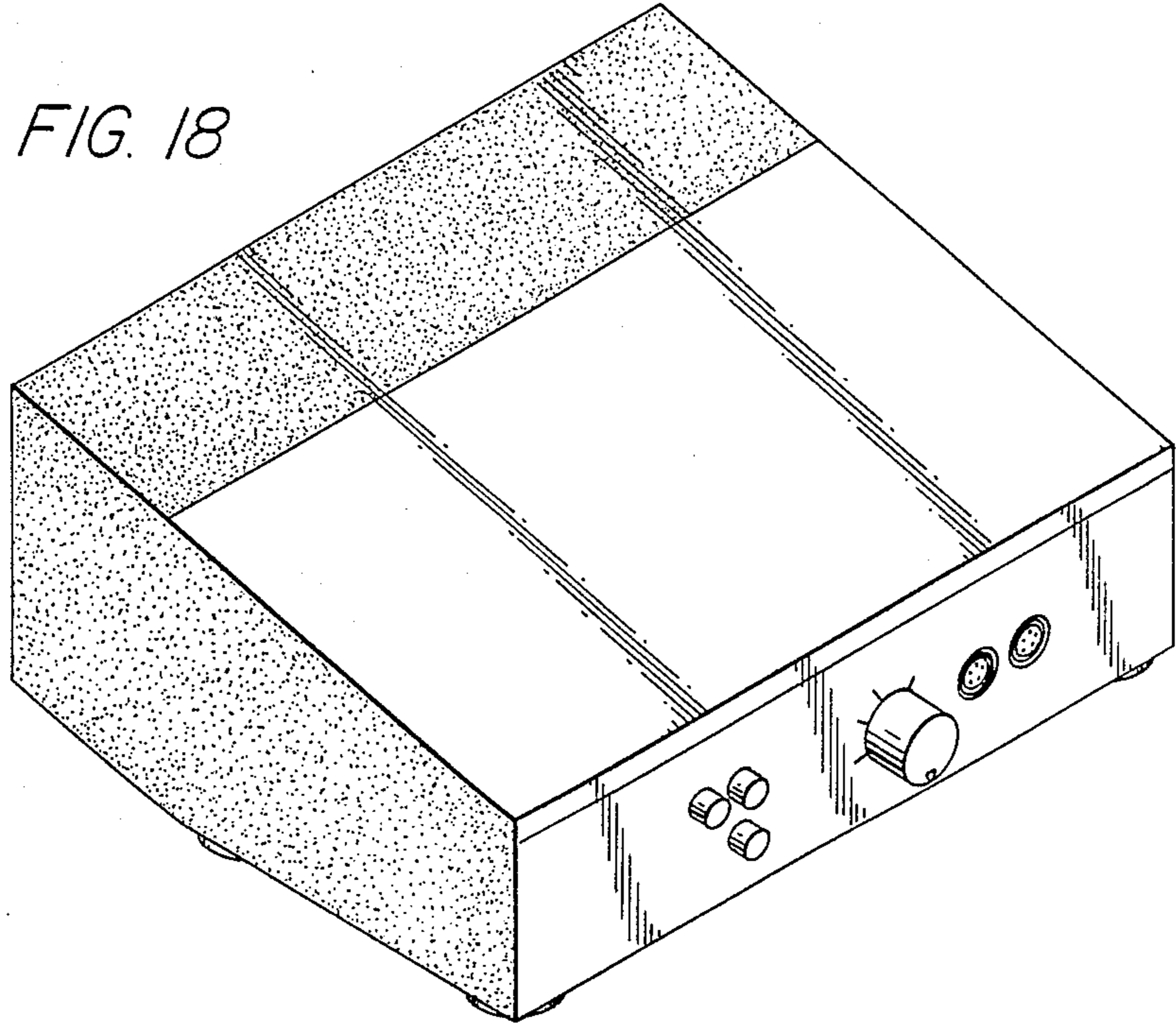


FIG. 20

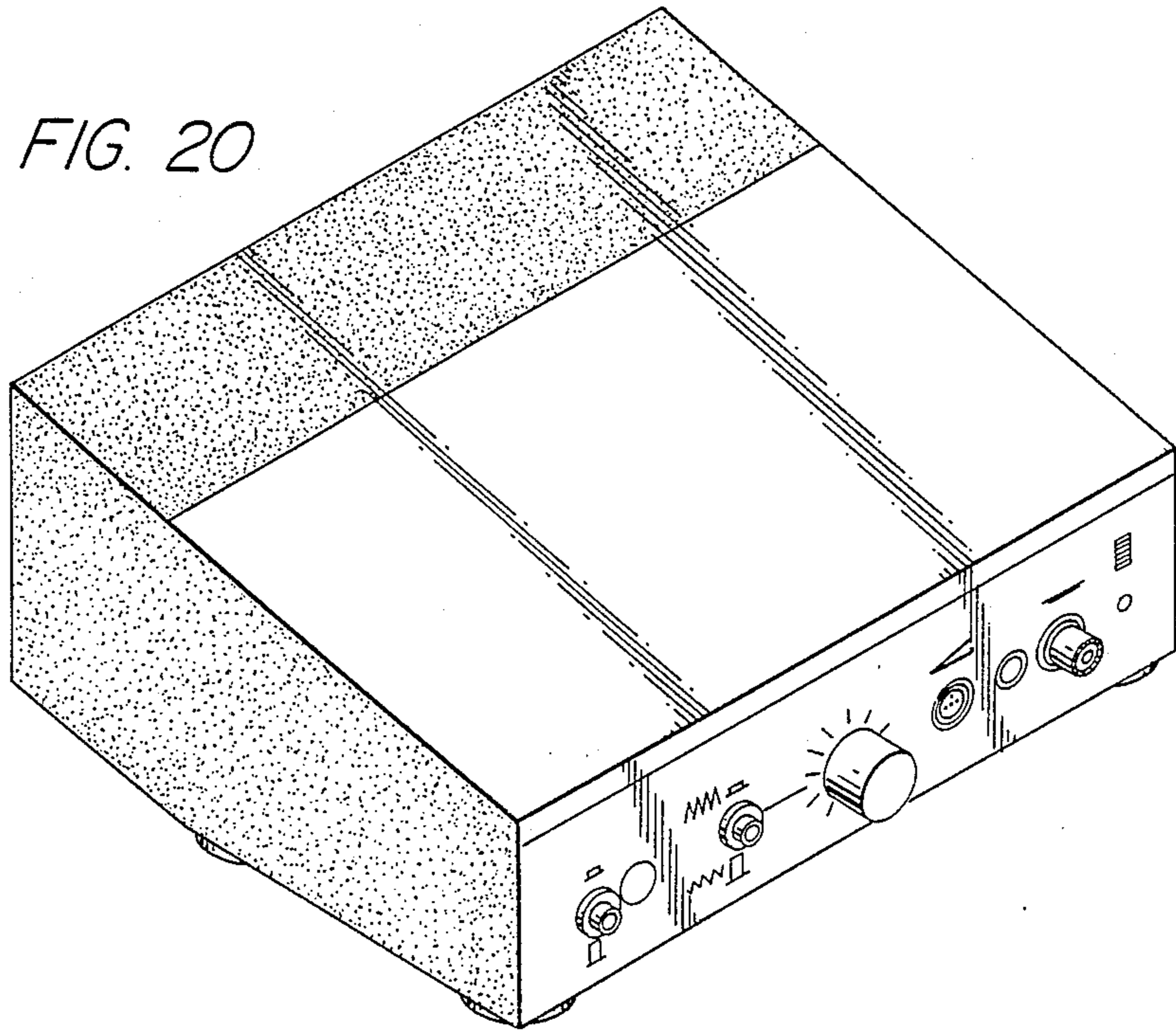


FIG. 19

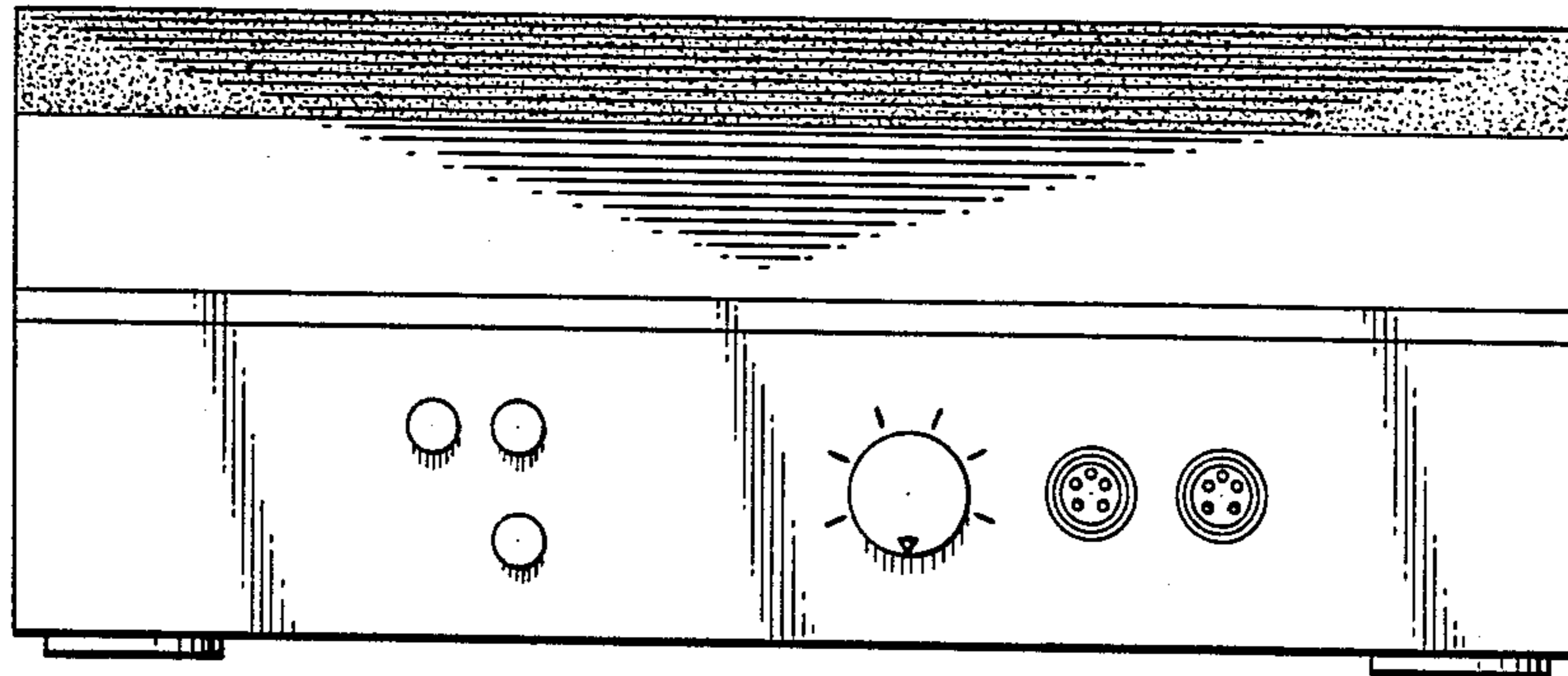


FIG. 21

