

[54] FIREPLACE GRATE

[75] Inventor: Donald W. Wilkening, Akeley, Minn.

[73] Assignee: Gary D. Wilkening, Walker, Minn.

[**] Term: 14 Years

[21] Appl. No.: 72,603

[22] Filed: Aug. 31, 1987

[52] U.S. Cl. D23/398

[58] Field of Search D23/397-402;
126/152 R-165

[56] References Cited

U.S. PATENT DOCUMENTS

- D. 252,316 7/1979 Cagle D23/399
- D. 254,388 3/1980 Chesnut et al. D23/399
- D. 259,657 6/1981 Metz et al. D23/399
- D. 267,465 1/1983 Hassett et al. D23/398

OTHER PUBLICATIONS

Sand Hill catalogue (1984), p. 11—Fireplace Wood Grate.

Liberty Foundry Co. catalogue (1985), p. 5—Basket Grate.

Primary Examiner—Wallace R. Burke

Assistant Examiner—Brian N. Vinson

Attorney, Agent, or Firm—Warren A. Sturm

[57] CLAIM

The ornamental design for a fireplace grate, as shown and described.

DESCRIPTION

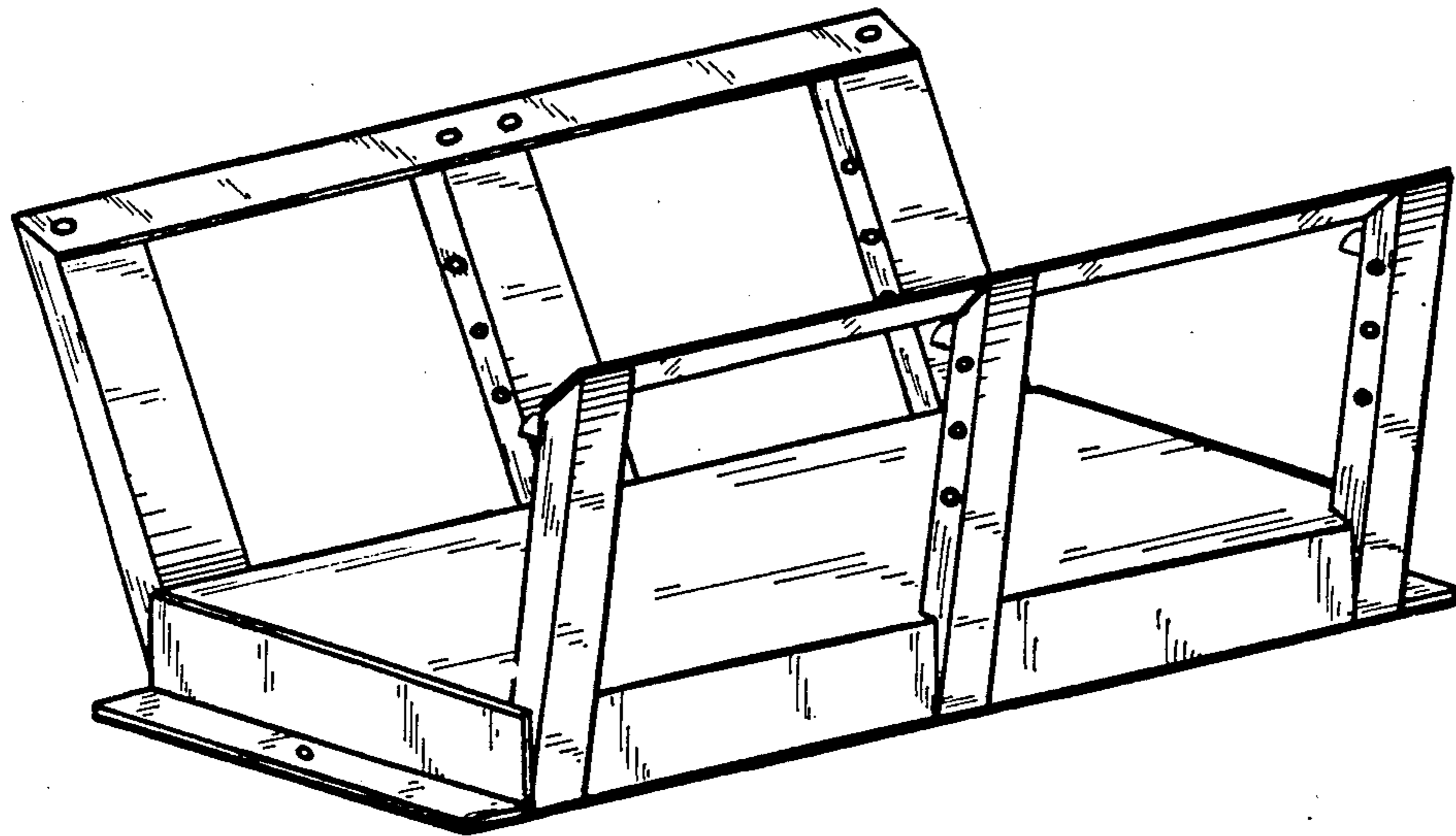
FIG. 1 is a perspective view of a fireplace grate showing my new design;

FIG. 2 is a front elevational view thereof;

FIG. 3 is a rear elevational view thereof;

FIG. 4 is a top plan view thereof; and

FIG. 5 is a right side elevational view thereof, the left side being a mirror image.



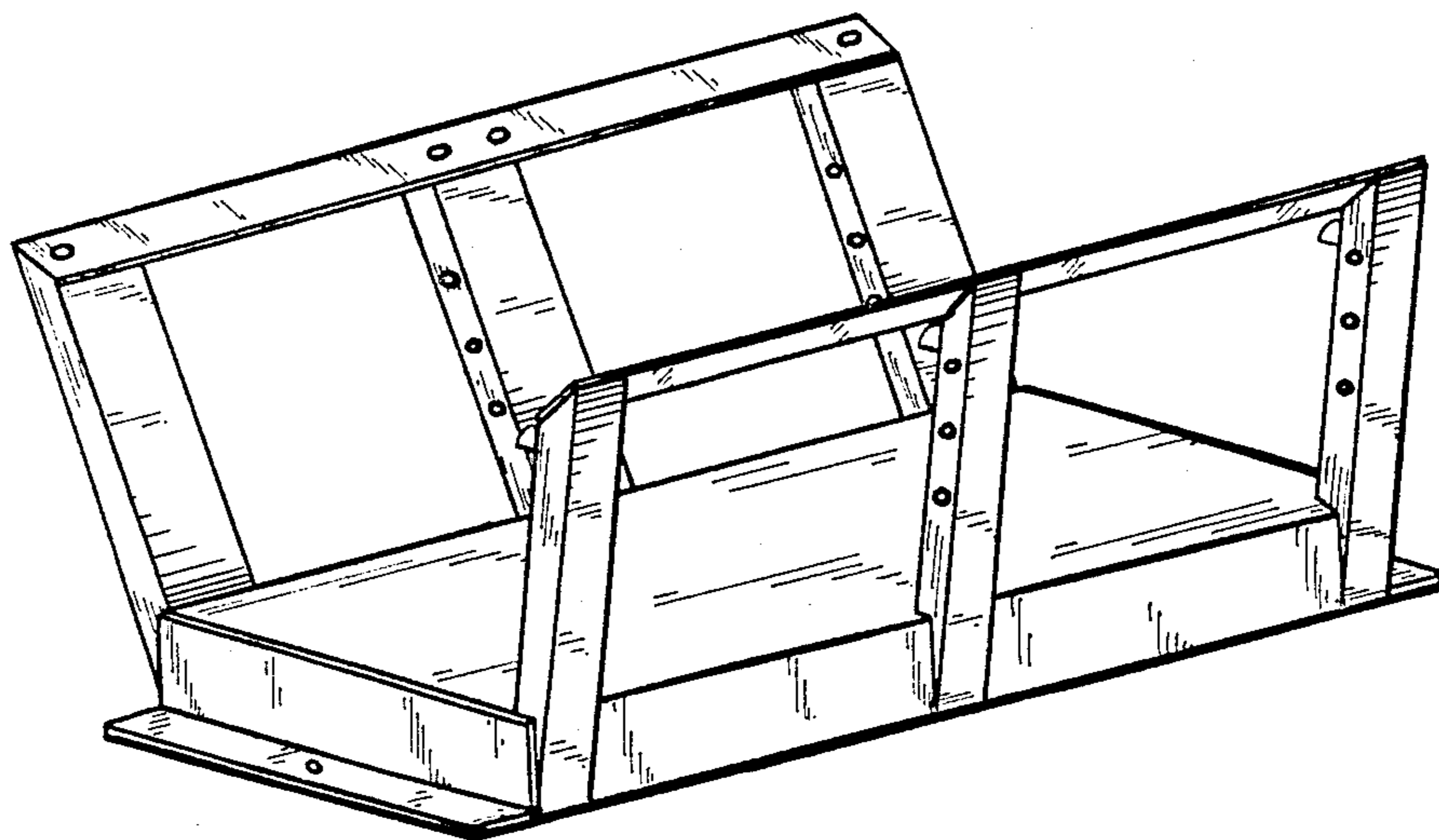


FIG. 1

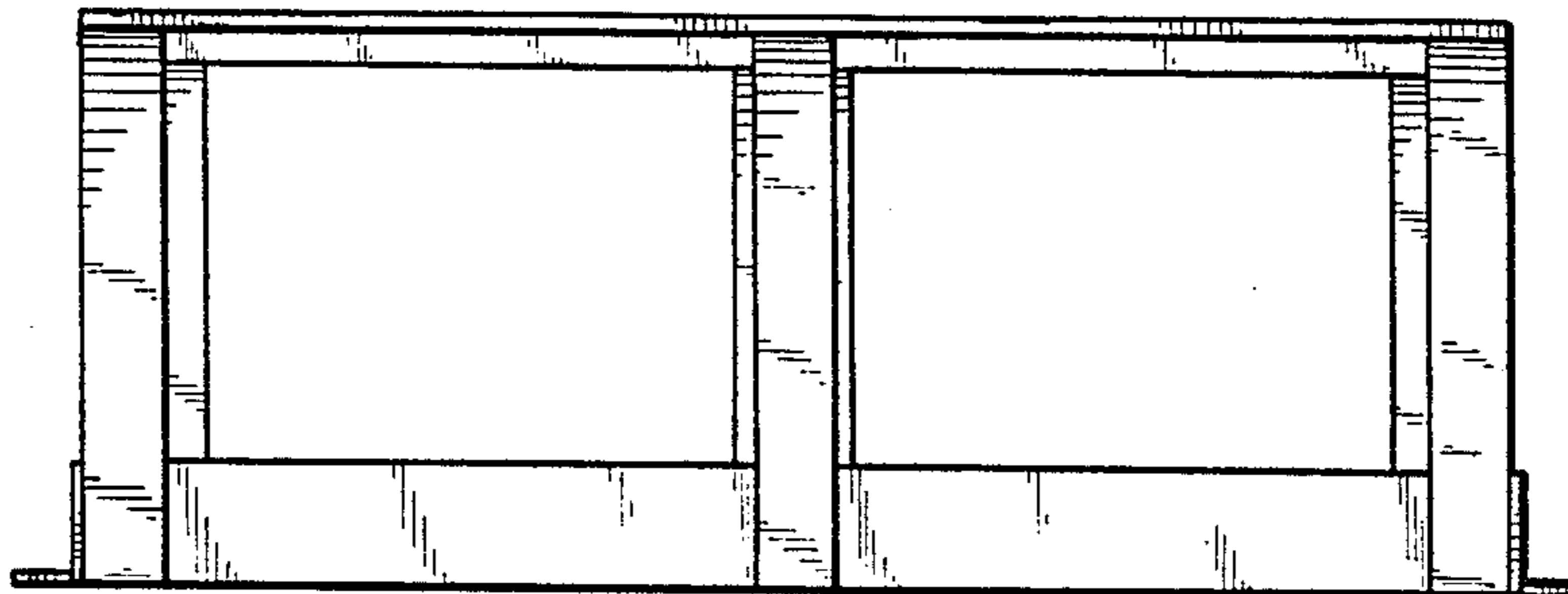


FIG. 2

FIG. 3

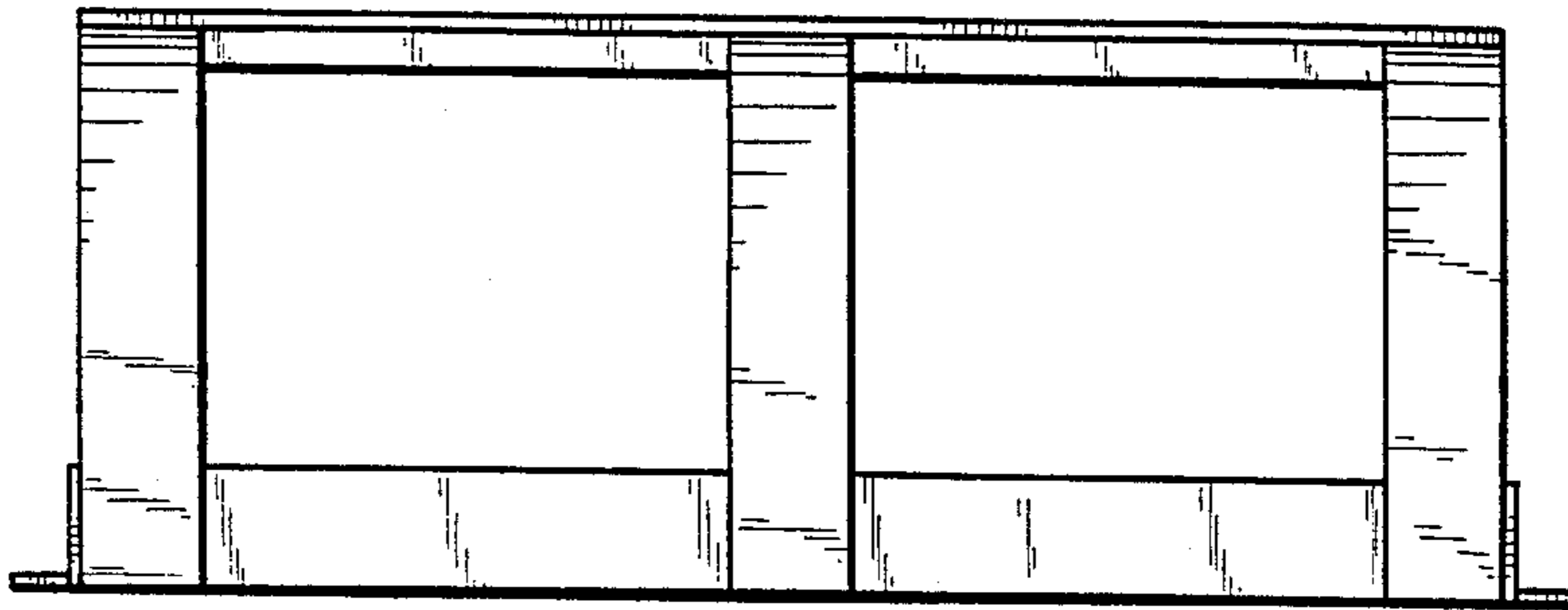


FIG. 4

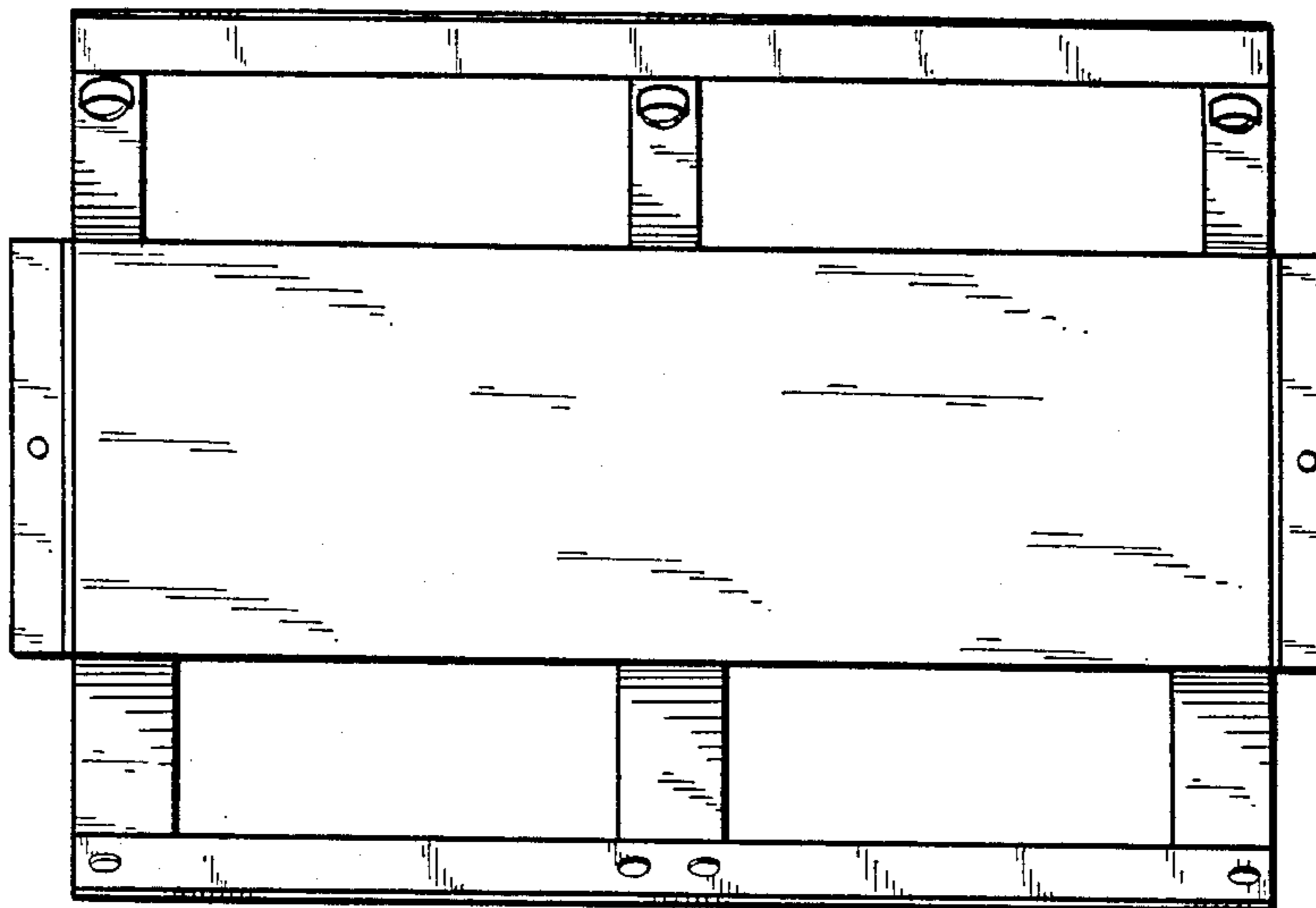


FIG. 5

