

[54] FIREPLACE TRIMMING PANEL

[75] Inventor: Niels E. Heger, Jessheim, Norway

[73] Assignee: A/S Jotul, Oslo, Norway

[**] Term: 14 Years

[21] Appl. No.: 80,560

[22] Filed: Jul. 30, 1987

[30] Foreign Application Priority Data

Mar. 12, 1987 [NO] Norway 68121
 [52] U.S. Cl. D23/350
 [58] Field of Search D23/314, 342-350,
 D23/403-405; 126/120-122, 126, 138-143,
 190, 200

[56] References Cited

U.S. PATENT DOCUMENTS

D. 280,127 8/1985 Syme et al. D23/345
 464,457 12/1891 Goetz et al. D23/343 X
 4,441,482 4/1984 Luscombe 126/121 X

OTHER PUBLICATIONS

Woodstove, Coalstove, Fireplace & Equipment Directory-1981, "Super Heat Fireplace Insert", p. 214.
 Kent, brochure (Mar. 1957), "Log Fire" model.
 Woodside, brochure (1981), "Expander" Fireplace Insert.

Primary Examiner—Wallace R. Burke
 Assistant Examiner—Brian N. Vinson
 Attorney, Agent, or Firm—Young & Thompson

[57] CLAIM

The ornamental design for a fireplace trimming panel, as shown and described.

DESCRIPTION

FIG. 1 is a front elevational view of a fireplace trimming panel showing my new design;
 FIG. 2 is a top plan view thereof;
 FIG. 3 is a bottom plan view thereof;
 FIG. 4 is a rear elevational view thereof;
 FIG. 5 is a left side elevational view thereof, the right side being the mirror image thereof;
 FIG. 6 is an enlarged fragmentary vertical cross-sectional view thereof, taken along line VI—VI of FIG. 1;
 FIG. 7 is an enlarged fragmentary cross-sectional view thereof on the line VII—VII of FIG. 1; and
 FIG. 8 is an enlarged fragmentary cross-sectional view thereof on the line VIII—VIII of FIG. 1.

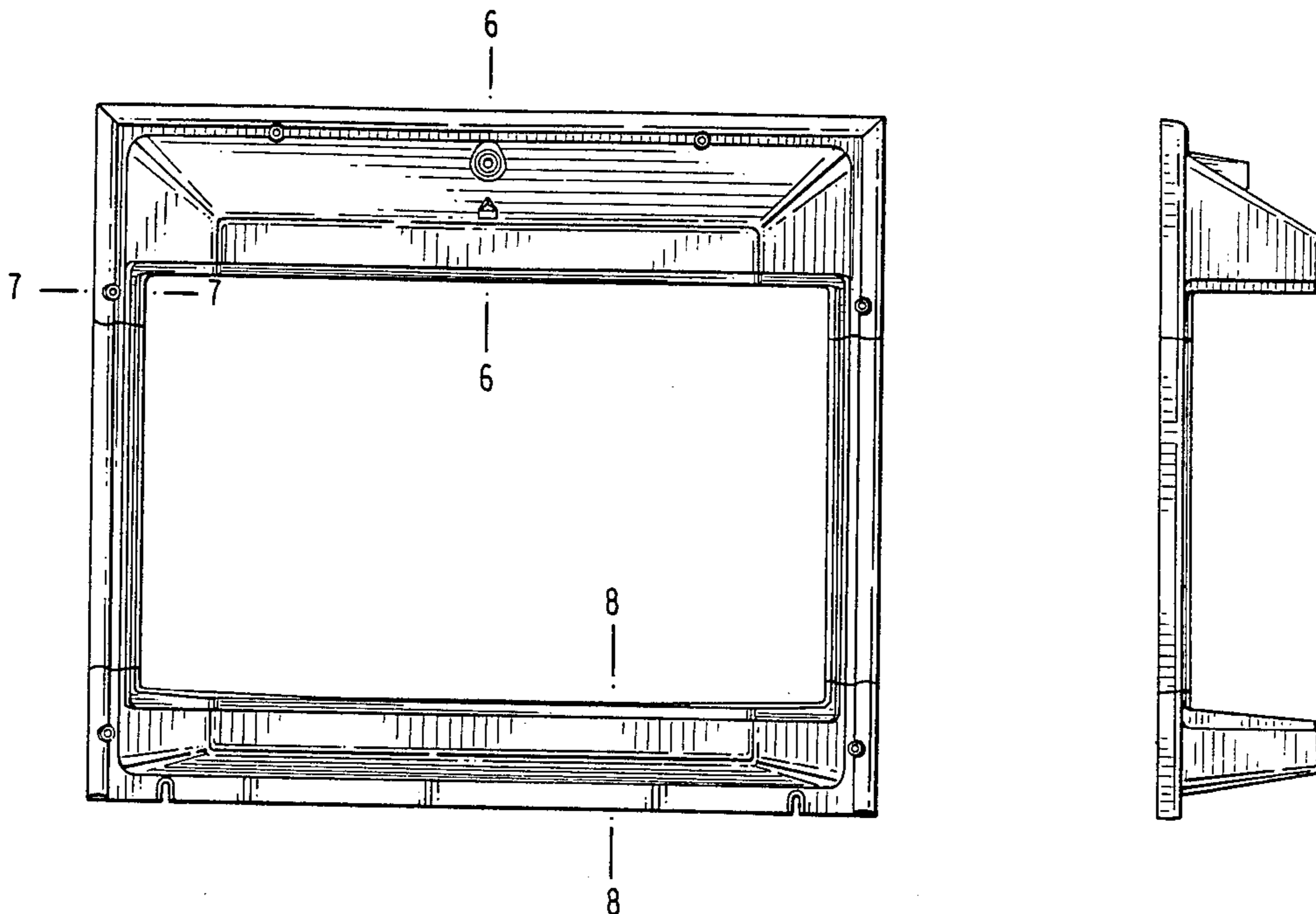


Fig. 1.

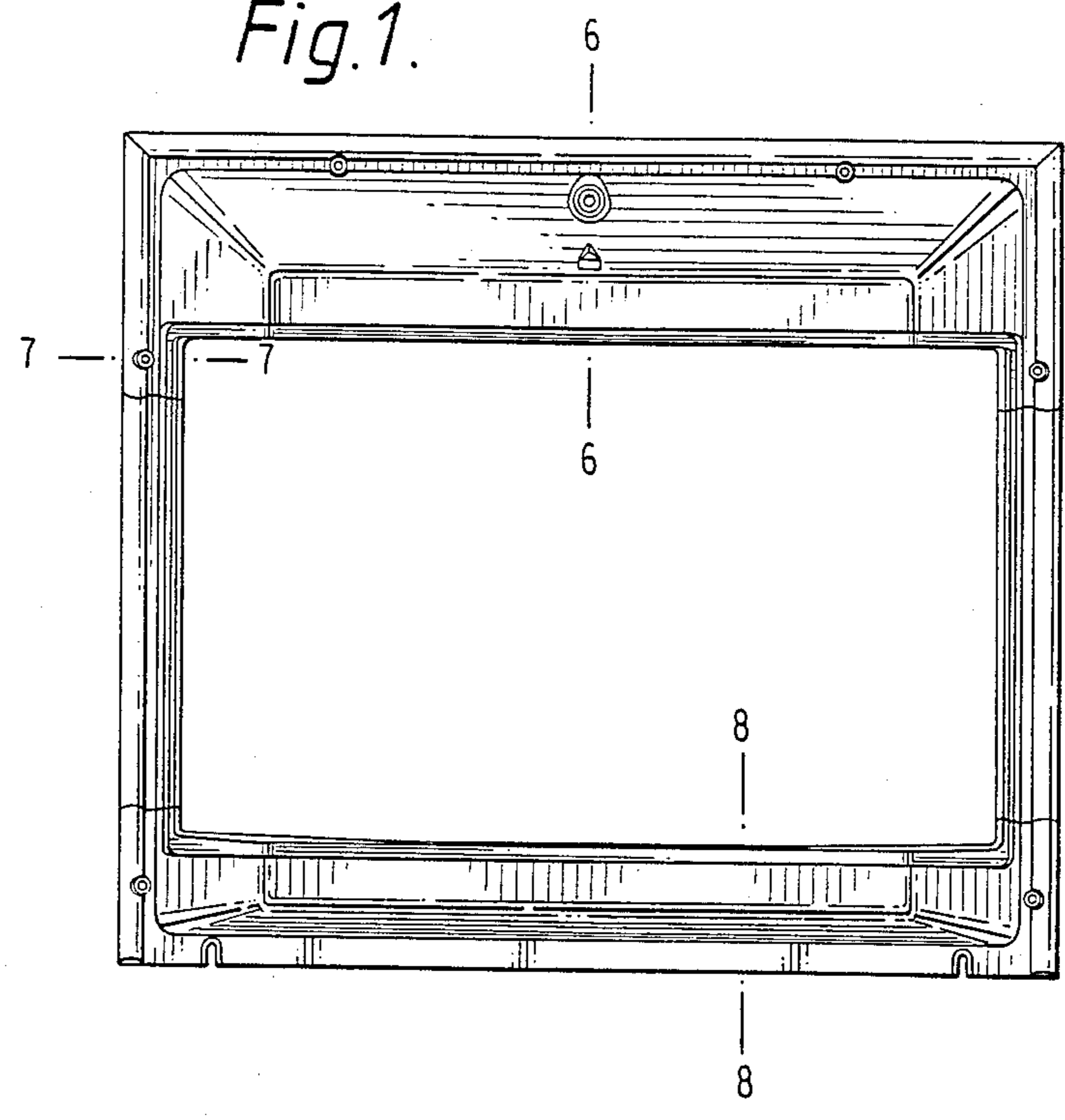


Fig. 2.

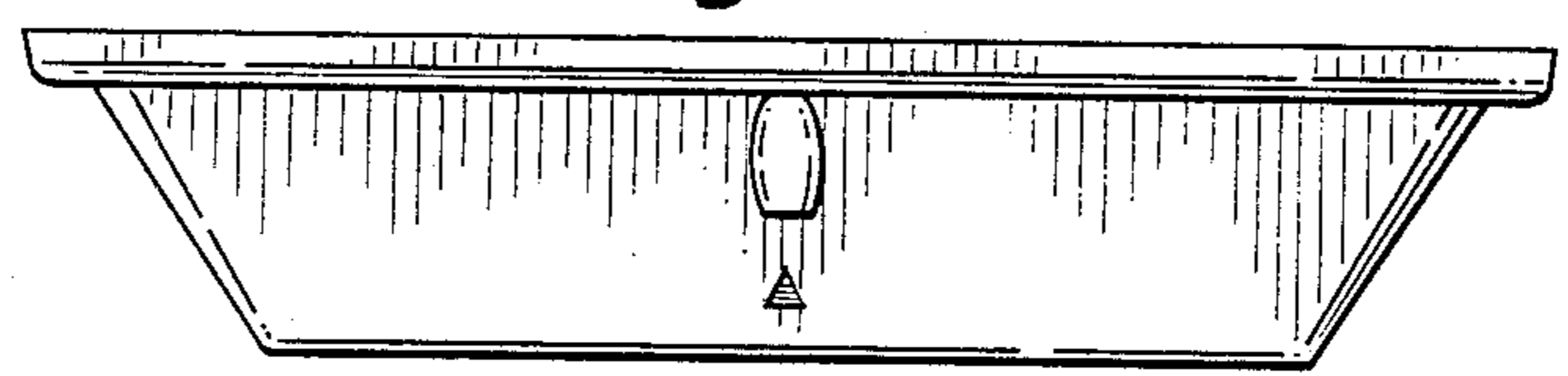


Fig. 3.

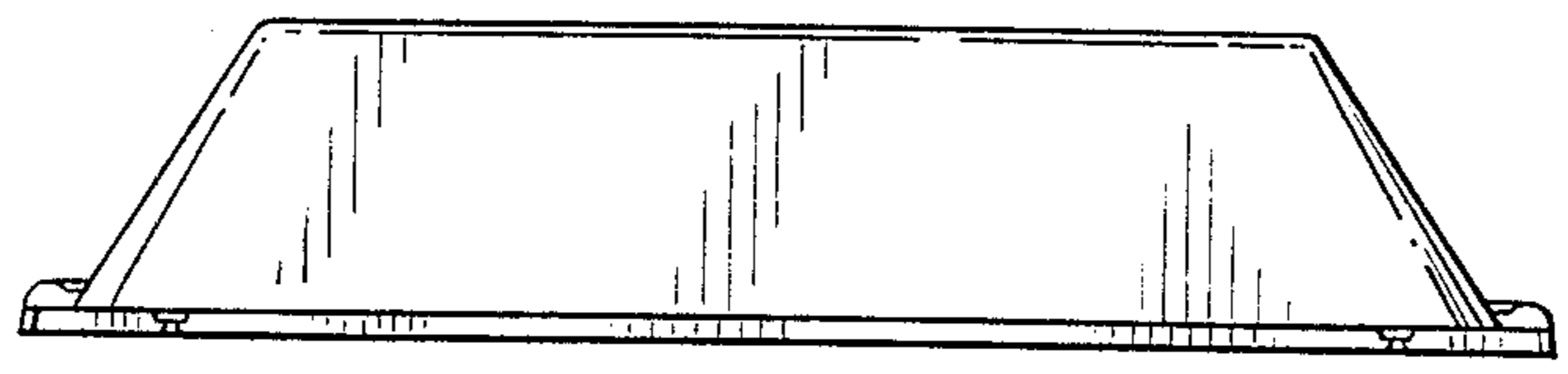


Fig.4.

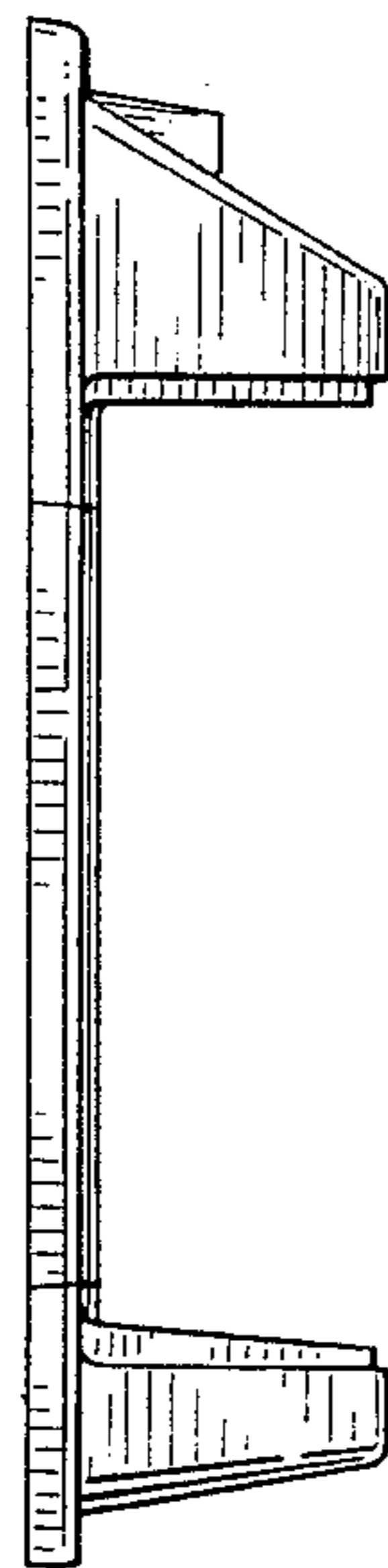
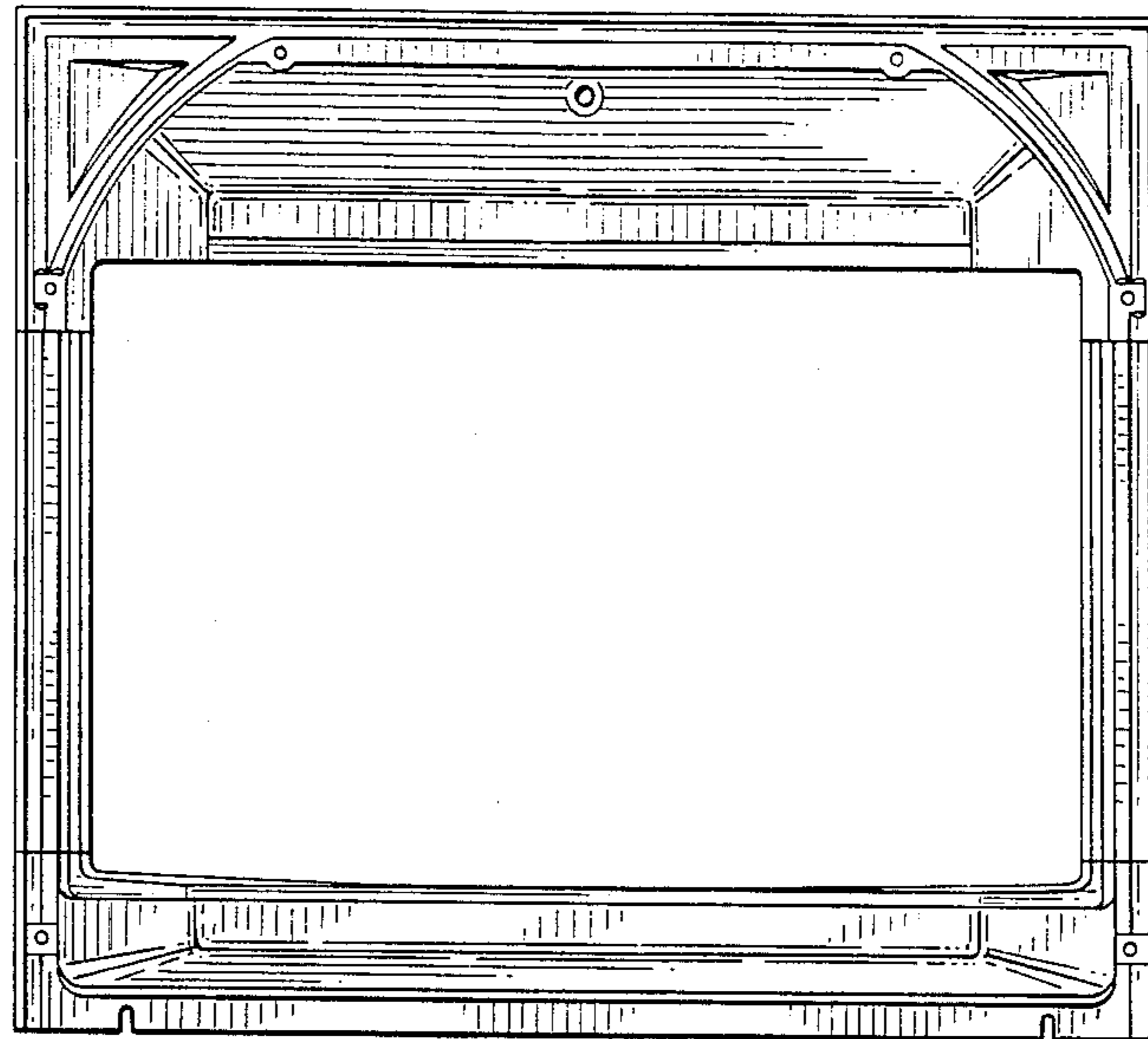


Fig.5.

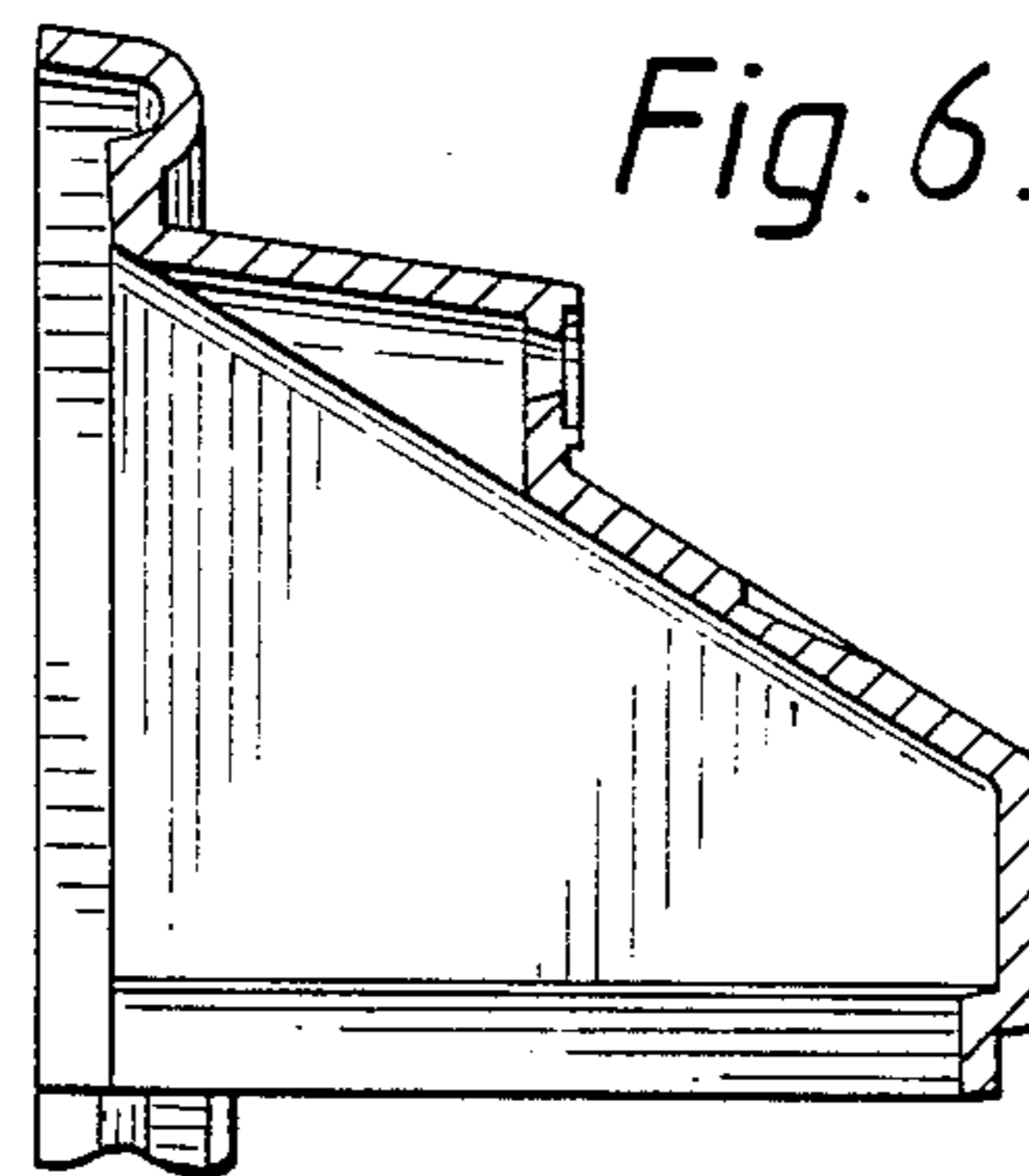


Fig.6.

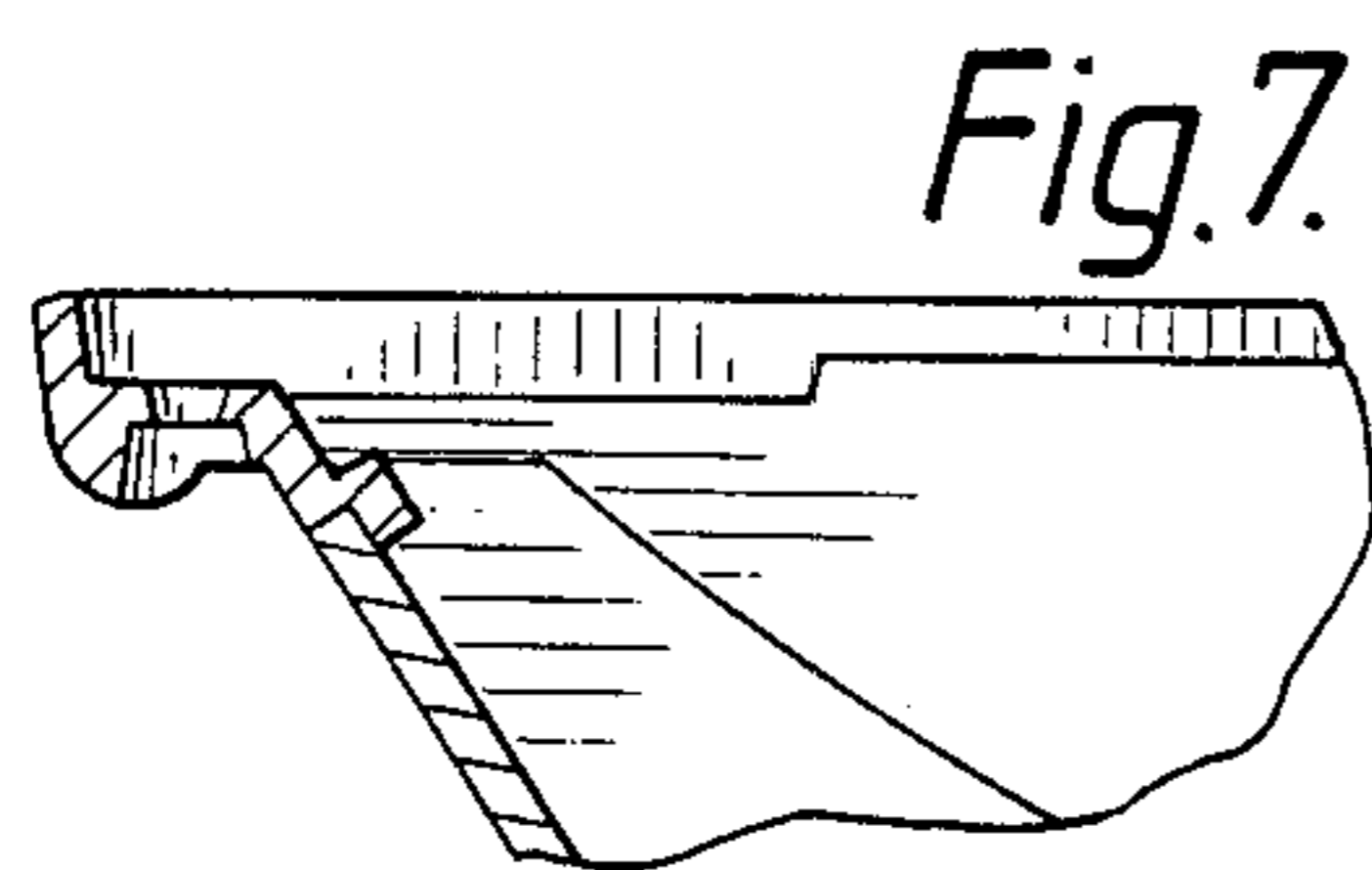


Fig.7.

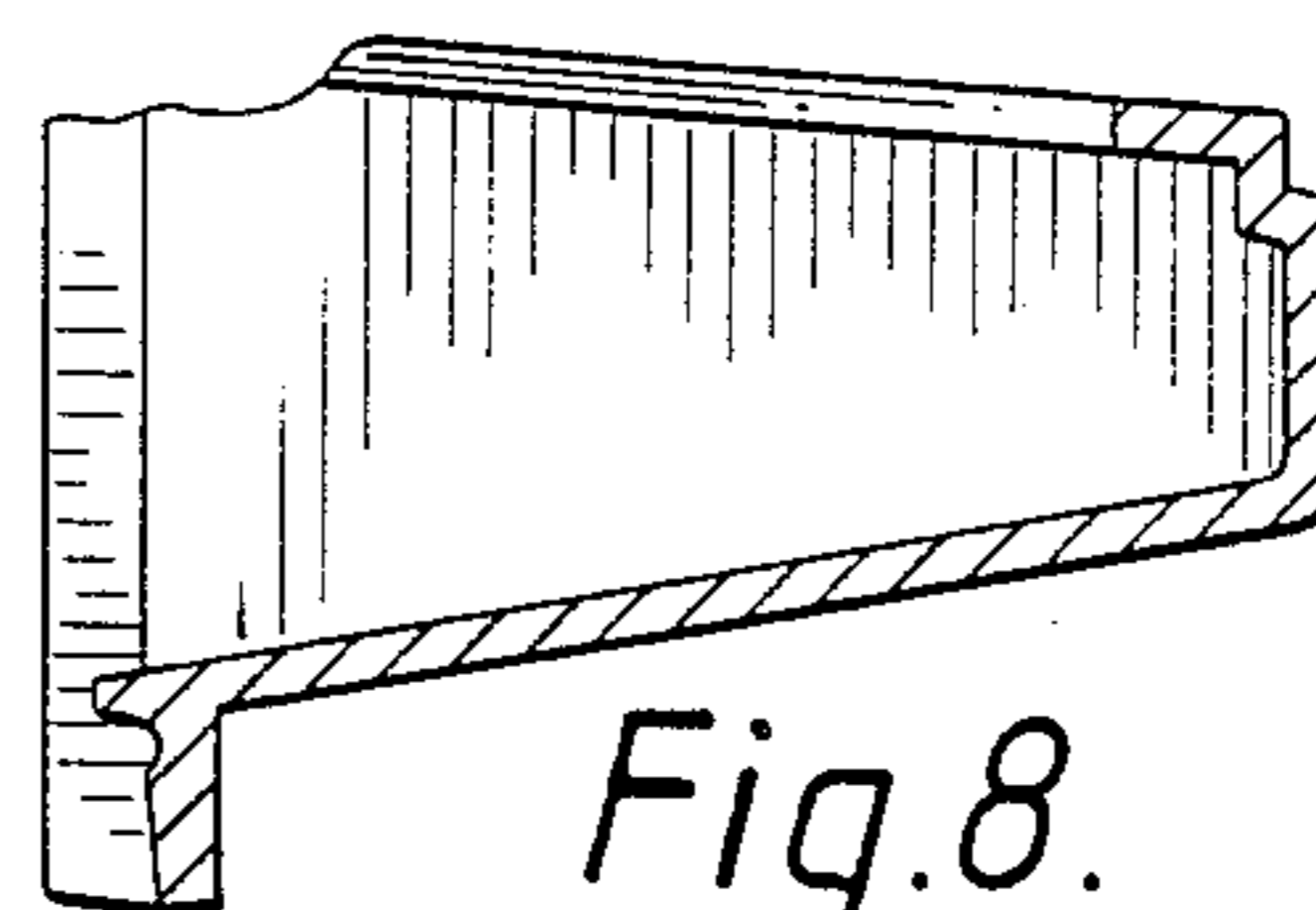


Fig.8.