

[54] DISPENSING NOZZLE BODY

[75] Inventors: Arthur C. Fink, Jr., Lonedell;
William L. Tomes, Pacific; Grenville
G. Sutcliffe, Villa Ridge, all of Mo.

[73] Assignee: Husky Corporation, Pacific, Mo.

[**] Term: 14 Years

[21] Appl. No.: 862,408

[22] Filed: May 9, 1986

[52] U.S. Cl. D23/226

[58] Field of Search D23/213, 222-230;
141/206, 217, 392

[56] References Cited

U.S. PATENT DOCUMENTS

D. 107,752	1/1938	Dom	D23/226
D. 132,994	7/1942	Neef, Jr.	D23/226
D. 219,214	11/1970	Eklund	D23/226
D. 223,915	6/1972	Brown et al.	D23/226
D. 263,618	3/1982	Taylor	D23/226

1,883,843	10/1932	Woodford	D23/226 X
3,502,121	3/1970	Moore et al.	141/207
3,719,215	3/1973	Murray	141/207
4,378,824	4/1983	Carder, Sr.	141/206

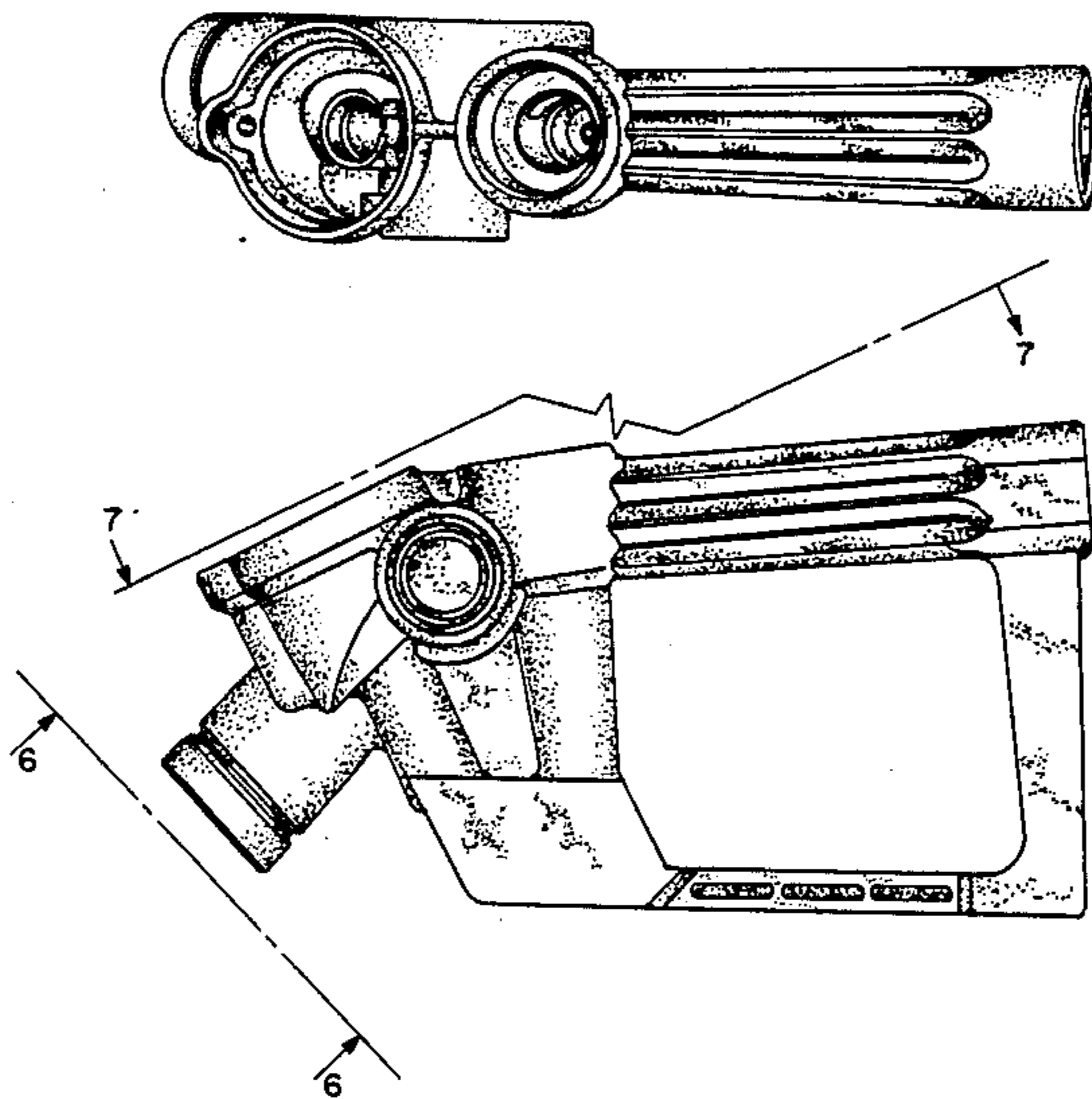
Primary Examiner—James R. Largen
Attorney, Agent, or Firm—Paul M. Denk

[57] CLAIM

The ornamental design for the dispensing nozzle body,
as shown and described.

DESCRIPTION

FIG. 1 is a top plan view of a dispensing nozzle body
showing my new design;
FIG. 2 is a right side elevational view thereof;
FIG. 3 is a bottom plan view thereof;
FIG. 4 is a left side elevational view thereof;
FIG. 5 is a rear elevational view thereof;
FIG. 6 is an elevational view taken on the plane of the
line 6—6 of FIG. 2; and
FIG. 7 is an elevational view taken on the plane of line
7—7 of FIG. 2.



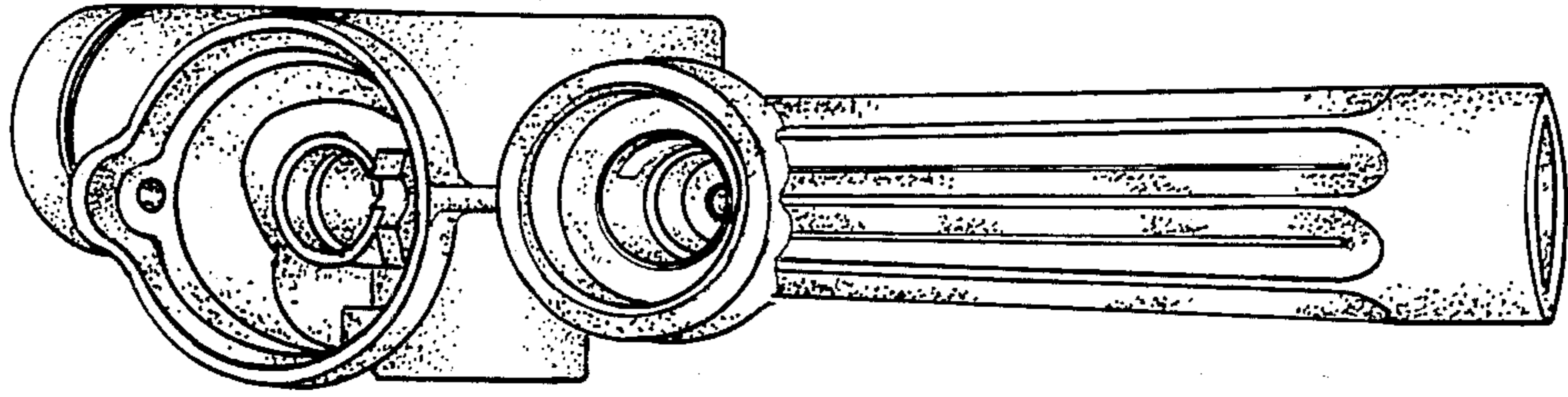


FIG. 1.

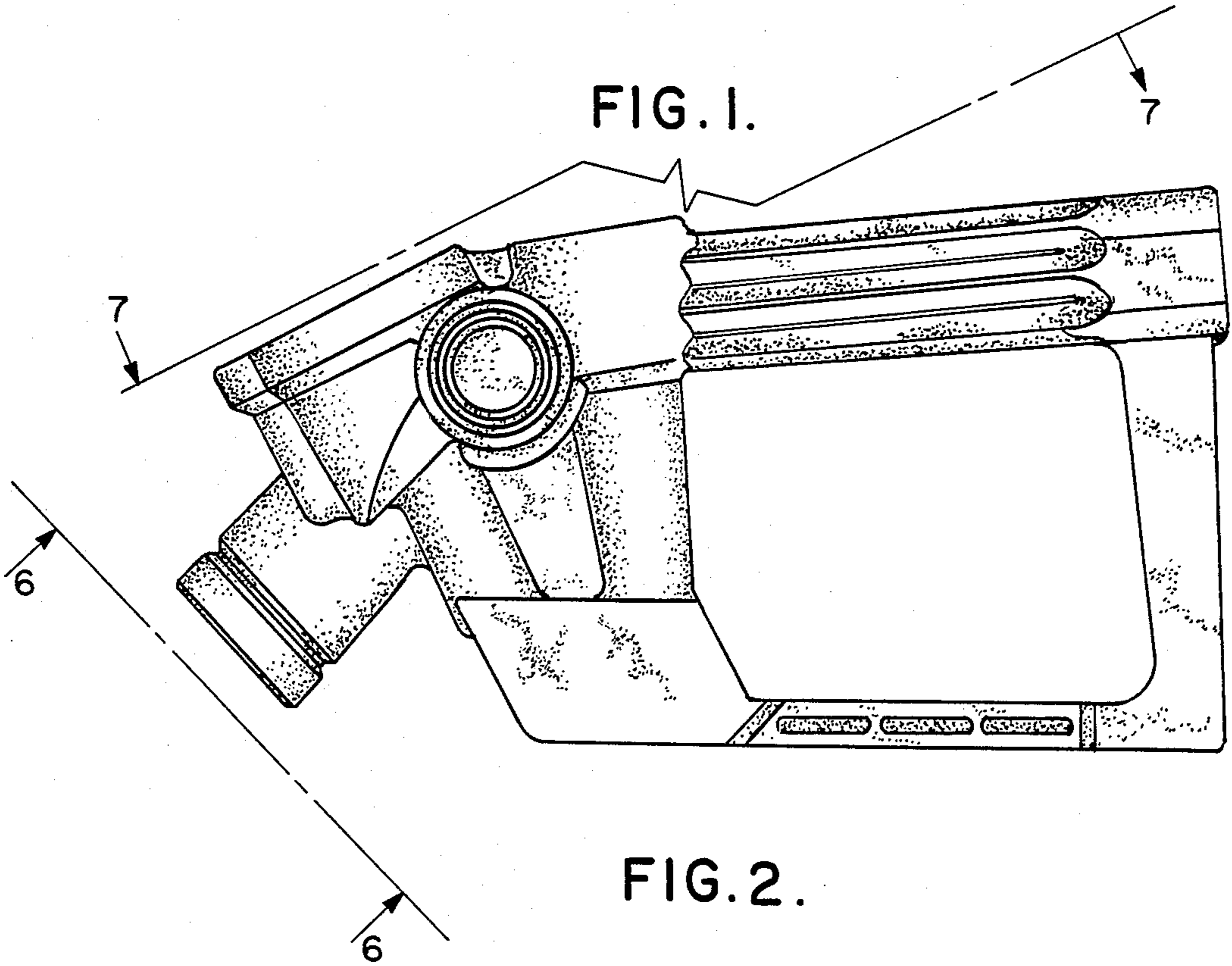


FIG. 2.

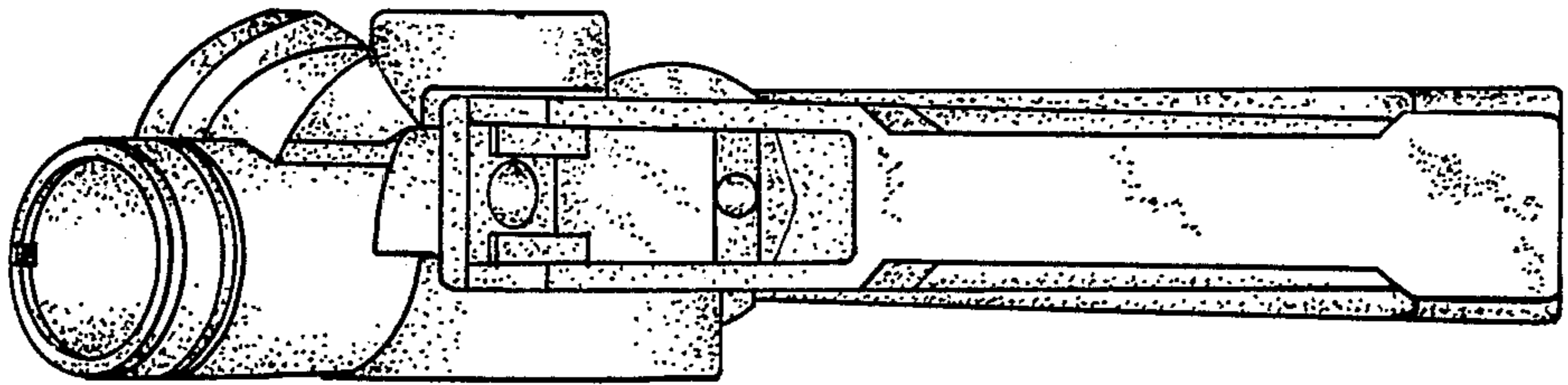


FIG. 3.

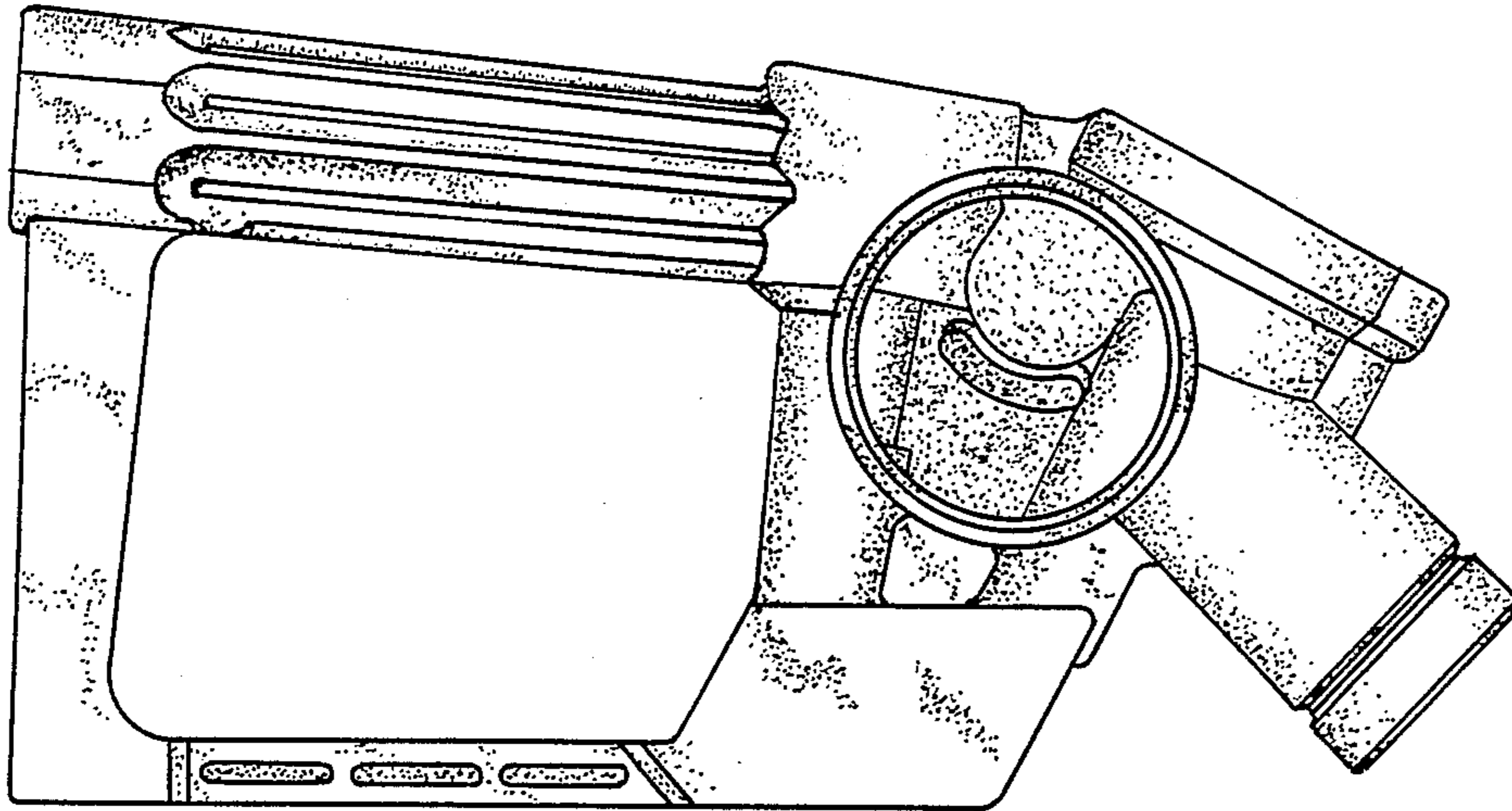


FIG. 4.

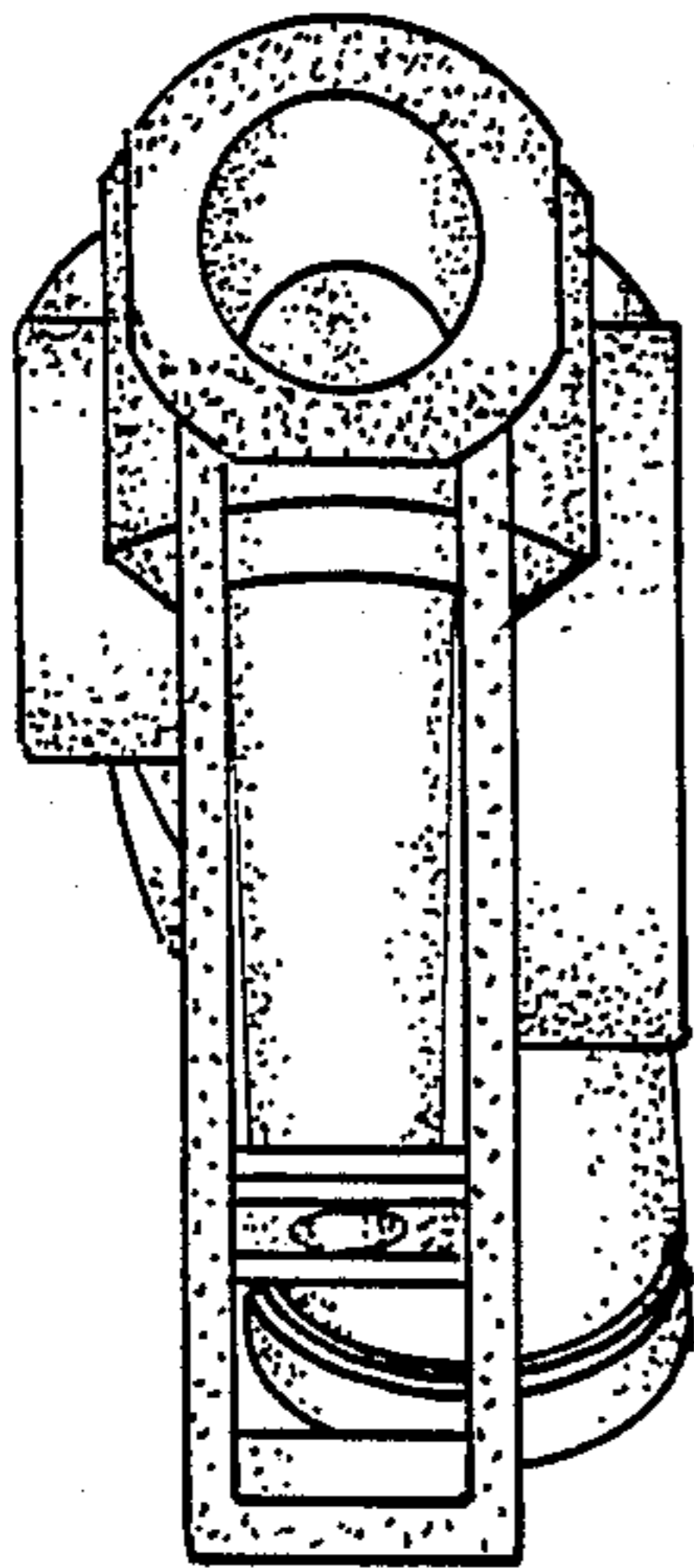


FIG. 5.

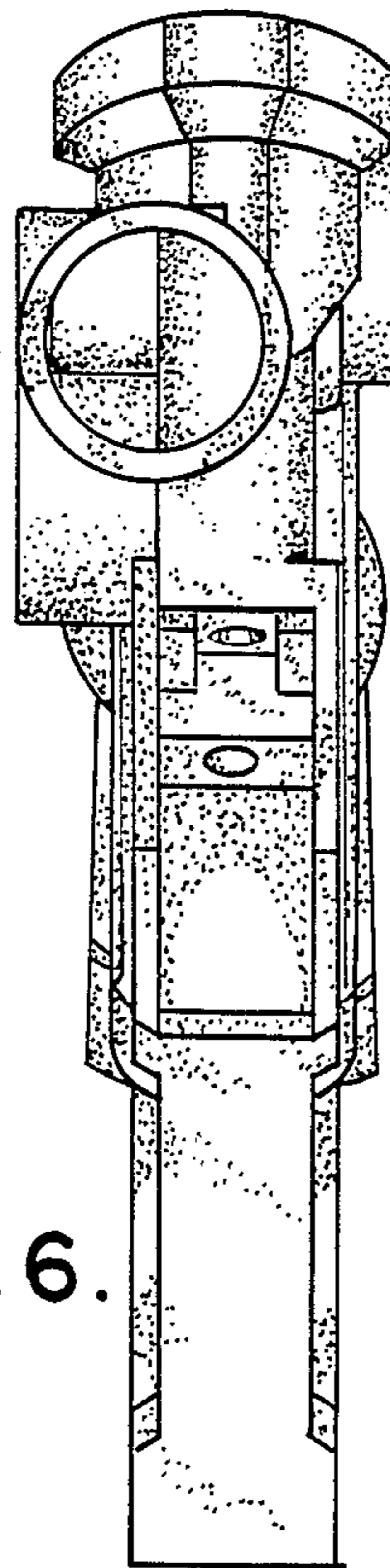


FIG. 6.

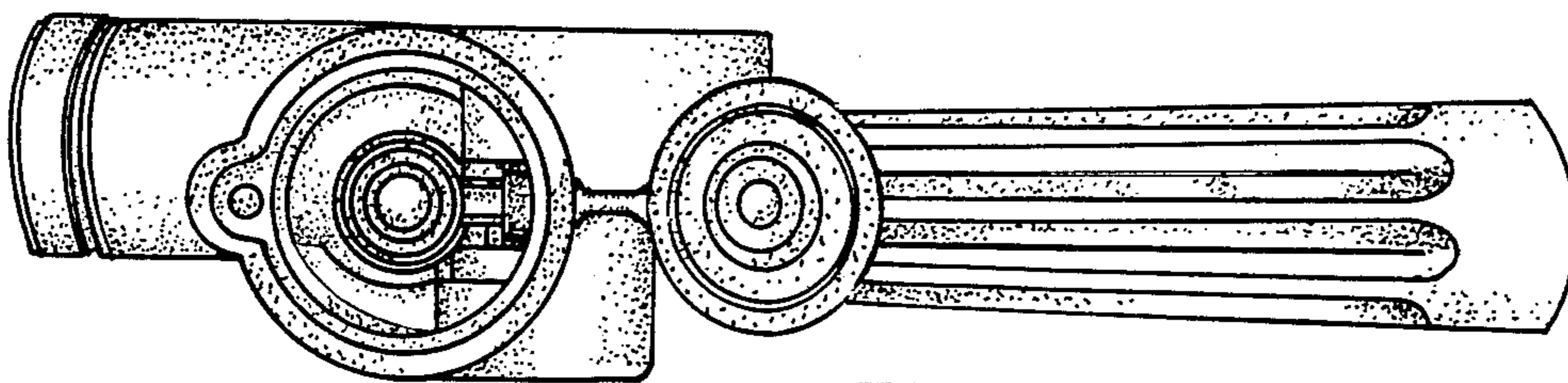


FIG. 7.