

[54] **FLY CATCHER**
[76] **Inventor: Paul H. Hunter, 912 River Rd.,
Piscataway, N.J. 08854**
[**] **Term: 14 Years**
[21] **Appl. No.: 50,075**
[22] **Filed: May 15, 1987**
[52] **U.S. Cl. D22/122**
[58] **Field of Search 43/122, 107, 111;
D22/119, 122, 123**

1,666,785 4/1928 March 43/122
1,734,818 11/1929 March 43/122

FOREIGN PATENT DOCUMENTS

2362585 4/1978 France 43/122

Primary Examiner—A. Hugo Word

[57] **CLAIM**

The ornamental design for a fly catcher, as shown.

DESCRIPTION

FIG. 1 is a front elevational view of a fly catcher showing my design;
FIG. 2 is a bottom plan view thereof;
FIG. 3 is a top plan view thereof; and,
FIG. 4 is a perspective view thereof.

[56] **References Cited**
U.S. PATENT DOCUMENTS
1,297,894 3/1919 Navrot 43/122

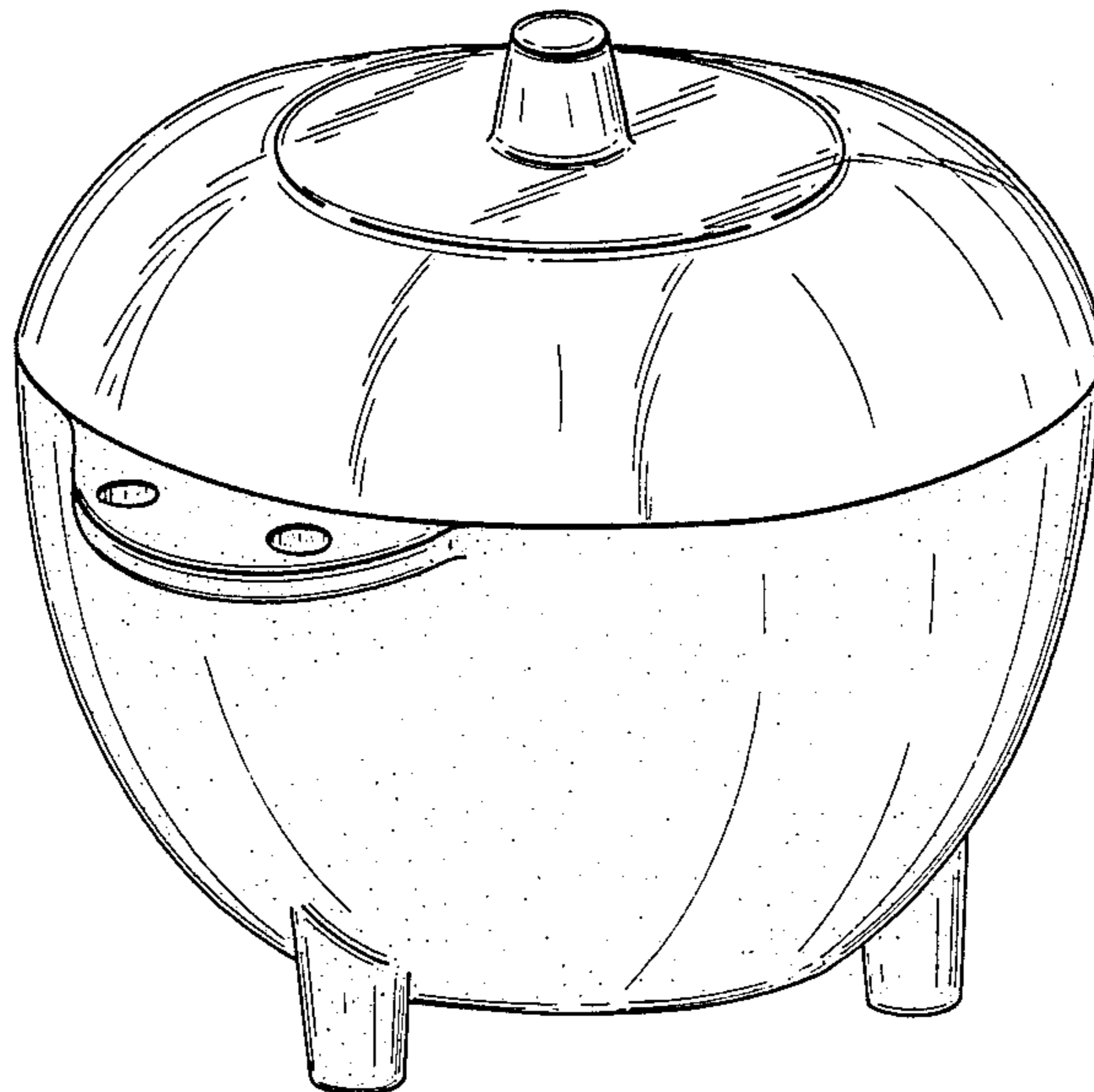


FIG-1

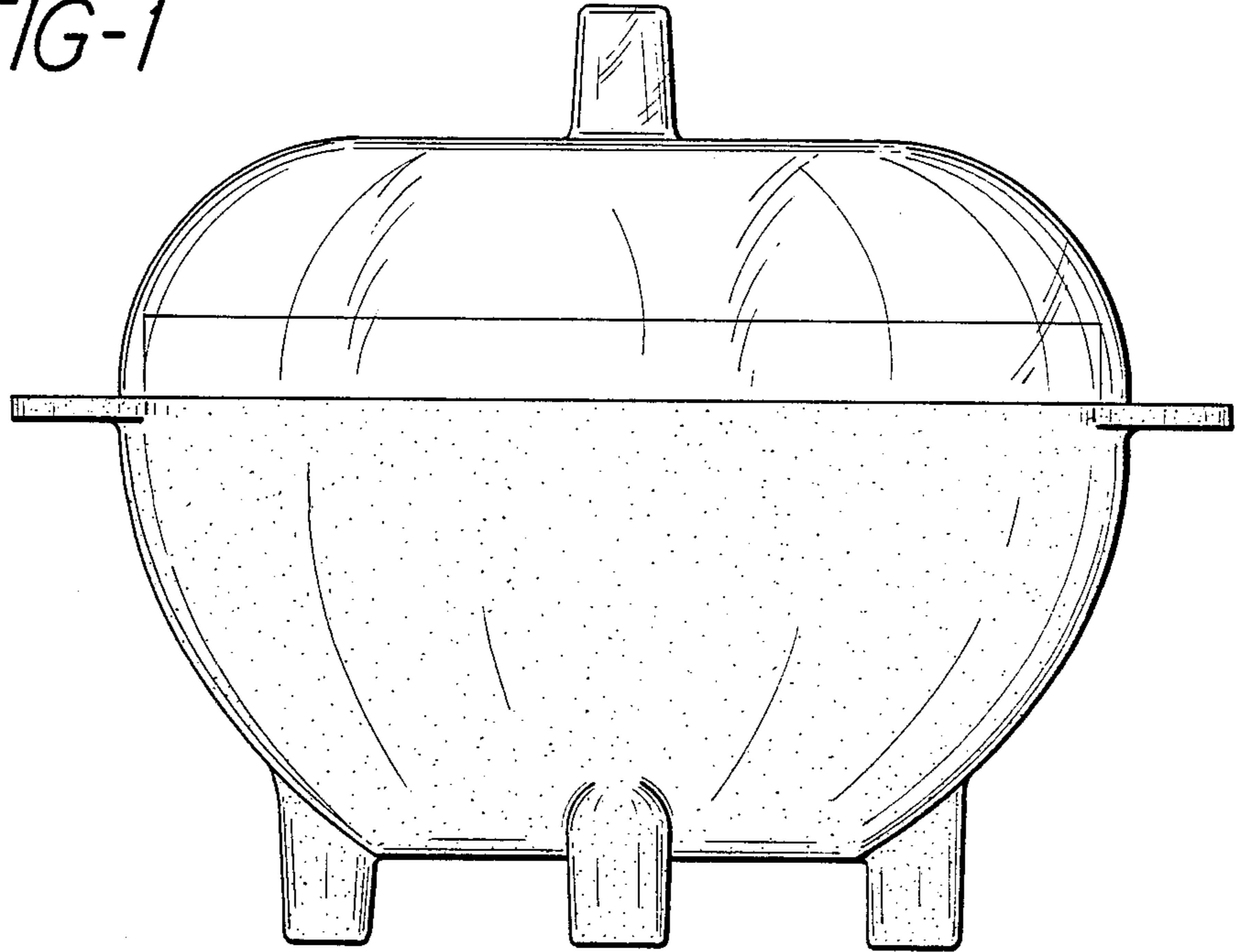


FIG-2

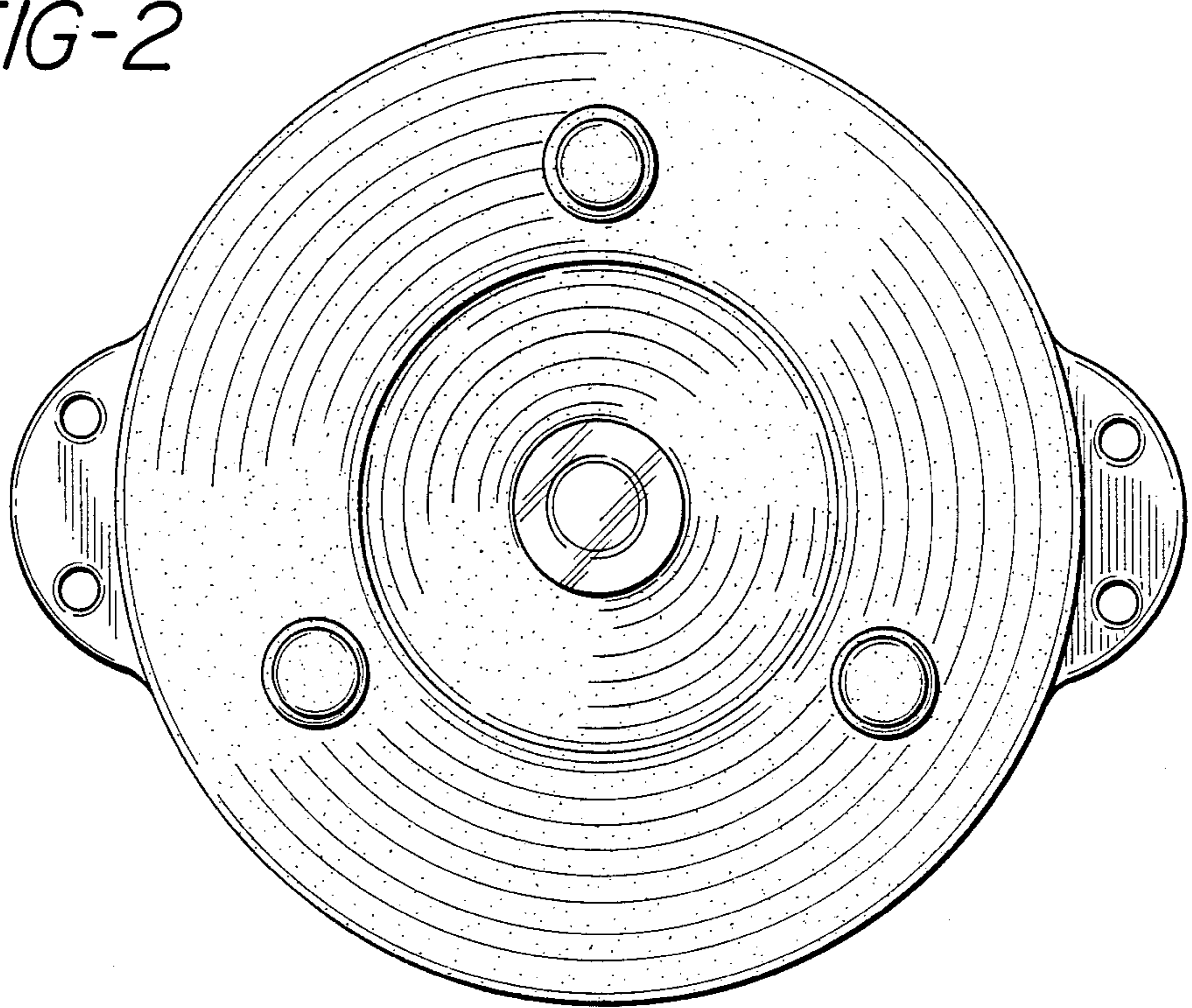


FIG-3

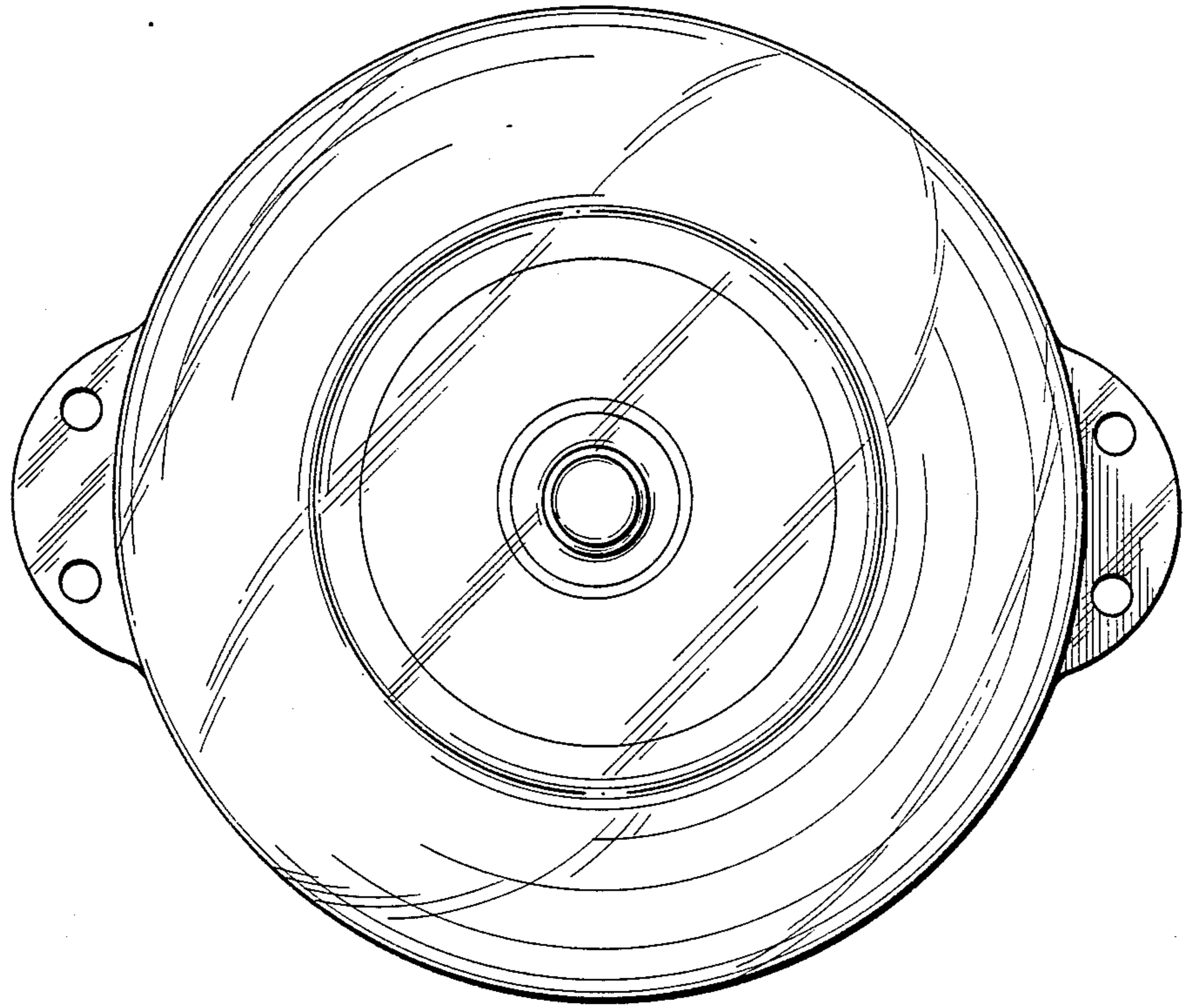


FIG-4

