

[54] RECONFIGURABLE TOY VEHICLE

[75] Inventor: Takayoshi Doi, Ichikawa, Japan

[73] Assignee: Takara Co., Ltd., Tokyo, Japan

[**] Term: 14 Years

[21] Appl. No.: 947,545

[22] Filed: Dec. 29, 1986

[30] Foreign Application Priority Data

Nov. 5, 1986 [JP] Japan 61-43673

[52] U.S. Cl. D21/150; D21/136; D21/166

[58] Field of Search D21/128-140, D21/150, 166; 446/71-78, 487; D12/82, 86, 90, 89

[56] References Cited

U.S. PATENT DOCUMENTS

D. 279,592	7/1985	Ogawa	D21/150
D. 279,916	7/1985	Obara	D21/136
D. 281,001	10/1985	Ohno	D21/136
D. 285,465	9/1986	Ohno	D21/136
D. 295,303	4/1988	Matsumoto	D21/136
D. 296,914	7/1988	Matsumoto	D21/136

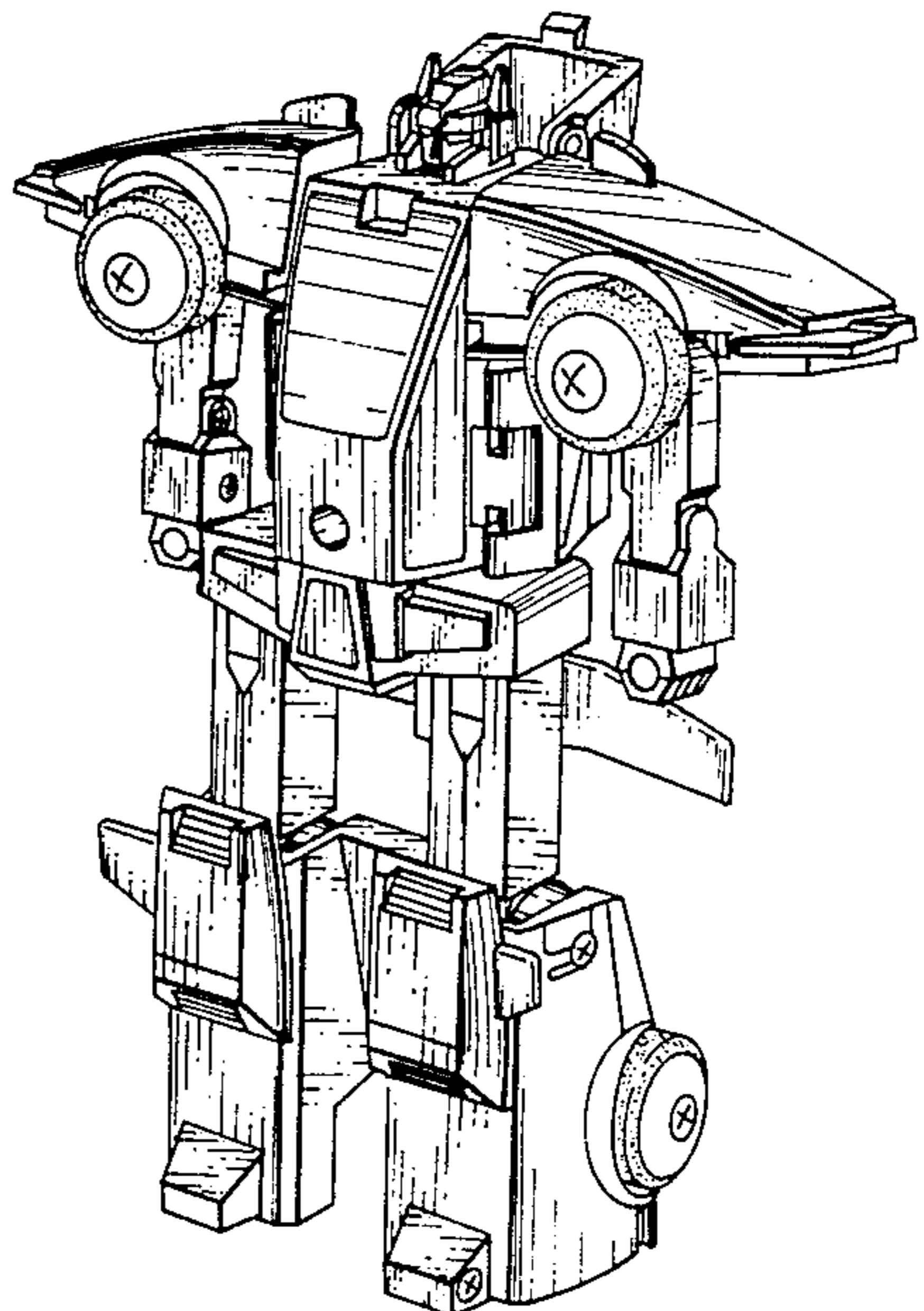
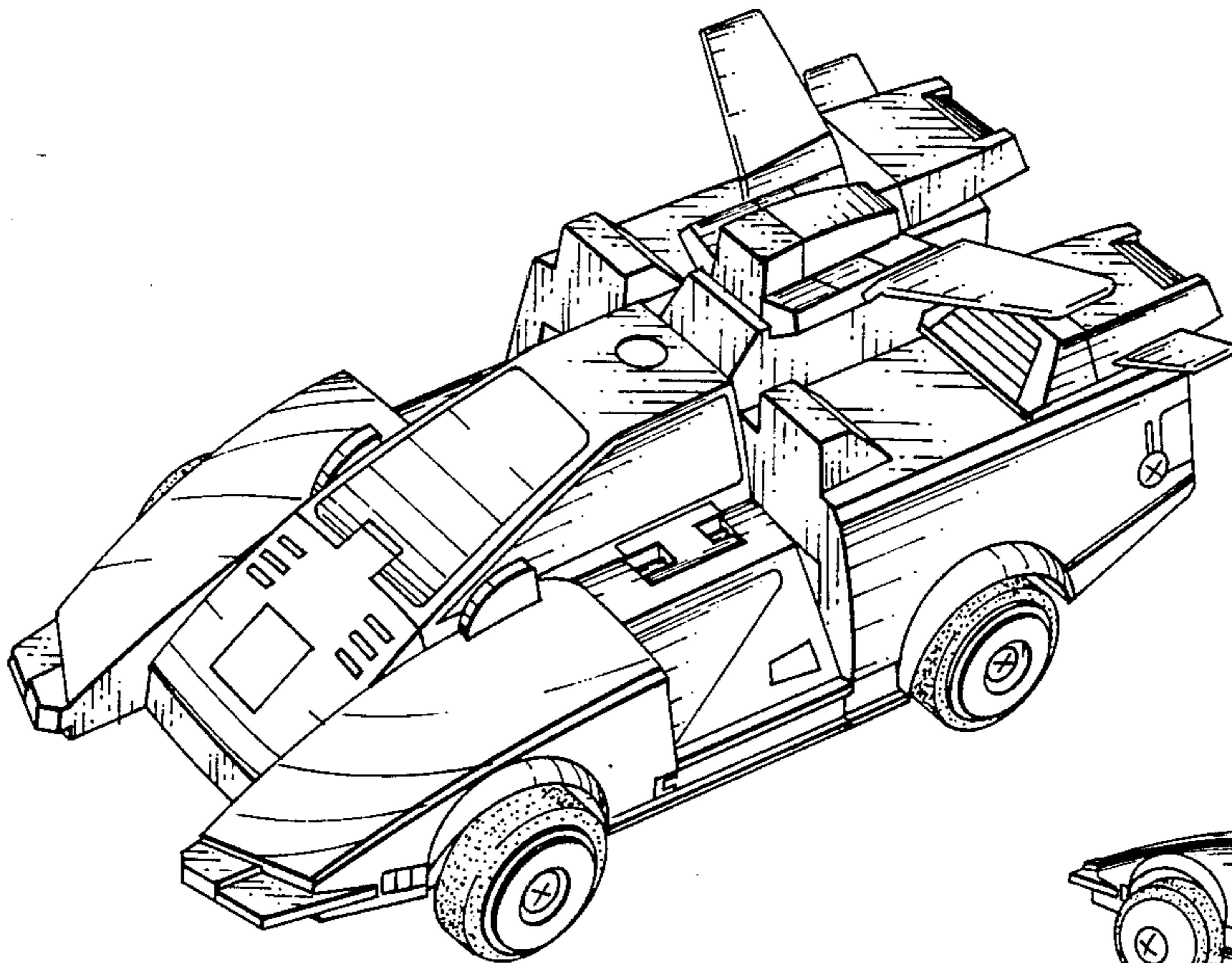
Primary Examiner—Charles A. Rademaker
Attorney, Agent, or Firm—Price, Gess & Ubell

[57] CLAIM

The ornamental design for a reconfigurable toy vehicle, as shown and described.

DESCRIPTION

FIG. 1 is a front perspective view of a reconfigurable toy vehicle showing my new design;
 FIG. 2 is a front elevational view thereof;
 FIG. 3 is a right side elevational view thereof, the side opposite being a mirror image;
 FIG. 4 is a rear elevational view thereof;
 FIG. 5 is a top plan view thereof;
 FIG. 6 is a bottom plan view thereof;
 FIG. 7 is another front perspective view of the design shown in FIGS. 1 through 6 in a humanoid robot configuration;
 FIG. 8 is a front elevational view thereof;
 FIG. 9 is a right side elevational view thereof, the side opposite being a mirror image;
 FIG. 10 is a rear elevational view thereof;
 FIG. 11 is a top plan view thereof; and
 FIG. 12 is a bottom plan view thereof.



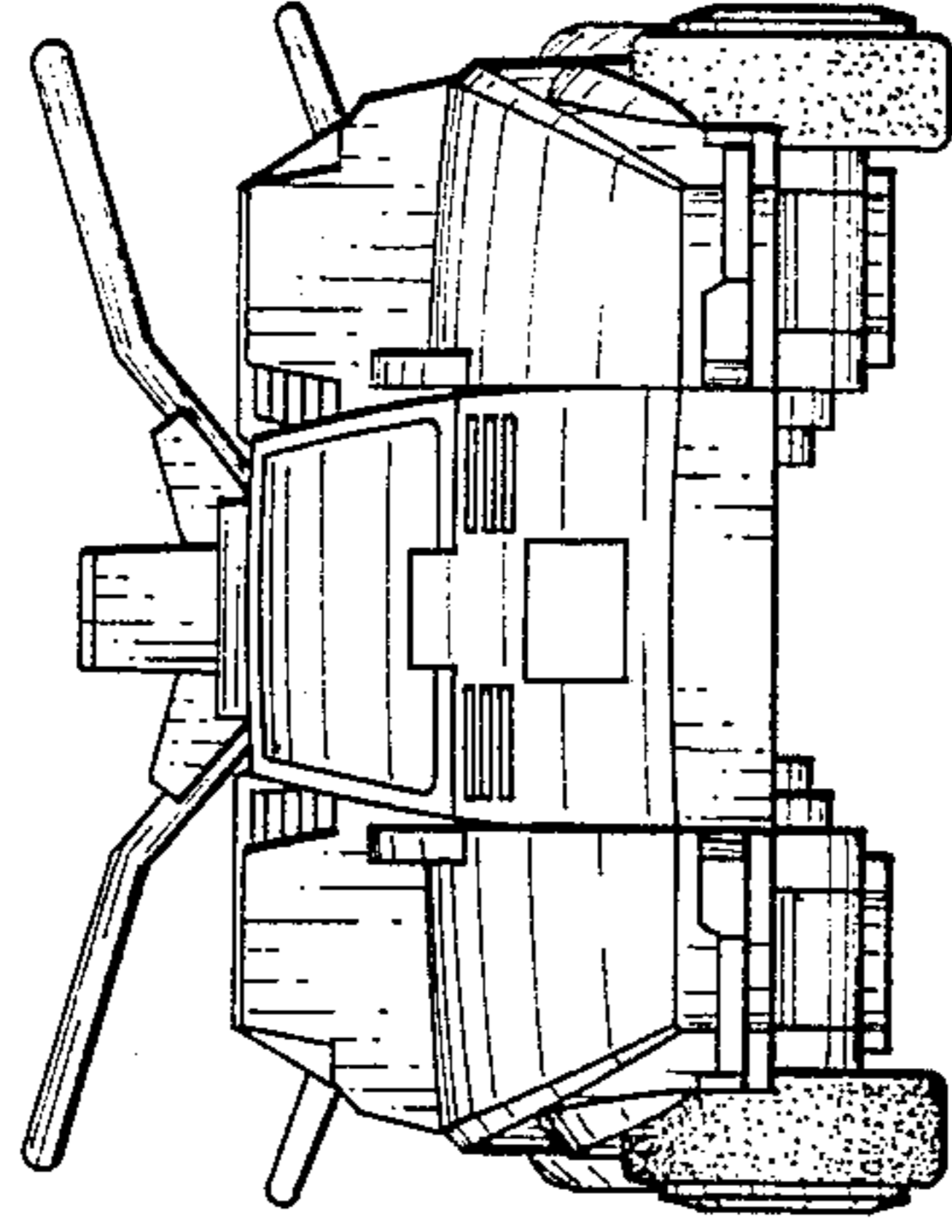


FIG. 2

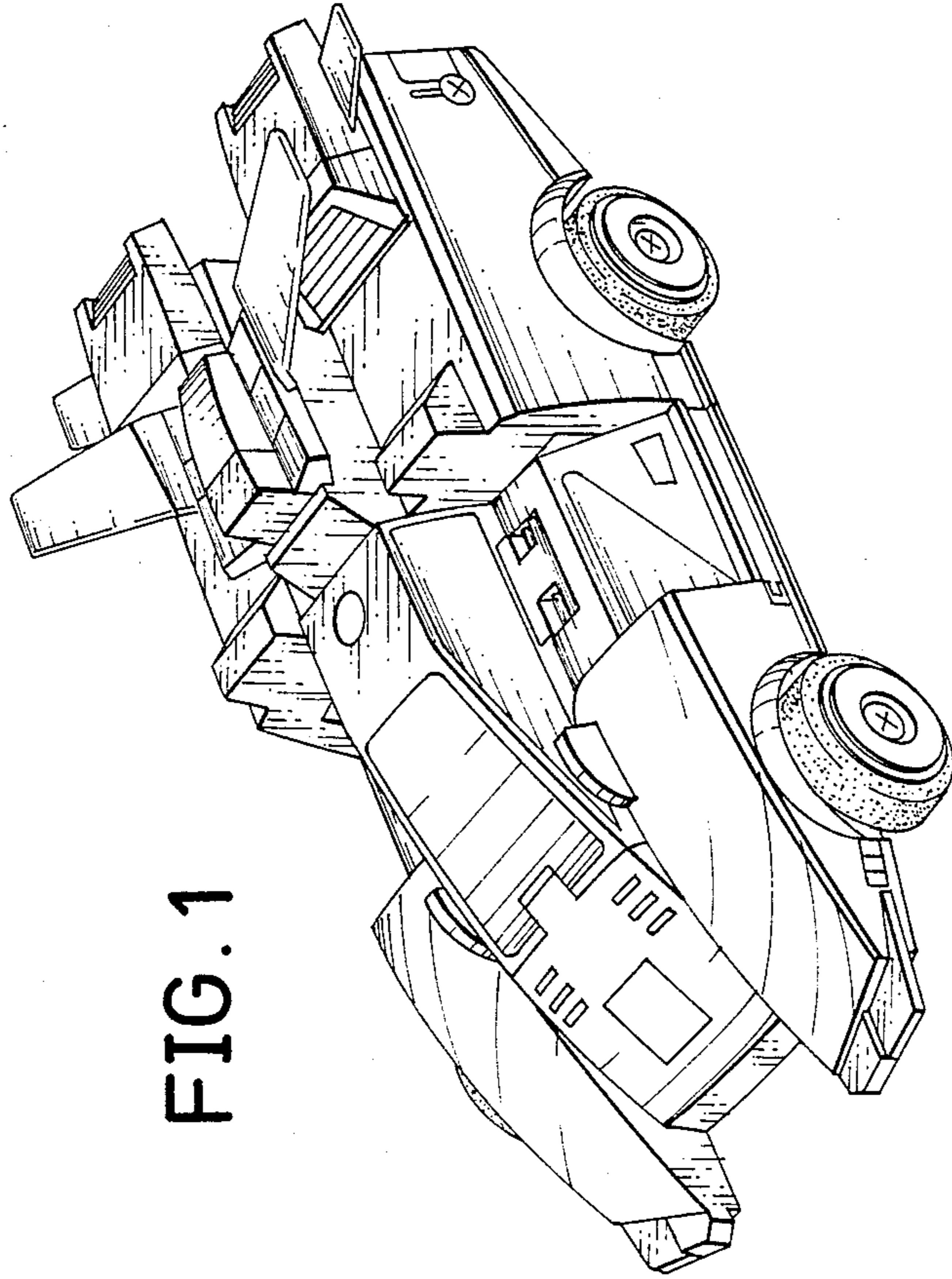


FIG. 1

FIG. 3

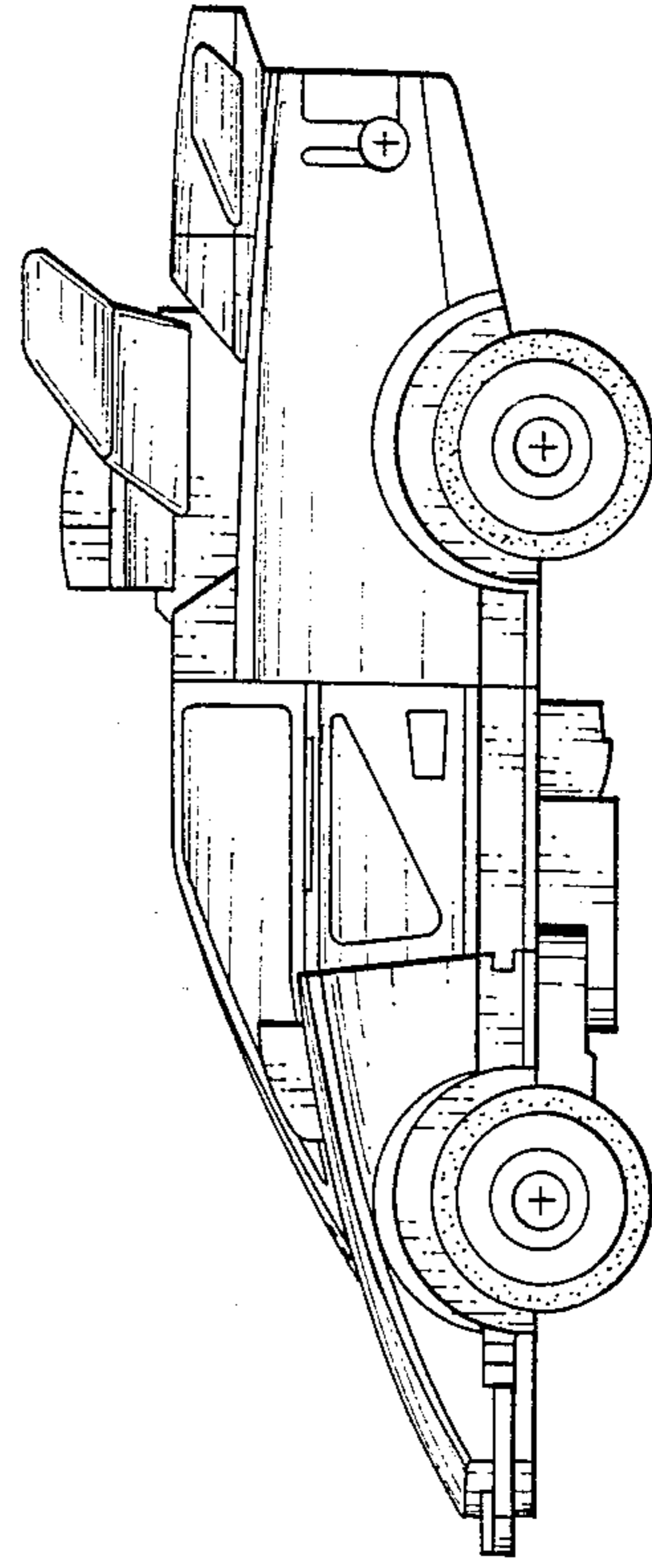


FIG. 6

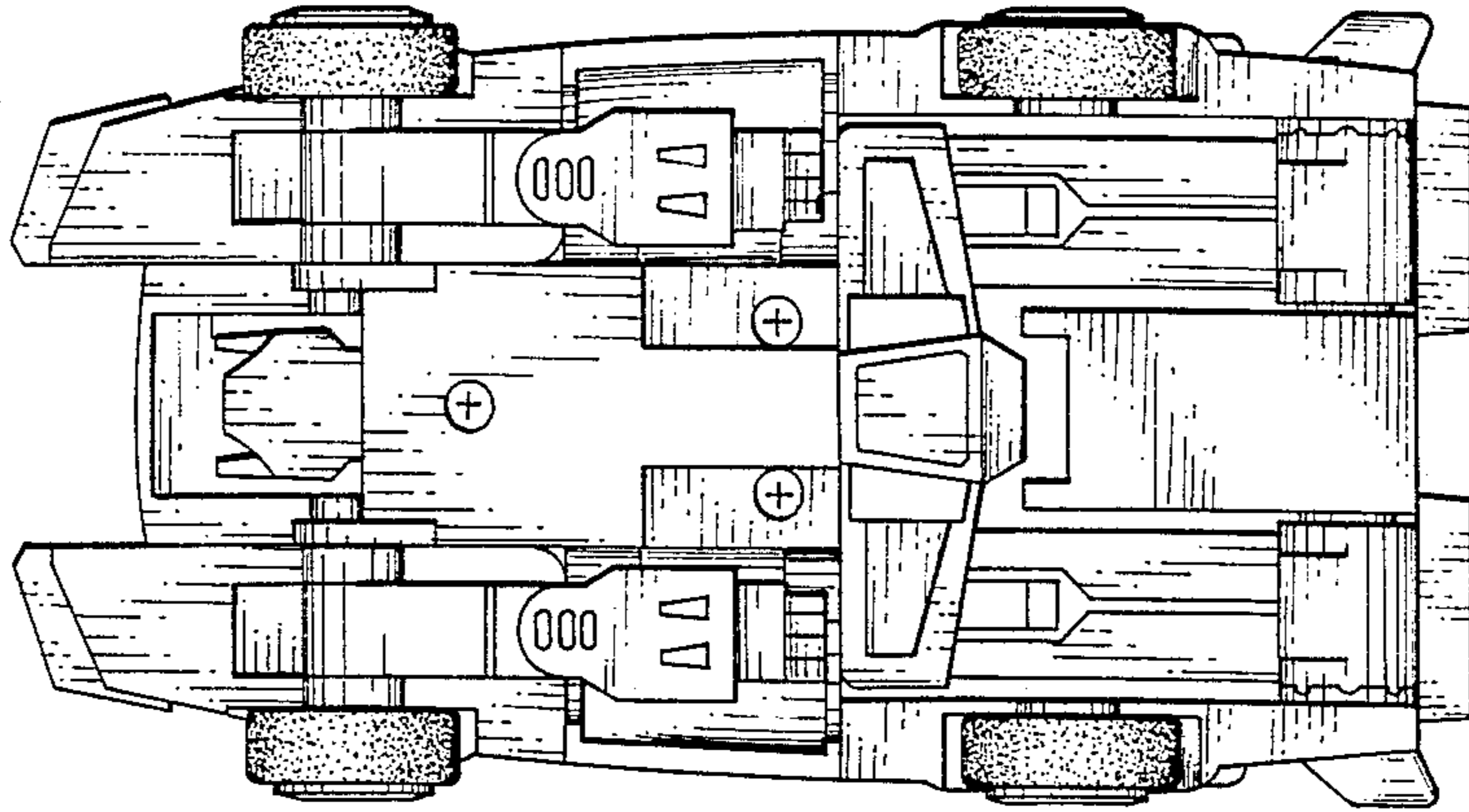


FIG. 5

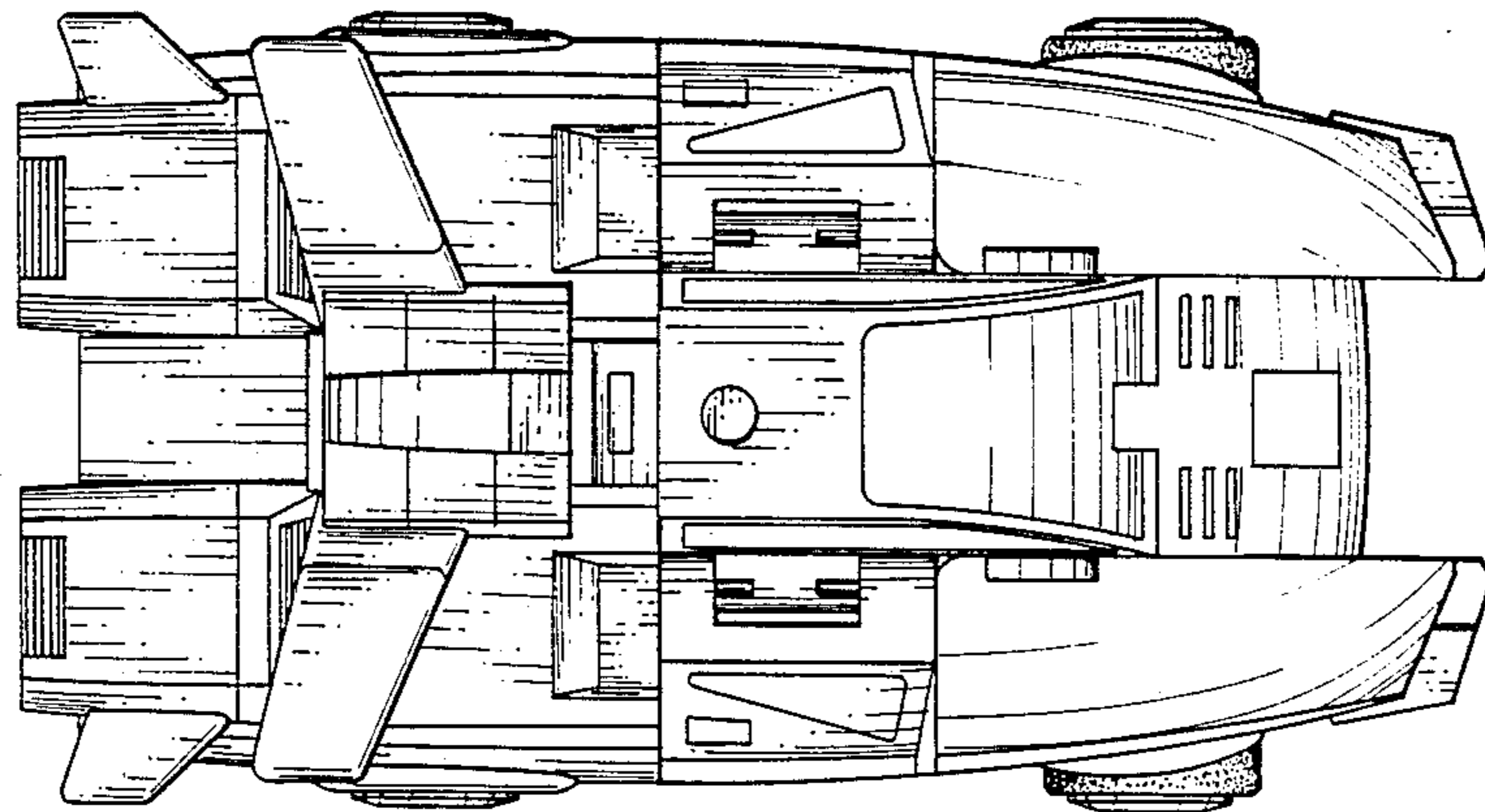


FIG. 4

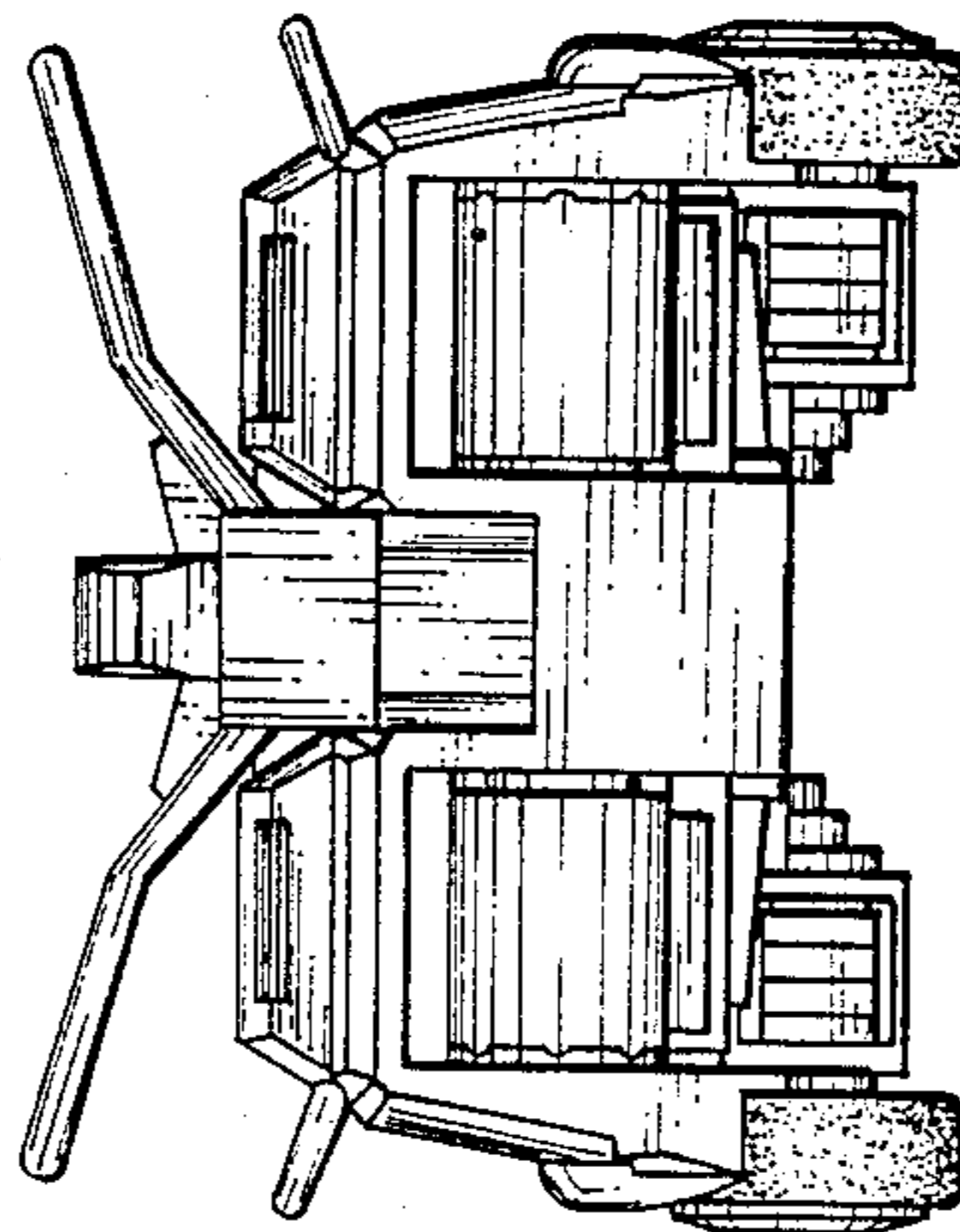


FIG. 8

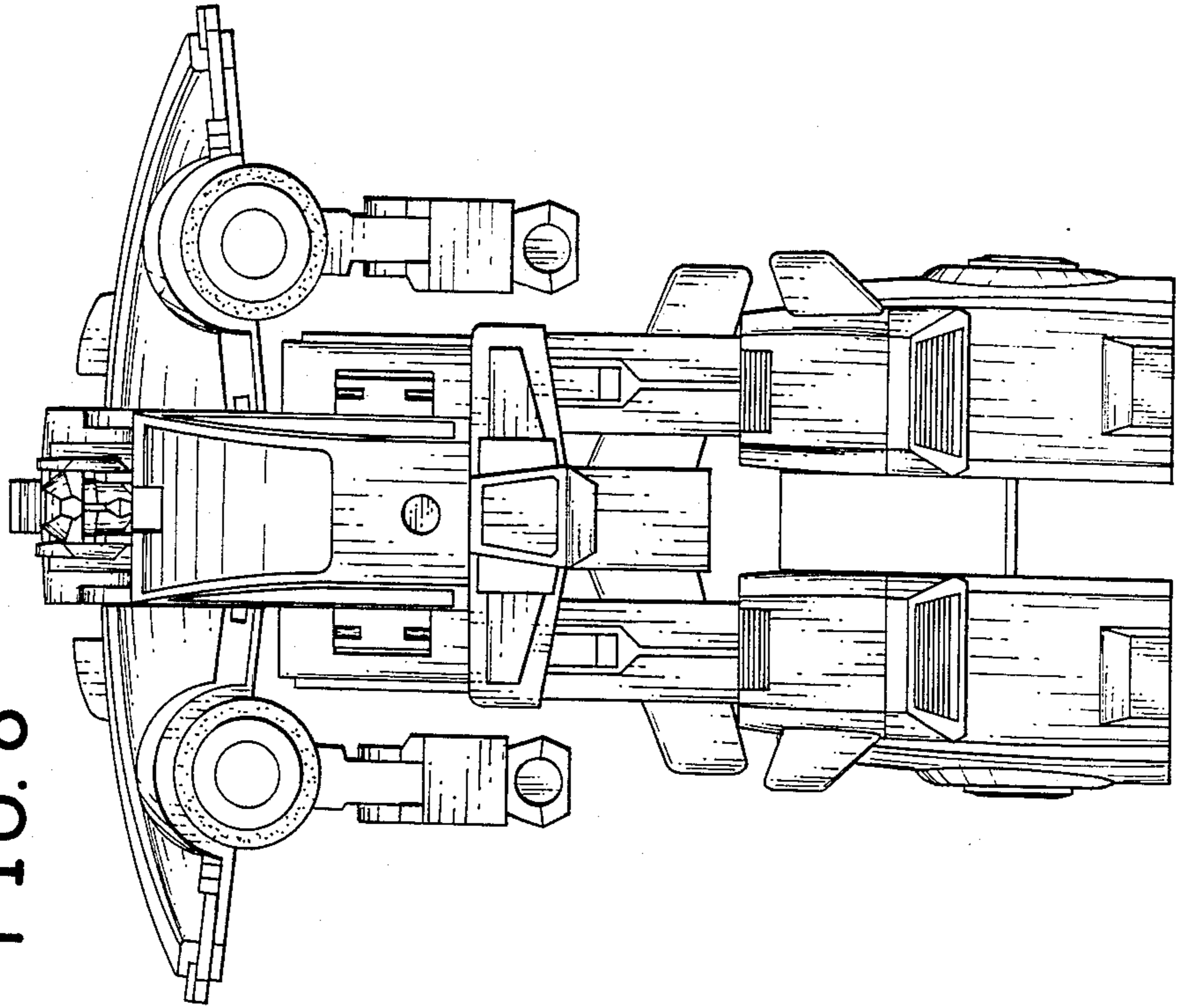


FIG. 7

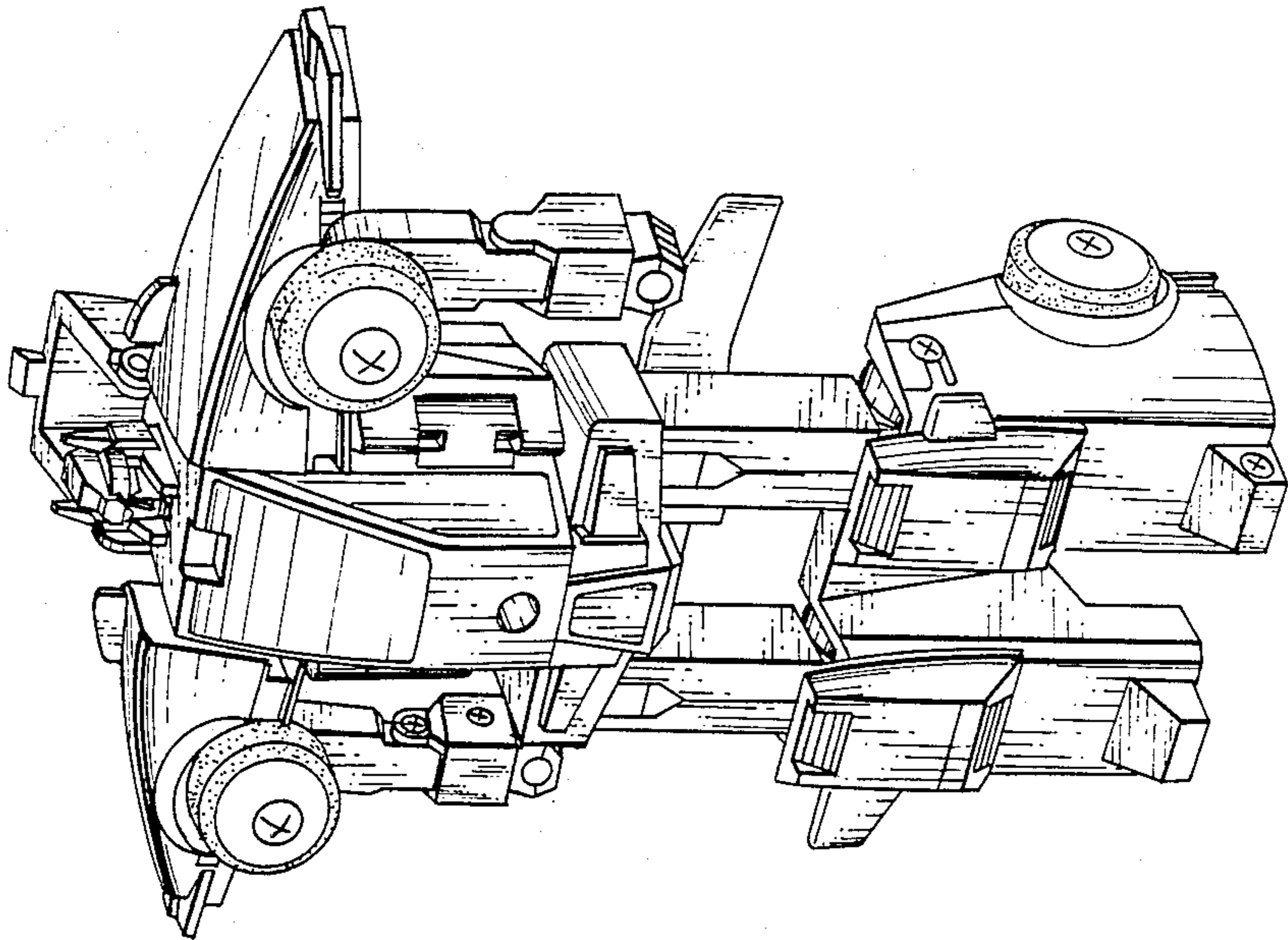


FIG.10

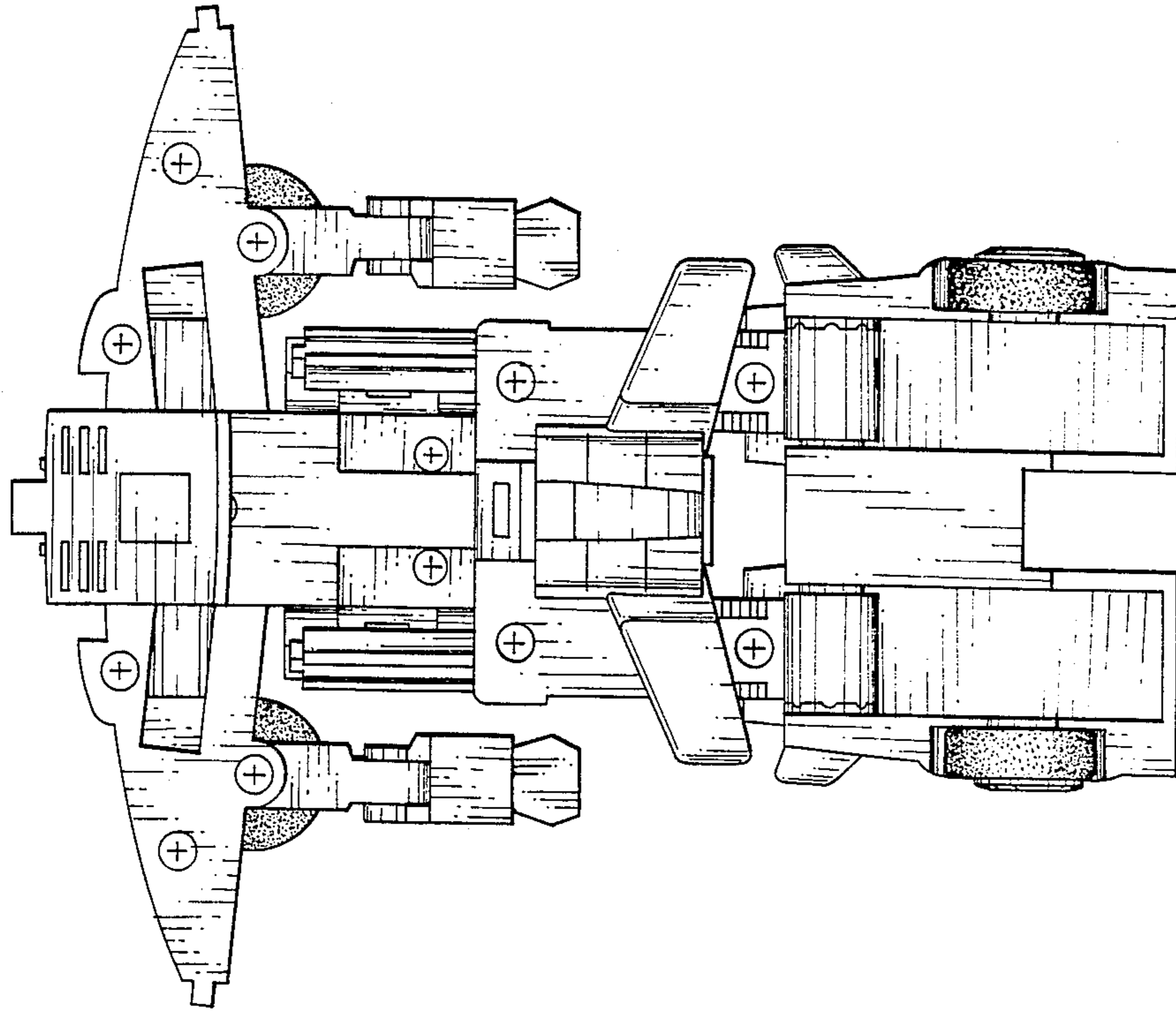


FIG. 9

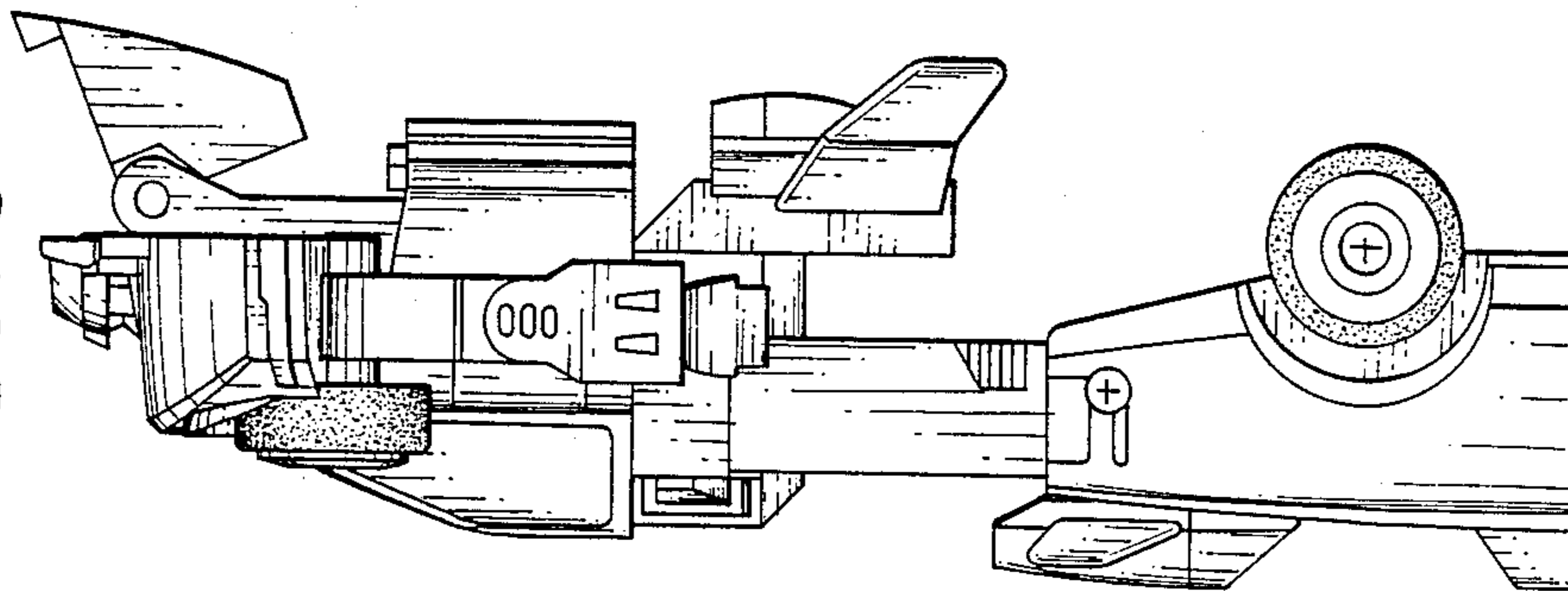


FIG.11

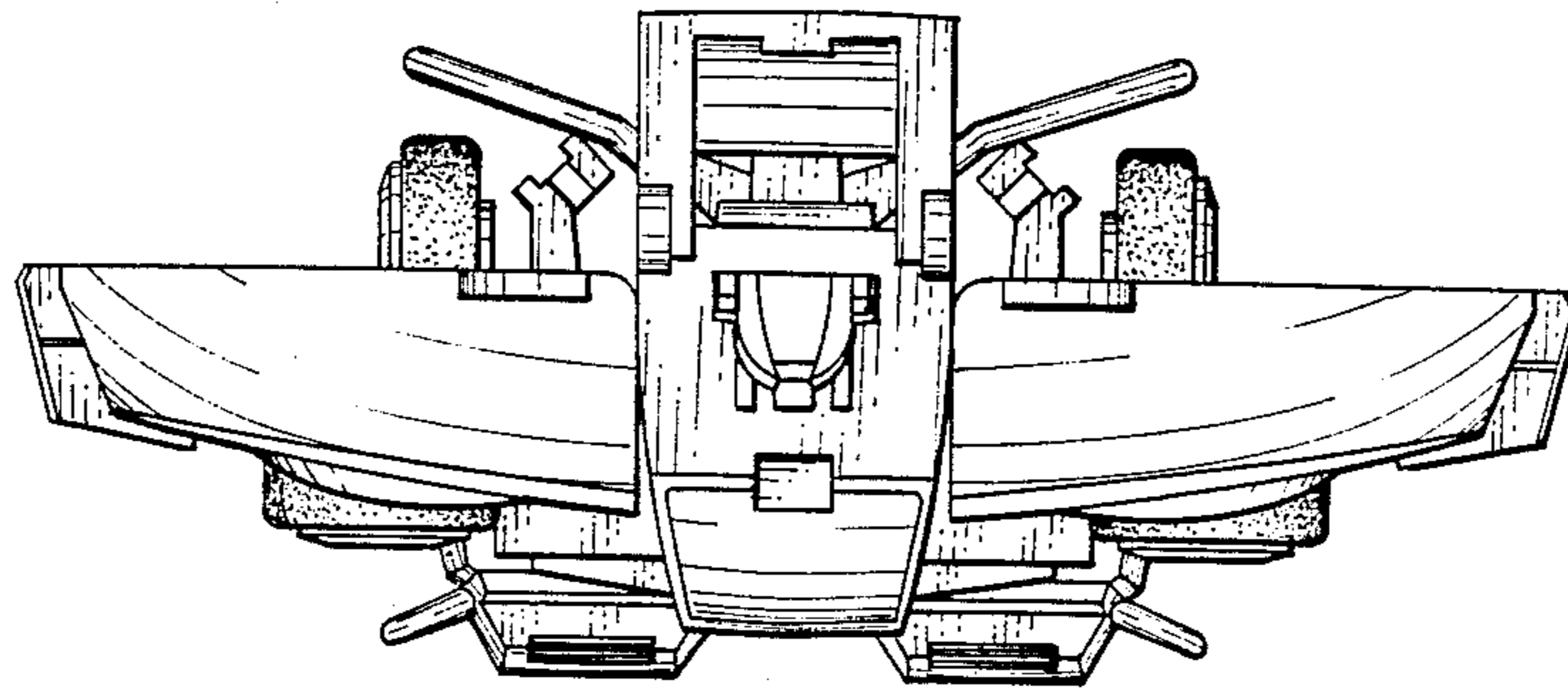


FIG.12

