

[54] RECONFIGURABLE TOY CASSETTE

[75] Inventor: Takashi Matsuda, Ichikawa, Japan

[73] Assignee: Takara Co., Ltd., Tokyo, Japan

[\*\*] Term: 14 Years

[21] Appl. No.: 947,535

[22] Filed: Dec. 29, 1986

[30] Foreign Application Priority Data

Sep. 12, 1986 [JP] Japan ..... 61-36104  
[52] U.S. Cl. .... D21/150; D21/111  
[58] Field of Search ..... D21/59, 150, 111, 110;  
D14/11; 446/71, 72, 73, 74, 75, 76, 77, 80, 97,  
487, 321, 376, 487

[56] References Cited

U.S. PATENT DOCUMENTS

D. 283,335	4/1986	Matsuda	.....	D21/150
D. 283,336	4/1986	Matsuda	.....	D21/150
D. 286,420	10/1986	Ohno	.....	D21/150
D. 286,901	11/1986	Ohno	.....	D21/150
D. 287,151	12/1986	Ohno	.....	D21/150
D. 295,542	5/1988	Matsuda	.....	D21/150

D. 296,916 7/1988 Matsuda ..... D21/150

Primary Examiner—Charles A. Rademaker  
Attorney, Agent, or Firm—Price, Gess & Ubell

[57] CLAIM

The ornamental design for a reconfigurable toy cassette, as shown and described.

DESCRIPTION

FIG. 1 is a front perspective view of a reconfigurable toy cassette showing my new design;  
FIG. 2 is a front elevational view thereof;  
FIG. 3 is a right side elevational view thereof;  
FIG. 4 is a left side elevational view thereof;  
FIG. 5 is a rear elevational view thereof;  
FIG. 6 is a top plan view thereof;  
FIG. 7 is a bottom plan view thereof;  
FIG. 8 is another front perspective view of the design shown in FIGS. 1 through 7 in a dinosaur configuration;  
FIG. 9 is a front elevational view thereof;  
FIG. 10 is a right side elevational view thereof;  
FIG. 11 is a left side elevational view thereof;  
FIG. 12 is a rear elevational view thereof;  
FIG. 13 is a top plan view thereof; and  
FIG. 14 is a bottom plan view thereof.

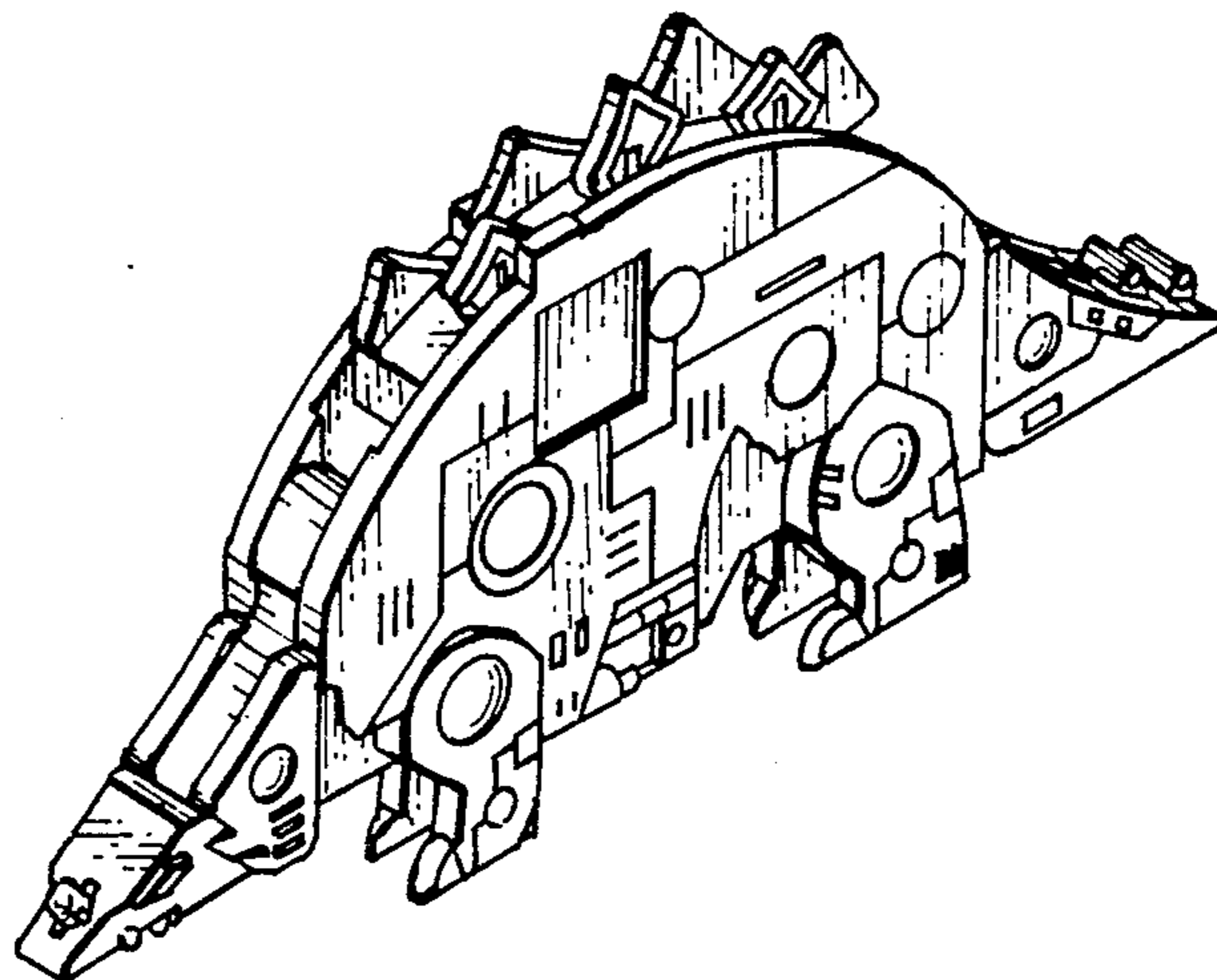
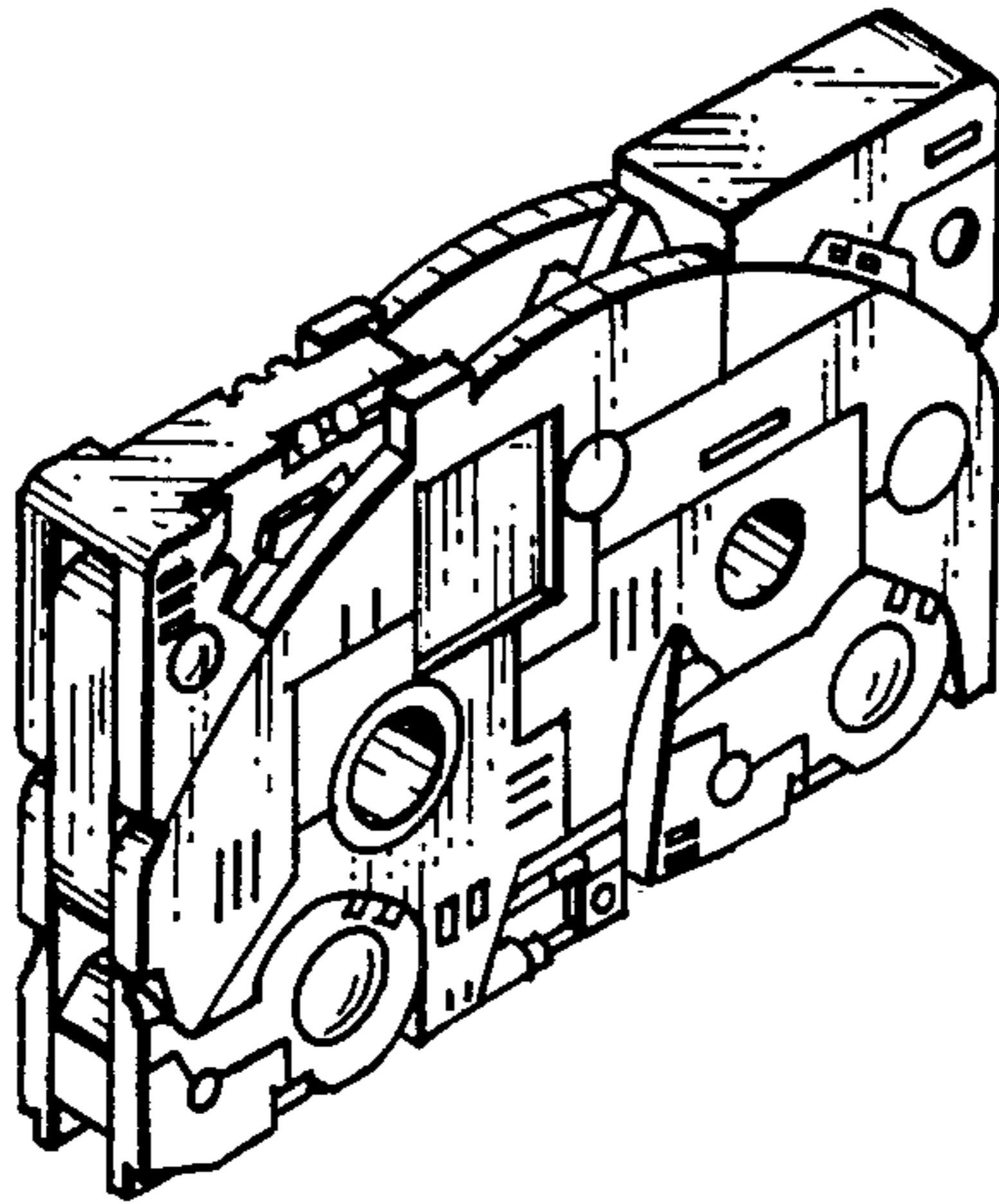


FIG. 1

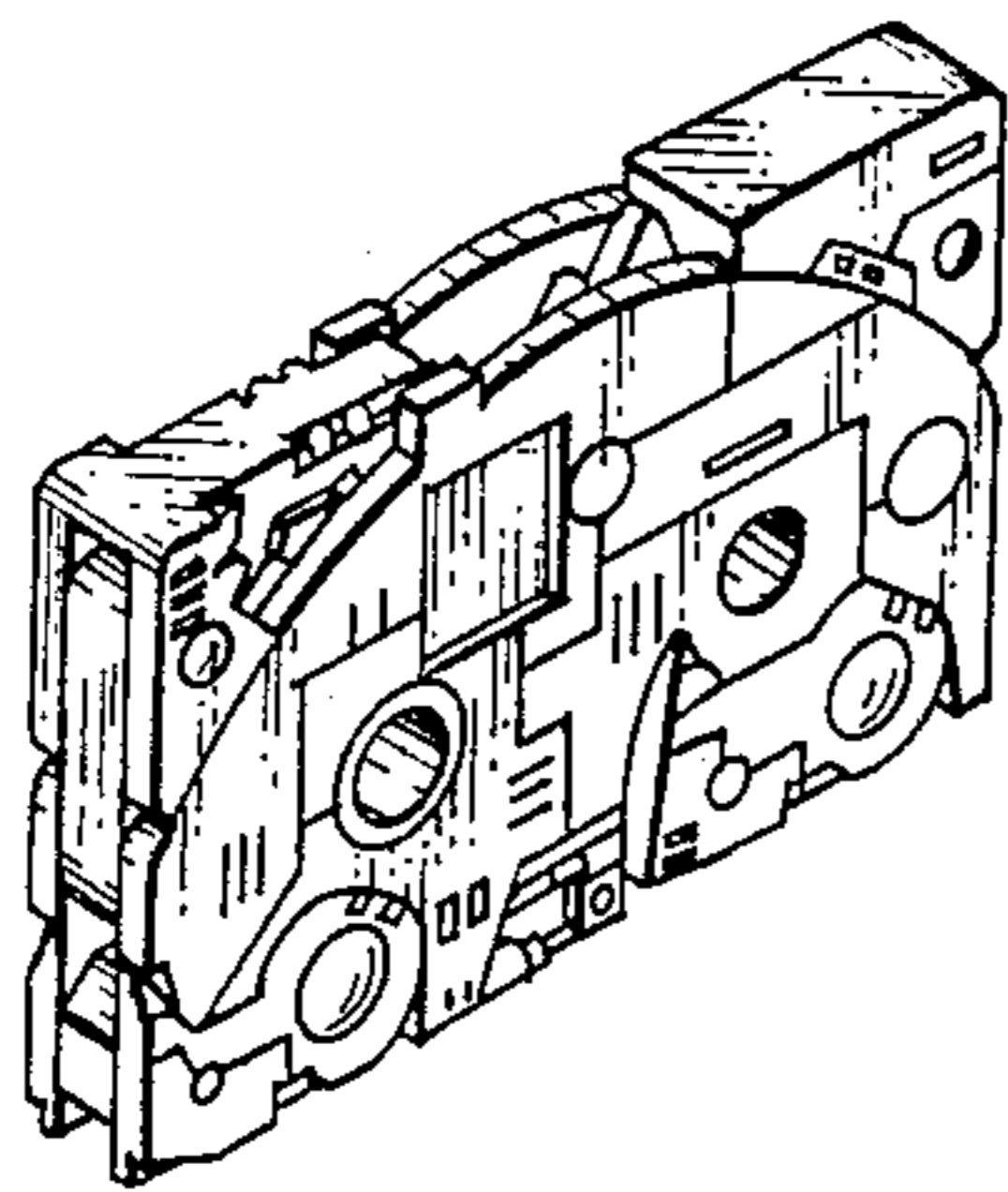


FIG. 2

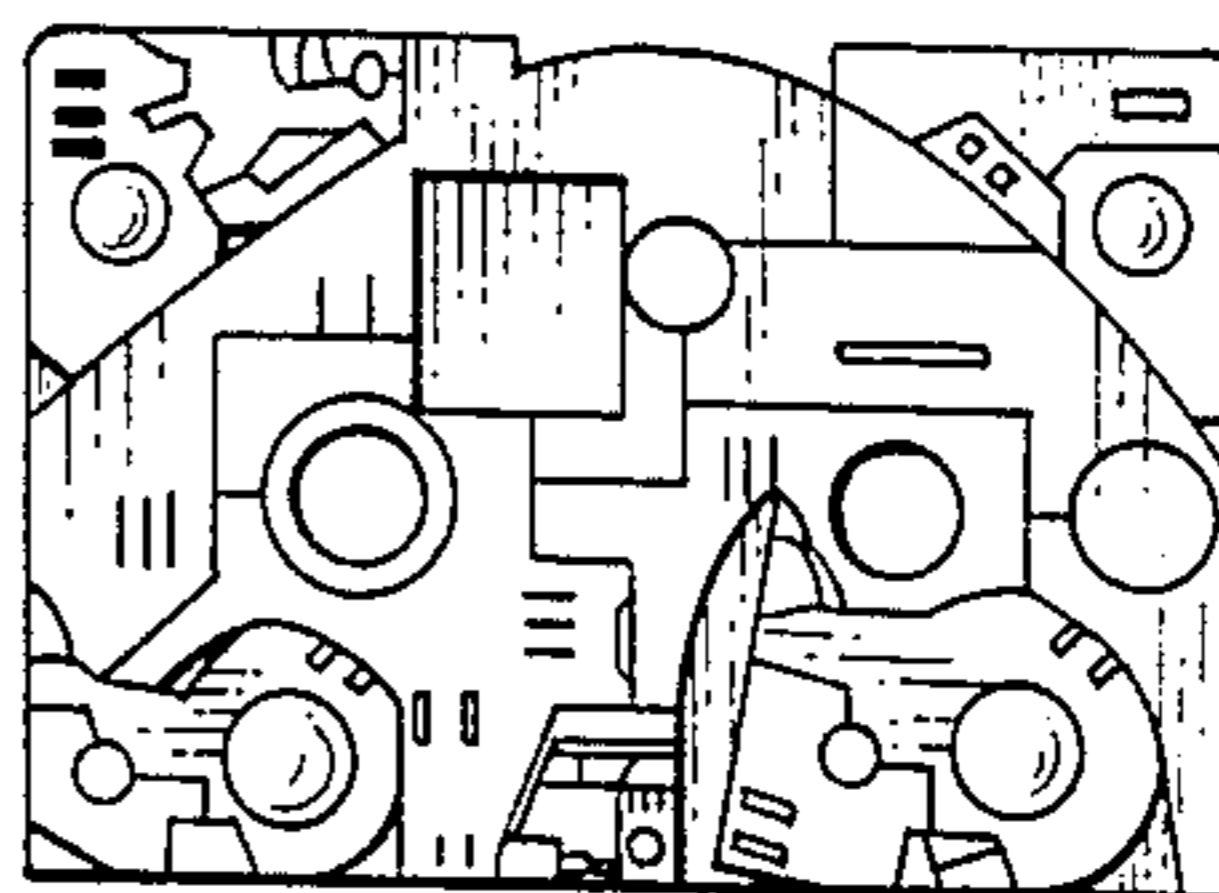


FIG. 3



FIG. 4

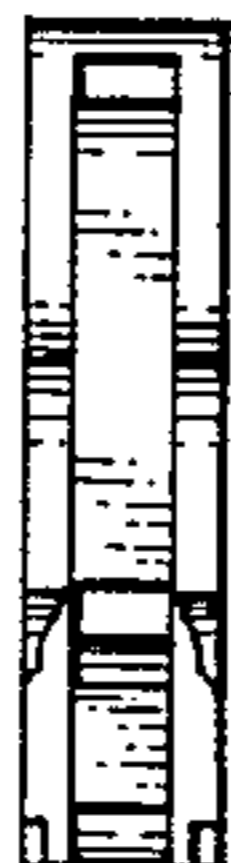


FIG. 5

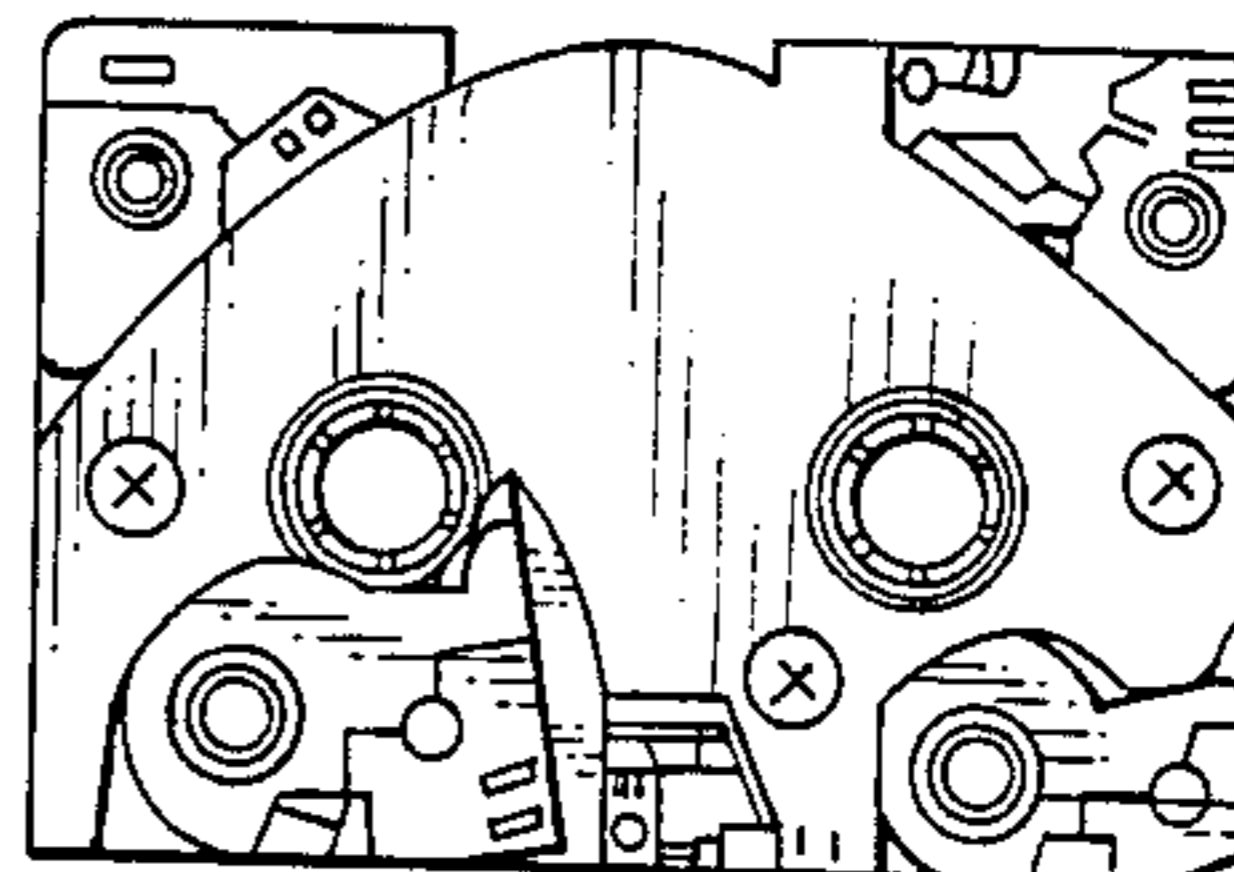


FIG. 6



FIG. 7



FIG. 8

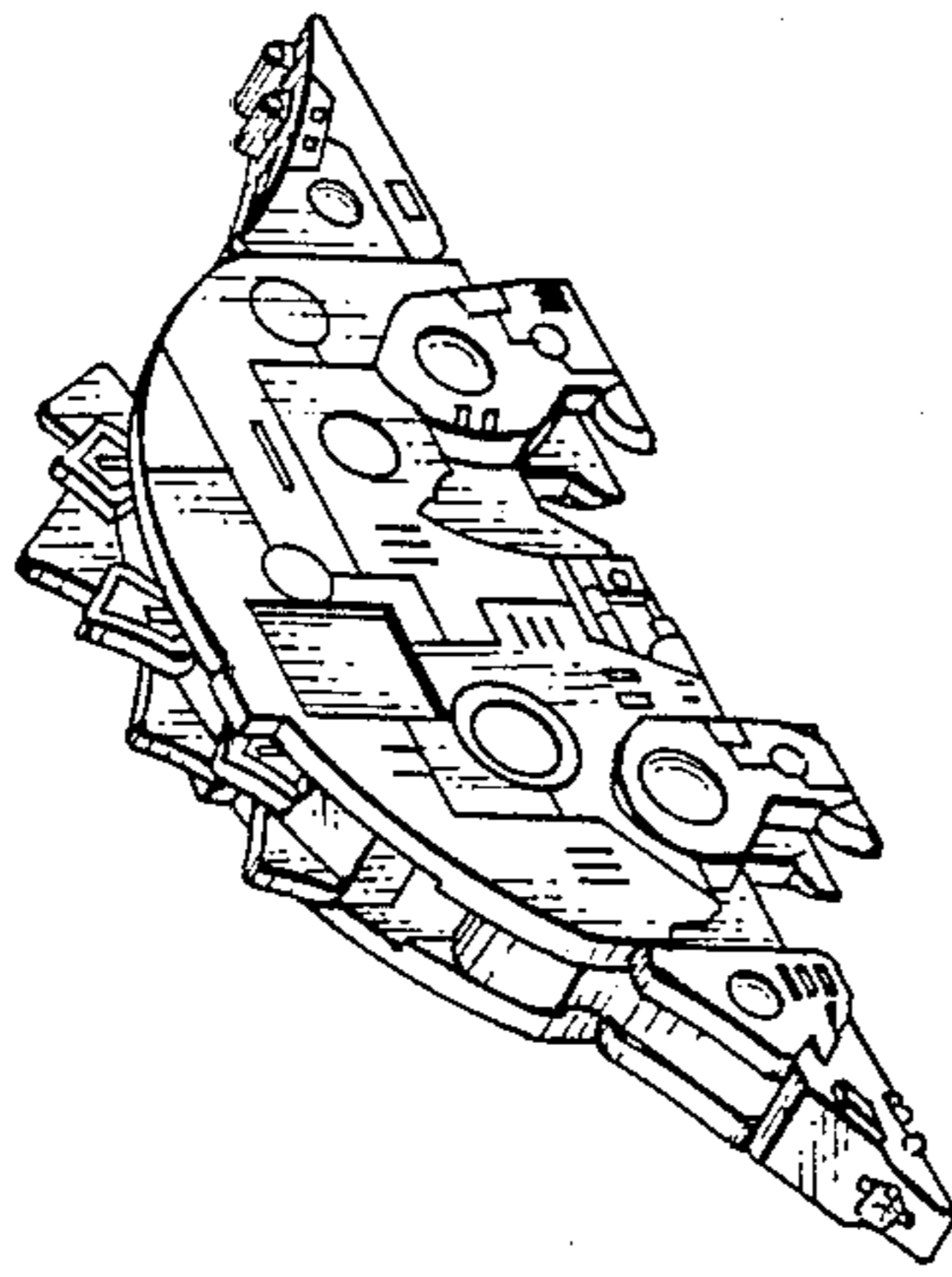


FIG. 9



FIG. 10

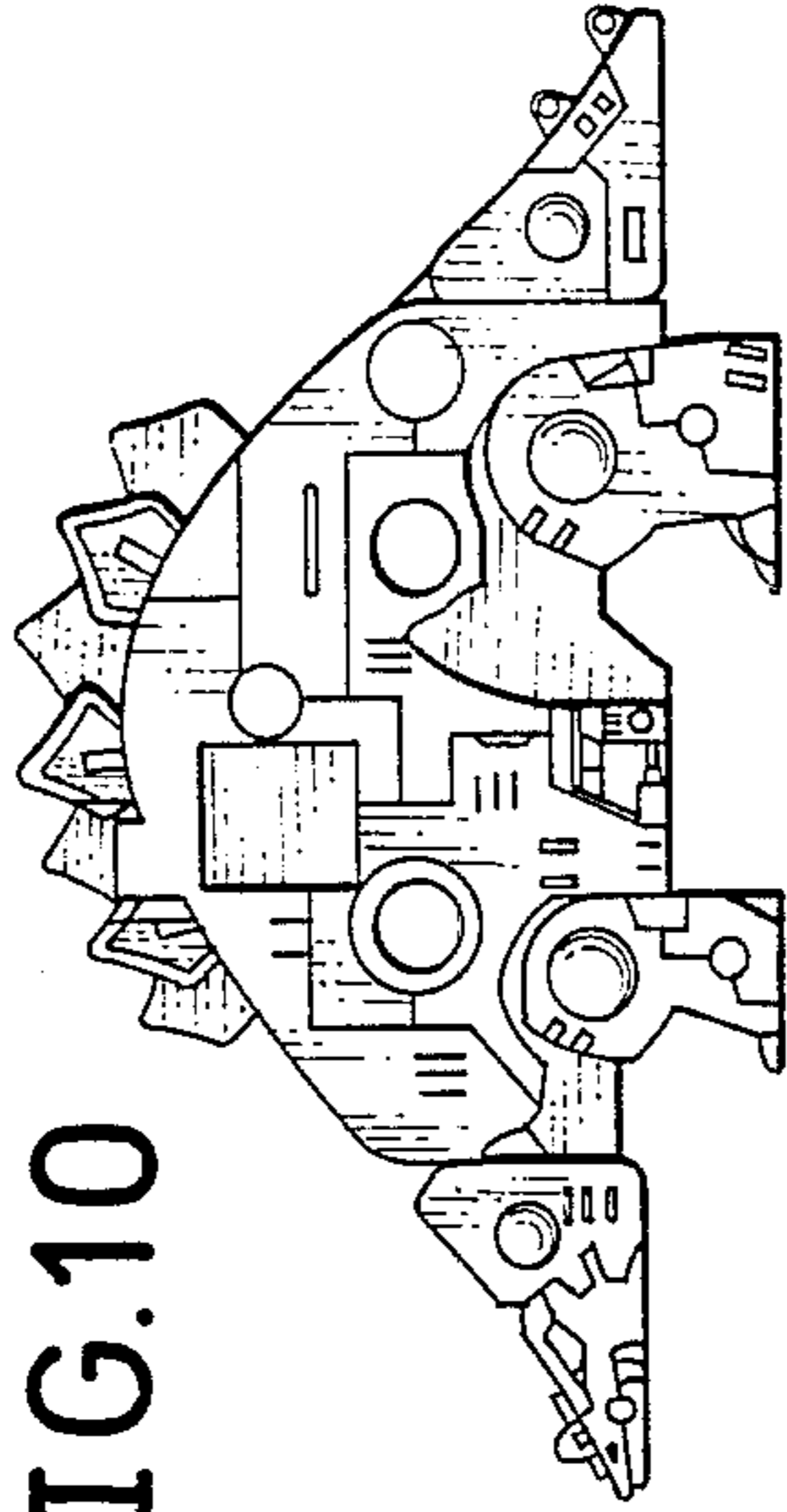


FIG. 13



FIG. 14

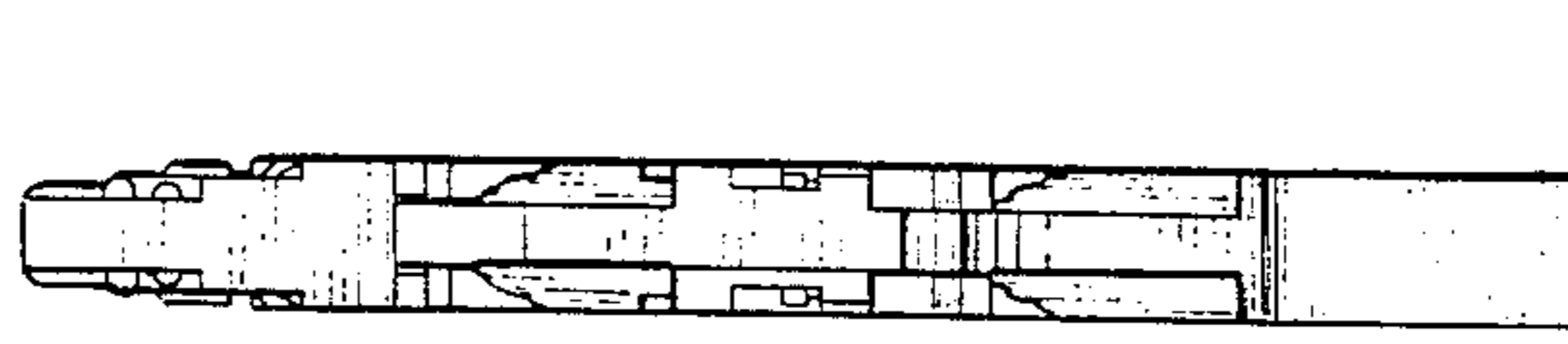


FIG. 11

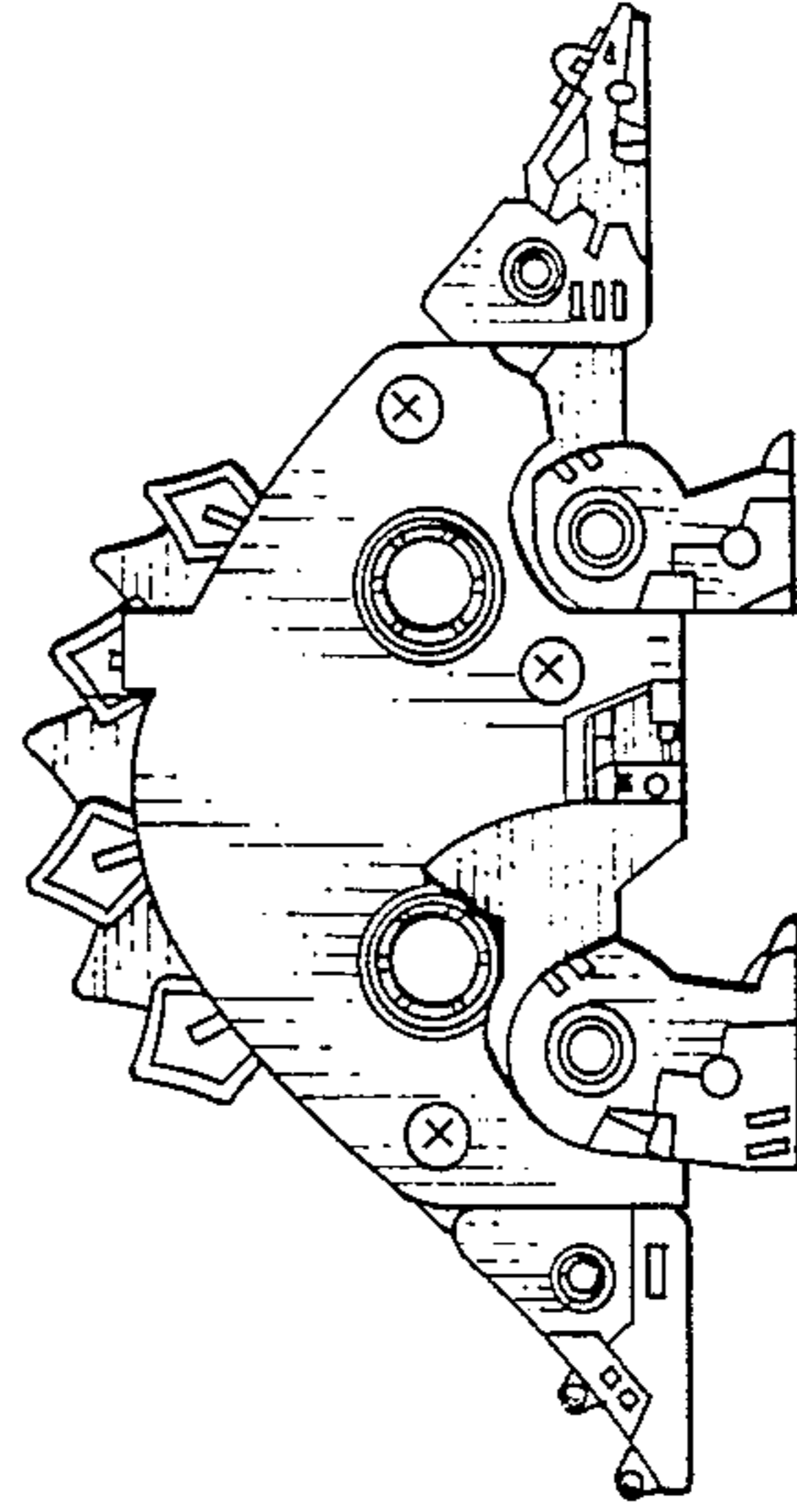


FIG. 12

