

[54] RECONFIGURABLE TOY CASSETTE

[75] Inventor: Takashi Matsuda, Ichikawa, Japan

[73] Assignee: Takara Co., Ltd., Tokyo, Japan

[**] Term: 14 Years

[21] Appl. No.: 947,534

[22] Filed: Dec. 29, 1986

[30] Foreign Application Priority Data

Sep. 12, 1986 [JP] Japan 61-36105

[52] U.S. Cl. D21/150; D21/111

[58] Field of Search D21/59, 150, 111, 110; D14/11; 446/71, 72, 73, 74, 75, 76, 77, 80, 97, 487, 321, 376

[56] References Cited

U.S. PATENT DOCUMENTS

- D. 283,335 4/1986 Matsuda D21/150
- D. 283,336 4/1986 Matsuda D21/150
- D. 285,464 9/1986 Koizumi D21/150
- D. 286,901 11/1986 Ohno D21/150
- D. 288,221 2/1987 Matsuda D21/150
- D. 296,916 7/1988 Matsuda D21/111

Primary Examiner—Charles A. Rademaker
Attorney, Agent, or Firm—Price, Gess & Ubell

[57] CLAIM

The ornamental design for a reconfigurable toy cassette, substantially as shown and described.

DESCRIPTION

FIG. 1 is a front perspective view of a reconfigurable toy cassette showing my new design;
 FIG. 2 is a front elevational view thereof;
 FIG. 3 is a right side elevational view thereof;
 FIG. 4 is a left side elevational view thereof;
 FIG. 5 is a rear elevational view thereof;
 FIG. 6 is a top plan view thereof;
 FIG. 7 is a bottom plan view thereof;
 FIG. 8 is another front perspective view of the design shown in FIGS. 1 through 7 in a dinosaur configuration;
 FIG. 9 is a front elevational view thereof;
 FIG. 10 is a right side elevational view thereof;
 FIG. 11 is a left side elevational view thereof;
 FIG. 12 is a rear elevational view thereof;
 FIG. 13 is a top plan view thereof; and
 FIG. 14 is a bottom plan view thereof.

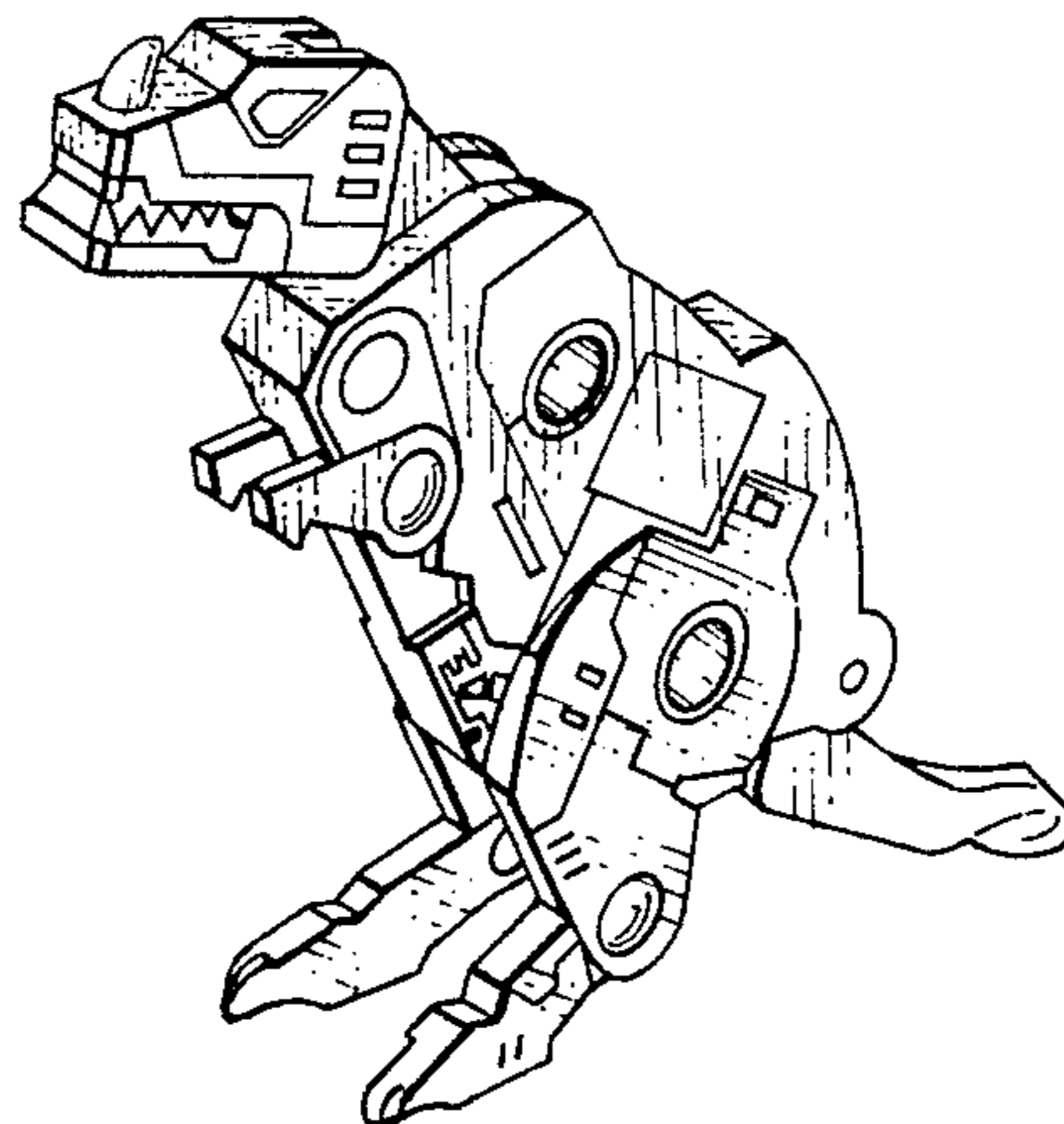
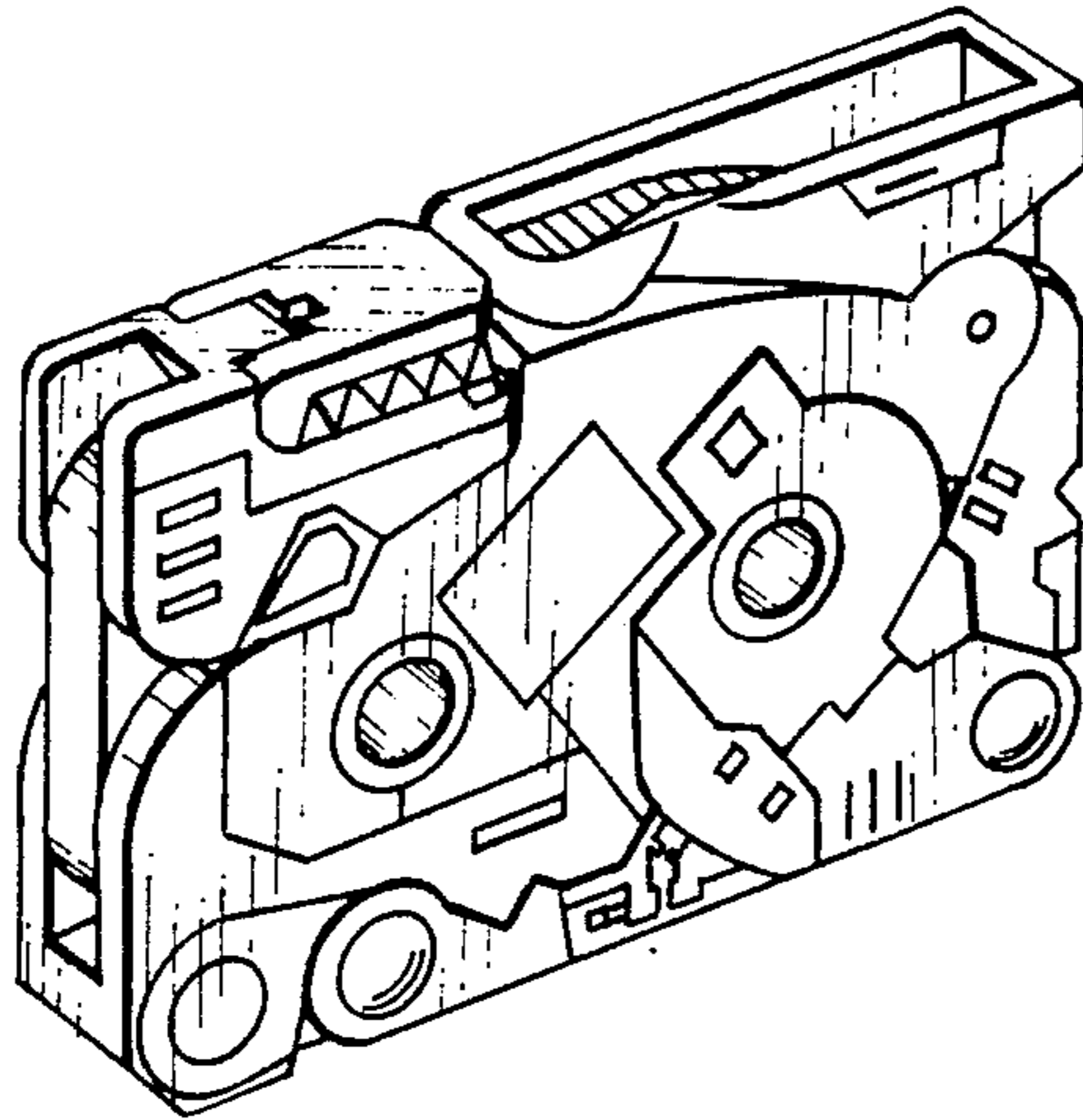


FIG. 1

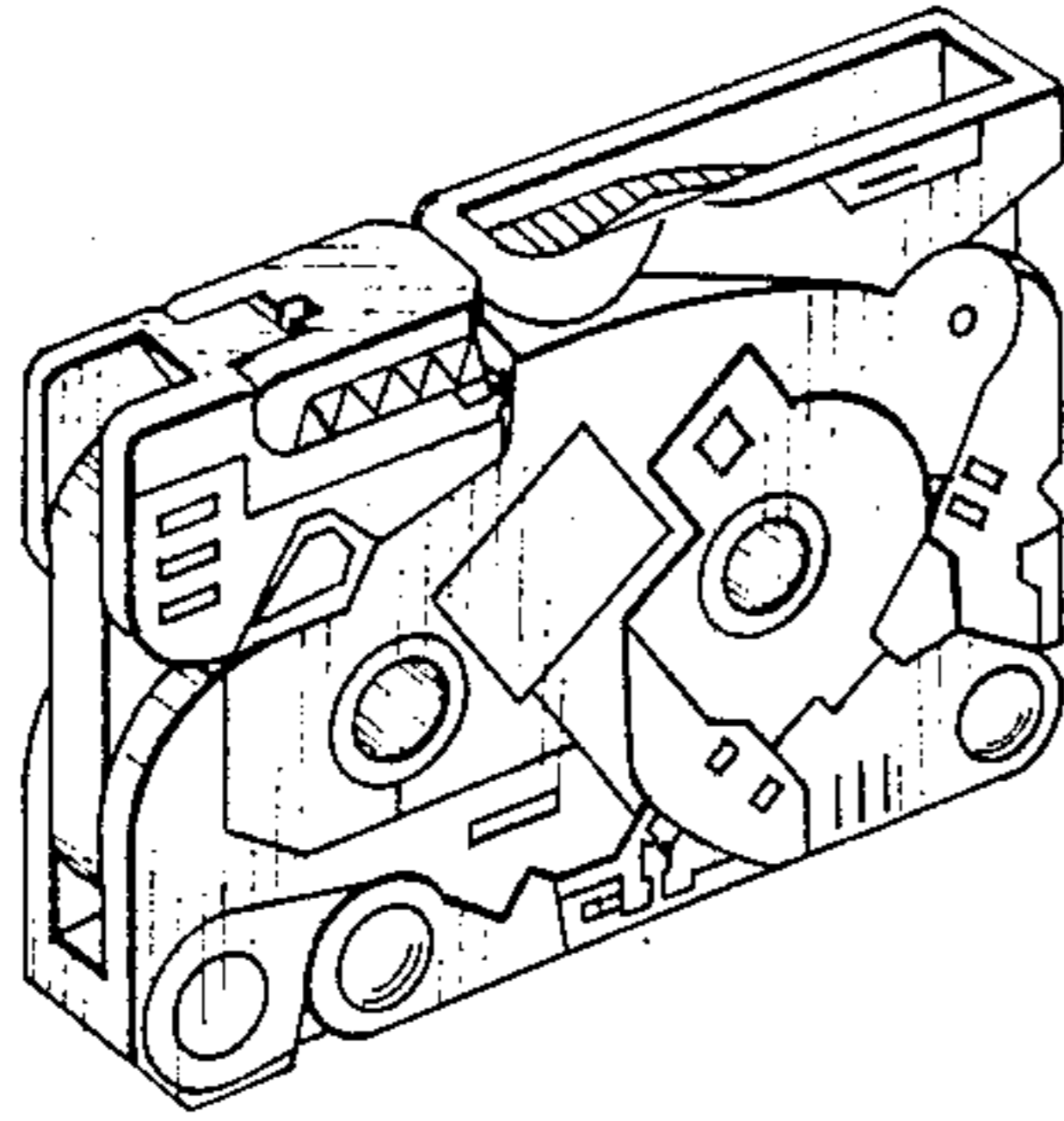


FIG. 2

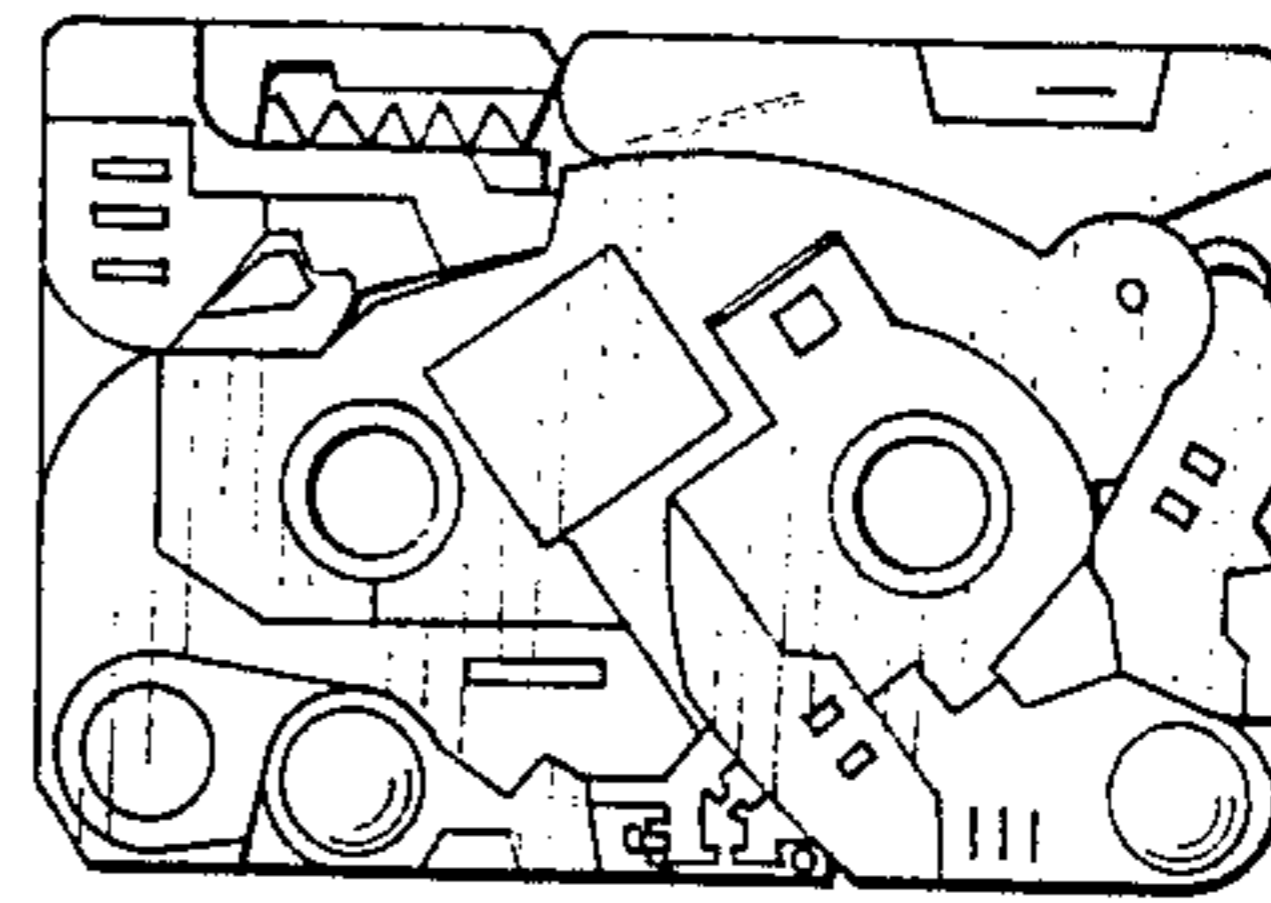


FIG. 3

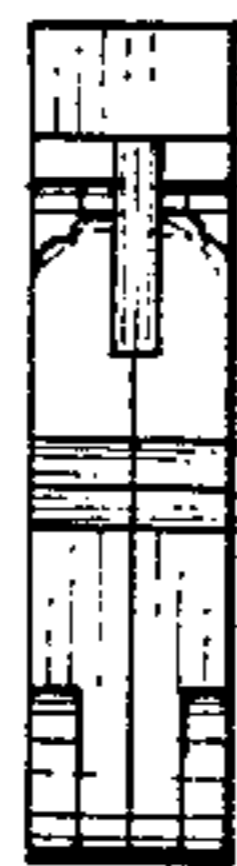


FIG. 4



FIG. 5

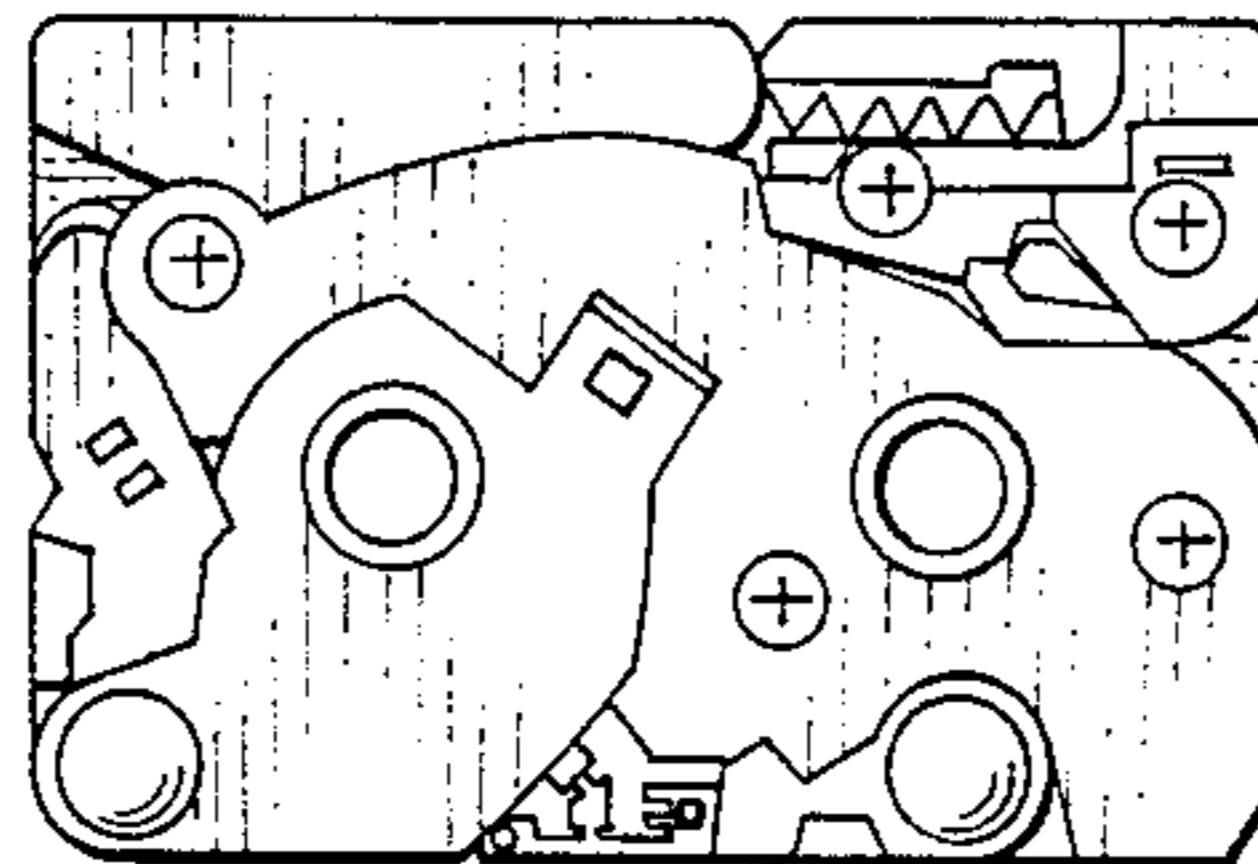


FIG. 6



FIG. 7



FIG. 8

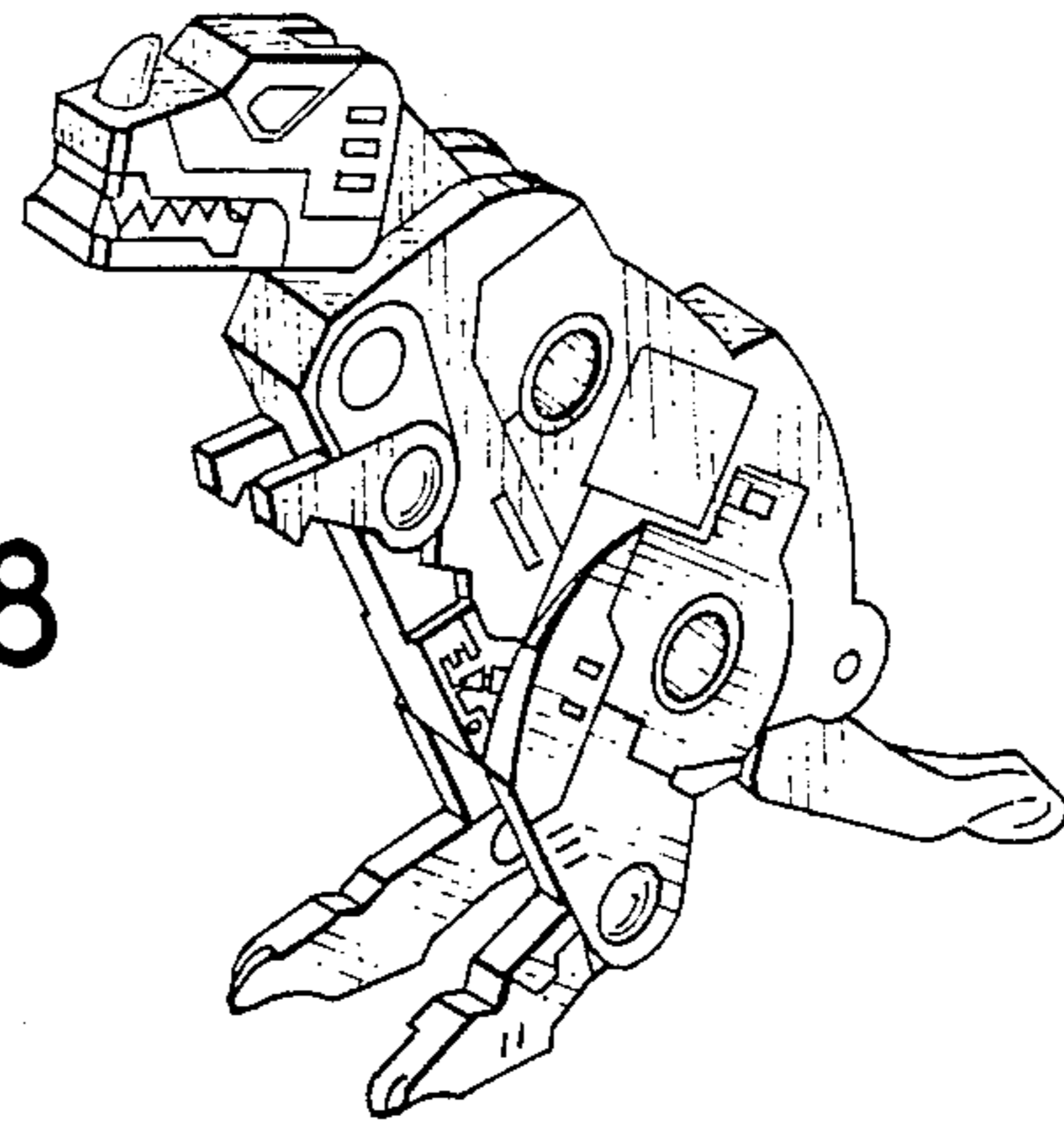


FIG. 9

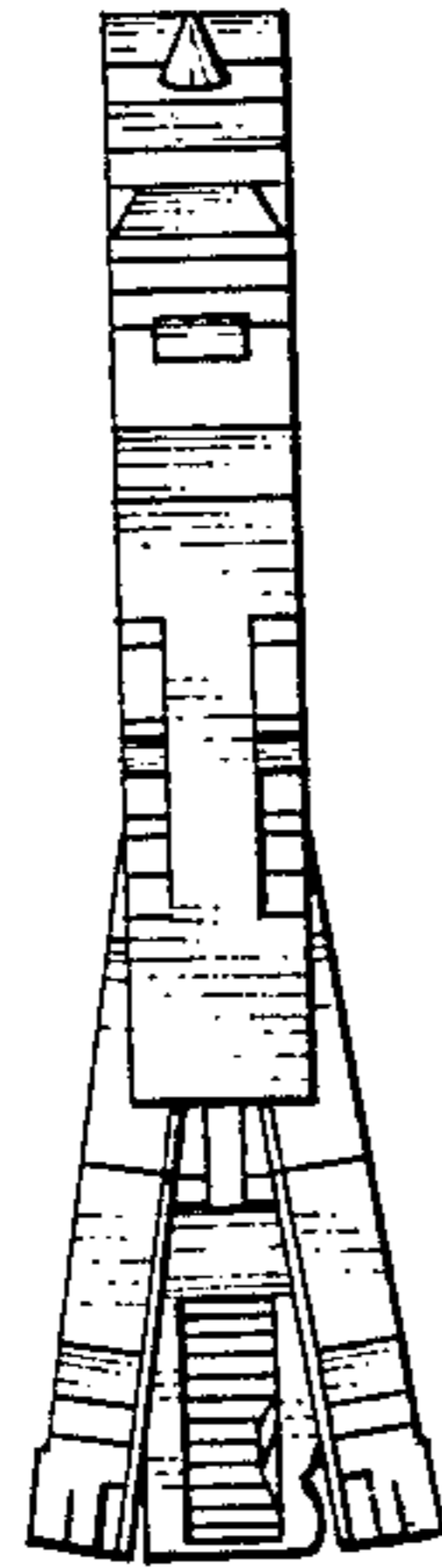


FIG. 10

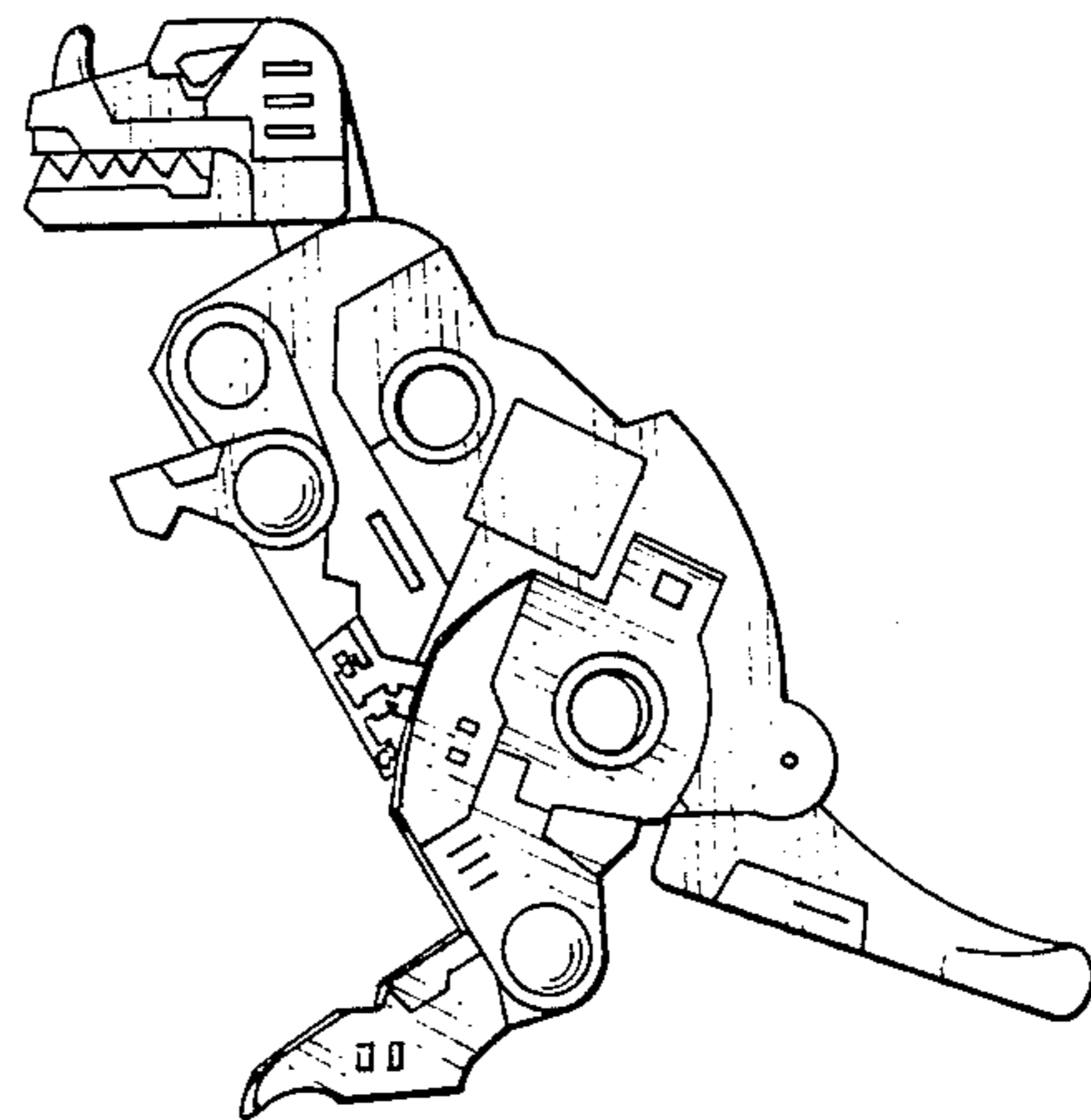


FIG.11

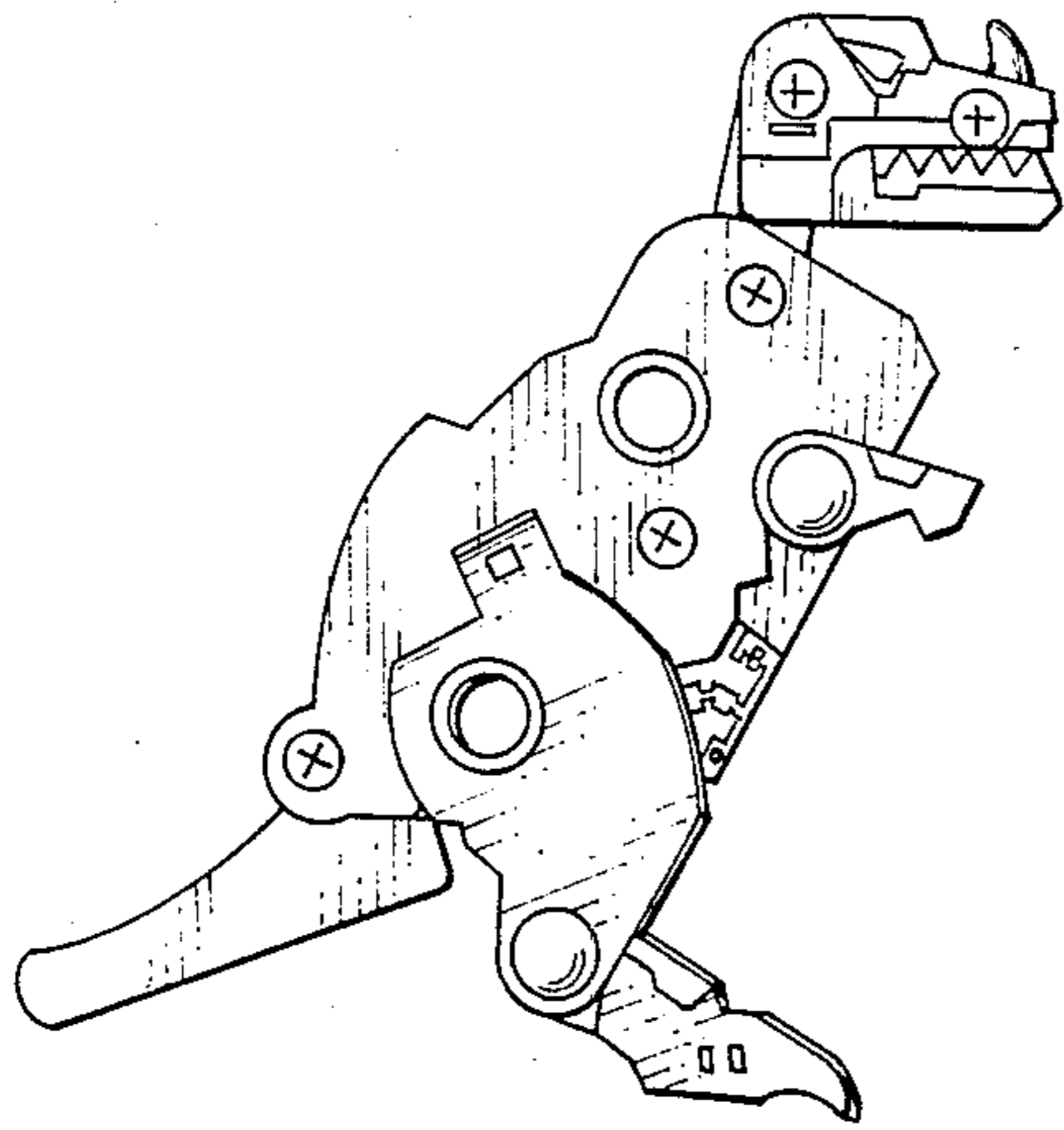


FIG.12

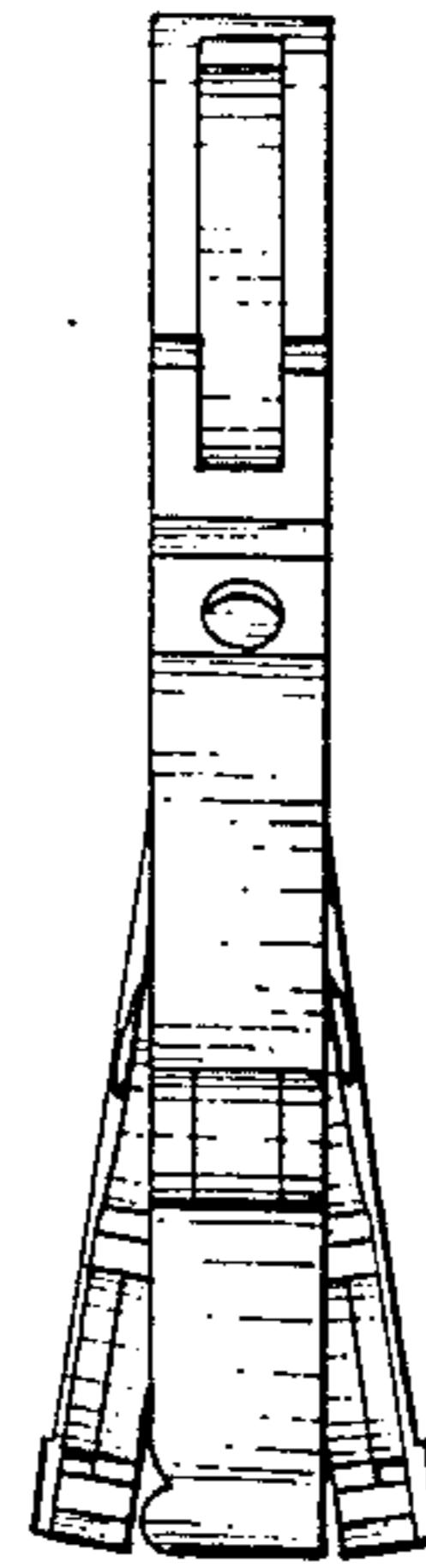


FIG.13

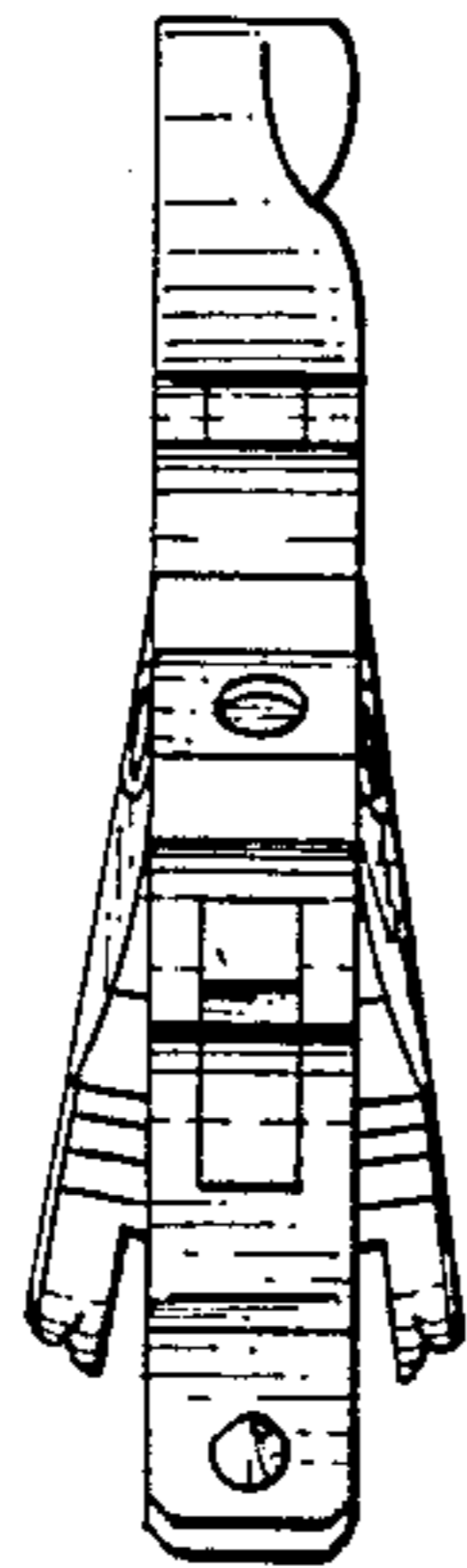


FIG.14

