

[54] COMBINED CONTROL UNIT AND HOLDER WITH UPRIGHT SUPPORT AND BASE FOR A MOBILE RADIOTELEPHONE SET

[75] Inventor: Jorma Pitkonen, Turku, Finland

[73] Assignee: Mobira Oy, Salo, Finland

[**] Term: 14 Years

[21] Appl. No.: 200,317

[22] Filed: May 31, 1988

1,371,747	3/1921	Fischer	379/455
2,048,865	7/1936	Hulschmid	379/455
2,481,271	9/1949	Willey	379/455
3,558,831	1/1971	Prescott	379/436

FOREIGN PATENT DOCUMENTS

100075	7/1923	Switzerland	379/455
--------	--------	-------------------	---------

Primary Examiner—Horace B. Fay, Jr.
Attorney, Agent, or Firm—Ladas & Parry

[57] CLAIM

The ornamental design for a combined control unit and holder with upright support and base for a mobile radiotelephone set, as shown and described.

DESCRIPTION

FIG. 1 is a front, top and right side perspective view of a combined control unit and holder with upright support and base for a mobile radiotelephone set showing my new design assembled relationship;

FIG. 2 is an enlarged left side, front and bottom perspective view of the combined control unit and holder therefor with the upright support shown in truncated form for facility of illustration;

FIG. 3 is a left side, top and front perspective view of the assembly shown in FIG. 1;

FIG. 4 is a rear, top and right side perspective view of the assembly shown in FIG. 1; and,

FIG. 5 is an enlarged bottom, rear and right side perspective view of the combined control unit and holder therefor with the upright support shown in truncated form for facility of illustration.

Related U.S. Application Data

[62] Division of Ser. No. 850,346, Apr. 4, 1986.

[30] Foreign Application Priority Data

Oct. 11, 1985 [FI] Finland 771/85

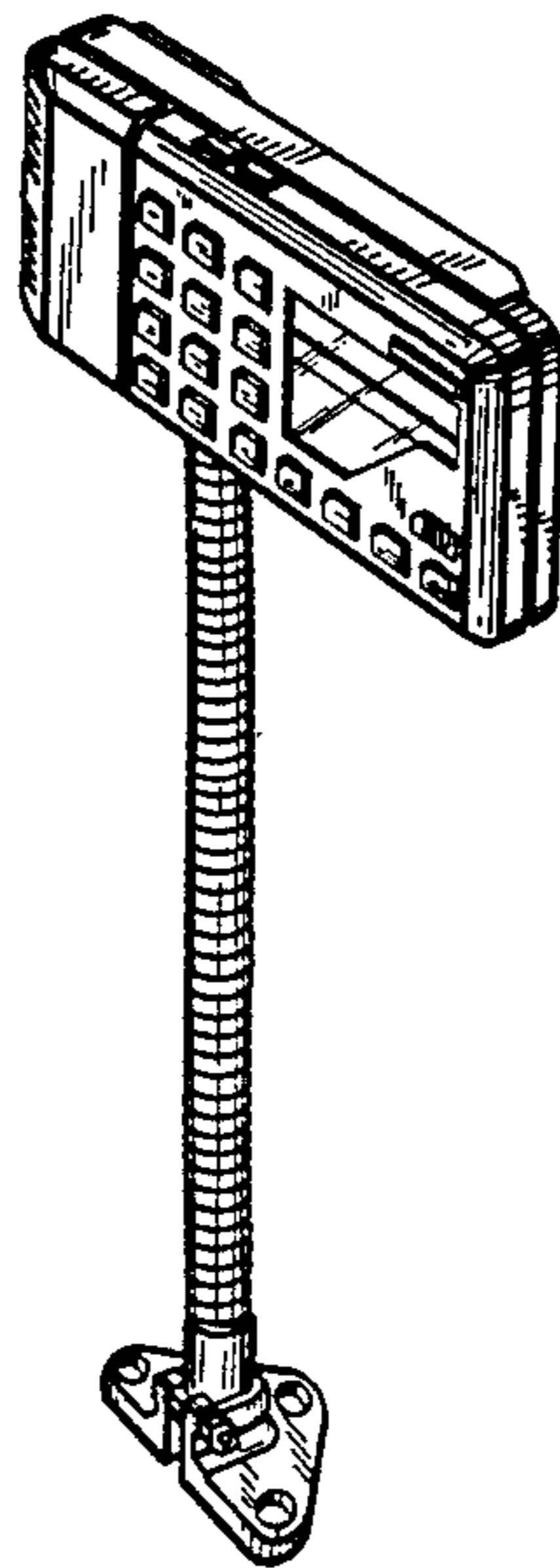
[52] U.S. Cl. D14/217; D14/138; D14/247

[58] Field of Search D14/52, 53, 59, 60, D14/62, 63, 64-66; 379/58, 59, 440, 433, 434, 419, 420; 455/89, 90

[56] References Cited

U.S. PATENT DOCUMENTS

D. 257,841	1/1981	Tada	D14/62
D. 265,730	8/1982	Fukushima et al.	D14/66
D. 268,030	2/1983	Ault	D14/66 UX
D. 270,053	8/1983	Bosch	D14/66
D. 278,626	4/1985	Takagi	D14/64 X
D. 280,099	8/1985	Topp	D14/66
D. 289,045	3/1987	Brown	D14/66



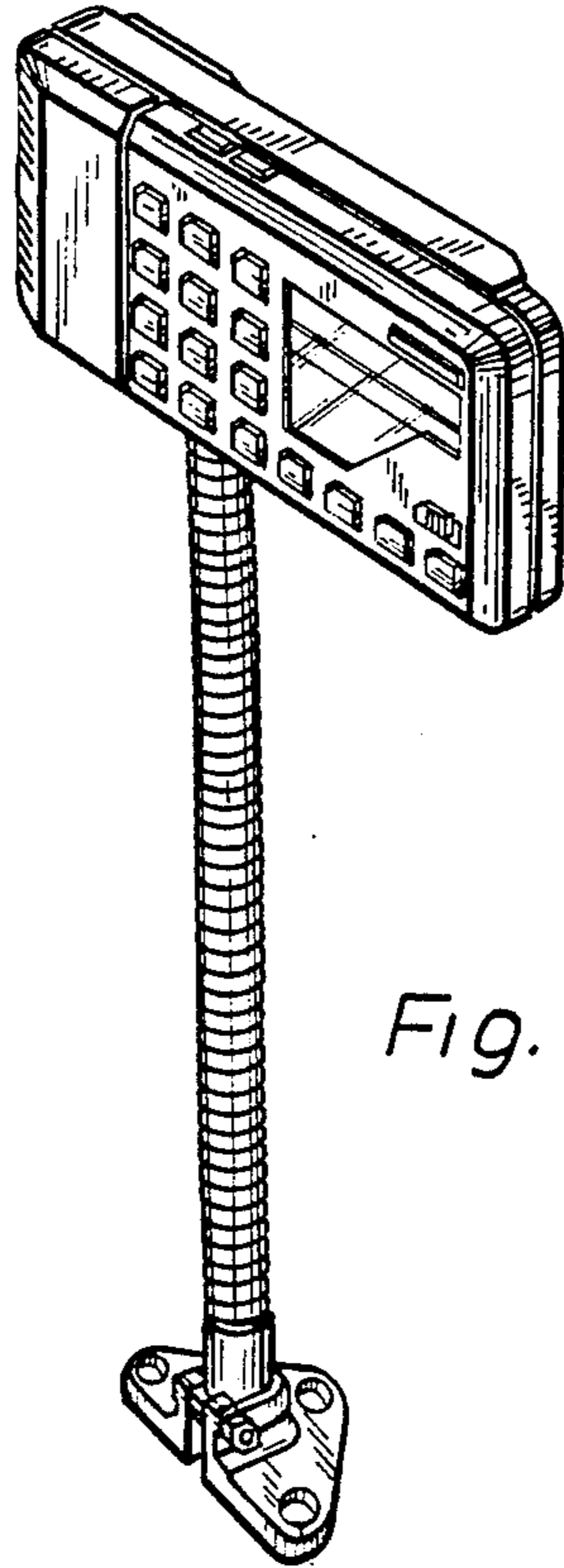


Fig. 1

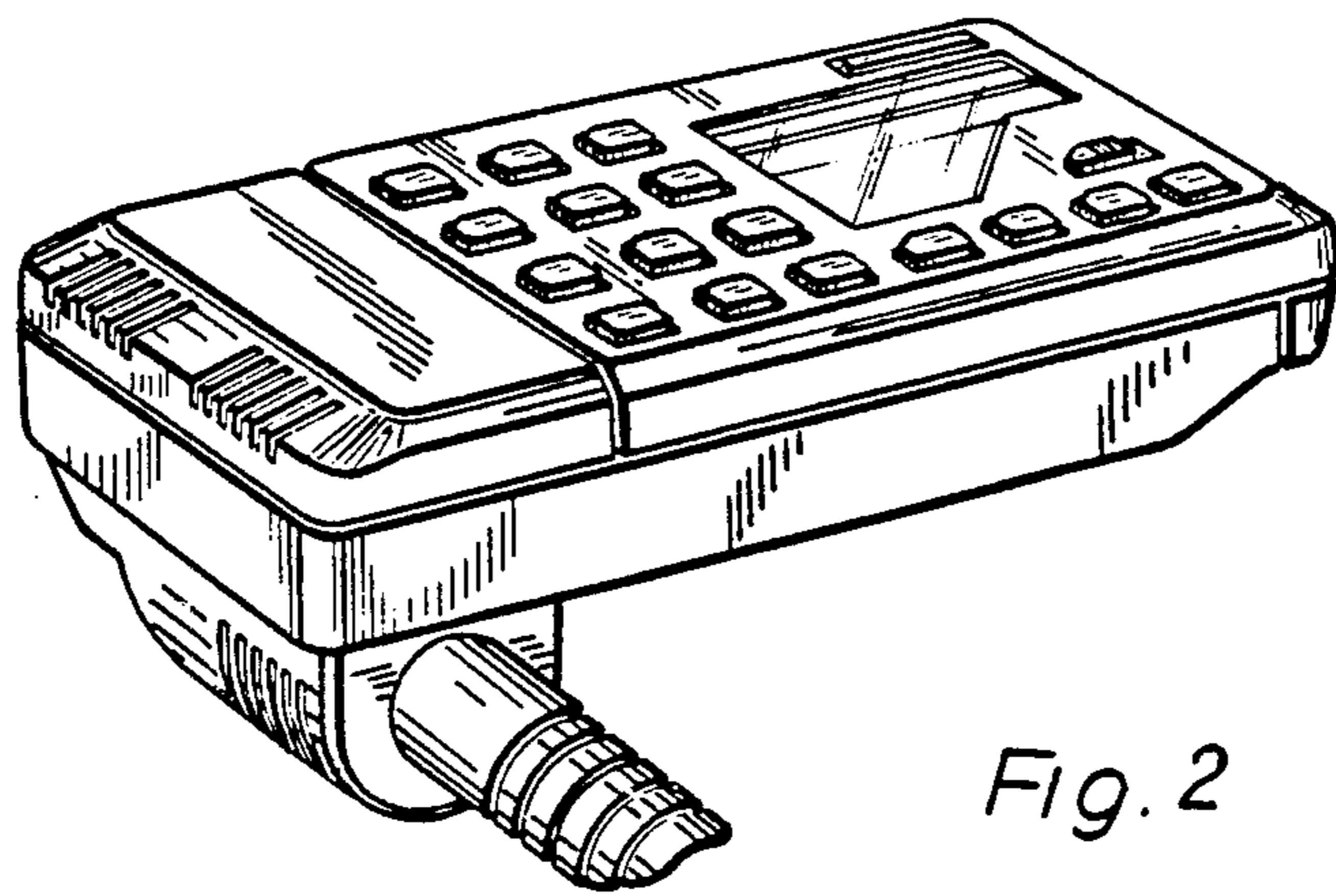


Fig. 2

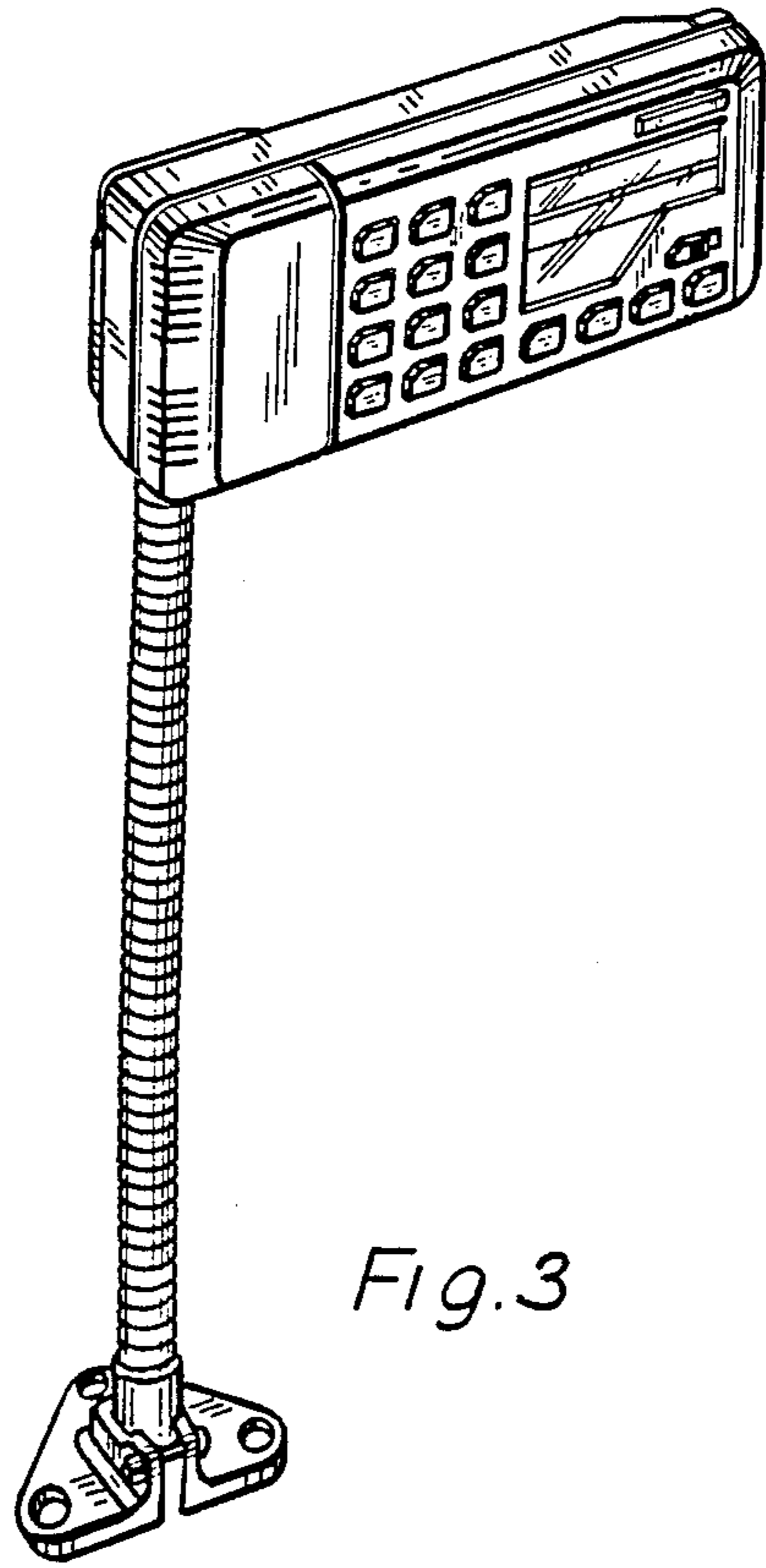


Fig. 3

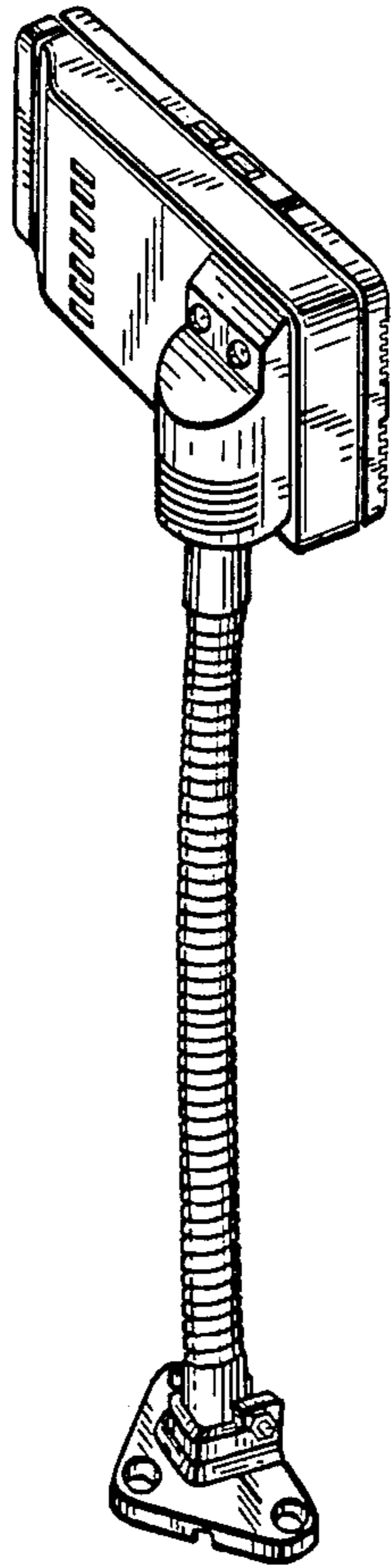


Fig. 4

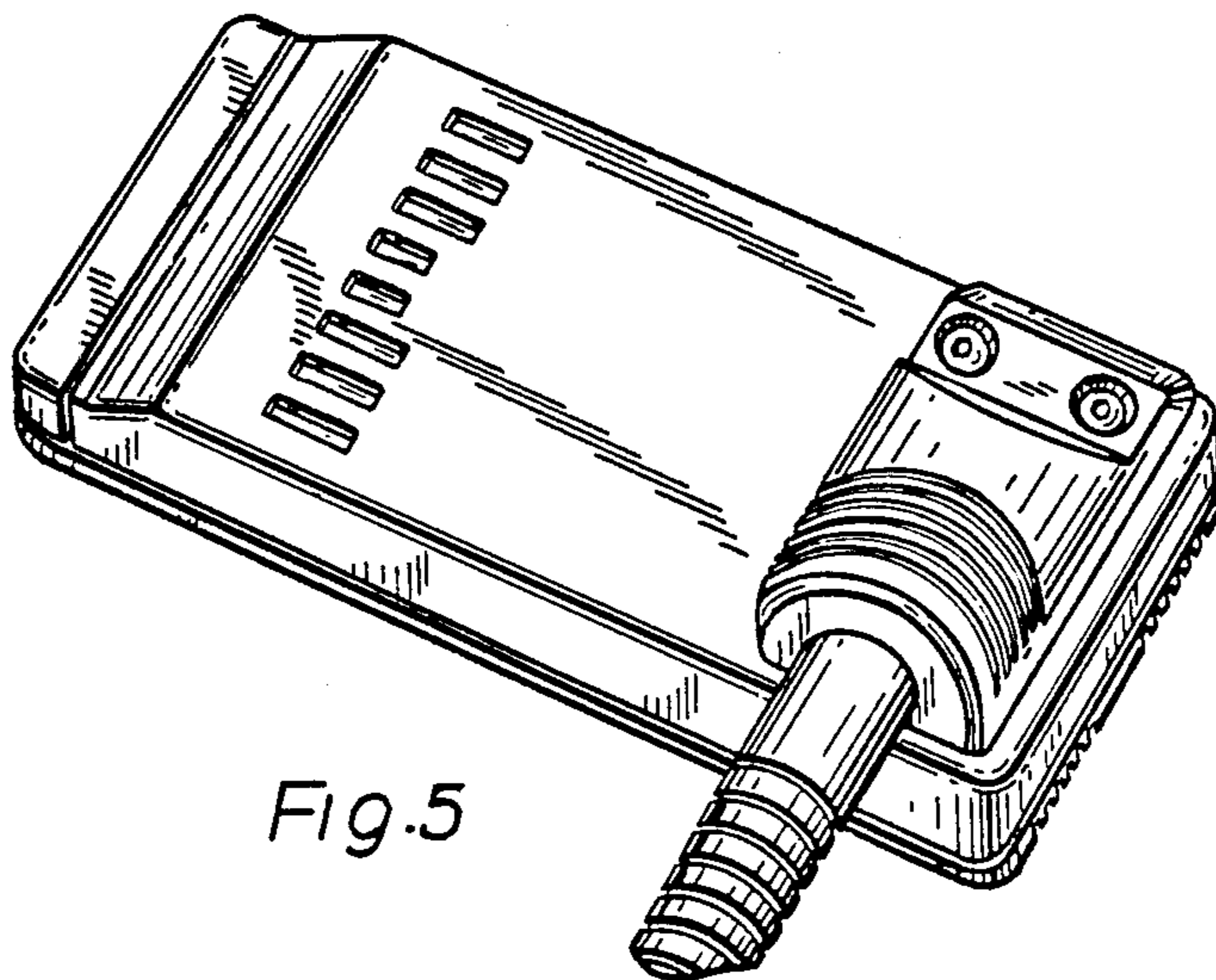


Fig. 5