

[54] DISPLAY ATTACHMENT FOR A MODULAR DICTATION UNIT OR THE LIKE

[75] Inventors: Sandor F. Weisz, Stamford, Conn.; Andrew J. Blance, Mamaroneck, N.Y.

[73] Assignee: Dictaphone Corporation, Stratford, Conn.

[**] Term: 14 Years

[21] Appl. No.: 894,971

[22] Filed: Aug. 8, 1986

[52] U.S. Cl. D14/217; D14/251; D14/154

[58] Field of Search D14/10, 3, 4, 59; D6/449, 509-511; 360/72

[56] References Cited

U.S. PATENT DOCUMENTS

- D. 217,254 4/1970 Bolick, Jr. D14/10
- D. 217,467 5/1970 Tsuji D14/10

- D. 224,713 9/1972 Schmitz et al. D14/10
- D. 248,757 8/1978 Bokmiller D14/10
- D. 276,911 12/1984 Schmidt D14/10

Primary Examiner—Carmen H. Vales
Attorney, Agent, or Firm—Robert H. Whisker; Melvin J. Scolnick; David E. Pitchenik

[57] CLAIM

The ornamental design for a display attachment for a modular dictation unit or the like, as shown and described.

DESCRIPTION

FIG. 1 is a perspective view of a display attachment for a modular dictation unit or the like showing our new design;
 FIG. 2 is a front elevational view thereof;
 FIG. 3 is a rear elevational view thereof;
 FIG. 4 is a top plan view thereof;
 FIG. 5 is a bottom plan view thereof; and
 FIG. 6 is a left side elevational view, the right side being a mirror image thereof.

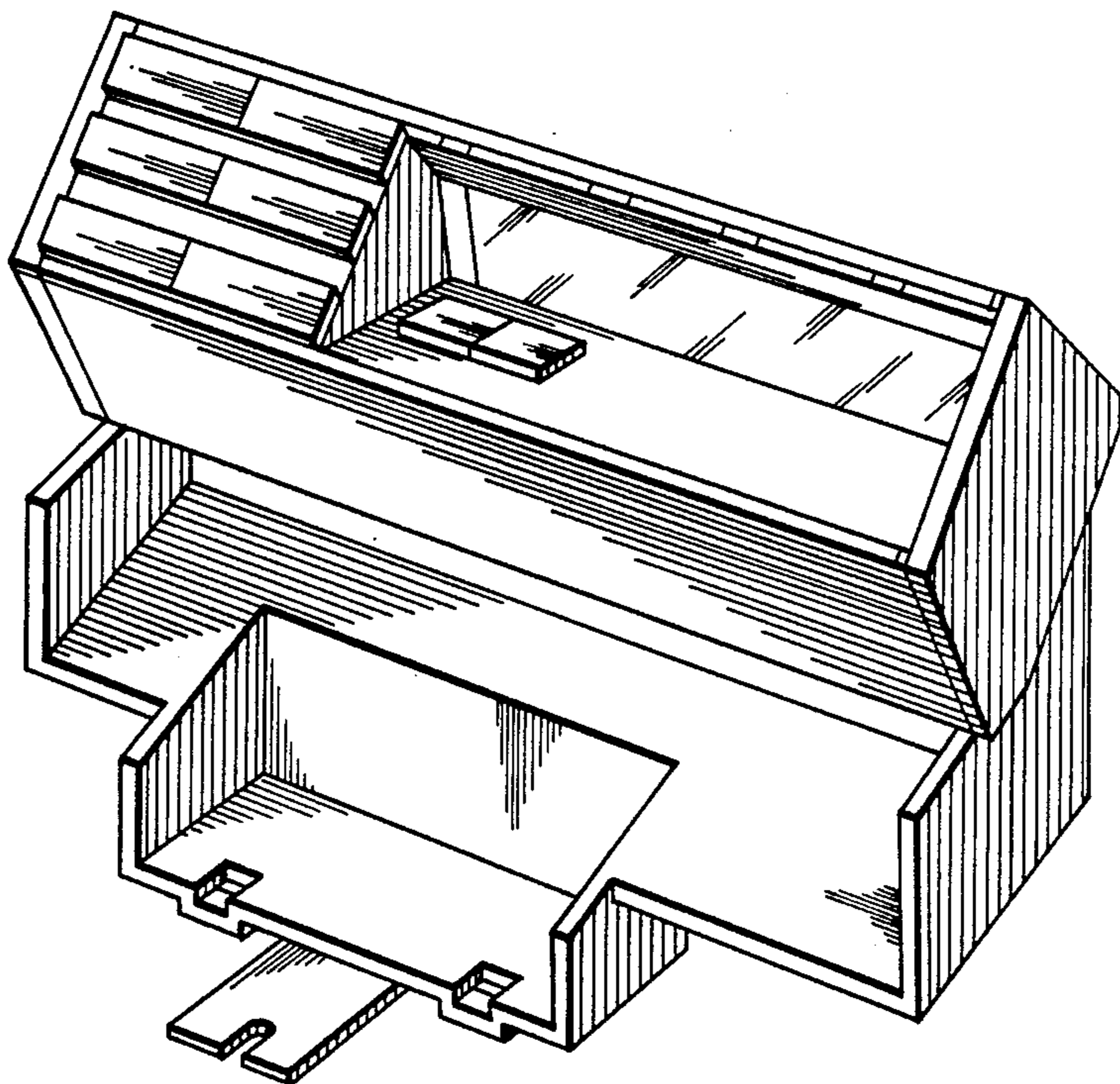


FIG. 1.

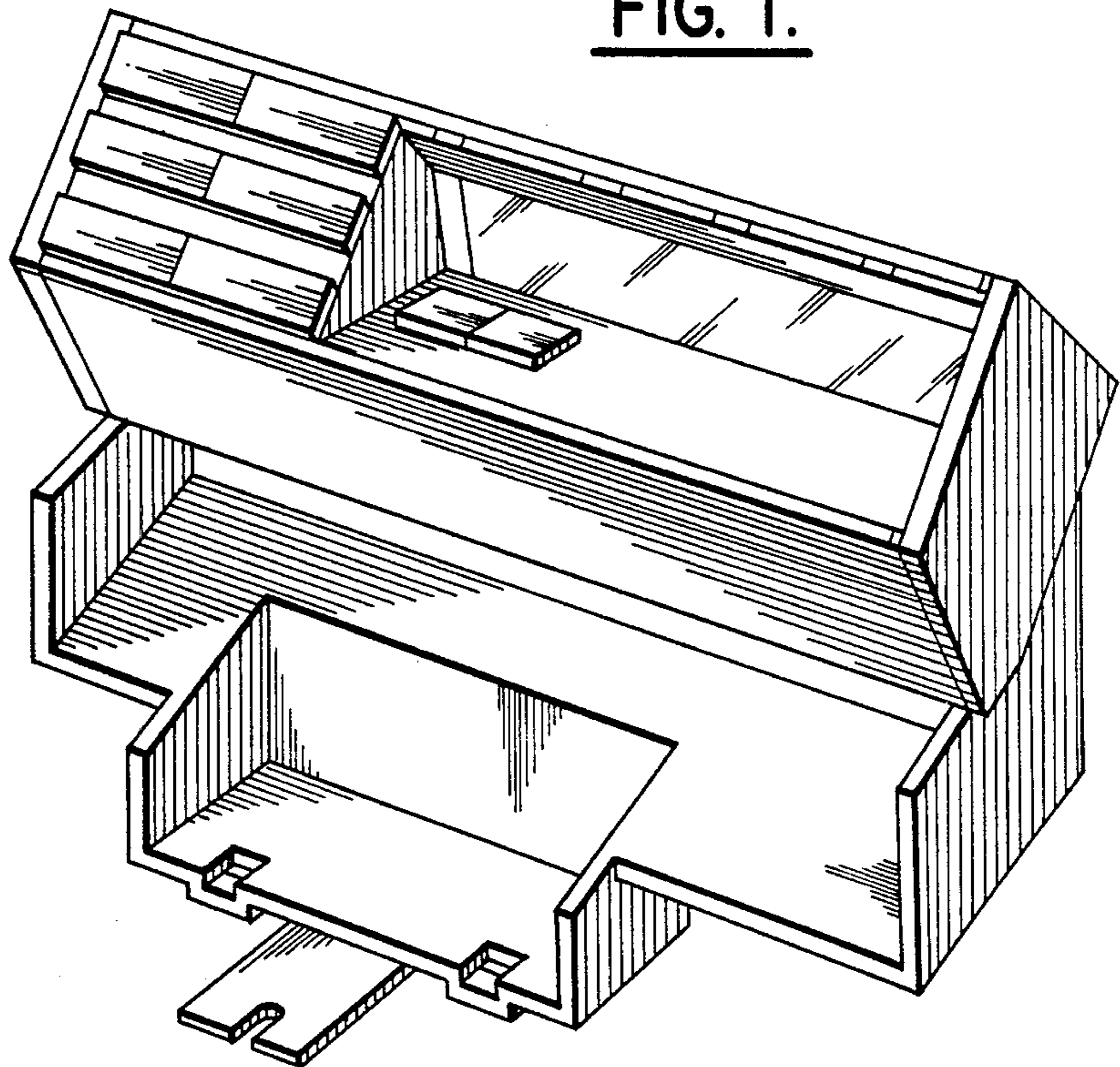


FIG. 2.



FIG. 3.

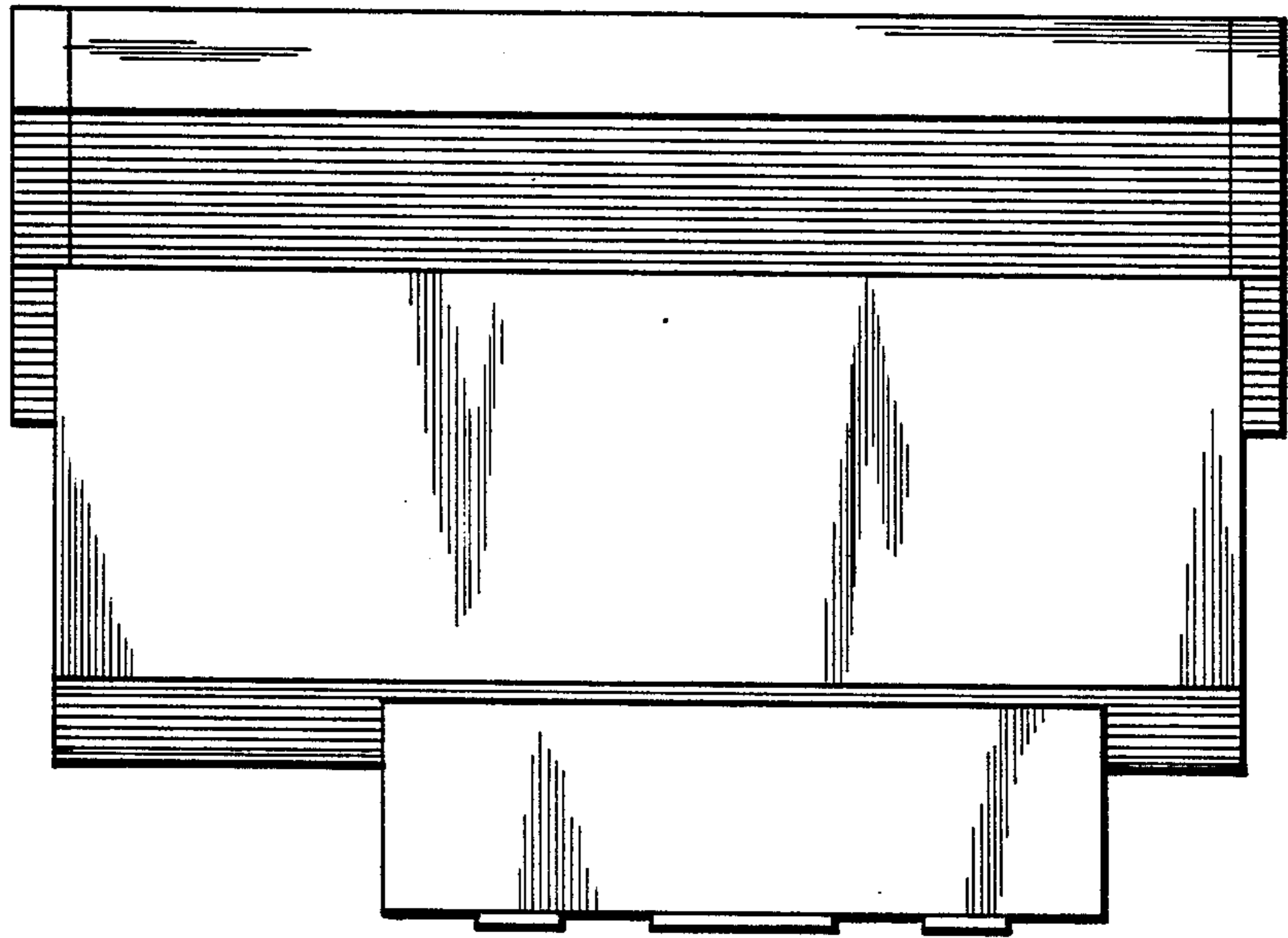


FIG. 4.

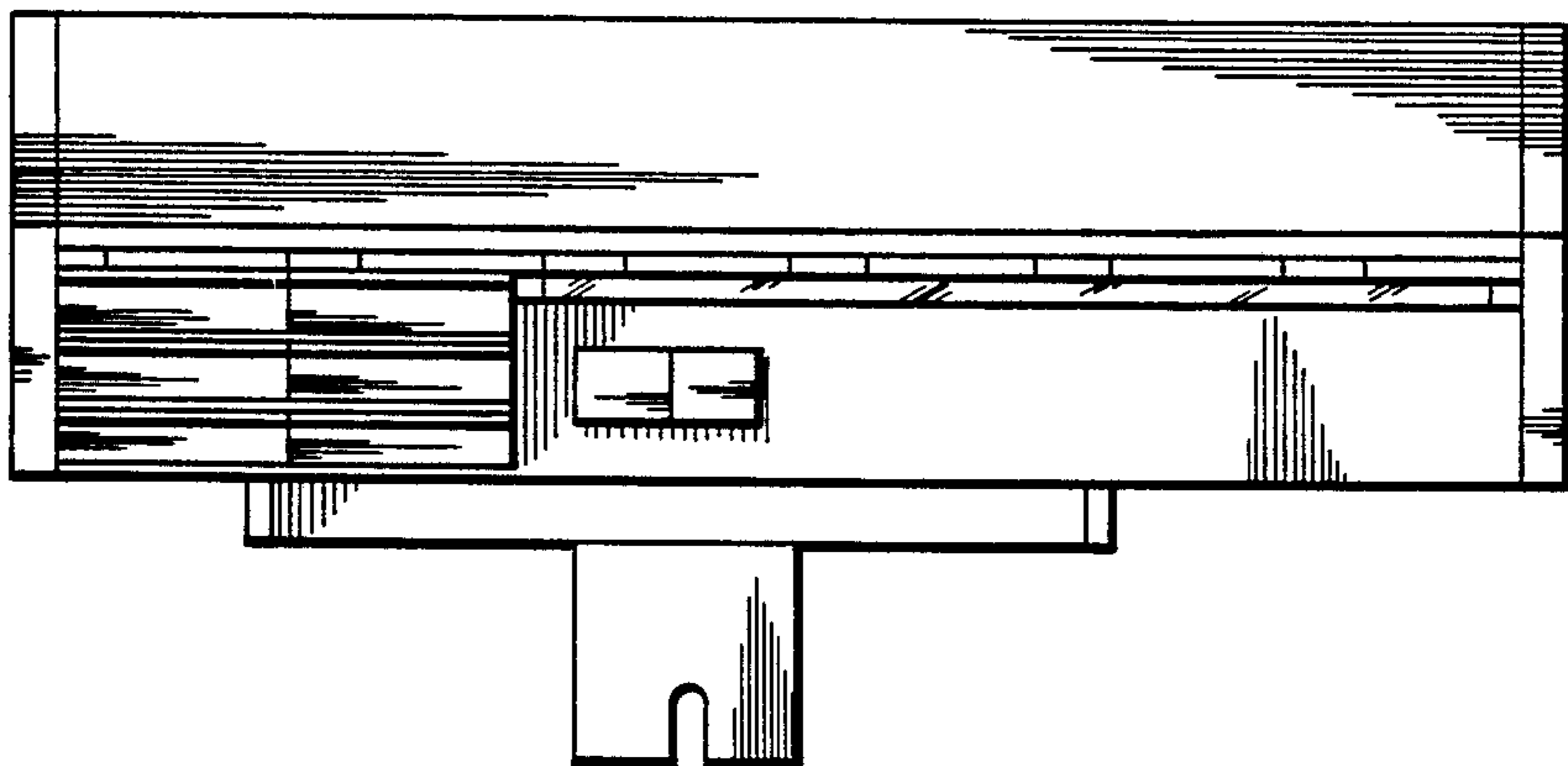


FIG. 6.

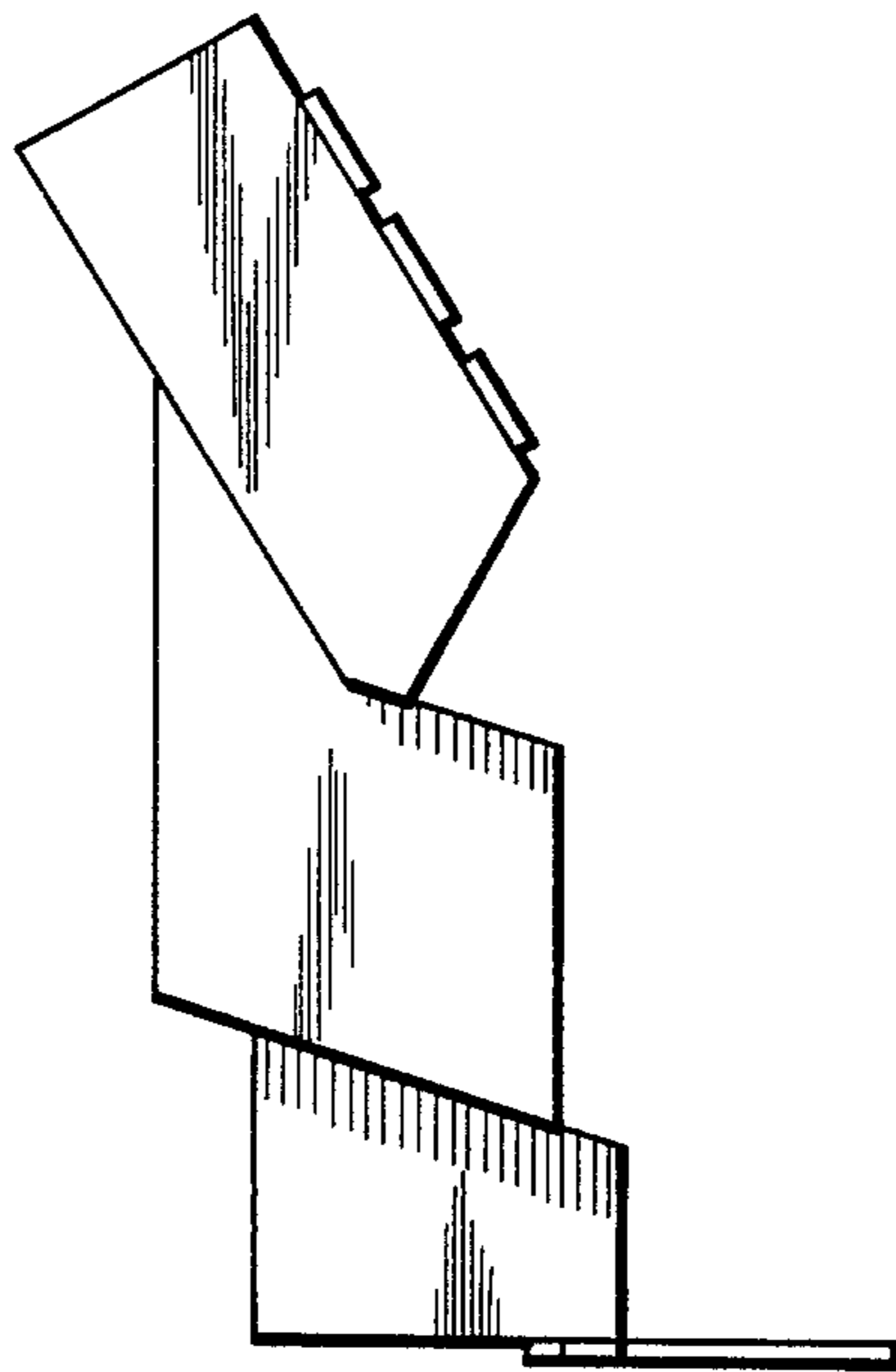


FIG. 5.

