

[54] LOCKABLE ELECTRIC PLUG ASSEMBLY

[76] Inventor: Kevin L. Audrain, Rt. 2, Box 7-4, Tritch, Tex. 79039

[\*\*] Term: 14 Years

[21] Appl. No.: 919,451

[22] Filed: Oct. 14, 1986

[52] U.S. Cl. .... D13/28

[58] Field of Search ..... D13/11, 12, 18-31, D13/40; 439/269, 350, 354, 668, 669, 682, 641, 661, 662, 692-695, 677, 395, 396, 628, 679

[56] References Cited

U.S. PATENT DOCUMENTS

D. 252,082	6/1979	Voelkert	.....	D13/24
1,918,126	7/1933	Peterson	.....	D13/29 X
2,254,754	9/1941	Reece	.....	439/269
2,307,592	1/1943	Kuhlman	.....	439/269

FOREIGN PATENT DOCUMENTS

798176	5/1936	France	.....	439/350
881338	11/1961	United Kingdom	.....	439/692

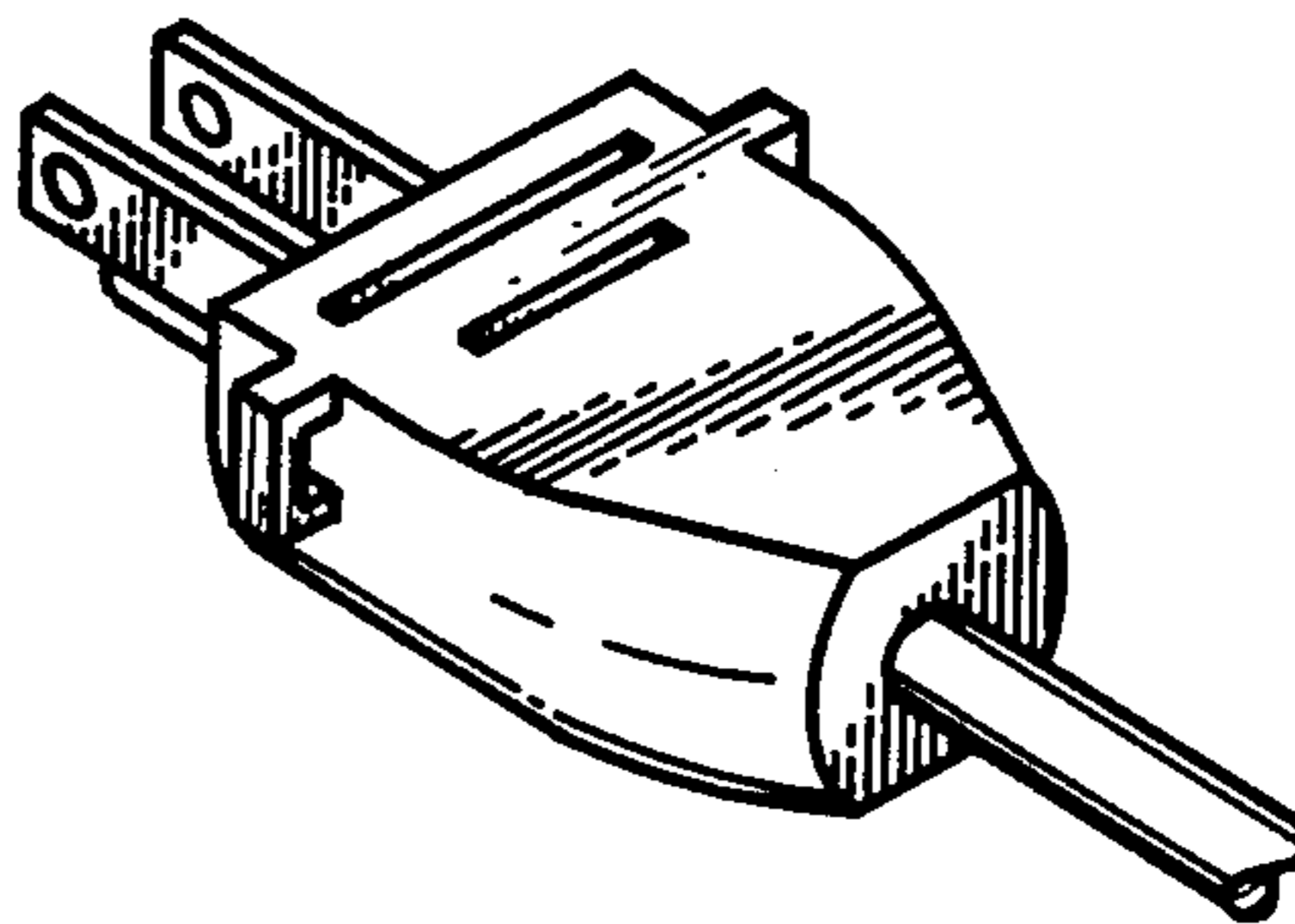
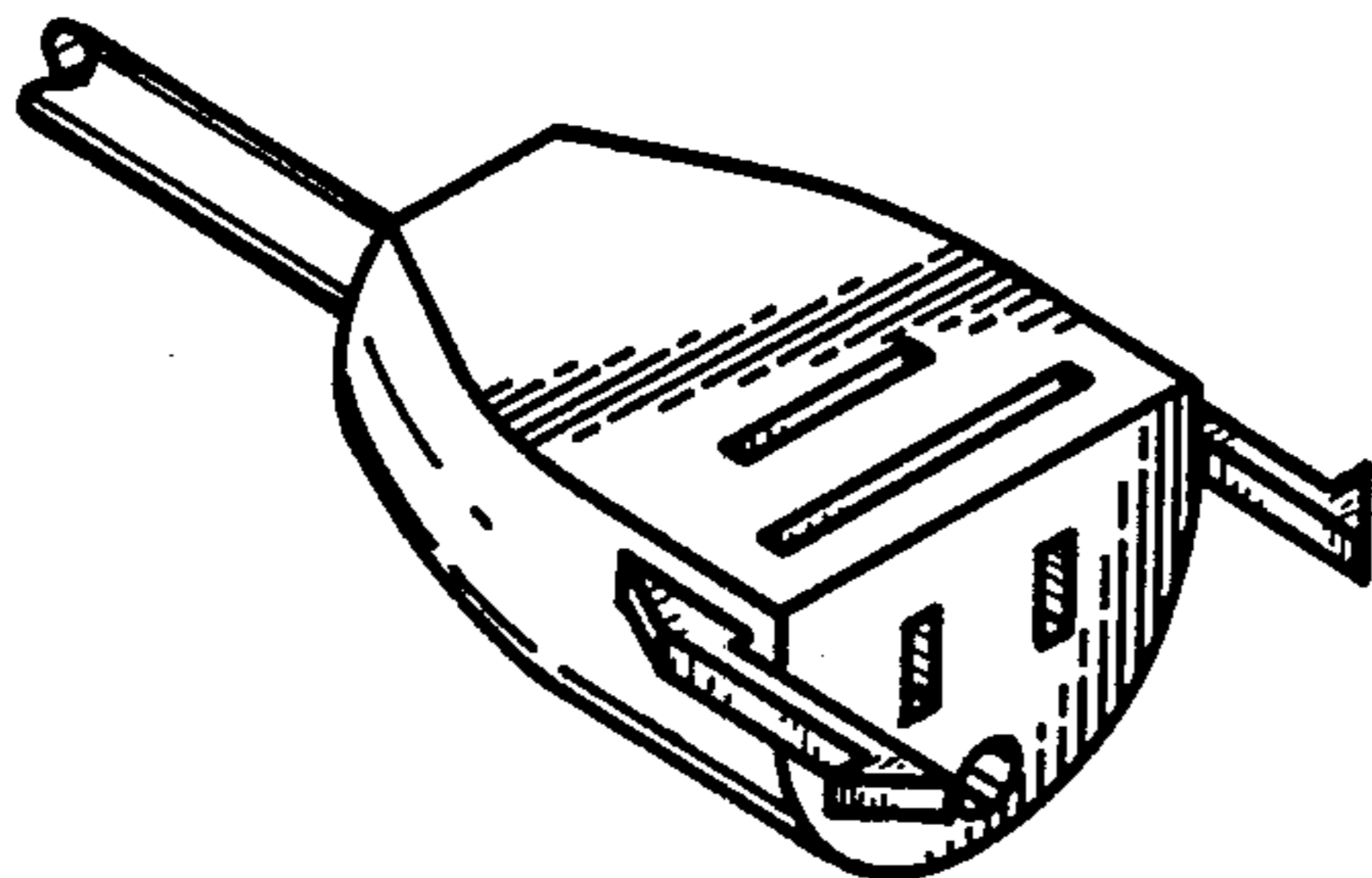
Primary Examiner—Bruce W. Dunkins  
Assistant Examiner—Clare E. Heflin  
Attorney, Agent, or Firm—Terry M. Gernstein

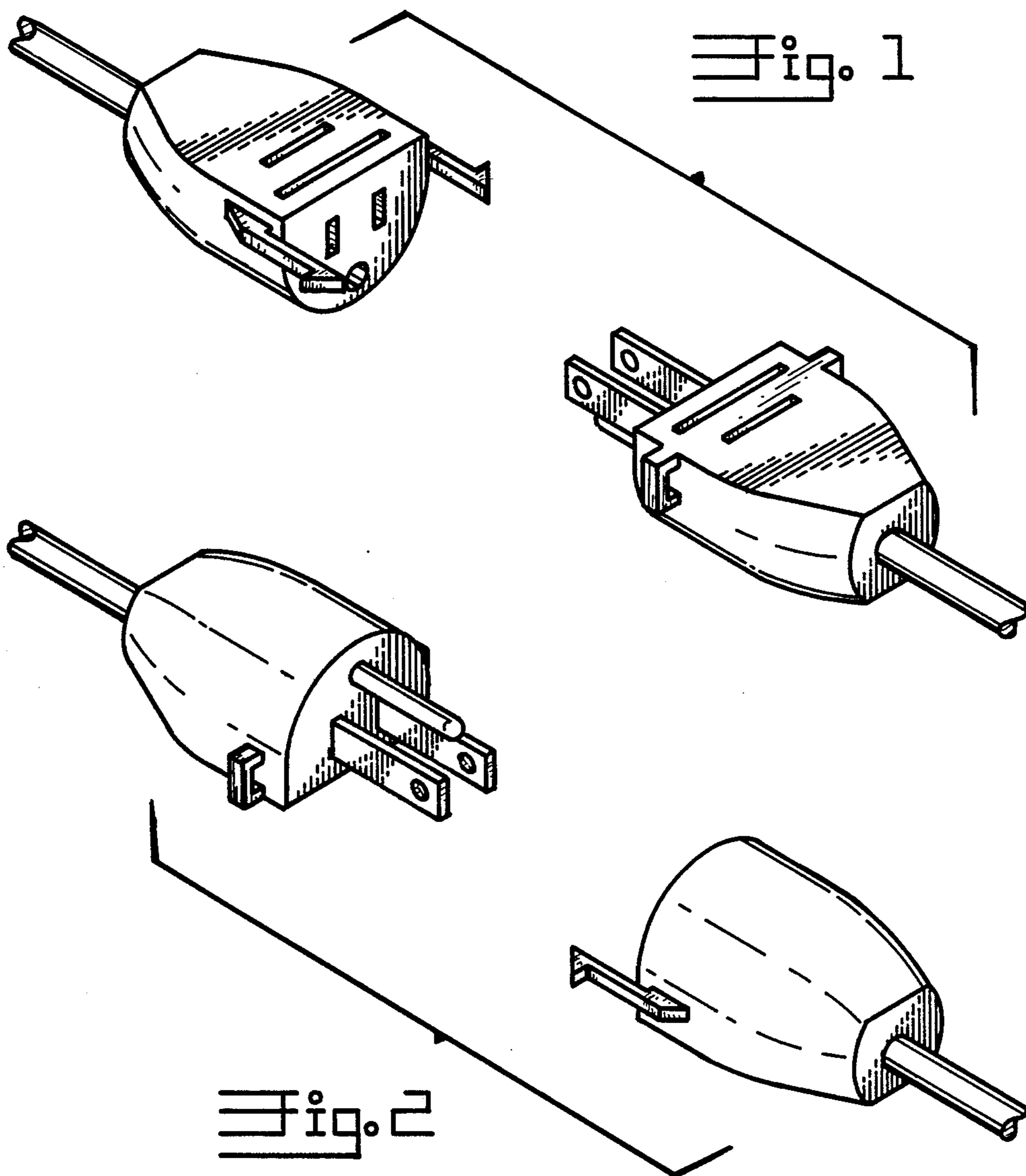
[57] CLAIM

The ornamental design for a lockable electric plug assembly, as shown and described.

DESCRIPTION

FIG. 1 is an exploded top perspective view of a lockable electric plug assembly showing my new design; FIG. 2 is an exploded bottom perspective view thereof; FIG. 3 is a side elevational view thereof with the components shown in the locked position; FIG. 4 is a top plan view thereof with the components shown in the locked position. The electric cords are shown broken away to depict indeterminate length.





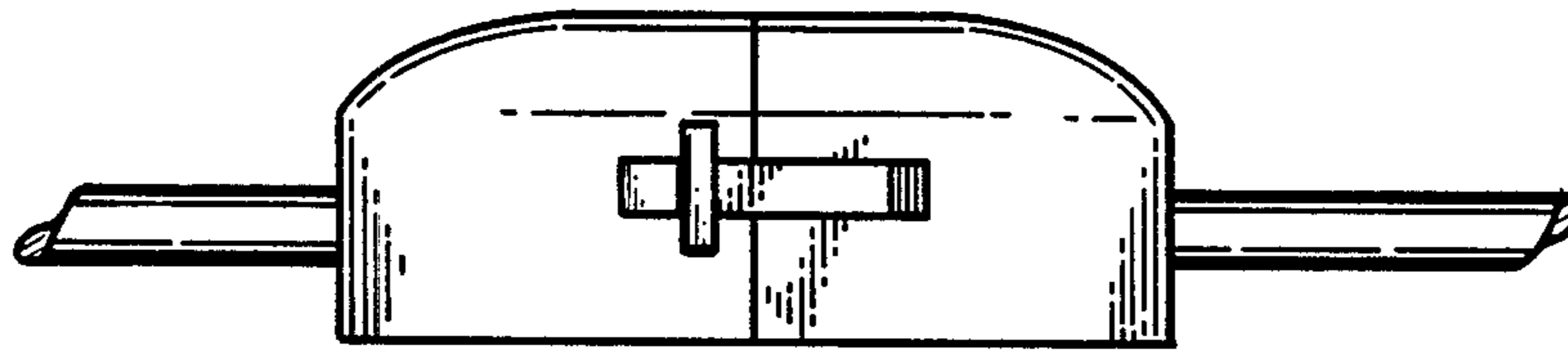


Fig. 3

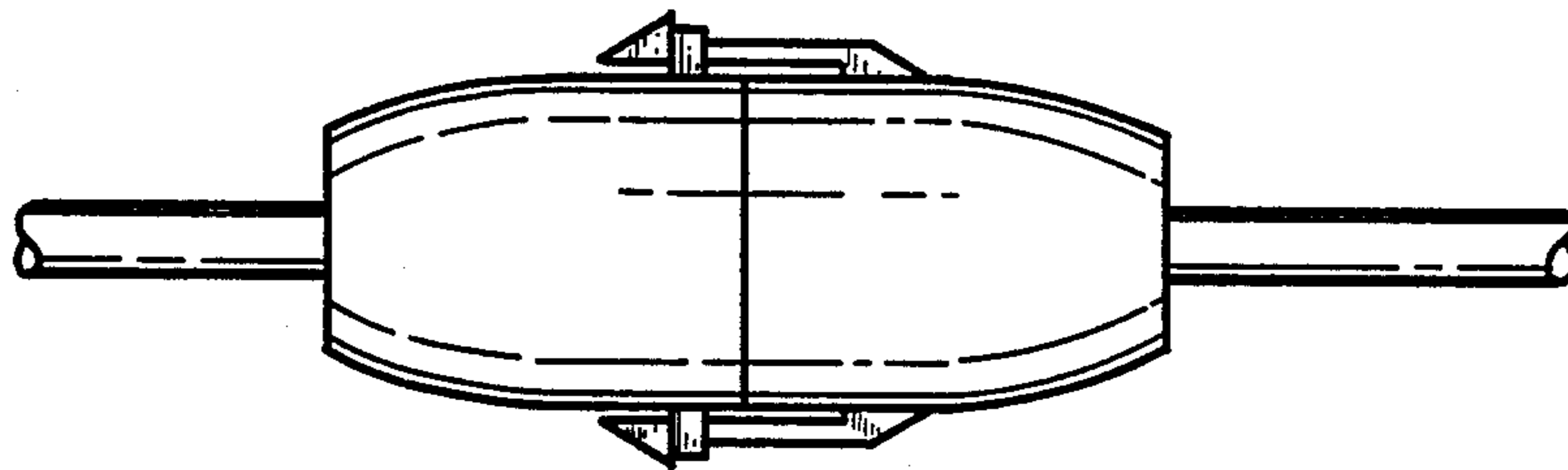


Fig. 4