

[54] HEAT SINK

[56]

References Cited

U.S. PATENT DOCUMENTS

[75] Inventors: Tony Dupasquier, Glen Ellyn; Robert L. Dupasquier, Wood Dale, both of Ill.

3,694,703 9/1972 Wilens 165/80.3 X
4,054,901 10/1977 Edwards et al. 174/16 HS X
4,537,246 8/1985 Lloyd 357/81 X

[73] Assignee: ARO Metal Stamping Co., Inc., Addison, Ill.

Primary Examiner—Susan J. Lucas
Attorney, Agent, or Firm—Mason, Kolehmainen, Rathburn & Wyss

[**] Term: 14 Years

[57]

CLAIM

The ornamental design for a heat sink, as shown.

[21] Appl. No.: 20,645

DESCRIPTION

[22] Filed: Mar. 2, 1987

[52] U.S. Cl. D13/23

[58] Field of Search D13/23; 174/16 HS; 361/386, 388; 357/81; 165/80.1, 80.2, 80.3, 185

FIG. 1 is a front perspective view of a heat sink showing my new design;
FIG. 2 is a rear perspective view thereof;
FIG. 3 is a front elevational view thereof;
FIG. 4 is a side elevational view thereof;
FIG. 5 is a rear elevational view thereof;
FIG. 6 is a bottom plan view thereof; and
FIG. 7 is a top plan view thereof.

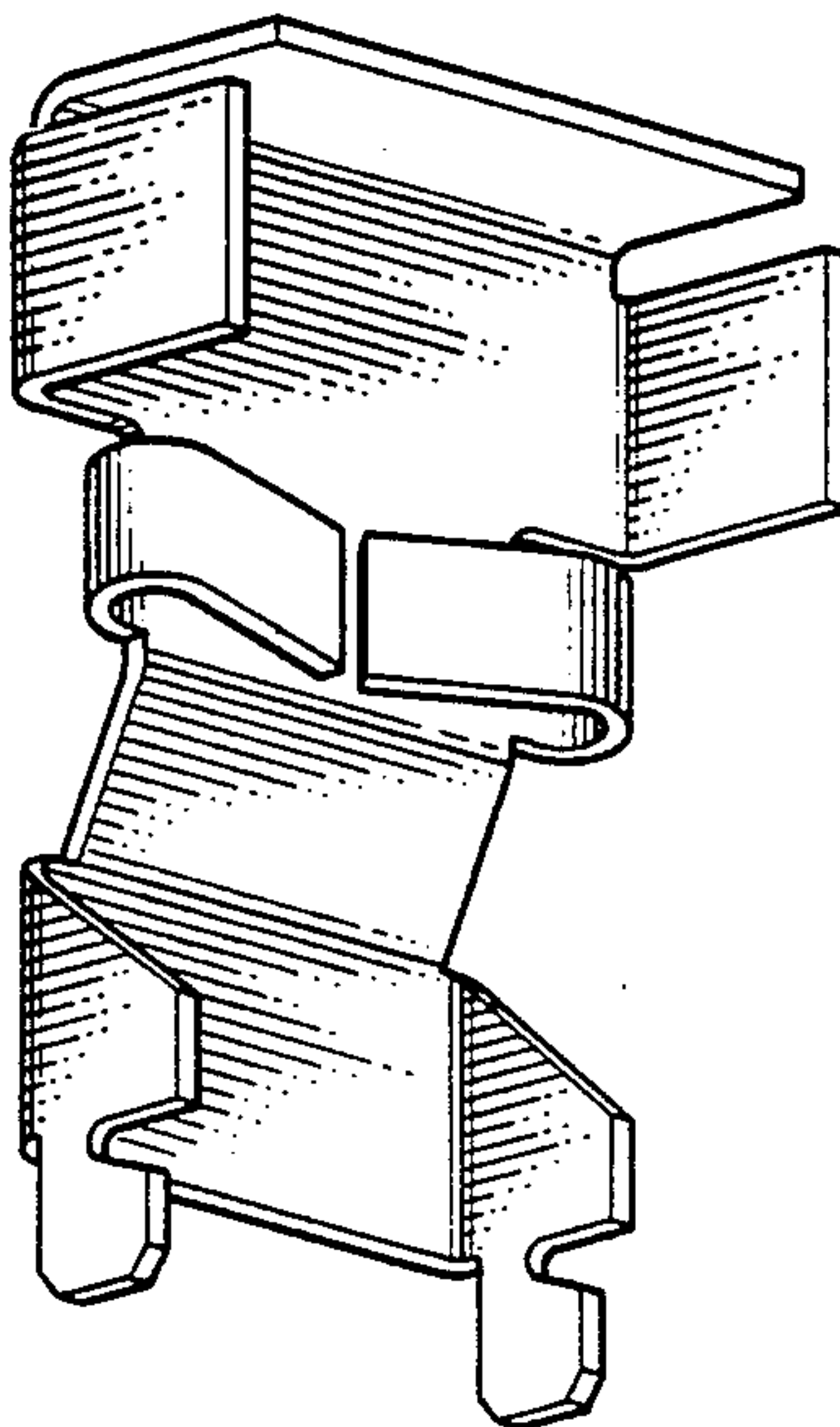


Fig. 1

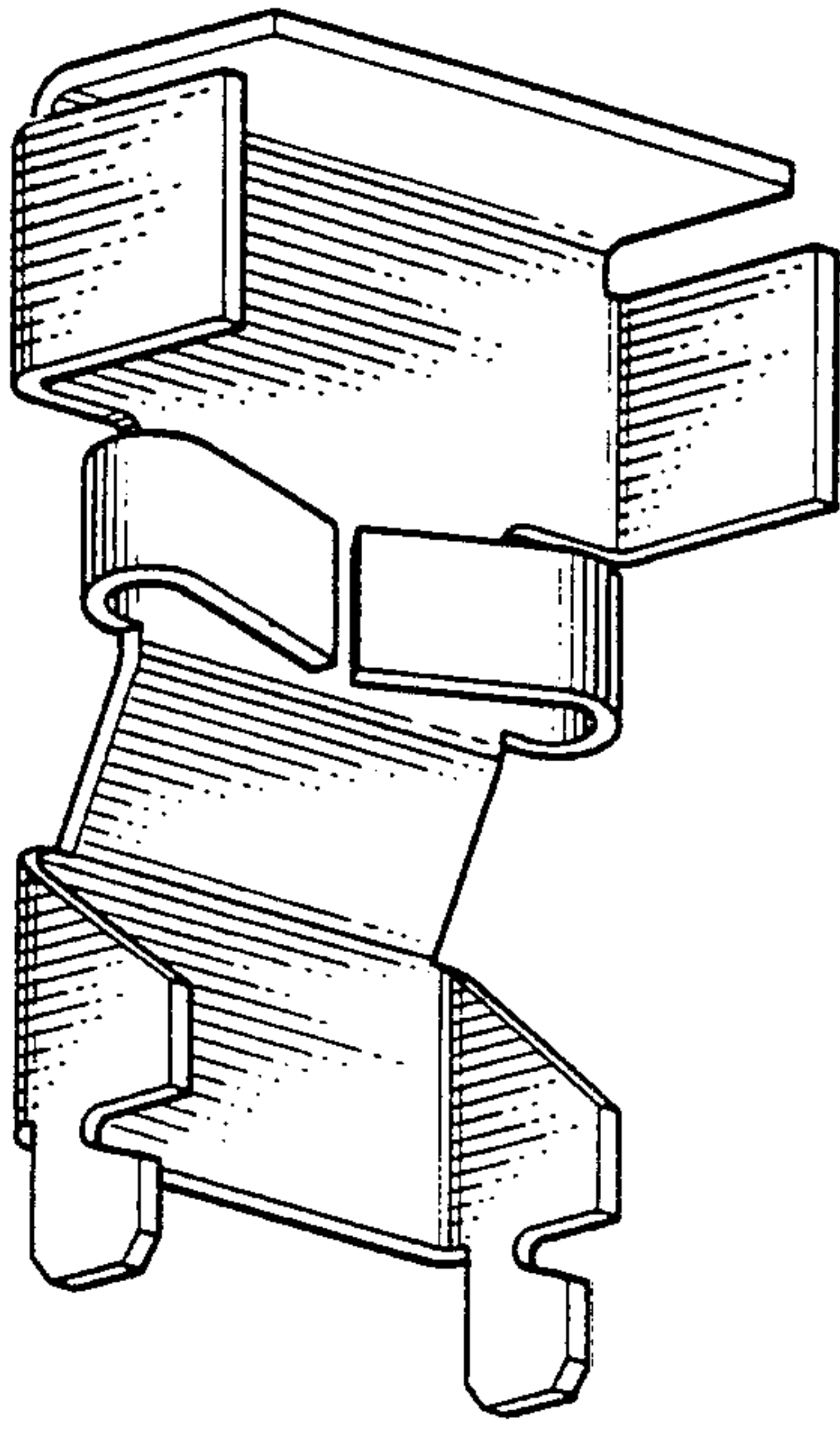


Fig. 2

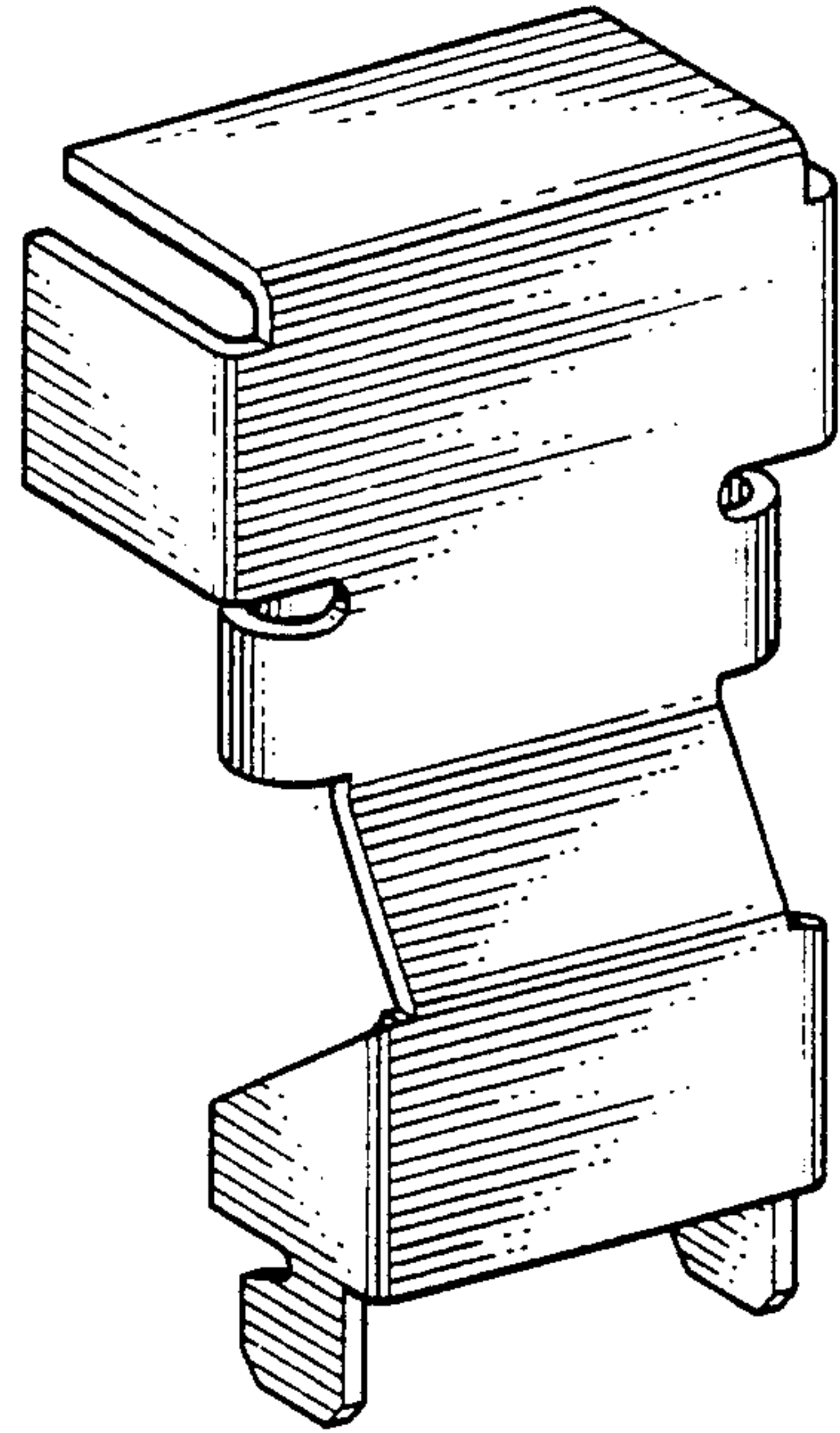


Fig. 3

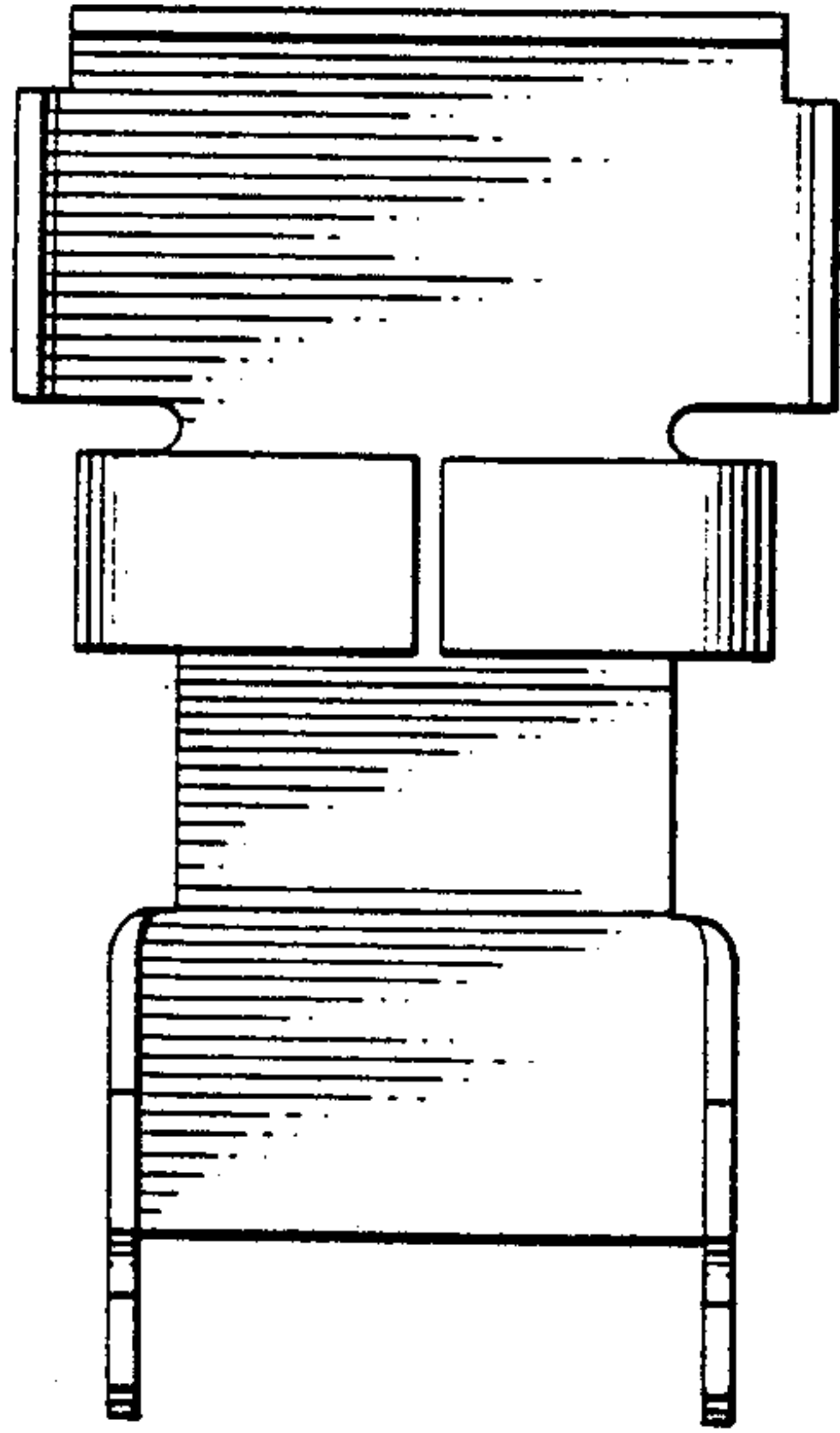


Fig. 4

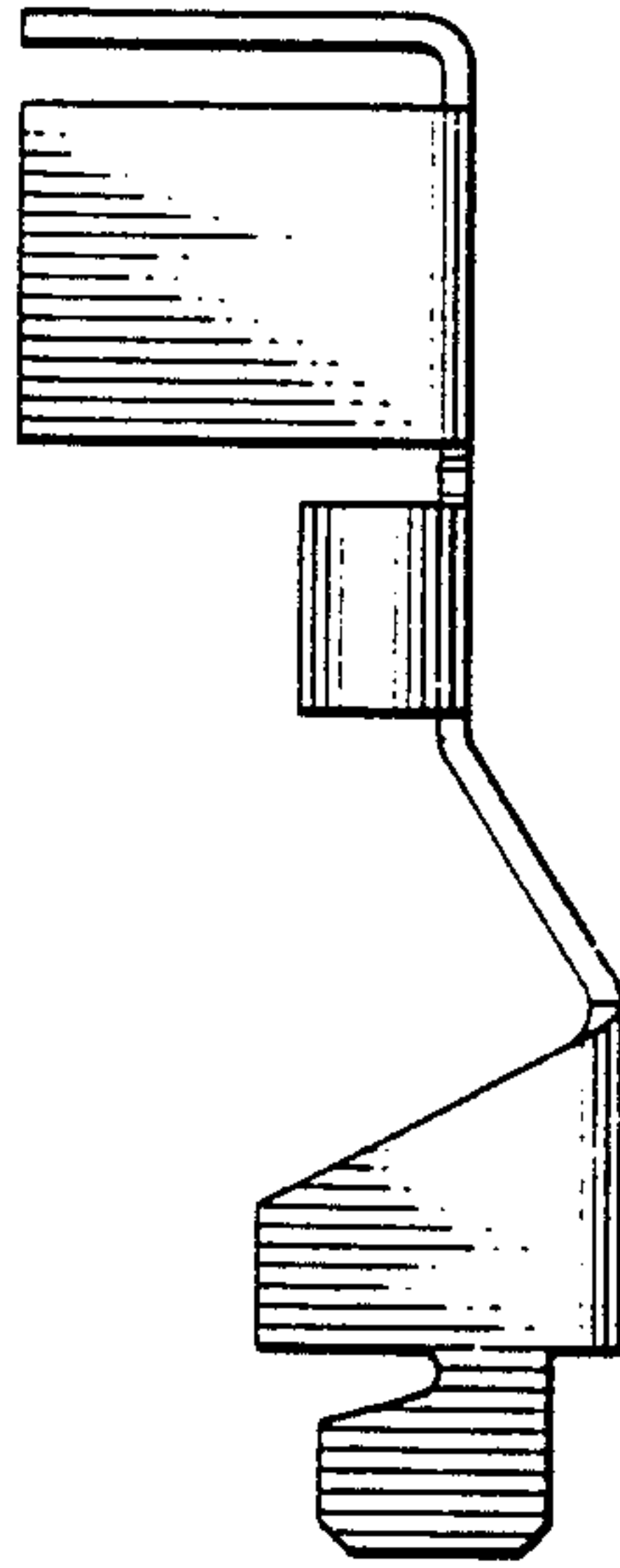


Fig. 5

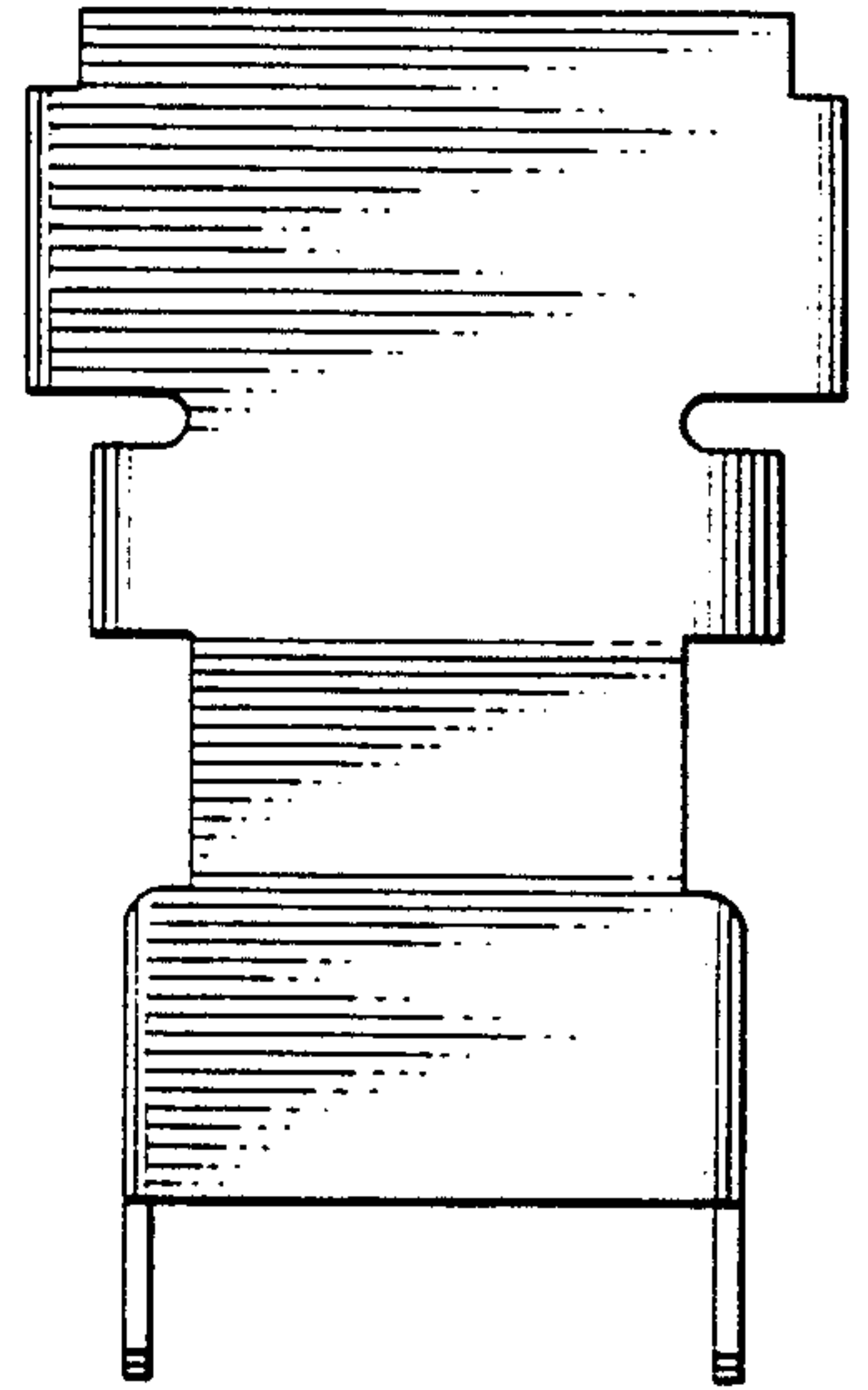


Fig. 6

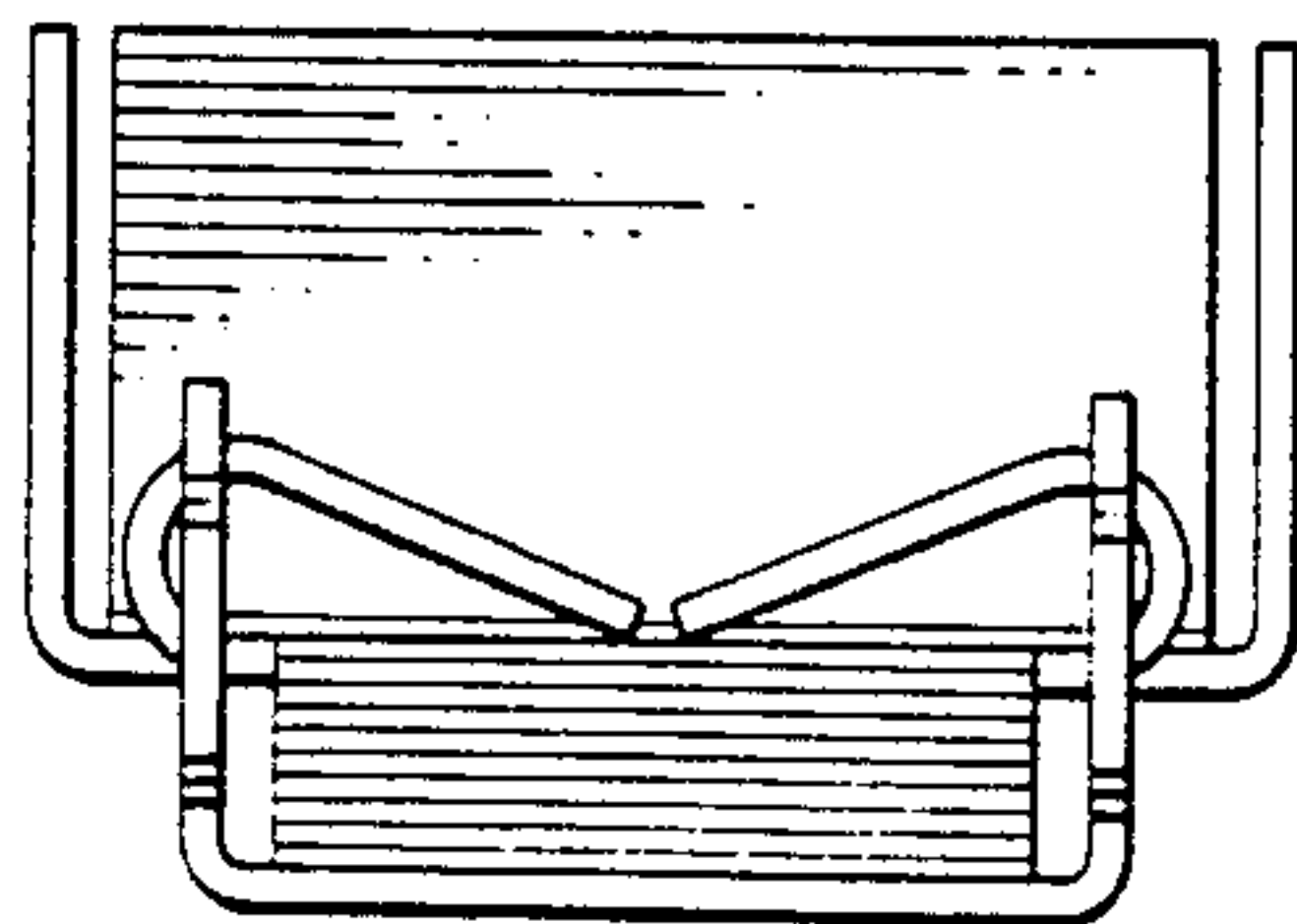


Fig. 7

