

[54] **WINDSHIELD WIPER BLADE**
[76] **Inventor: Alfred G. Cavicchioli, 4800 Bryant Irvin, Fort Worth, Tex. 76107**
[**] **Term: 14 Years**
[21] **Appl. No.: 25,928**
[22] **Filed: Mar. 16, 1987**
[52] **U.S. Cl. D12/155**
[58] **Field of Search D32/40-41; D12/155; 15/250.36-250.42**

3,566,432 1/1969 Quinlan et al. 15/250.41 X

Primary Examiner—Wallace R. Burke
Assistant Examiner—Lavone D. Tabor
Attorney, Agent, or Firm—James E. Bradley

[57] **CLAIM**

The ornamental design for a windshield wiper blade, as shown.

DESCRIPTION

FIG. 1 is an isometric view as seen from the top, one side and one end of a windshield wiper blade showing my new design;
FIG. 2 is an isometric view as seen from the bottom, opposite side and opposite end thereof; and
FIG. 3 is an end elevational view thereof.

[56] **References Cited**
U.S. PATENT DOCUMENTS
D. 212,743 11/1968 Roberts D12/155
D. 213,100 1/1969 Rickett D12/155

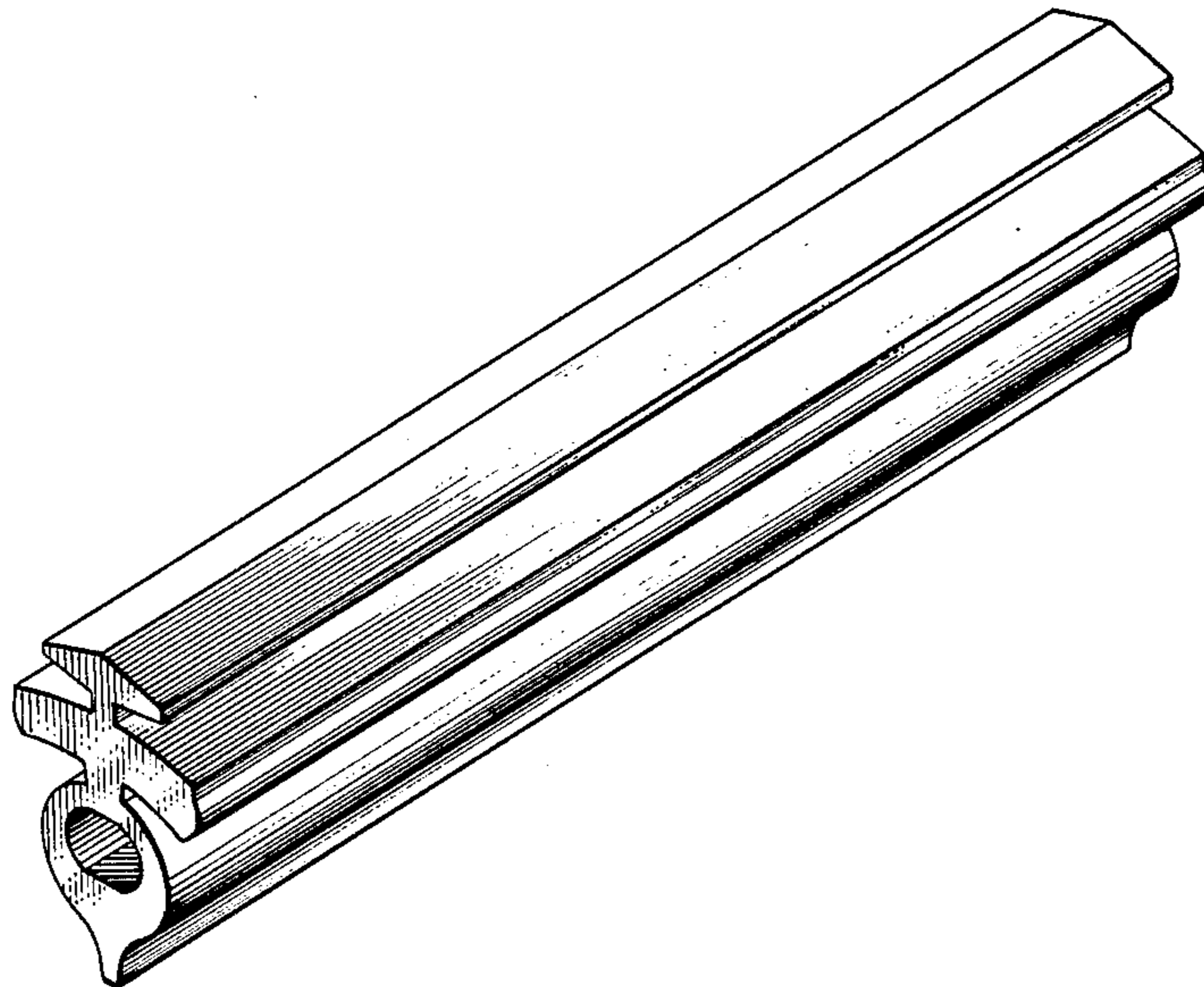


Fig. 1

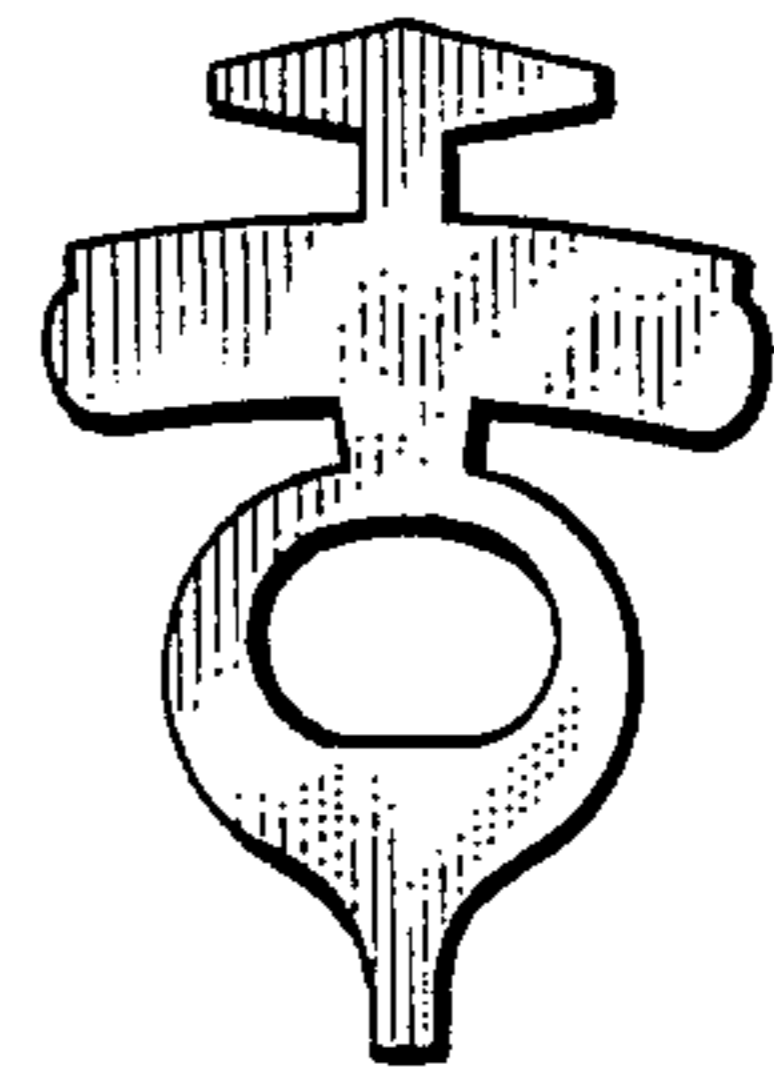
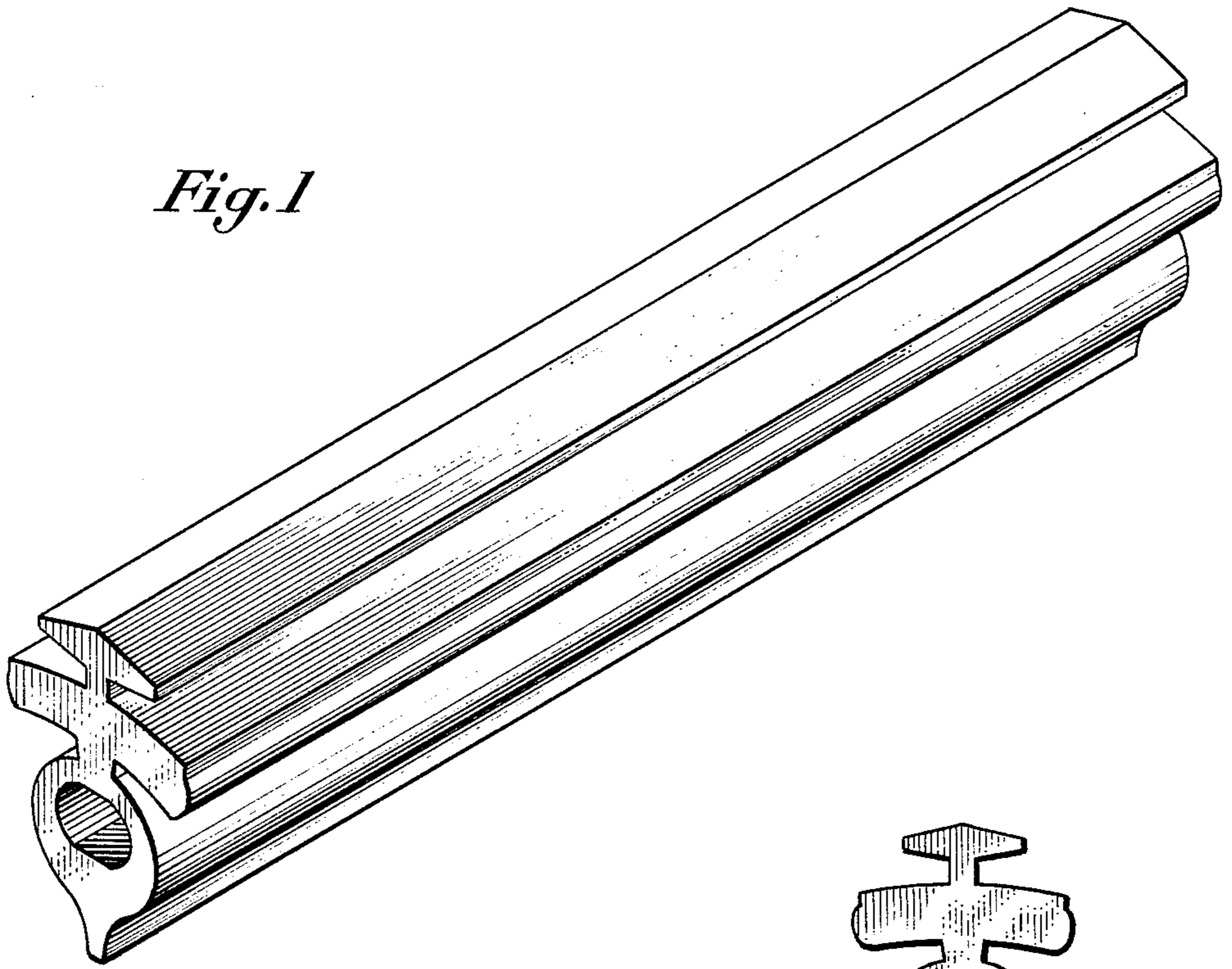


Fig. 3

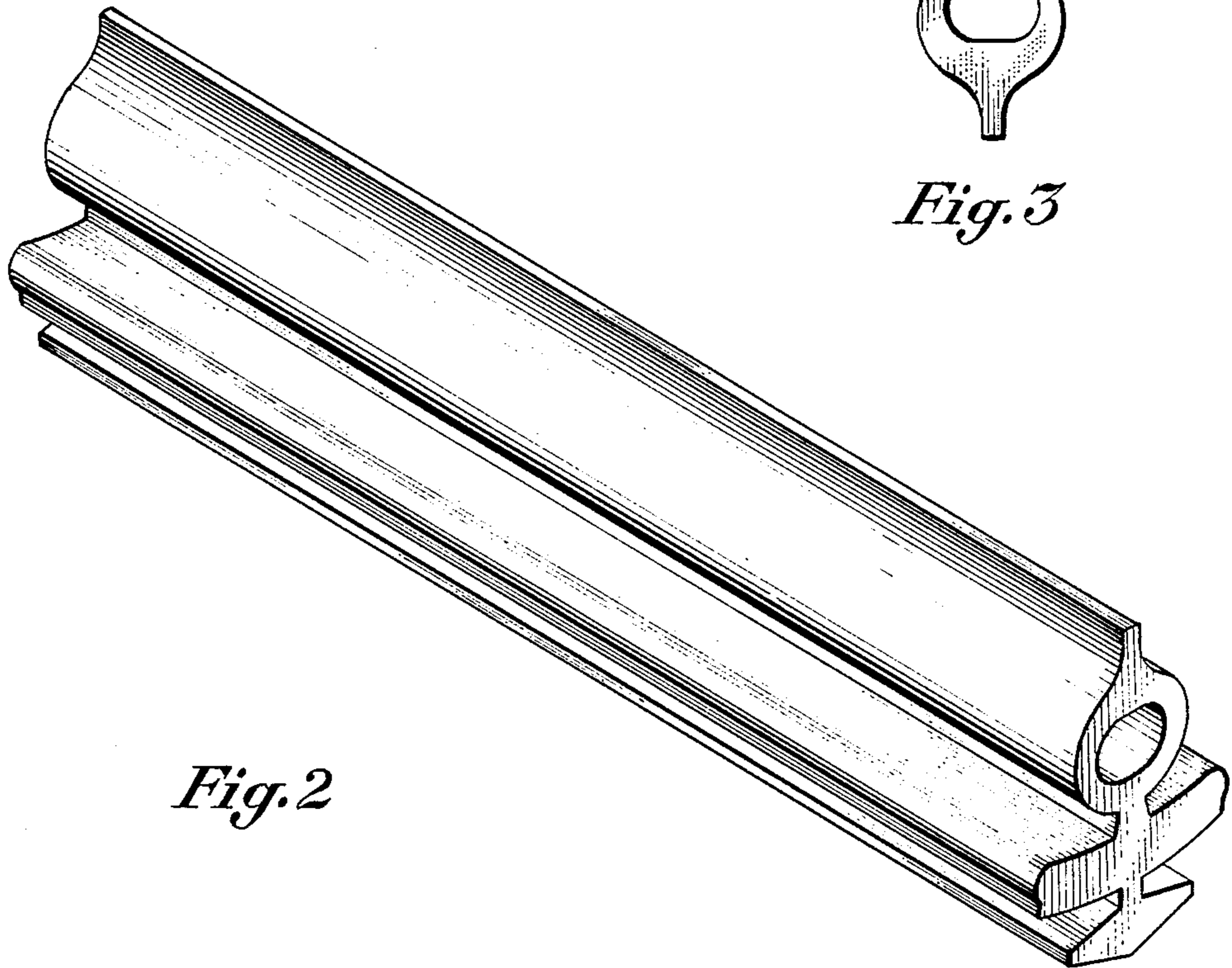


Fig. 2