

[54] AUTOMOBILE

D. 272,332 1/1984 Ritchie D12/91

[76] Inventor: Chris D. Unger, 120-B N. McPherson, Orange, Calif. 92669

OTHER PUBLICATIONS

Road & Track, 12/84, p. 134, Chevrolet Eurosport Convertible, top & bottom of page.

[*] Notice: The portion of the term of this patent subsequent to May 30, 2003 has been disclaimed.

Primary Examiner—James M. Gandy
Attorney, Agent, or Firm—Boniard I. Brown

[**] Term: 14 Years

[57] CLAIM

[21] Appl. No.: 930,853

The ornamental design for automobile, as shown and described.

[22] Filed: Nov. 13, 1986

[52] U.S. Cl. D12/92

[58] Field of Search D12/92; 296/185

DESCRIPTION

[56] References Cited

U.S. PATENT DOCUMENTS

D. 233,321 10/1974 Wilfert D12/92

D. 266,412 10/1982 Deaver D12/156

FIG. 1 is a perspective view of an automobile, showing my new design;

FIG. 2 is a side elevational view thereof, the opposite side being a mirror image thereto;

FIG. 3 is a top plan view thereof; and

FIG. 4 is a rear elevational view thereof.

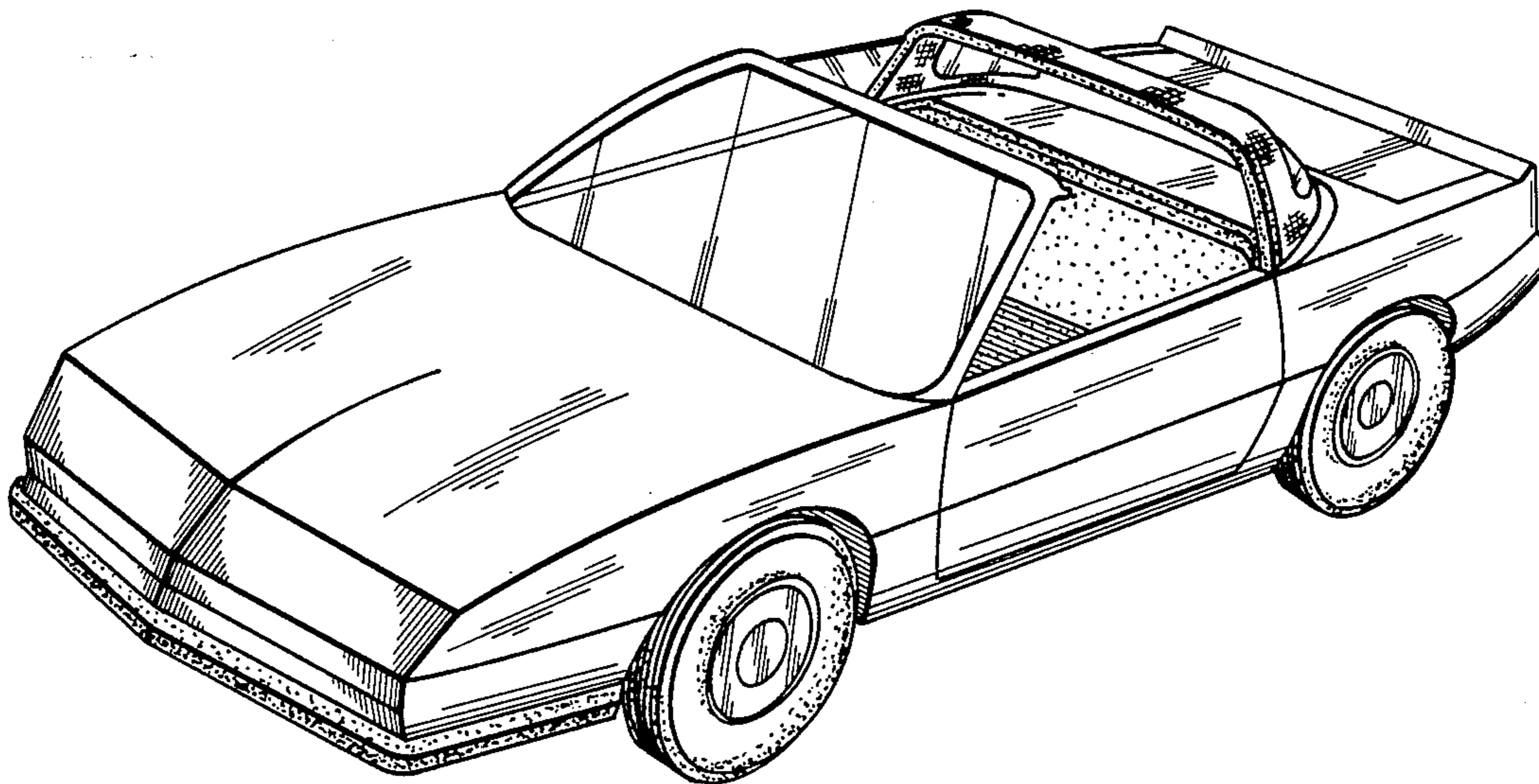


FIG. 1

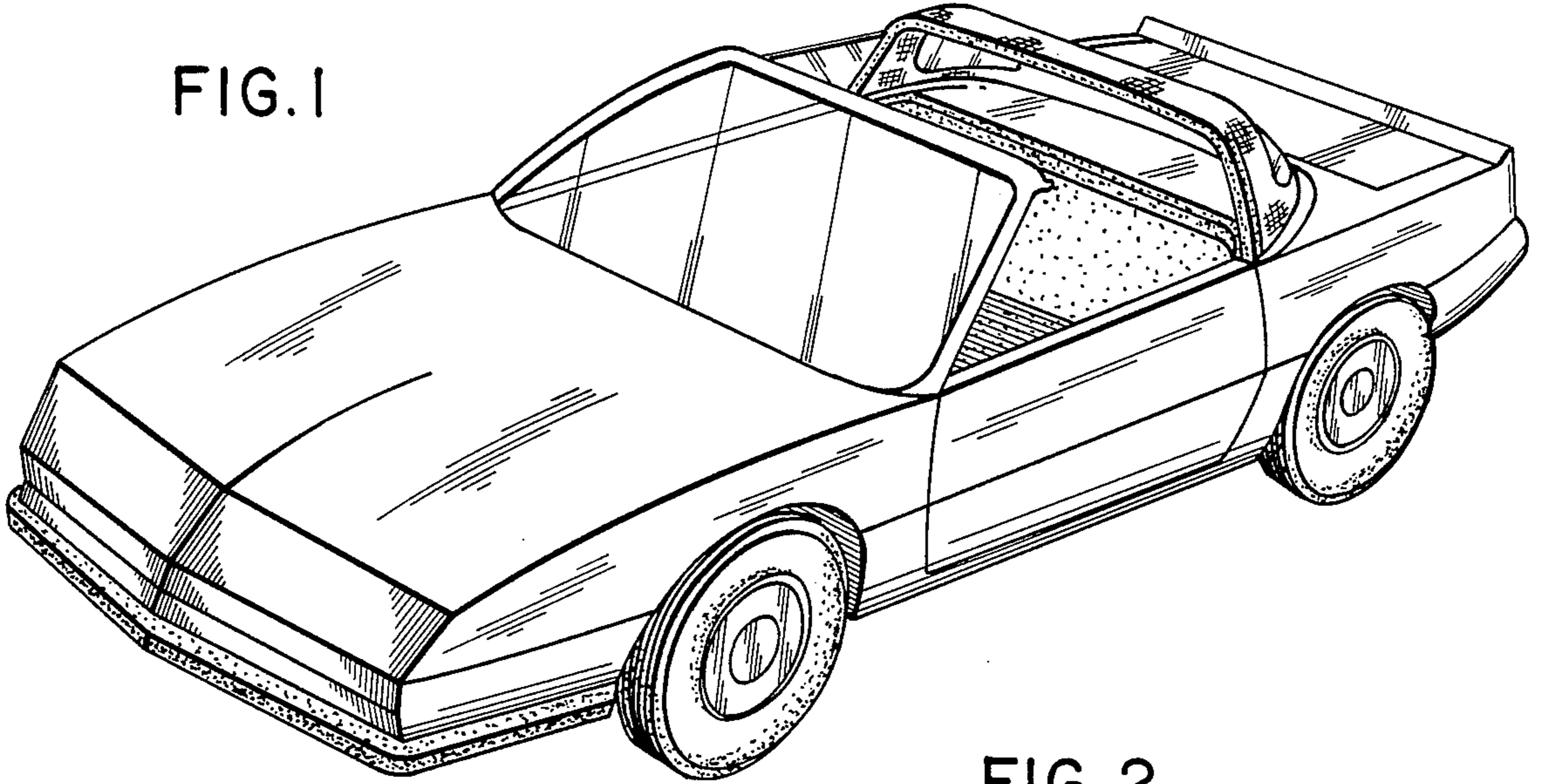


FIG. 2

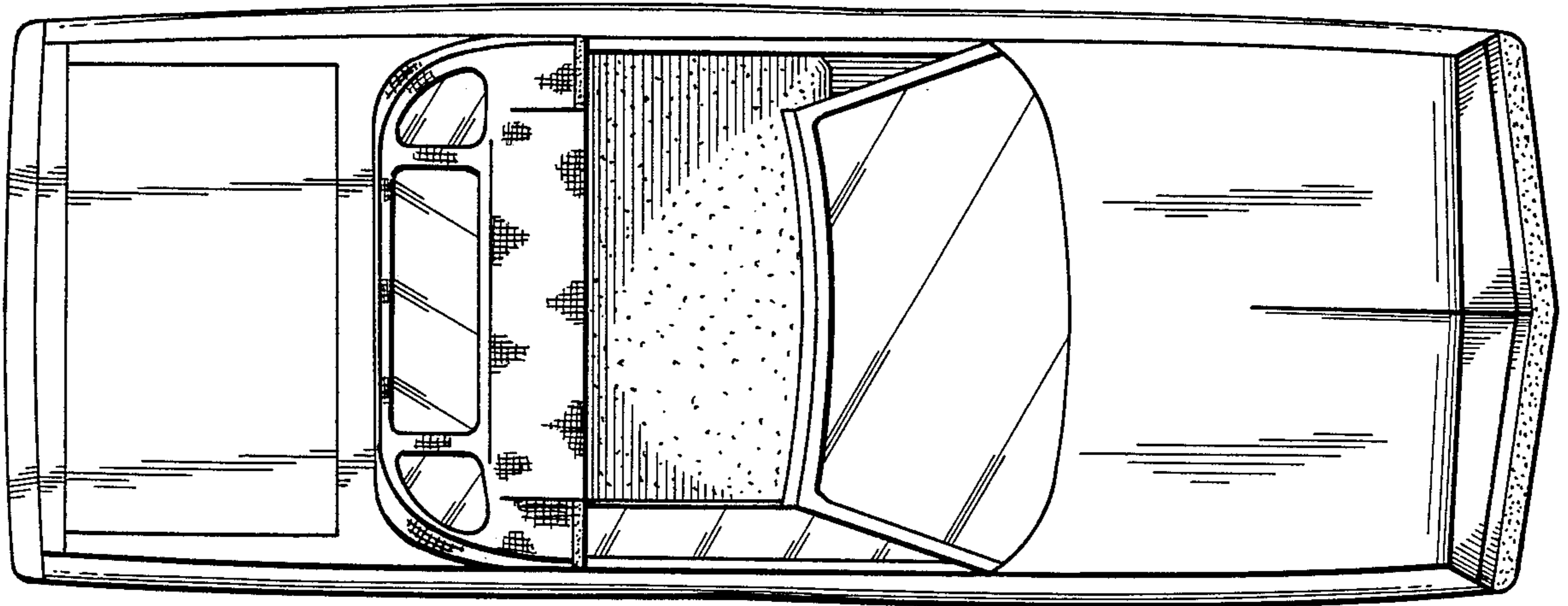


FIG. 3

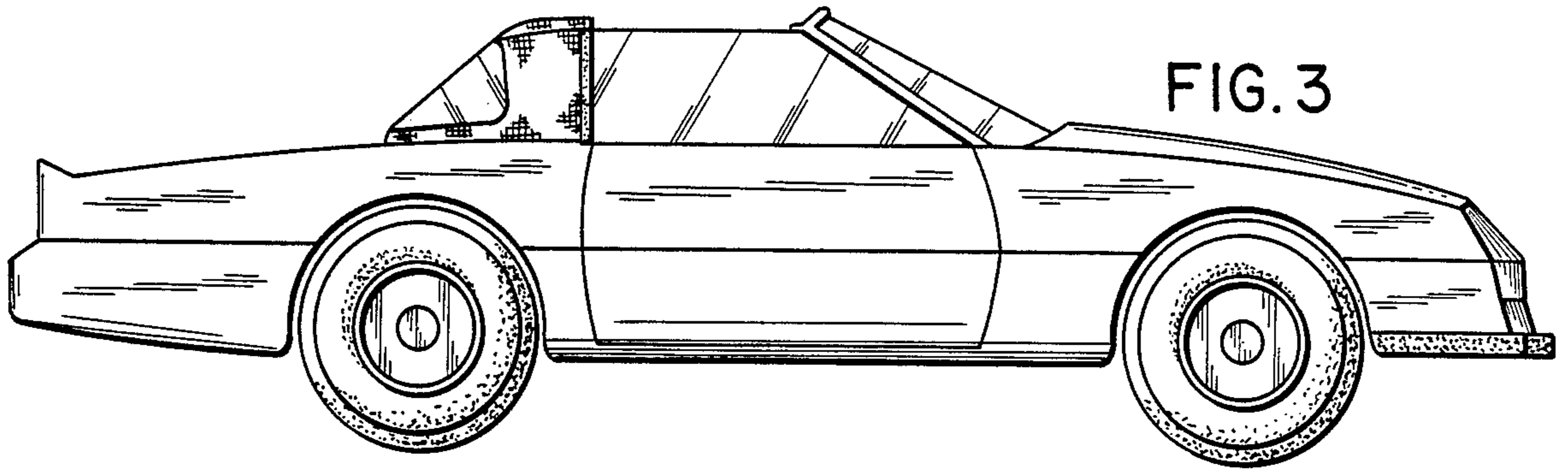


FIG. 4

