

[54] JEWELRY PENDANT OR SIMILAR ARTICLE

D. 150,976 9/1948 Katz ..... D11/75  
D. 257,018 9/1980 Barr ..... D11/27  
1,958,946 5/1934 Gautieri ..... D11/40 X  
2,092,146 9/1937 Bangs ..... D11/46 X

[75] Inventor: Takashi Yoshida, Tokyo, Japan

[73] Assignee: Heiwado Trading Company, Ltd., Japan

[\*\*] Term: 14 Years

[21] Appl. No.: 939,673

[22] Filed: Dec. 9, 1986

[30] Foreign Application Priority Data

Sep. 5, 1986 [JP] Japan ..... 61-34712

[52] U.S. Cl. .... D11/79; D11/75

[58] Field of Search ..... D11/2, 40-47, D11/75, 76, 79-81, 86, 93, 27; 63/1.1, 2, 12-14.8, 18-21, 23

[56] References Cited

U.S. PATENT DOCUMENTS

D. 64,552 4/1924 Milhening ..... D11/47  
D. 138,956 10/1944 Karples ..... D11/43

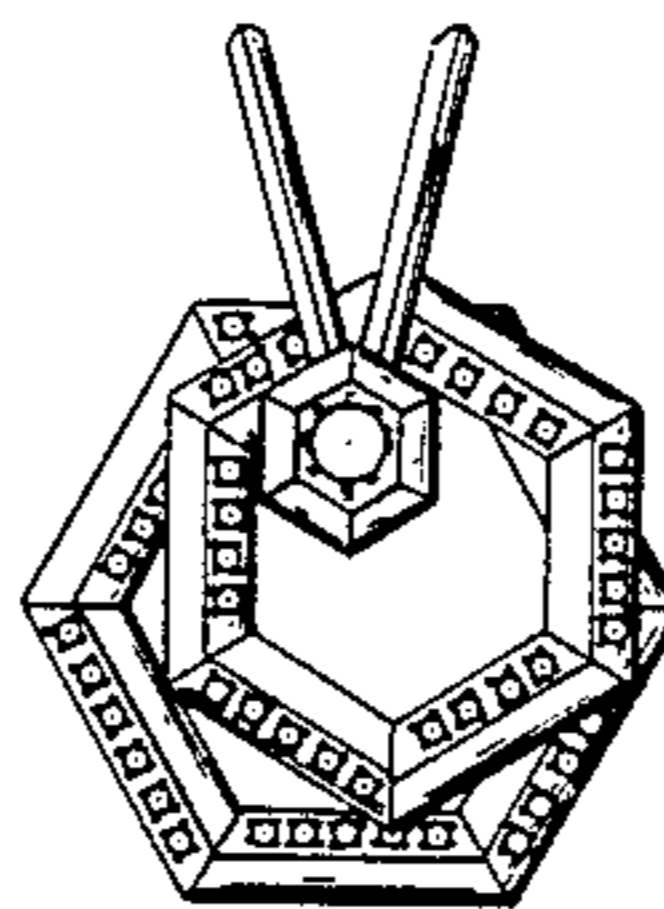
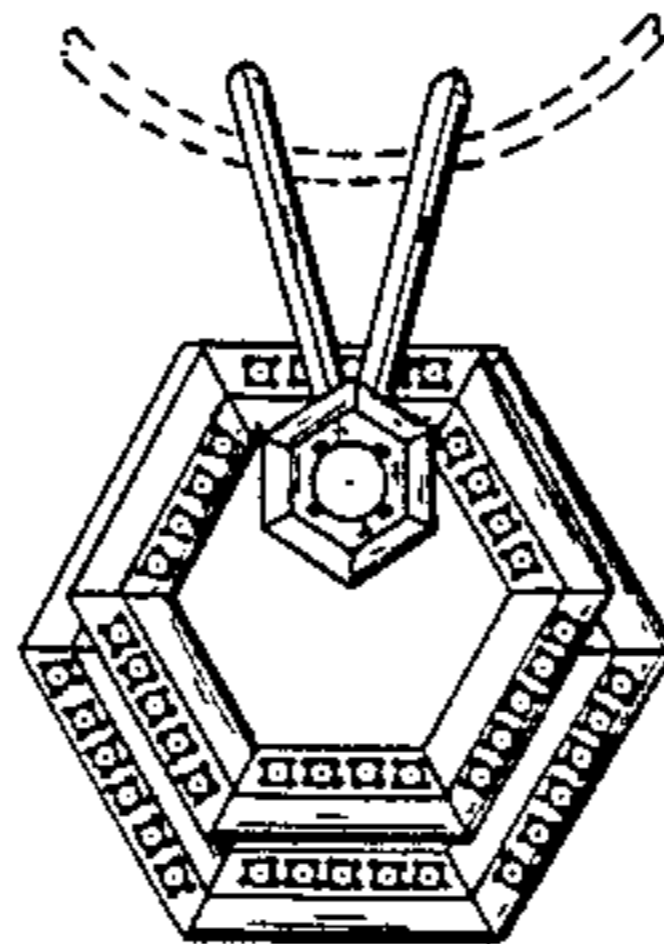
Primary Examiner—Louis S. Zarfes  
Attorney, Agent, or Firm—Laff, Whitesel, Conte & Saret

[57] CLAIM

The ornamental design for a jewelry pendant or similar article, as shown and described.

DESCRIPTION

FIG. 1 is a front elevation of a jewelry pendant or similar article showing our new design;  
FIG. 2 is a rear elevation;  
FIG. 3 is a front elevation with two parts displaced from each other;  
FIG. 4 is a right side elevation;  
FIG. 5 is a bottom plan view; and  
FIG. 6 is a top plan view.  
The broken line showing of support member in FIG. 1 is for illustrative purposes only and forms no part of the claimed design.



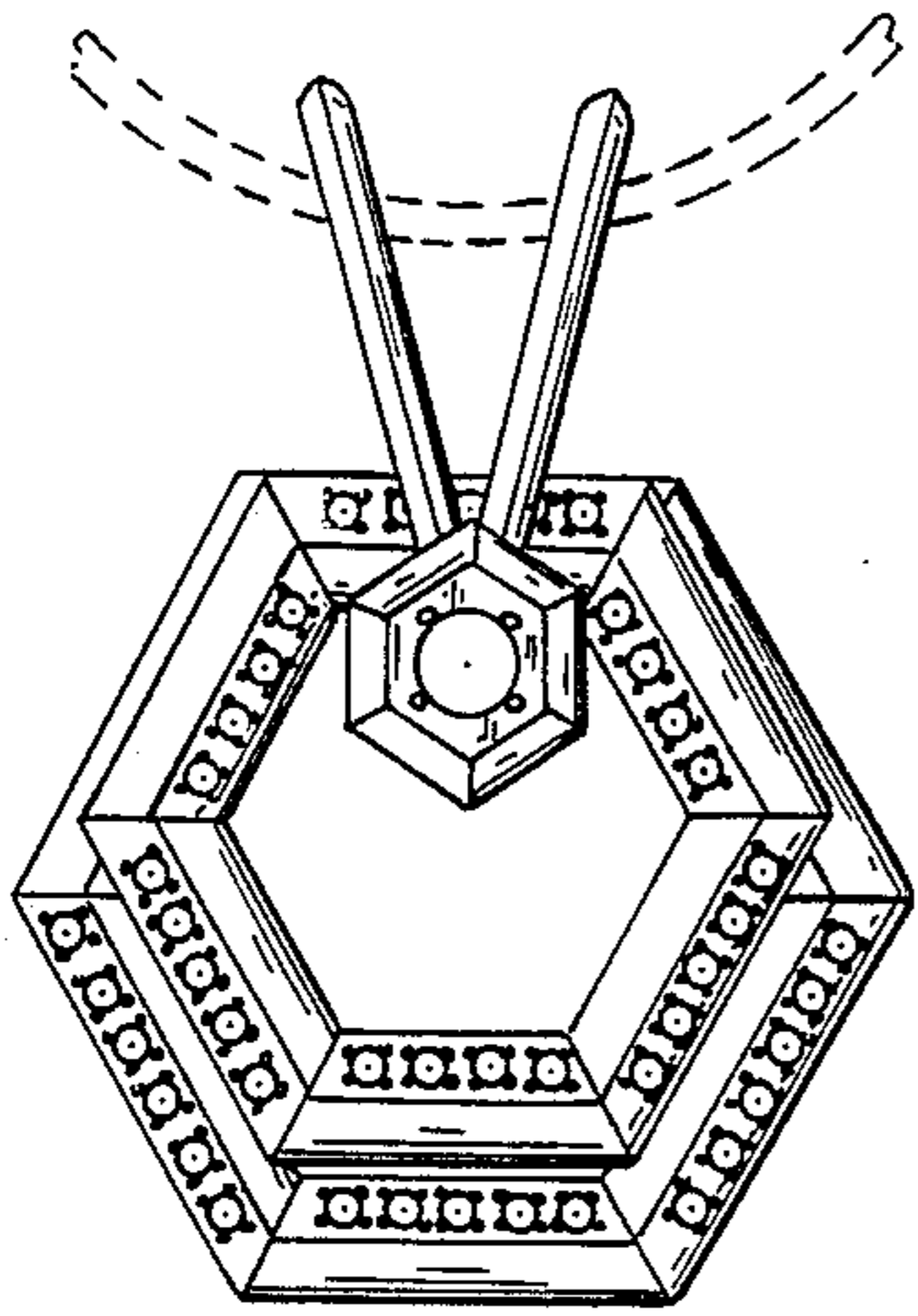


FIG. 1

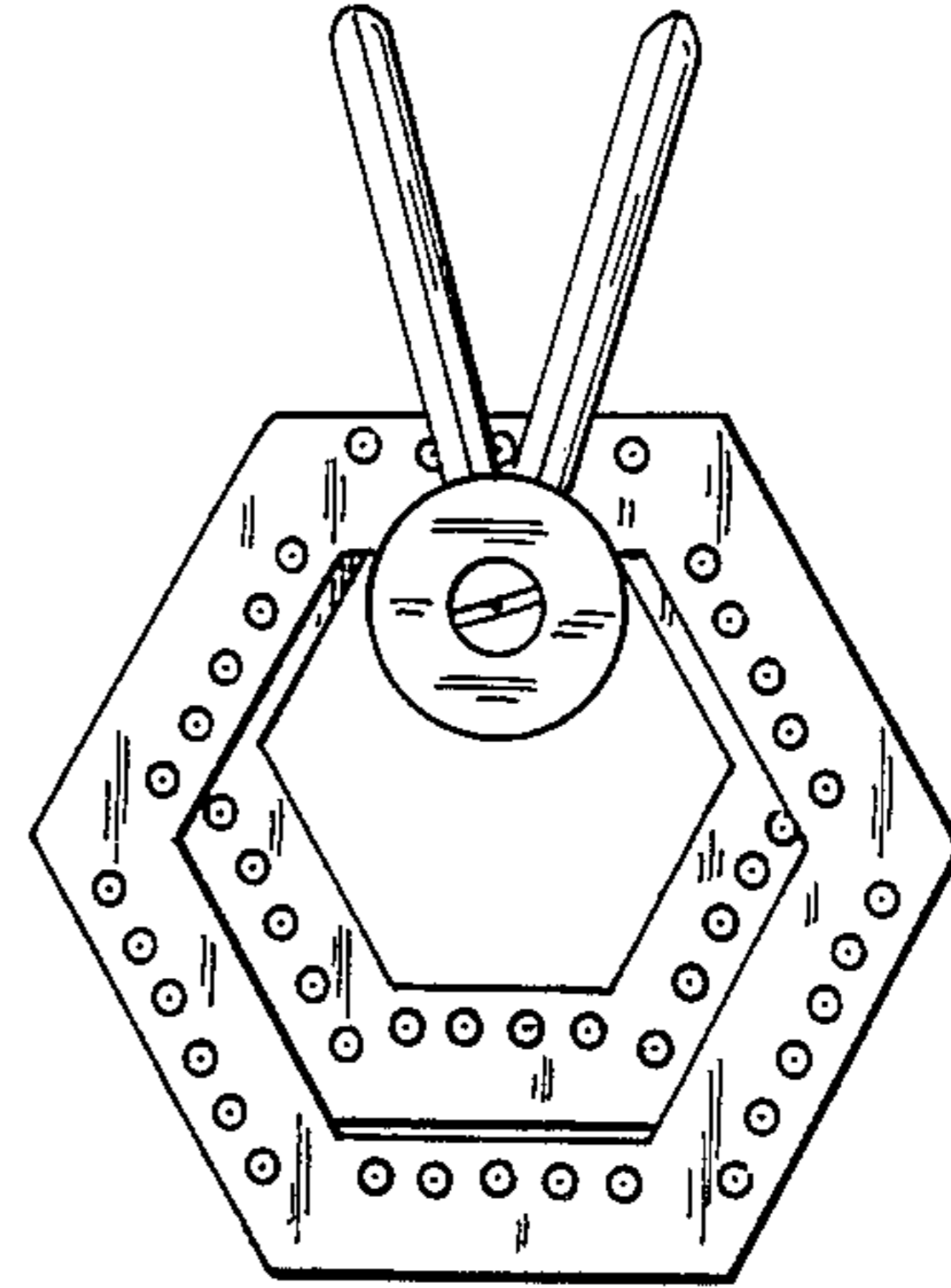


FIG. 2

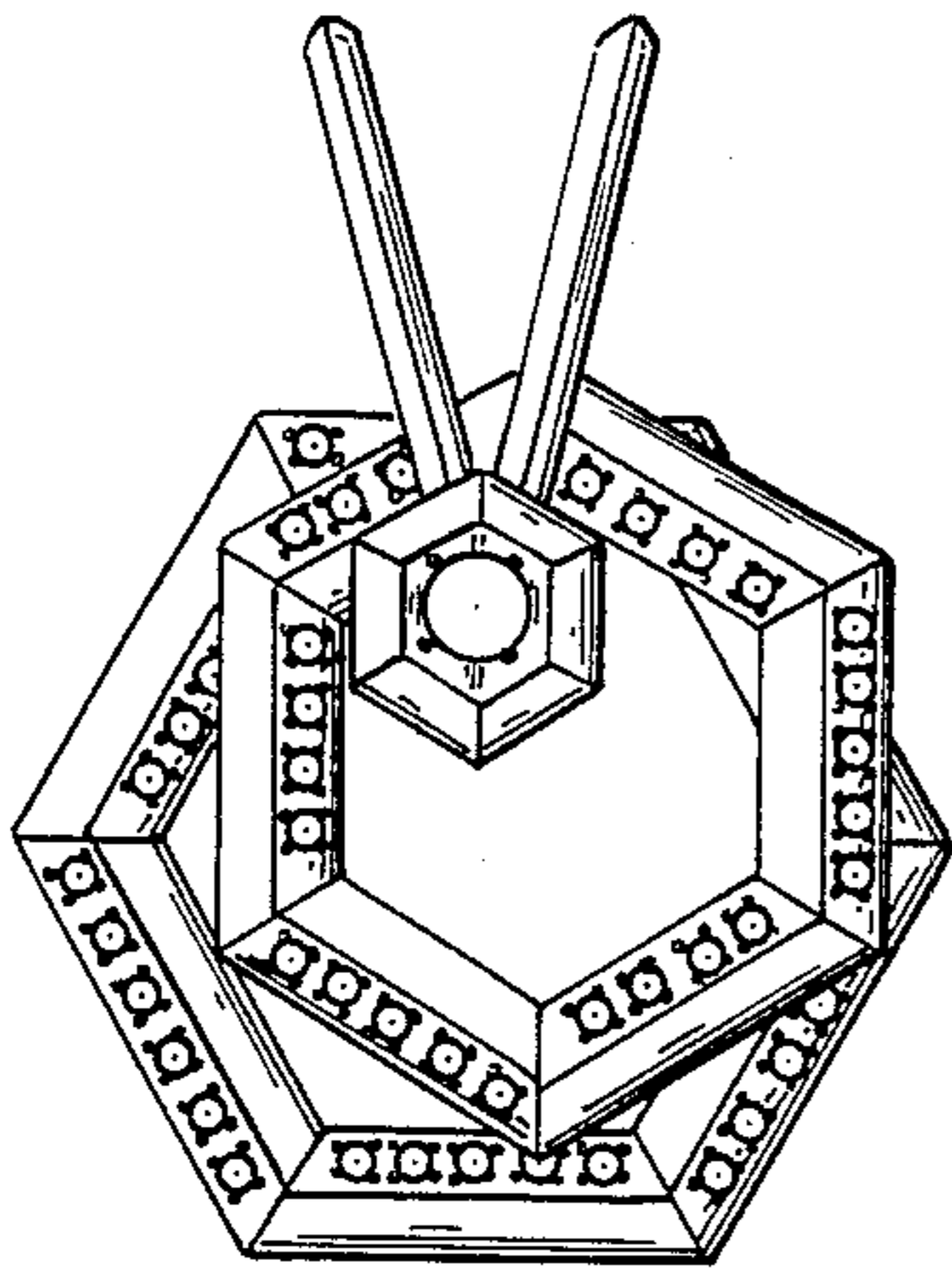


FIG. 3

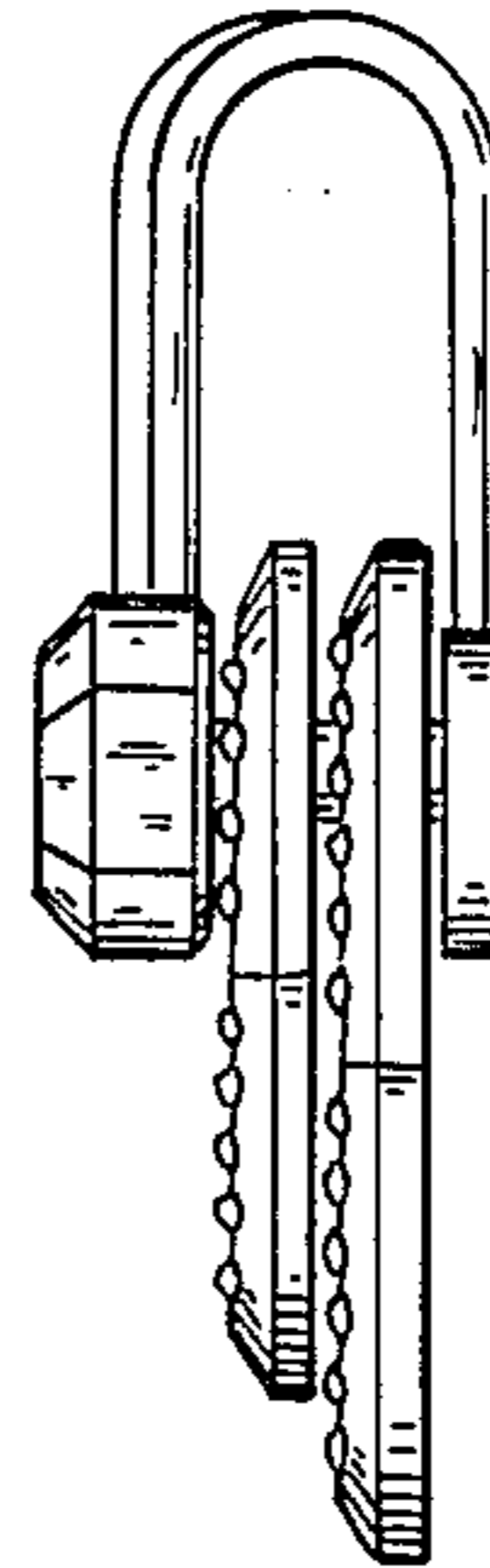


FIG. 4

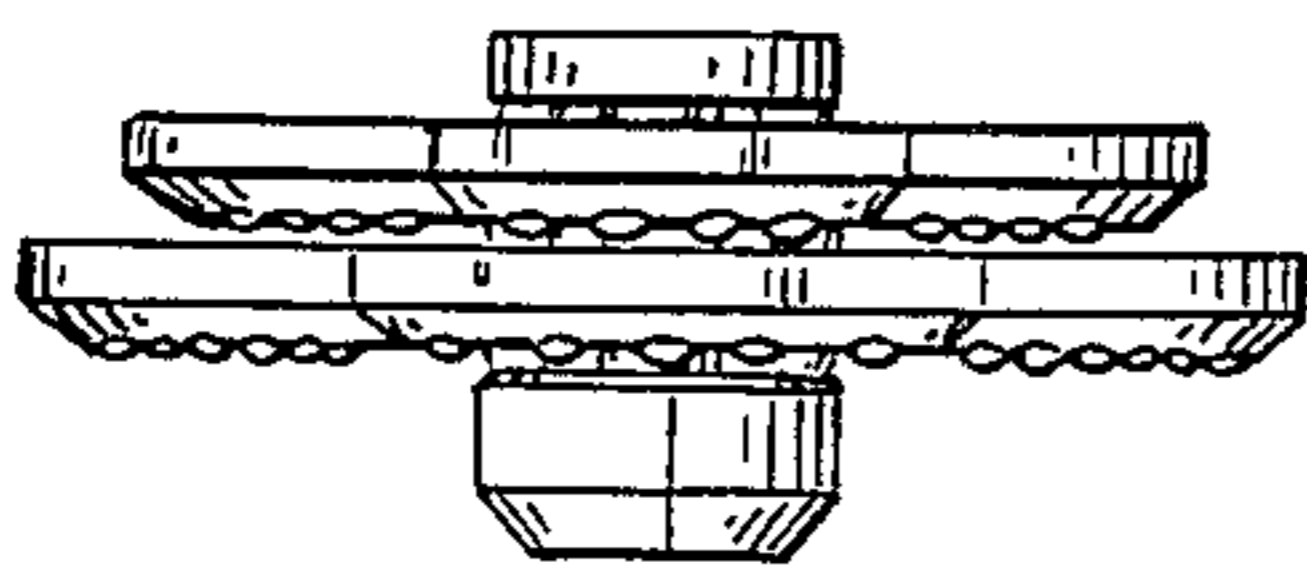


FIG. 5

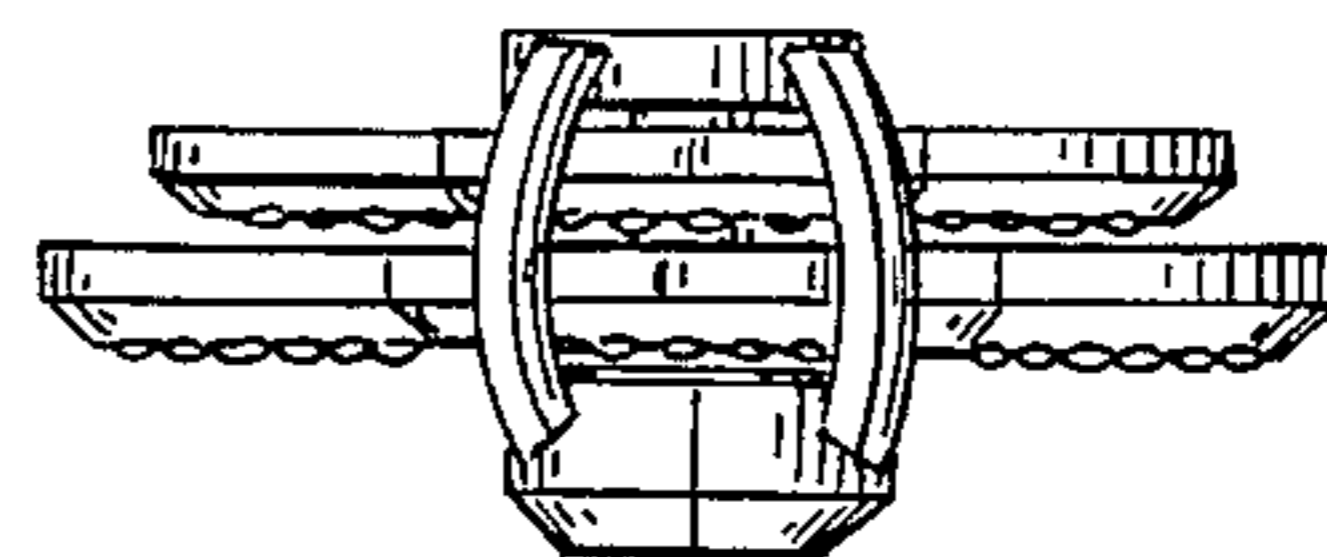


FIG. 6