

[54] MOUNTING CLIP FOR RELEASABLY  
RETAINING AN ELECTRIC LAMP  
CONTROL UNIT OR SIMILAR ARTICLE

[75] Inventor: Gary E. Will, Macungie, Pa.

[73] Assignee: Lutron Electronics Co., Inc.,  
Coopersburg, Pa.

[\*\*] Term: 14 Years

[21] Appl. No.: 844,300

[22] Filed: Mar. 13, 1986

[52] U.S. Cl. .... D8/373; D25/119

[58] Field of Search ..... D8/373; 248/316.7, 231.8,  
248/251, DIG. 6; D25/119; 114/364

[56] References Cited

U.S. PATENT DOCUMENTS

D. 228,177	8/1973	LaBorde	.....	D25/119 X
D. 251,806	5/1979	Brady	.....	D25/119
D. 290,404	6/1987	Stoler	.....	D25/119
1,943,168	1/1934	Doppel	.....	D25/119 X
2,007,354	7/1935	Vass	.....	D25/119 X

2,123,366	7/1938	Kehr et al.	.....	D25/119 X
2,670,532	3/1954	Lorentzen	.....	160/177 X
3,127,960	4/1964	Smith et al.	.....	D25/119 X
4,609,119	9/1986	Richter, Sr.	.....	248/DIG. 6 X
4,723,746	2/1988	Gould et al.	.....	248/DIG. 6 X

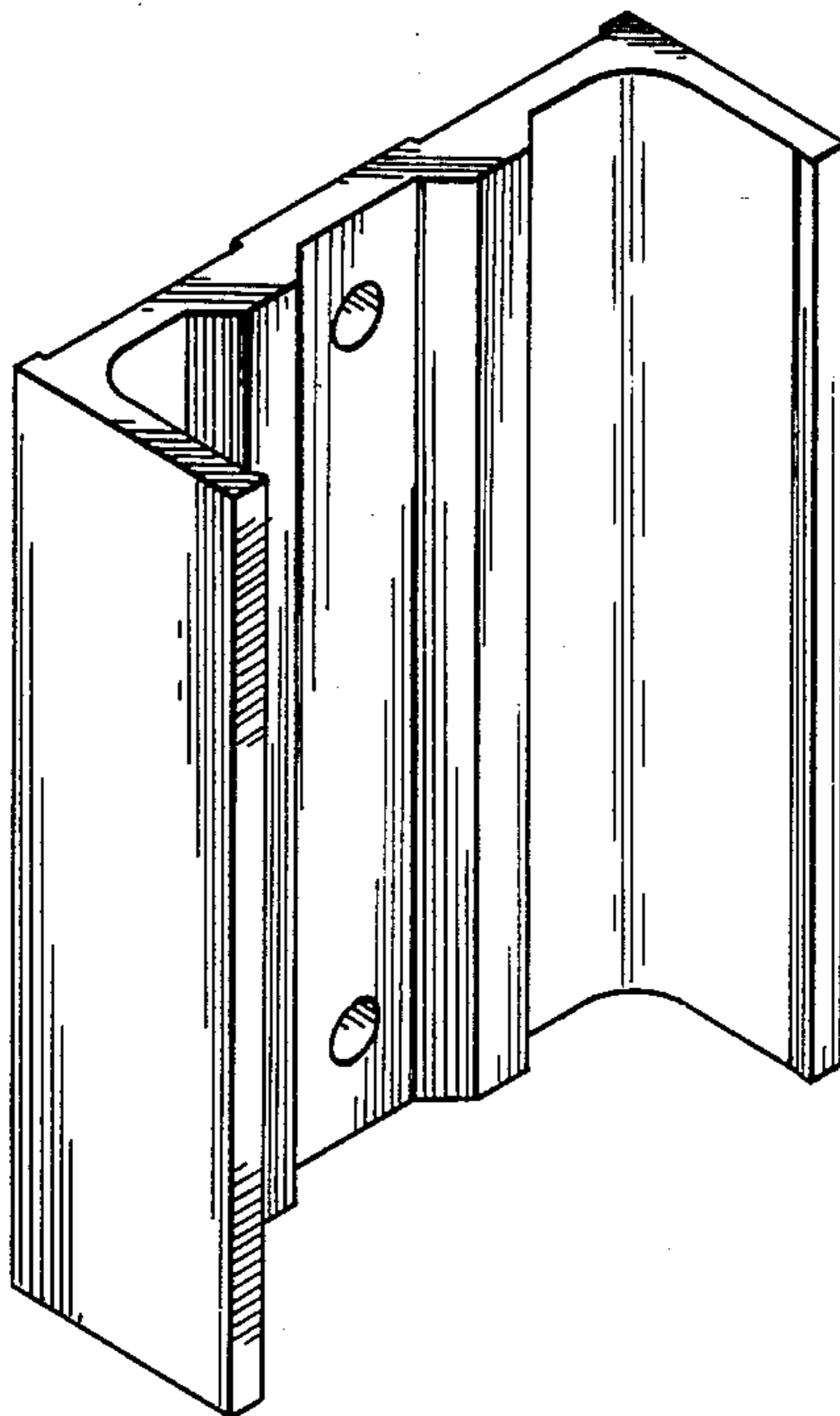
Primary Examiner—Horace B. Fay, Jr.  
Attorney, Agent, or Firm—Seidel, Gonda, Lavorgna &  
Monaco

[57] CLAIM

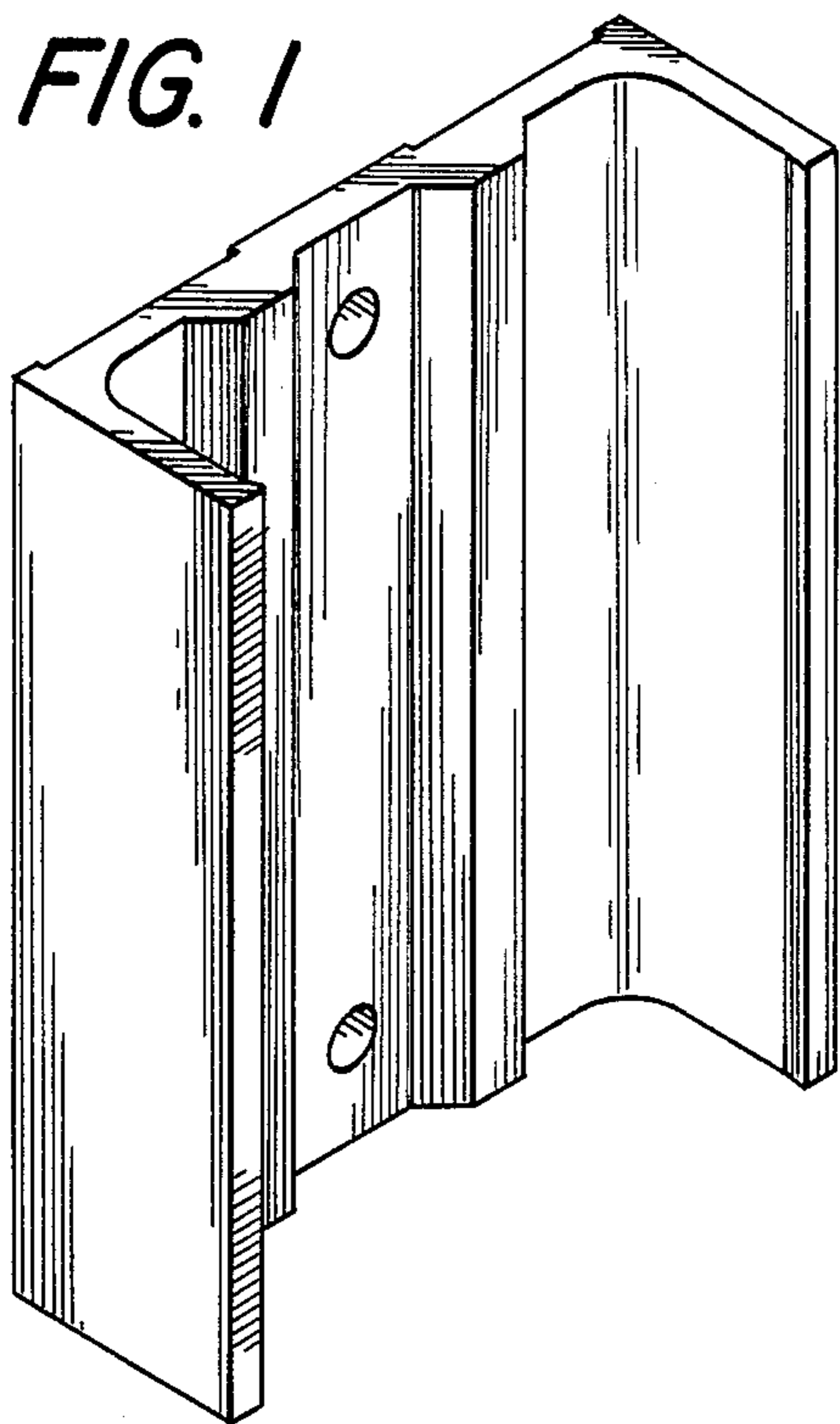
The ornamental design for mounting clip for releasably retaining an electric lamp control unit or similar articles, as shown and described.

DESCRIPTION

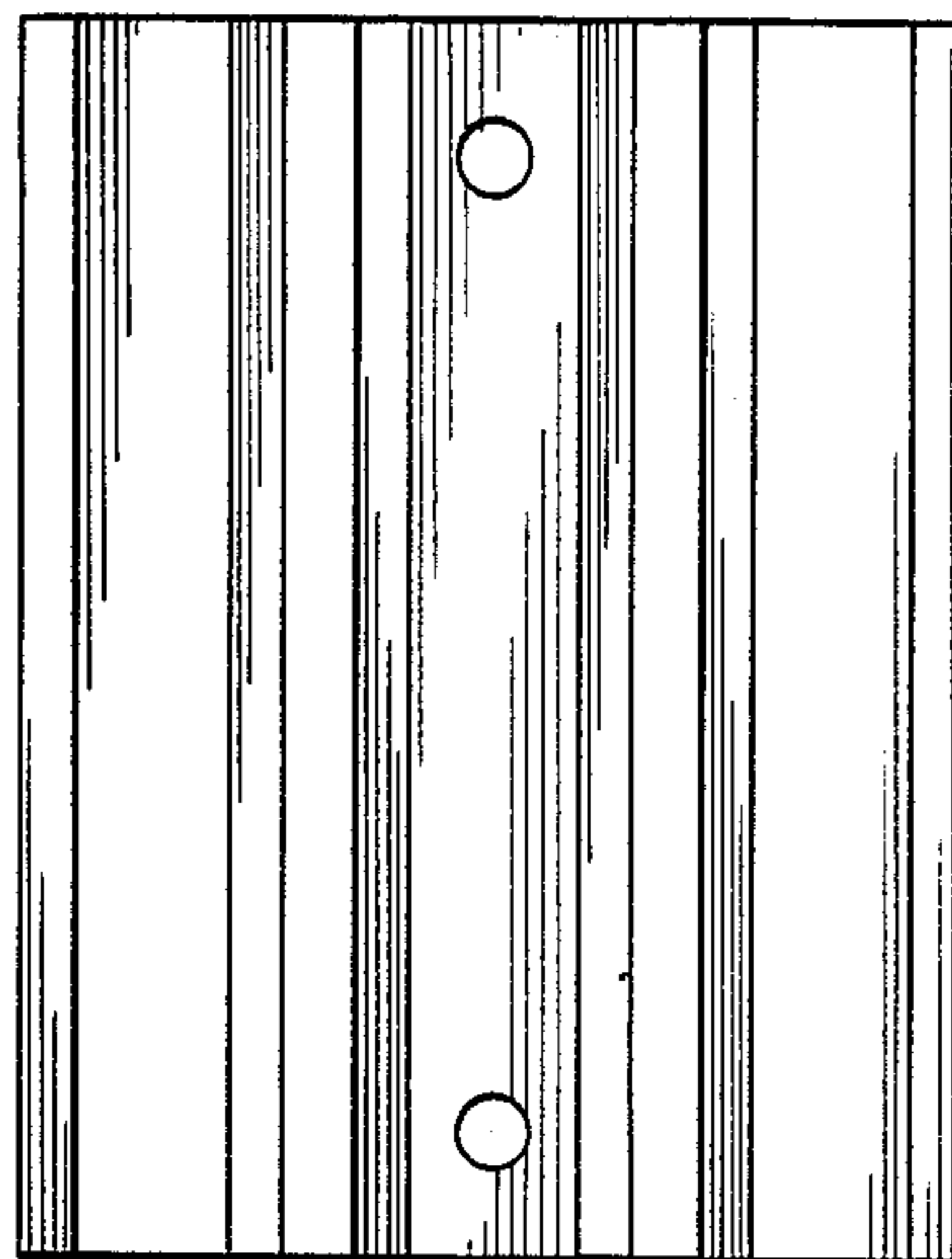
FIG. 1 is a left side, top and front perspective view of a mounting clip for releasably retaining an electric lamp control unit or similar article showing my new design; FIGS. 2 and 3 are respectively front and rear elevational views thereof; FIG. 4 is a side elevation view thereof, the opposite side being a mirror image; and FIG. 5 is a top plan view thereof, the bottom plan view being a mirror image.



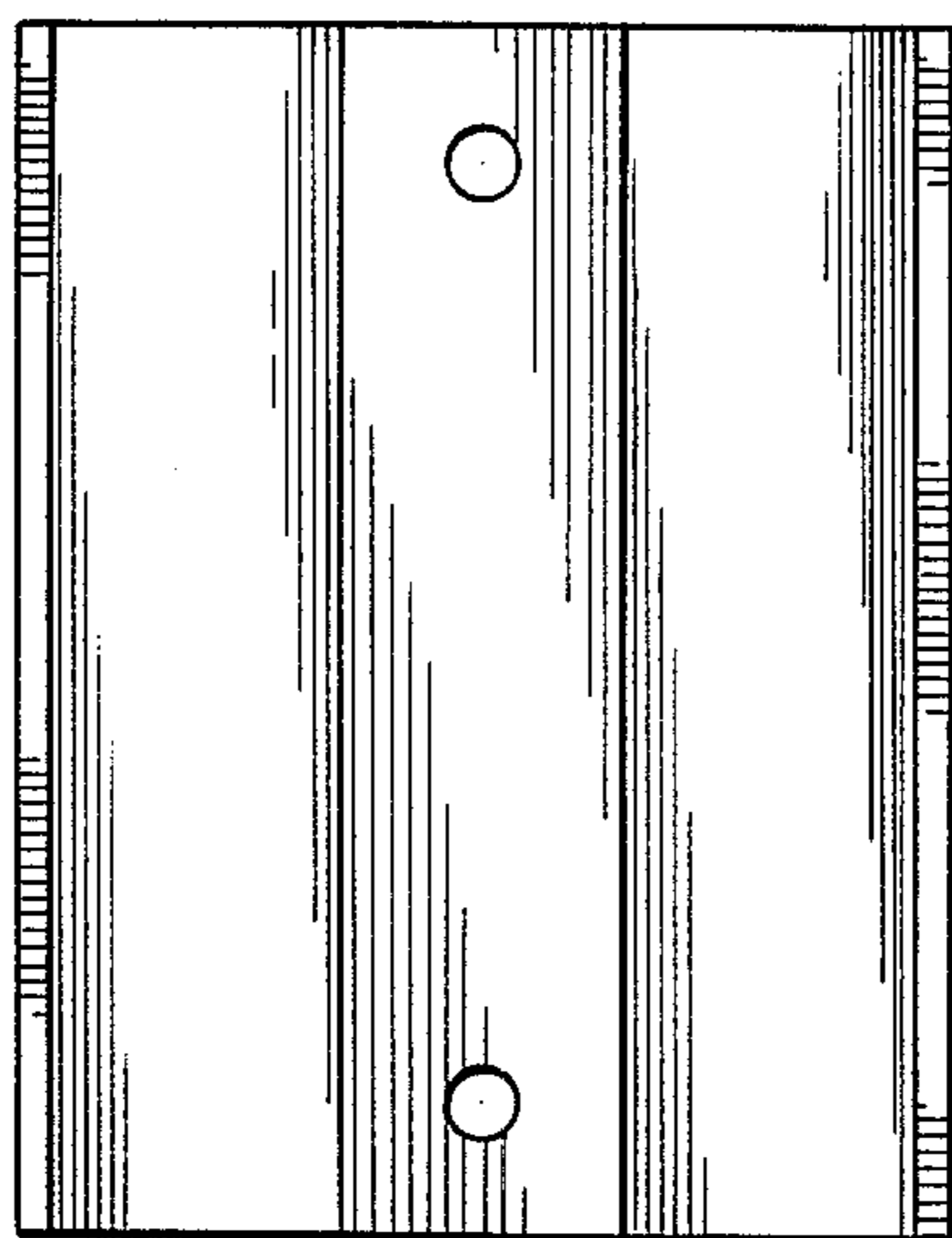
*FIG. 1*



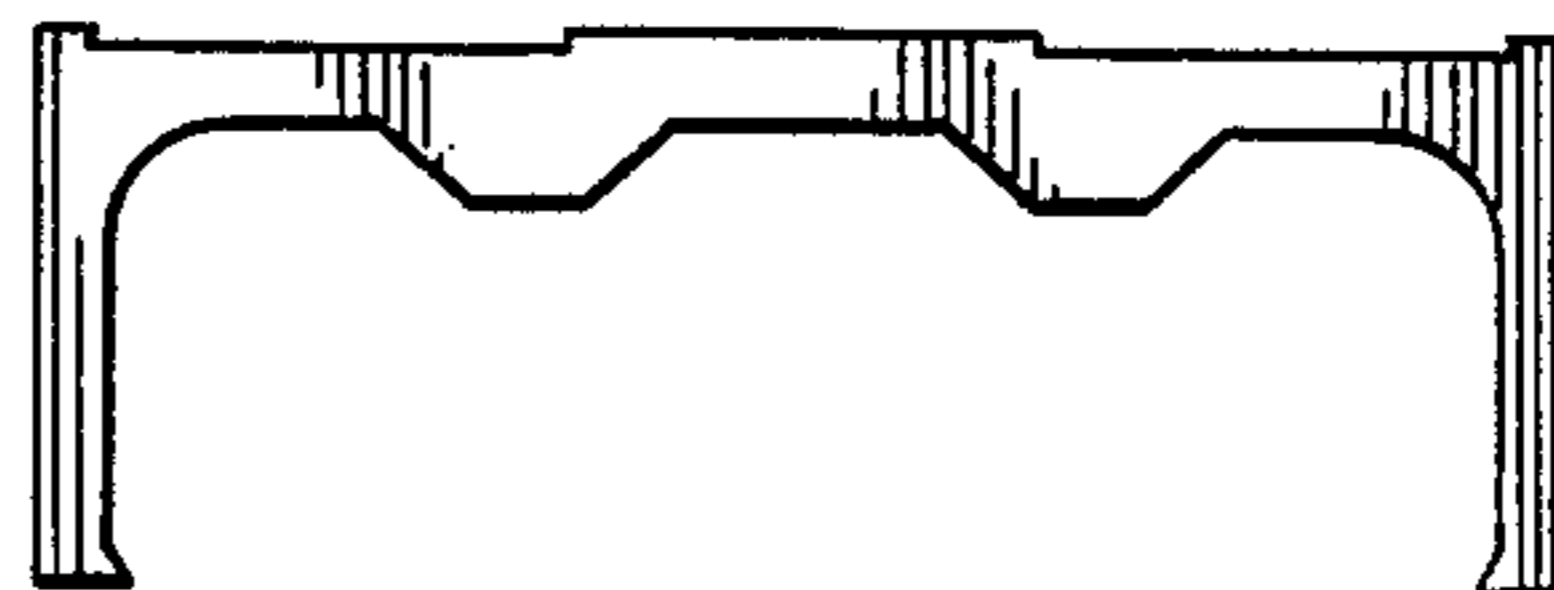
*FIG. 2*



*FIG. 4*



*FIG. 3*



*FIG. 5*