

[54] ANCHOR ROPE GUARD

[76] Inventor: Robert J. Hoover, Rte. 7, Box 352A, Spartanburg, S.C. 29303

[**] Term: 14 Years

[21] Appl. No.: 856,130

[22] Filed: Apr. 21, 1986

[52] U.S. Cl. D8/356; D12/317

[58] Field of Search D8/373, 356, 354; 248/345.1; 114/364, 179, 200; D12/317

[56] References Cited

U.S. PATENT DOCUMENTS

D. 164,134	7/1951	Rogant	D8/356 X
D. 180,300	5/1957	Stewart	D8/356
D. 215,141	9/1969	Harmsen	D8/354
D. 227,216	6/1973	Cleat	D8/356
D. 230,704	3/1974	Mulkey	D8/356
D. 247,216	2/1978	Mathews	D8/356
D. 270,879	10/1983	Jacobson	D8/367 X
D. 274,037	5/1984	Cream et al.	D8/373
D. 274,487	7/1984	Eads	D8/356

D. 281,221	11/1985	Edmenston	D8/356
D. 281,576	12/1985	Akers	D8/373

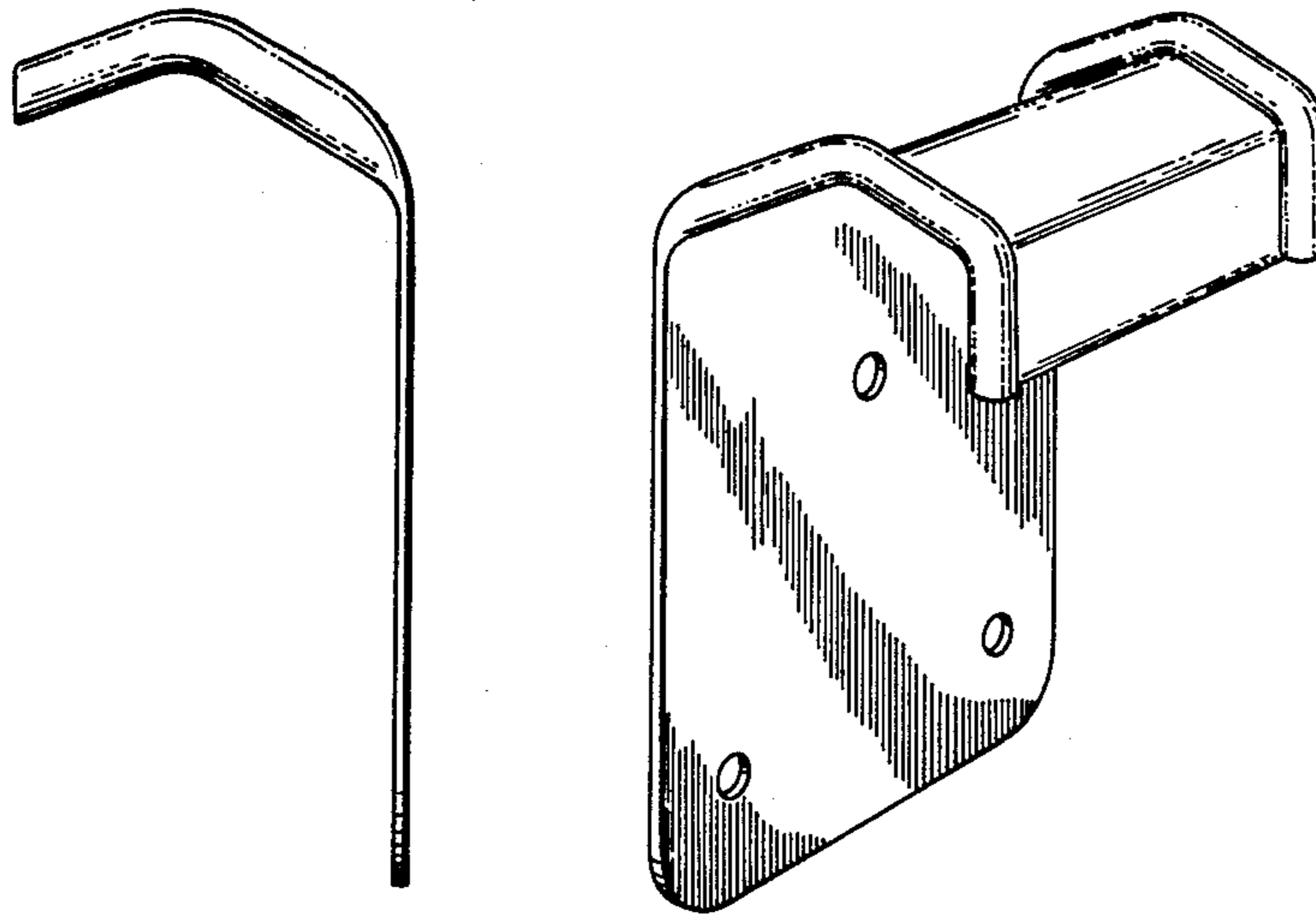
Primary Examiner—Horace B. Fay, Jr.
Attorney, Agent, or Firm—Dority & Manning

[57] CLAIM

The ornamental design for anchor rope guard, as shown and described.

DESCRIPTION

FIG. 1 is a rear elevational view of an anchor rope guard showing my new design; FIG. 2 is a side elevational view thereof; FIG. 3 is a front elevational view thereof; FIG. 4 is a side elevational view opposite to FIG. 2; FIG. 5 is a top plan view thereof; FIG. 6 is a bottom plan view thereof; and FIG. 7 is a left side, top and front isometric view of a second embodiment thereof, the sole difference from the first embodiment being the vertically dependent hook-like panel shown in FIG. 7, and it is understood to be otherwise similar, in all views, to the first embodiment except for that difference.



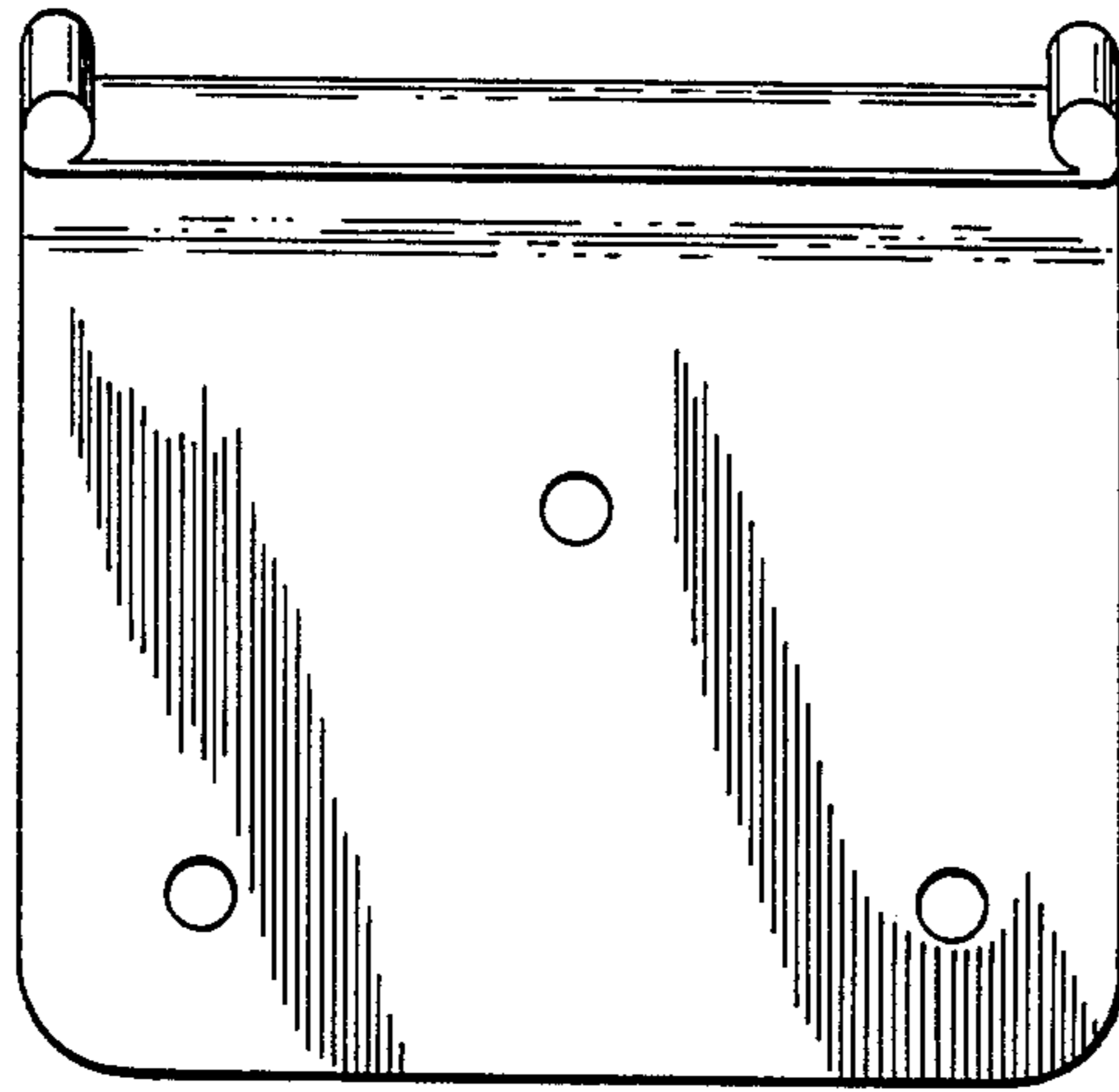


Fig. 1

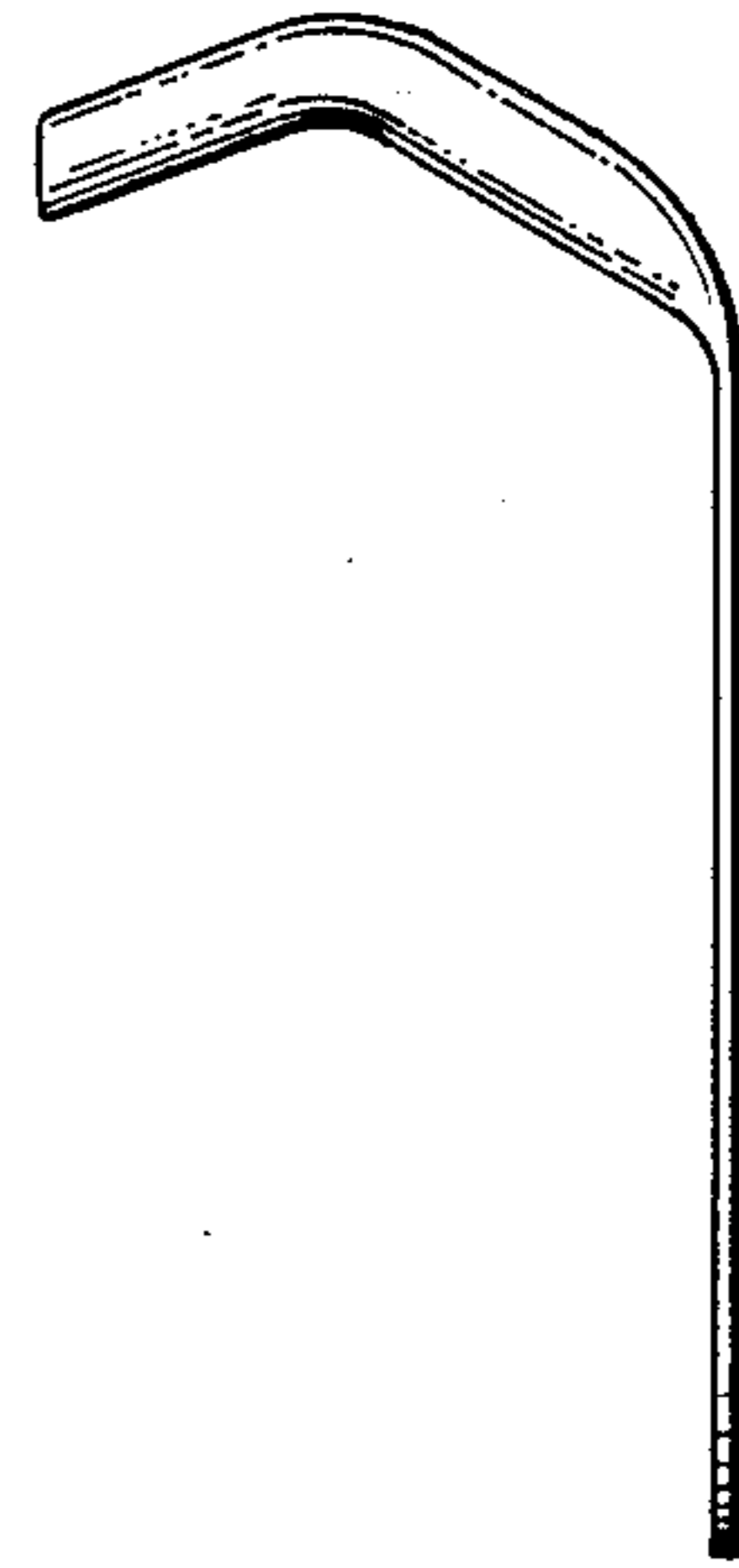


Fig. 2

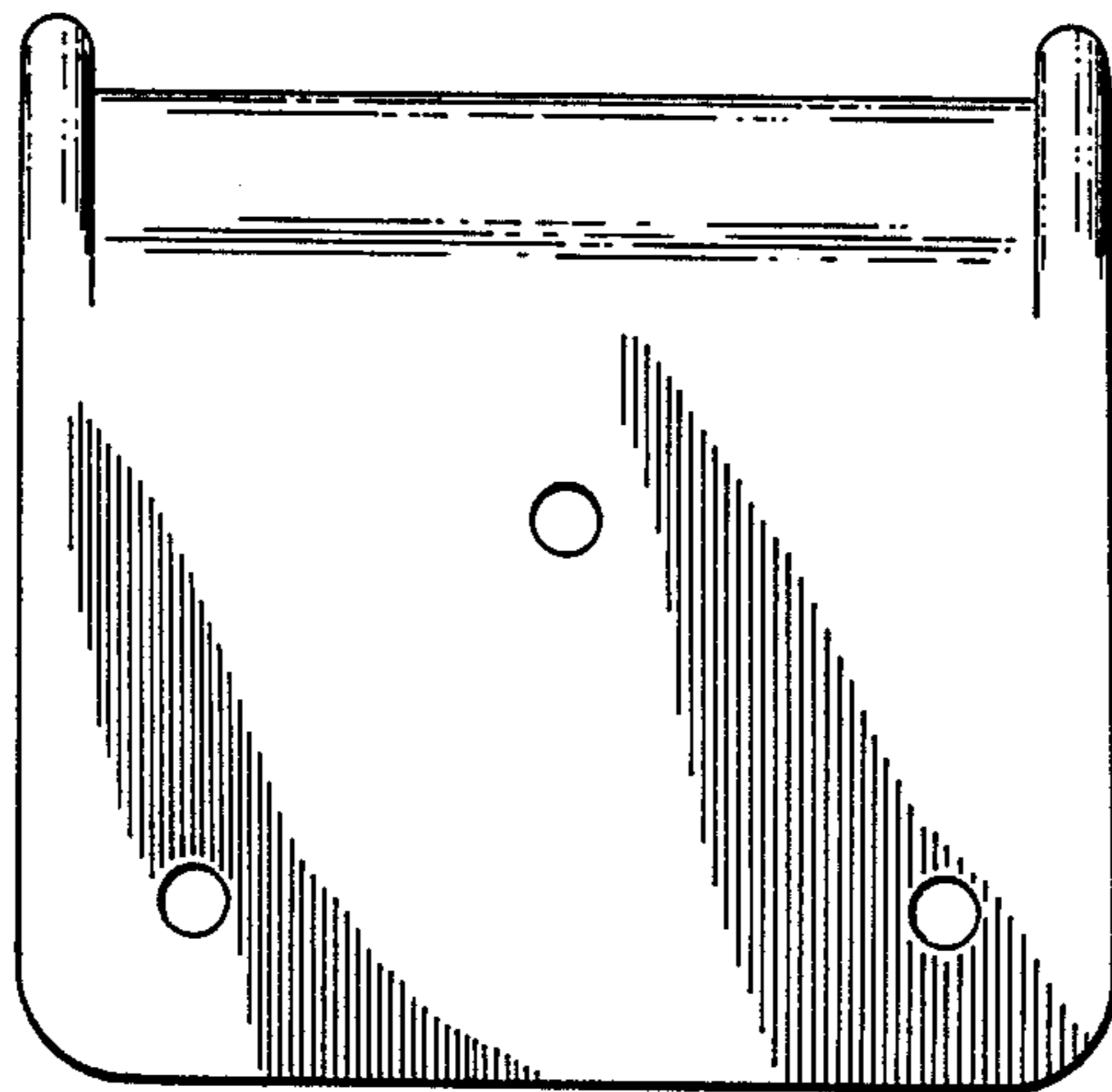


Fig. 3

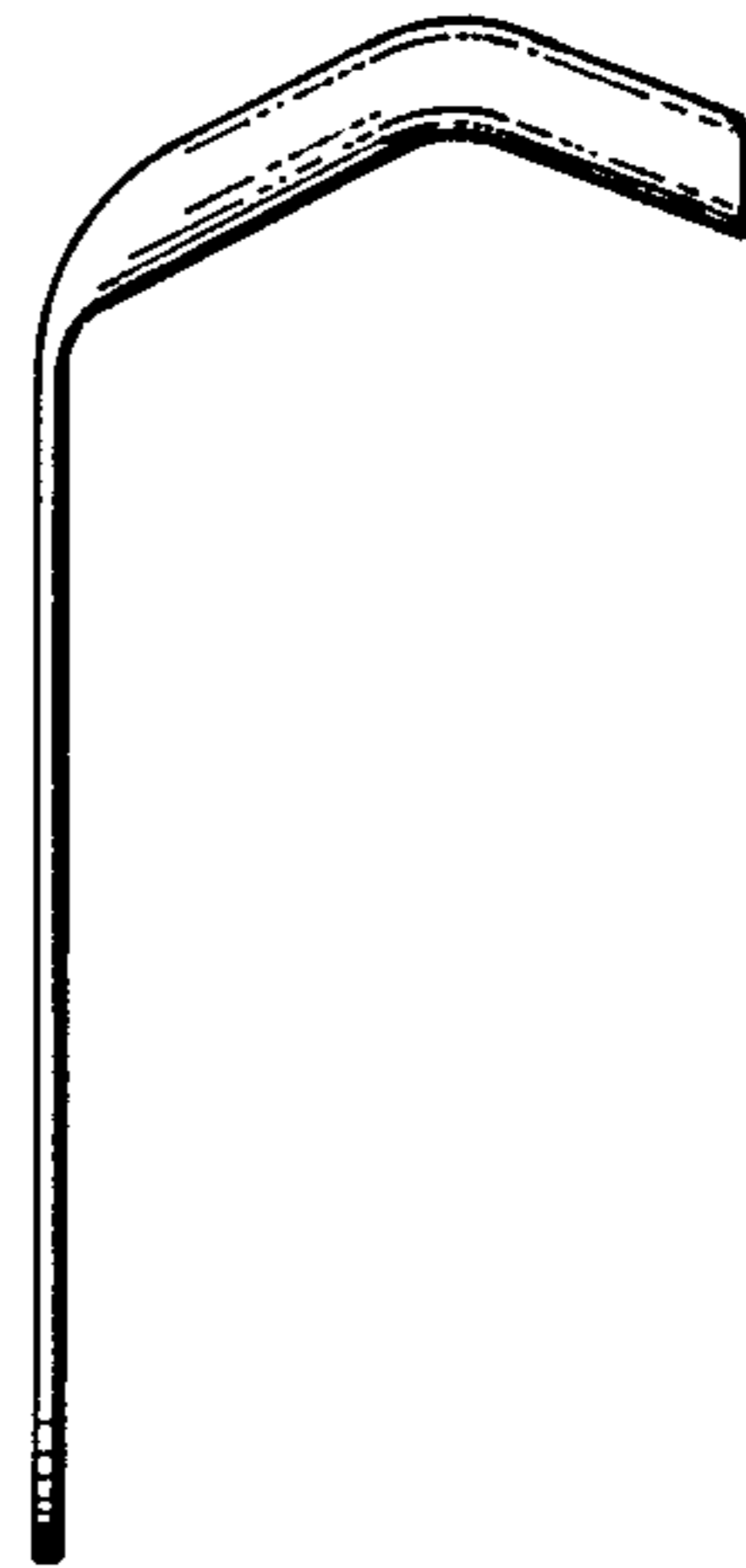


Fig. 4

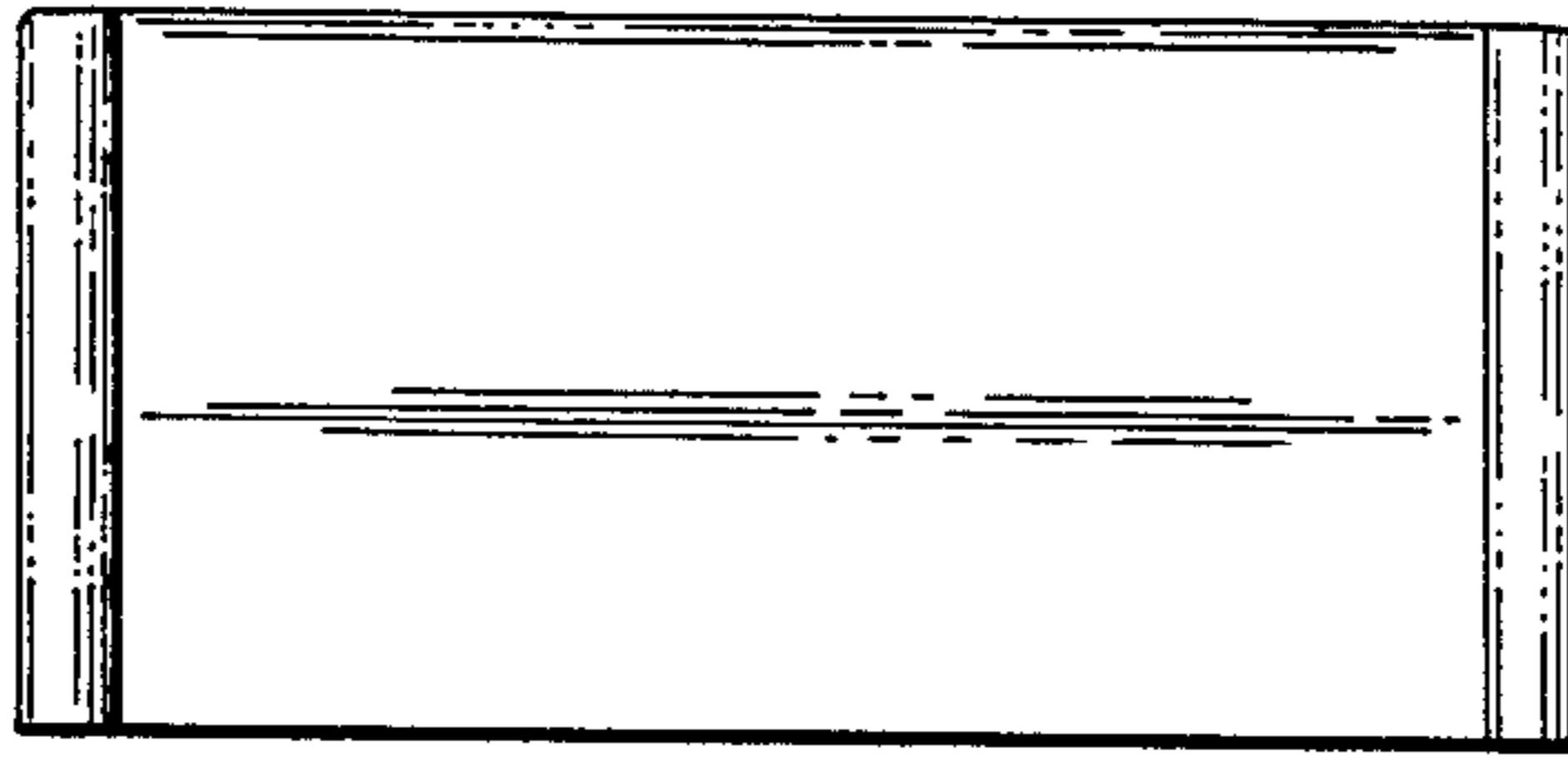


Fig. 5

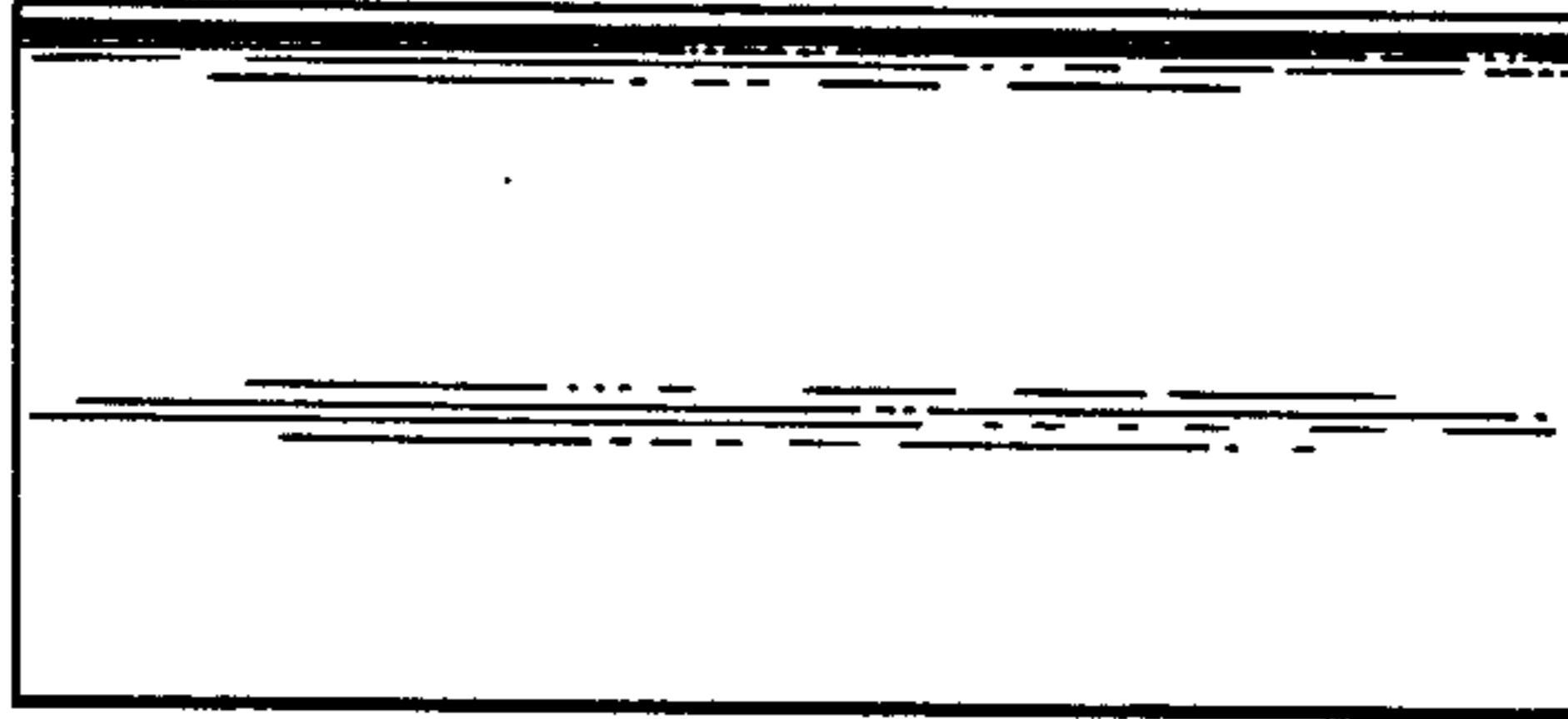


Fig. 6

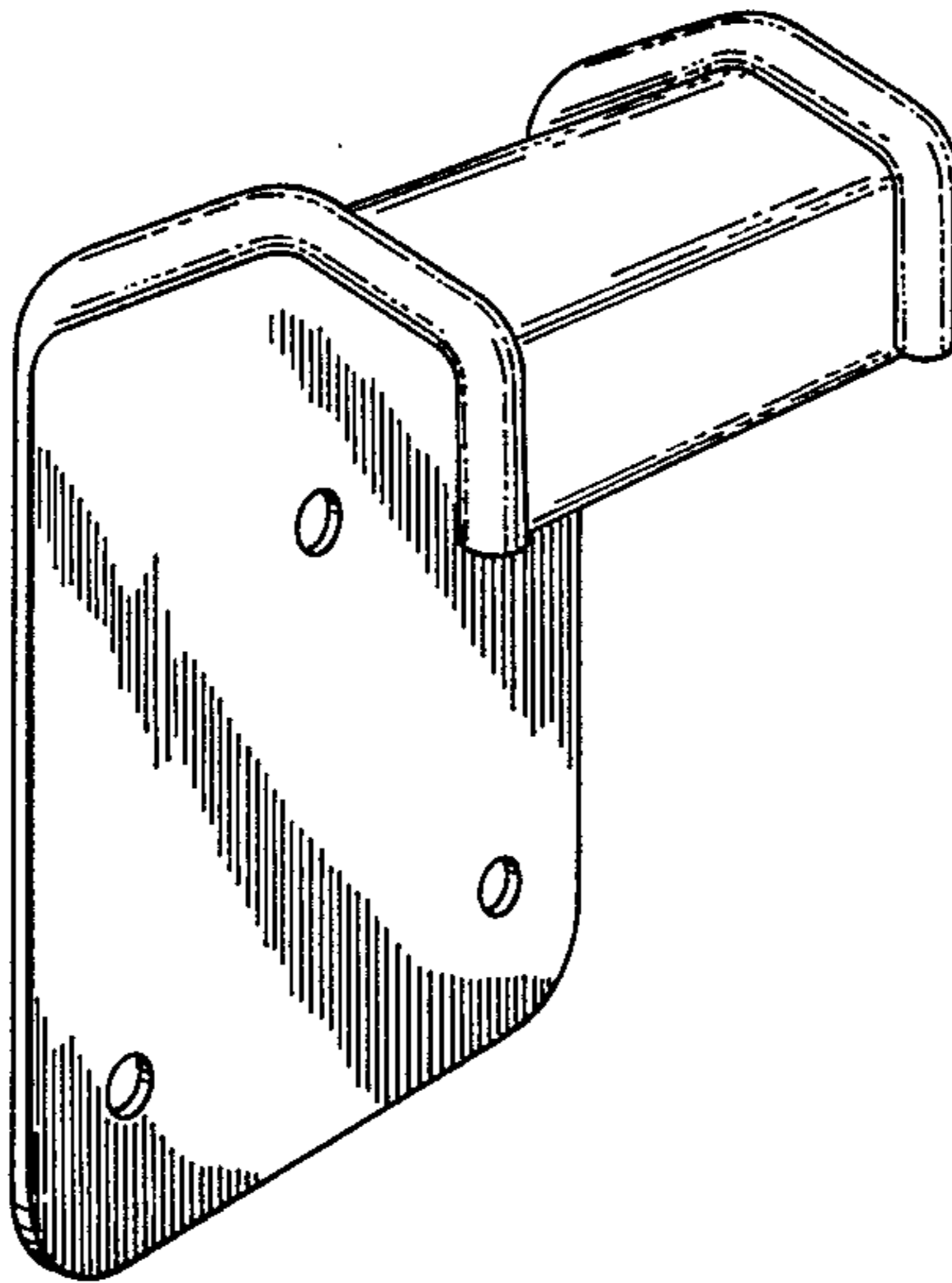


Fig. 7